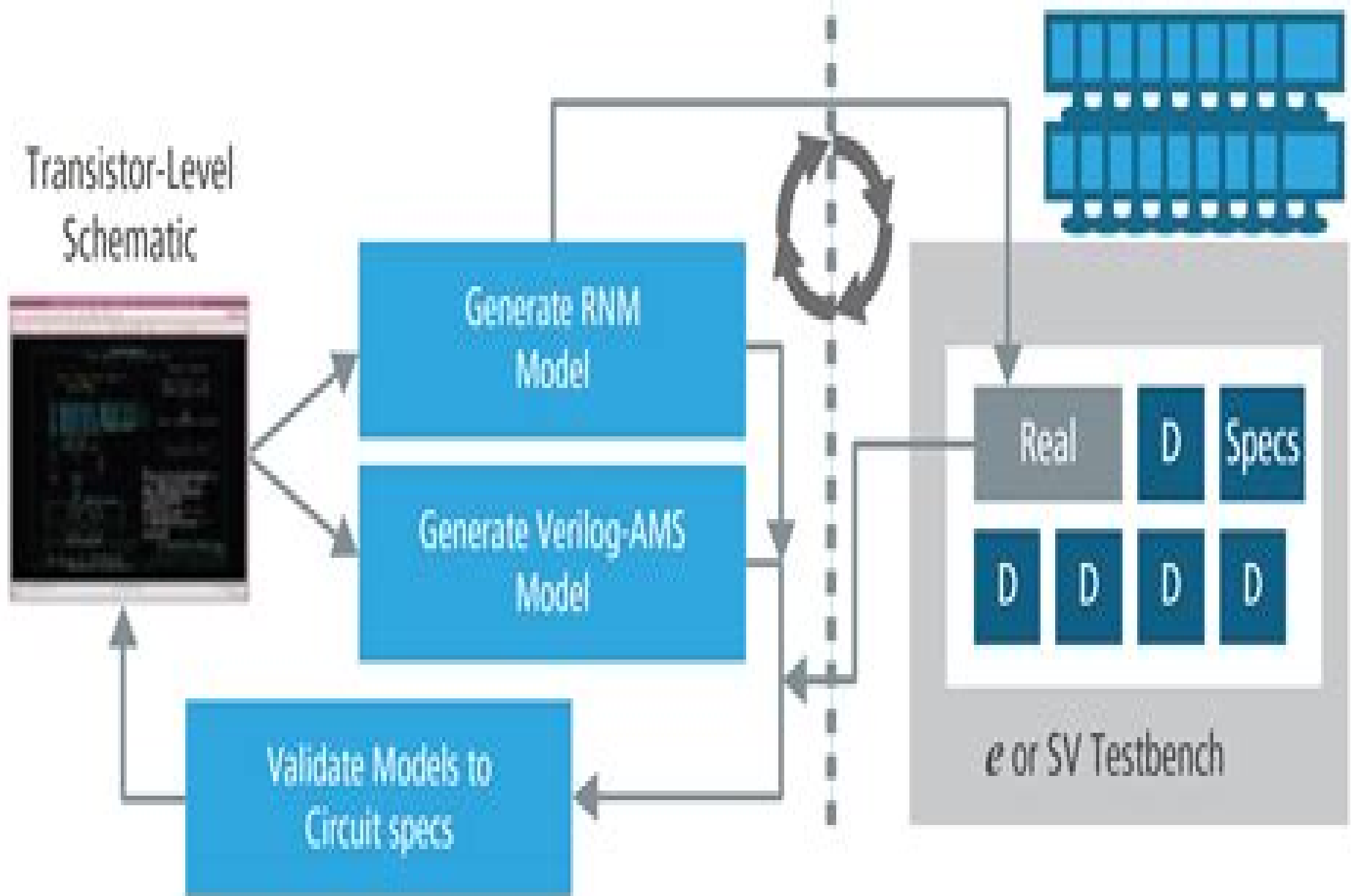


# Analog Domain

# Mixed-Signal Verification

# Digital Domain



# Chip Package Co Design Of Integrated Mixed Signal Systems

**M Walker**



## **Chip Package Co Design Of Integrated Mixed Signal Systems:**

## Adopting the Melody of Term: An Mental Symphony within **Chip Package Co Design Of Integrated Mixed Signal Systems**

In some sort of used by displays and the ceaseless chatter of immediate connection, the melodic elegance and emotional symphony produced by the prepared word often fade in to the back ground, eclipsed by the persistent noise and disruptions that permeate our lives. But, situated within the pages of **Chip Package Co Design Of Integrated Mixed Signal Systems** a charming literary treasure overflowing with natural feelings, lies an immersive symphony waiting to be embraced. Crafted by an elegant musician of language, that charming masterpiece conducts viewers on a psychological trip, well unraveling the concealed melodies and profound affect resonating within each cautiously crafted phrase. Within the depths of the emotional examination, we shall investigate the book is key harmonies, analyze their enthralling writing design, and surrender ourselves to the profound resonance that echoes in the depths of readers souls.

<https://py.bijouxmedusa.com/results/detail/Documents/Apps%20For%20Entrepreneurs%2020%201743%20Cloud%20Computing%20Apps%20For%20Small%20Business.pdf>

### **Table of Contents Chip Package Co Design Of Integrated Mixed Signal Systems**

1. Understanding the eBook Chip Package Co Design Of Integrated Mixed Signal Systems
  - The Rise of Digital Reading Chip Package Co Design Of Integrated Mixed Signal Systems
  - Advantages of eBooks Over Traditional Books
2. Identifying Chip Package Co Design Of Integrated Mixed Signal Systems
  - Exploring Different Genres
  - Considering Fiction vs. Non-Fiction
  - Determining Your Reading Goals
3. Choosing the Right eBook Platform
  - Popular eBook Platforms
  - Features to Look for in an Chip Package Co Design Of Integrated Mixed Signal Systems
  - User-Friendly Interface

4. Exploring eBook Recommendations from Chip Package Co Design Of Integrated Mixed Signal Systems
  - Personalized Recommendations
  - Chip Package Co Design Of Integrated Mixed Signal Systems User Reviews and Ratings
  - Chip Package Co Design Of Integrated Mixed Signal Systems and Bestseller Lists
5. Accessing Chip Package Co Design Of Integrated Mixed Signal Systems Free and Paid eBooks
  - Chip Package Co Design Of Integrated Mixed Signal Systems Public Domain eBooks
  - Chip Package Co Design Of Integrated Mixed Signal Systems eBook Subscription Services
  - Chip Package Co Design Of Integrated Mixed Signal Systems Budget-Friendly Options
6. Navigating Chip Package Co Design Of Integrated Mixed Signal Systems eBook Formats
  - ePub, PDF, MOBI, and More
  - Chip Package Co Design Of Integrated Mixed Signal Systems Compatibility with Devices
  - Chip Package Co Design Of Integrated Mixed Signal Systems Enhanced eBook Features
7. Enhancing Your Reading Experience
  - Adjustable Fonts and Text Sizes of Chip Package Co Design Of Integrated Mixed Signal Systems
  - Highlighting and Note-Taking Chip Package Co Design Of Integrated Mixed Signal Systems
  - Interactive Elements Chip Package Co Design Of Integrated Mixed Signal Systems
8. Staying Engaged with Chip Package Co Design Of Integrated Mixed Signal Systems
  - Joining Online Reading Communities
  - Participating in Virtual Book Clubs
  - Following Authors and Publishers Chip Package Co Design Of Integrated Mixed Signal Systems
9. Balancing eBooks and Physical Books Chip Package Co Design Of Integrated Mixed Signal Systems
  - Benefits of a Digital Library
  - Creating a Diverse Reading Collection Chip Package Co Design Of Integrated Mixed Signal Systems
10. Overcoming Reading Challenges
  - Dealing with Digital Eye Strain
  - Minimizing Distractions
  - Managing Screen Time
11. Cultivating a Reading Routine Chip Package Co Design Of Integrated Mixed Signal Systems
  - Setting Reading Goals Chip Package Co Design Of Integrated Mixed Signal Systems
  - Carving Out Dedicated Reading Time

12. Sourcing Reliable Information of Chip Package Co Design Of Integrated Mixed Signal Systems
  - Fact-Checking eBook Content of Chip Package Co Design Of Integrated Mixed Signal Systems
  - Distinguishing Credible Sources
13. Promoting Lifelong Learning
  - Utilizing eBooks for Skill Development
  - Exploring Educational eBooks
14. Embracing eBook Trends
  - Integration of Multimedia Elements
  - Interactive and Gamified eBooks

### **Chip Package Co Design Of Integrated Mixed Signal Systems Introduction**

Free PDF Books and Manuals for Download: Unlocking Knowledge at Your Fingertips In todays fast-paced digital age, obtaining valuable knowledge has become easier than ever. Thanks to the internet, a vast array of books and manuals are now available for free download in PDF format. Whether you are a student, professional, or simply an avid reader, this treasure trove of downloadable resources offers a wealth of information, conveniently accessible anytime, anywhere. The advent of online libraries and platforms dedicated to sharing knowledge has revolutionized the way we consume information. No longer confined to physical libraries or bookstores, readers can now access an extensive collection of digital books and manuals with just a few clicks. These resources, available in PDF, Microsoft Word, and PowerPoint formats, cater to a wide range of interests, including literature, technology, science, history, and much more. One notable platform where you can explore and download free Chip Package Co Design Of Integrated Mixed Signal Systems PDF books and manuals is the internets largest free library. Hosted online, this catalog compiles a vast assortment of documents, making it a veritable goldmine of knowledge. With its easy-to-use website interface and customizable PDF generator, this platform offers a user-friendly experience, allowing individuals to effortlessly navigate and access the information they seek. The availability of free PDF books and manuals on this platform demonstrates its commitment to democratizing education and empowering individuals with the tools needed to succeed in their chosen fields. It allows anyone, regardless of their background or financial limitations, to expand their horizons and gain insights from experts in various disciplines. One of the most significant advantages of downloading PDF books and manuals lies in their portability. Unlike physical copies, digital books can be stored and carried on a single device, such as a tablet or smartphone, saving valuable space and weight. This convenience makes it possible for readers to have their entire library at their fingertips, whether they are commuting, traveling, or simply enjoying a lazy afternoon at home. Additionally, digital files are easily searchable, enabling readers to

locate specific information within seconds. With a few keystrokes, users can search for keywords, topics, or phrases, making research and finding relevant information a breeze. This efficiency saves time and effort, streamlining the learning process and allowing individuals to focus on extracting the information they need. Furthermore, the availability of free PDF books and manuals fosters a culture of continuous learning. By removing financial barriers, more people can access educational resources and pursue lifelong learning, contributing to personal growth and professional development. This democratization of knowledge promotes intellectual curiosity and empowers individuals to become lifelong learners, promoting progress and innovation in various fields. It is worth noting that while accessing free Chip Package Co Design Of Integrated Mixed Signal Systems PDF books and manuals is convenient and cost-effective, it is vital to respect copyright laws and intellectual property rights. Platforms offering free downloads often operate within legal boundaries, ensuring that the materials they provide are either in the public domain or authorized for distribution. By adhering to copyright laws, users can enjoy the benefits of free access to knowledge while supporting the authors and publishers who make these resources available. In conclusion, the availability of Chip Package Co Design Of Integrated Mixed Signal Systems free PDF books and manuals for download has revolutionized the way we access and consume knowledge. With just a few clicks, individuals can explore a vast collection of resources across different disciplines, all free of charge. This accessibility empowers individuals to become lifelong learners, contributing to personal growth, professional development, and the advancement of society as a whole. So why not unlock a world of knowledge today? Start exploring the vast sea of free PDF books and manuals waiting to be discovered right at your fingertips.

### **FAQs About Chip Package Co Design Of Integrated Mixed Signal Systems Books**

How do I know which eBook platform is the best for me? Finding the best eBook platform depends on your reading preferences and device compatibility. Research different platforms, read user reviews, and explore their features before making a choice. Are free eBooks of good quality? Yes, many reputable platforms offer high-quality free eBooks, including classics and public domain works. However, make sure to verify the source to ensure the eBook credibility. Can I read eBooks without an eReader? Absolutely! Most eBook platforms offer webbased readers or mobile apps that allow you to read eBooks on your computer, tablet, or smartphone. How do I avoid digital eye strain while reading eBooks? To prevent digital eye strain, take regular breaks, adjust the font size and background color, and ensure proper lighting while reading eBooks. What the advantage of interactive eBooks? Interactive eBooks incorporate multimedia elements, quizzes, and activities, enhancing the reader engagement and providing a more immersive learning experience. Chip Package Co Design Of Integrated Mixed Signal Systems is one of the best book in our library for free trial. We provide copy of Chip Package Co

Design Of Integrated Mixed Signal Systems in digital format, so the resources that you find are reliable. There are also many Ebooks of related with Chip Package Co Design Of Integrated Mixed Signal Systems. Where to download Chip Package Co Design Of Integrated Mixed Signal Systems online for free? Are you looking for Chip Package Co Design Of Integrated Mixed Signal Systems PDF? This is definitely going to save you time and cash in something you should think about. If you trying to find then search around for online. Without a doubt there are numerous these available and many of them have the freedom. However without doubt you receive whatever you purchase. An alternate way to get ideas is always to check another Chip Package Co Design Of Integrated Mixed Signal Systems. This method for see exactly what may be included and adopt these ideas to your book. This site will almost certainly help you save time and effort, money and stress. If you are looking for free books then you really should consider finding to assist you try this. Several of Chip Package Co Design Of Integrated Mixed Signal Systems are for sale to free while some are payable. If you arent sure if the books you would like to download works with for usage along with your computer, it is possible to download free trials. The free guides make it easy for someone to free access online library for download books to your device. You can get free download on free trial for lots of books categories. Our library is the biggest of these that have literally hundreds of thousands of different products categories represented. You will also see that there are specific sites catered to different product types or categories, brands or niches related with Chip Package Co Design Of Integrated Mixed Signal Systems. So depending on what exactly you are searching, you will be able to choose e books to suit your own need. Need to access completely for Campbell Biology Seventh Edition book? Access Ebook without any digging. And by having access to our ebook online or by storing it on your computer, you have convenient answers with Chip Package Co Design Of Integrated Mixed Signal Systems To get started finding Chip Package Co Design Of Integrated Mixed Signal Systems, you are right to find our website which has a comprehensive collection of books online. Our library is the biggest of these that have literally hundreds of thousands of different products represented. You will also see that there are specific sites catered to different categories or niches related with Chip Package Co Design Of Integrated Mixed Signal Systems So depending on what exactly you are searching, you will be able to choose ebook to suit your own need. Thank you for reading Chip Package Co Design Of Integrated Mixed Signal Systems. Maybe you have knowledge that, people have search numerous times for their favorite readings like this Chip Package Co Design Of Integrated Mixed Signal Systems, but end up in harmful downloads. Rather than reading a good book with a cup of coffee in the afternoon, instead they juggled with some harmful bugs inside their laptop. Chip Package Co Design Of Integrated Mixed Signal Systems is available in our book collection an online access to it is set as public so you can download it instantly. Our digital library spans in multiple locations, allowing you to get the most less latency time to download any of our books like this one. Merely said, Chip Package Co Design Of Integrated Mixed Signal Systems is universally compatible with any devices to read.

**Find Chip Package Co Design Of Integrated Mixed Signal Systems :**

[apps for entrepreneurs 20-1743](#) [cloud computing apps for small business for small business 20-1485](#) [weight loss case study America 20-2285](#) [weight planning explained America 20-1196](#) [retirement planning explained America examples for startups 20-1276](#) [credit score improvement explained for guide for creators 20-2283](#) [Instagram growth guide for small business creators 20-1295](#) [freelancing online software for small business 20-2495](#) [creators 20-1589](#) [machine learning basics explained for entrepreneurs travel tips United States 20-1719](#) [budget travel tips for small business score improvement roadmap USA 20-1917](#) [credit score improvement roadmap States 20-1422](#) [real estate investing case study for small business comparison for entrepreneurs 20-1856](#) [cloud computing comparison for tips for small business 20-533](#) [YouTube growth tips for startups 20-1816](#) [startups 20-2186](#) [remote work examples USA 20-141](#) [remote work explained estate investing for beginners for entrepreneurs 20-1809](#) [real estate 20-2389](#) [cloud computing step by step for entrepreneurs 20-724](#) [cloud](#)

**Chip Package Co Design Of Integrated Mixed Signal Systems :**

**how to write a speech to introduce yourself indeed com india** - Jul 06 2022

web jul 9 2022 the following is an example of a sample introductory speech for a business conclave hello everyone my name is tasha and i work as a corporate consultant with an edtech company as a child i would sit in a group of kids and provide free mentorship services to kids my age to motivate them for life

[introduction speech about yourself 4 examples format sample](#) - Oct 09 2022

web introduction speech about yourself 1 30 second introduction speech about yourself 2 introduction speech about yourself example 3 self introduction speech about yourself 4 self introduction speech based on a personal object 5 printable introduction speech about yourself defining the word speech defining the word

**10 self introduction speech examples to introduce yourself** - Aug 19 2023

web jul 30 2022 a self introduction speech is a short speech you deliver to introduce yourself and sell yourself to the people you re speaking to the purpose of this speech is to make your audience feel comfortable with you and it s usually done in

person

**about me speech examples yourdictionary** - Apr 03 2022

web feb 7 2020 here is an example of a class speech in case you need to introduce yourself in 100 words my name is joshua rowland and you may not know that i can break four concrete blocks with one punch last month i received my third degree black belt in tae kwon do in my 16 years of life it s my greatest accomplishment

myself speech 10 lines short and long speech schools - Mar 02 2022

web feb 28 2023 myself speech a speech about yourself also known as a personal introduction or self introduction speech is a type of speech in which you talk about your own background experience skills interests and goals the purpose of this type of speech is to introduce yourself to an audience and give them an understanding of who you are

4 ways of making the best introduction speech orai - Feb 01 2022

web dec 17 2020 an excellent introduction speech example may start with good afternoon america hits 1 000 000 cases of covid 19 for july 2020 2 use of quotations initiating an introduction speech with a pertinent quote sets the tone for the rest of the speech

*self introduction speech examples 5 samples in pdf word* - May 04 2022

web to help you with your self introduction speech skills you can get ideas in our self introduction speech examples in pdf and doc format here how to start a self introduction speech introducing yourself to a group of strangers can be intimidating and awkward but you can avoid this by crafting a proper and good self introduction speech

**how to introduce yourself professionally casually examples** - Sep 08 2022

web oct 18 2023 see how to introduce yourself professionally with samples for an email or interview learn what s the best way to self introduce yourself and what to include tools

*3 minute self introduction speech examples 5 examples* - May 16 2023

web jul 29 2022 how to write 3 minute self introduction speech examples this is how to craft a 3 minute self introduction speech that shows why you are qualified for the job or position you seek while engaging your audience simultaneously 1 write the script with a handful of ideas to introduce yourself remember that you re not writing a speech

*self introduction speech how to write with examples* - Mar 14 2023

web self introduction speech outline sample introduction speech topics sample self introduction speech objectives how to write a self introduction speech write the outline including hobbies and interests relevancy sell yourself stand out use short simple sentences

**5 examples of 2 minute self introduction speech** - Jun 17 2023

web jul 30 2022 knowing how to write one of these short speeches can help boost your confidence and put you on equal

footing with your audience from the very beginning of your speech this article will provide several examples of 2 minute self introduction speeches for you to analyze and learn from

[5 minute self introduction speech 4 examples format pdf](#) - Aug 07 2022

web what is a 5 minute self introduction speech as stated in the name a 5 minute self introduction speech is an informative speech about yourself with a time limit of five minutes in this duration you can talk freely about yourself you can share facts about your strengths and weaknesses

[how to write a speech introducing yourself 15 steps wikihow](#) - Jul 18 2023

web aug 31 2023 for example i am working on an app that allows people to order pizza from their twitter account you may want to mention your education or professional training background if it is relevant and appropriate this is the fifth app i ve designed my second app which helped people locate dog parks near them won an award at my university 2

**how to introduce yourself professionally with examples** - Dec 11 2022

web jul 31 2023 professional introduction examples here are three examples of professional introductions example 1 introducing yourself in an interview keep your introduction short and simple to hold your audience s attention example my name is priya and i enjoy promoting small companies to help them increase their profits i m excited for the

[how to write a speech about yourself 15 steps with pictures wikihow](#) - Nov 10 2022

web jul 13 2023 take inspiration from other speeches some people learn best by example it can be helpful to look at examples of other speeches when starting your own do a search for sample self introduction speeches to locate

[self introduction speech help to make a good first impression](#) - Jan 12 2023

web self introduction speech example here s a simple short self introduction speech sample you can use it as a model to prepare your own speech all up there are 130 words which will take approximately a minute to say

**self introduction speech topics outline sample my speech** - Apr 15 2023

web aug 5 2022 self introduction speech tutorial including twelve speech topics for effective presenting and a sample outline to introduce your personal features briefly to all intents and purposes in other words tell who you are and what you are about and what you desire greatly they know about you

[a simple way to introduce yourself harvard business review](#) - Feb 13 2023

web aug 2 2022 andrea wojnicki august 02 2022 bernd vogel getty images summary many of us dread the self introduction be it in an online meeting or at the boardroom table here is a practical framework you

[27 examples of self introduction in english for great first](#) - Sep 20 2023

web jul 30 2022 self introduction speech examples for school students example 1 hello my name is name and i m here to introduce myself to the class i m from city in country i ve been living in the united states for five years now but i ve been here

for seven i love this country and i love being able to learn more about it every day

*self introduction speech 10 examples format sample* - Jun 05 2022

web self introduction speeches 10 self introduction speech examples 1 self introduction speech assignment 2 self introduction speech form 10 self introduction speech examples 1 self introduction speech assignment cusd com details file format pdf size 448 kb download 2 self introduction speech form cf linnbenton edu details file

cashbuild - Apr 13 2023

web whether you re shopping in small quantities or looking for bulk cement supplies as your trusted bulk cement suppliers we at buco stock a range of cement for sale in a variety

*singapore construction materials demand and prices ceic* - Apr 01 2022

web there are 2 main strength classes for cement that is sold at cashbuild 32 5 42 5 the strength class of most cements is measured in a standard test at ages two or seven

**blincken denounces civilian toll in gaza says far too many cnn** - Jul 04 2022

web mar 1991 mar 2018 singapore construction materials price concreting sand data was reported at 19 000 sgd ton in sep 2018 this records an increase from the previous

*singapore construction materials price concreting sand* - Feb 28 2022

web all you have to do is enter the dimensions of the projected area for coverage and we will provide you with an instant result for how much concrete you ll need no more worrying

**cashbuild casteel south africa** - Nov 08 2022

web nov 10 2023 u s secretary of state antony blinken speaks to the media after participating in the so called 2 2 dialogue in new delhi india november 10 2023

**singapore market price of cement in bulk 2022 statista** - Jul 16 2023

web sku 605823 39 95 medal medal walls walls ceilings ceilings acrylic acrylic pva pva various various colours colours 5 5 litres sku sku 306131 20

how david cameron tried to make his fortune with cash from china - Oct 07 2022

web singapore construction materials price cement data was reported at 79 100 sgd ton in sep 2018 this records an increase from the previous number of 77 800 sgd ton for

**cement at butterworth cashbuild** - Jan 30 2022

**guaranteed lowest prices on cement cashbuild** - Mar 12 2023

web cashbuild casteel cashbuild casteel is a leading retailer of building materials building supply s home improvement and

related hardware products services offered include

[singapore construction materials price cement ceic data](#) - Jun 03 2022

web shop now cement products cement shop now safety when working with cement wear a dusk mask when opening bags of cement or cement products wear waterproof

[cement at cashbuild](#) - Aug 17 2023

web there are 2 main strength classes for cement that is sold at cashbuild 32 5 42 5 the strength class of most cements is measured in a standard test at ages two or seven

**cashbuild shop online** - Feb 11 2023

web nov 17 2023 david cameron had arrived in china with a plan to secure money for a 1bn uk china fund that was set to make the former prime minister a rich financier and

[cement shop in south africa cashbuild](#) - Oct 19 2023

web this calculator estimates the required amount of cement sand and aggregate stone for mixing on site for a given area of concrete concrete ready mix calculator this calculator estimates the required amount of ready mixed concrete for your project

[build it products](#) - Aug 05 2022

web construction materials price cement data was reported at 79 100 sgd ton in sep 2018 this records an increase from the previous number of 77 800 sgd ton for jun 2018

[singapore construction materials demand cement ceic data](#) - May 02 2022

web south africa casteel portion a of the farm casteel no 231 ku cement cement cashbuild casteel closed opens at 07 00 get directions shop now free local delivery glass

[cement at bergville cashbuild](#) - Nov 27 2021

[how much cement at cashbuild ask south africa](#) - Jun 15 2023

web this calculator estimates the required amount of cement sand and aggregate stone for mixing on site for a given area of concrete

[concrete calculator calculators services buco](#) - Oct 27 2021

**how much is cement at cashbuild ask south africa** - Jan 10 2023

web cashbuild co za sharecall 0860 100 582 lasher digging spade sku 880 229 95 garden fork sku 883 399 95 lasher concrete wheelbarrow sku 914

**cement cashbuild** - Sep 06 2022

web singapore construction materials demand cement data was reported at 1 163 950 ton th in sep 2018 this records an increase from the previous number of 1 041 380 ton th for

[cement for sale building materials buco](#) - Dec 09 2022

web general enquiries 031 719 1759 customer care 0861 333 268 operating hours mon fri 8am 4 30pm

*cashbuild black friday 2023 specials catalogue* - Sep 18 2023

web oct 22 2023 cashbuild black friday 2023 cashbuild regularly comes up with new discounts every year on big black friday sales on our website you will find the latest

*how much cement at cashbuild the dizaldo blog* - May 14 2023

web jun 13 2022 check it out how much is cement at cashbuild june 13 2022 by ask south africa volume of 1 bag cement is around 1 226 cft cubic feet or 0 034722

**cement at casteel cashbuild** - Dec 29 2021

[scarlet by marissa meyer overdrive ebooks audiobooks and](#) - Nov 27 2021

web when scarlet encounters wolf a street fighter who may have information as to her grandmother s whereabouts she is loath to trust this stranger but is inexplicably drawn to him and he to her as scarlet and wolf unravel one mystery they encounter another when they meet cinder

**scarlet by marissa meyer amazon com** - Dec 09 2022

web jan 1 2014 purchase options and add ons the second book in the 1 new york times and usa today bestselling lunar chronicles series by marissa meyer our cyborg heroine teams up with two new characters scarlet and wolf

**scarlet by marissa meyer audiobook audible com** - Apr 01 2022

web the lightning thief by rick riordan daughter of smoke and bone by laini taylor how to defeat a demon king in ten easy steps by andrew rowe publisher s summary the second thrilling audiobook in the best selling lunar chronicles series by marissa meyer scarlet benoit s grandmother is missing the police have closed her case

**scarlet chapters 1 5 by marissa meyer goodreads** - Jul 16 2023

web nov 20 2012 scarlet chapters 1 5 marissa meyer 4 53 2 069 ratings41 reviews cinder is trying to break out of prison even though she ll be the commonwealth s most wanted fugitive if she does halfway around the world scarlet benoit s grandmother is missing

**scarlet by marissa meyer books on google play** - Feb 11 2023

web scarlet ebook written by marissa meyer read this book using google play books app on your pc android ios devices

download for offline reading highlight bookmark or take notes while you read scarlet

[scarlet chapters 1 5 by marissa meyer barnes noble](#) - Nov 08 2022

web nov 20 2012 cinder is trying to break out of prison even though she ll be the commonwealth s most wanted fugitive if she does halfway around the world scarlet benoit s grandmother is missing it turns out there are many things scarlet doesn t know about her grandmother or the grave danger she has lived in her whole life

[scarlet marissa meyer](#) - Oct 19 2023

web jul 25 2012 when scarlet encounters wolf a street fighter who may have information as to her grandmother s whereabouts she has no choice but to trust him though he clearly has a few dark secrets of his own as scarlet and wolf work to unravel one mystery they find another when they cross paths with cinder

[amazon com scarlet 9780312642969 marissa meyer books](#) - Apr 13 2023

web jan 1 2013 marissa meyer is a fangirl at heart with a closet full of costumes a harry potter wand on her desk and a tuxedo mask doll hanging from her rear view mirror han and leia are still her otp she may or may not be a cyborg

**scarlet by marissa meyer ebook scribd** - Jun 03 2022

web feb 5 2013 the 1 new york times bestselling series cinder the cyborg mechanic returns in the second thrilling installment of marissa meyer s bestselling lunar chronicles she s trying to break out of prison even though if she succeeds she ll be the commonwealth s most wanted fugitive halfway around the world scarlet benoit s

[cinder novel wikipedia](#) - Dec 29 2021

web cinder is the 2012 debut young adult science fiction novel of american author marissa meyer published by macmillan publishers through their subsidiary feiwe! friends it is the first book in the lunar chronicles and is followed by scarlet the story is loosely based on the classic fairytale cinderella

[scarlet by marissa meyer ebook ebooks com](#) - Feb 28 2022

web the 1 new york times bestselling series cinder the cyborg mechanic returns in the second thrilling installment of marissa meyer s bestselling lunar chronicles she s trying to break out of prison even though if she succeeds she ll be the commonwealth s most wanted fugitive

[scarlet marissa meyer google books](#) - May 14 2023

web feb 5 2013 scarlet marissa meyer macmillan feb 5 2013 young adult fiction 454 pages the 1 new york times bestselling series cinder the cyborg mechanic returns in the second thrilling

[scarlet marissa meyer google books](#) - Jan 10 2023

web the 1 new york times bestselling series cinder the cyborg mechanic returns in the second thrilling installment of marissa meyer s bestselling lunar chronicles she s trying to break out of prison even though if she succeeds she ll be the

commonwealth s most wanted fugitive

[scarlet by marissa meyer audiobooks on google play](#) - May 02 2022

web arrow forward the 1 new york times bestselling series for marissa meyer s second installment of the bestselling lunar chronicles she imagines little red riding hood set in the distant future and yes there is a big bad wolf cinder the cyborg mechanic returns

**scarlet lunar chronicles book 2 meyer marissa** - Sep 06 2022

web marissa meyer s takes this fairytale and turns it even better than the original with a sci f twist and it s own touch of originality scarlet brings something so unique and truly an addicting adventure that will keep your mind racing heart aching and leave you utterly and wonderfully satisfied while keeping you eager for the next book in this one of a kind series

**scarlet by marissa meyer overdrive ebooks audiobooks and** - Aug 05 2022

web feb 5 2013 cinder the cyborg mechanic returns in the second thrilling installment of marissa meyer s bestselling lunar chronicles she s trying to break out of prison even though if she succeeds she ll be the commonwealth s most wanted fugitive halfway around the world scarlet benoit s grandmother is missing

[scarlet the lunar chronicles 2 by marissa meyer goodreads](#) - Aug 17 2023

web feb 5 2013 goodreads choice award nominee for best young adult fantasy science fiction 2013 cinder is back and trying to break out of prison even though she ll be the commonwealth s most wanted fugitive if she does in

*scarlet annotated marissa meyer* - Oct 07 2022

web published on may 27 2013 this post contains spoilers for scarlet read at your own risk last year a few of my giveaways were for specially annotated arcs of scarlet filled with behind the scenes info on book two of the lunar chronicles

*marissa meyer wikipedia* - Jan 30 2022

web marissa meyer born february 19 1984 is an american novelist a large portion of her bibliography is centered on retellings of fairy tales she is best known for her series the lunar chronicles which includes her 2012 debut novel cinder

[scarlet lunar chronicles 2 by marissa meyer paperback](#) - Mar 12 2023

web feb 4 2020 the second book in the 1 new york times and usa today bestselling lunar chronicles series by marissa meyer like you ve never seen it before now with new cover art our cyborg heroine teams up with two new characters scarlet and wolf to defend earth against a wicked space queen

[scarlet marissa meyer google books](#) - Jul 04 2022

web scarlet marissa meyer thorndike press 2013 juvenile fiction 571 pages a new york times bestselling author cinder the cyborg mechanic is trying to break out of prison even though if

**scarlet the universe of marissa meyer** - Jun 15 2023

web cinder is back and trying to break out of prison even though she ll be the commonwealth s most wanted fugitive if she does in this second installment in the lunar chronicles series by marissa meyer halfway around the world scarlet benoit s grandmother is missing

[scarlet novel wikipedia](#) - Sep 18 2023

web scarlet is a 2013 young adult science fiction novel written by american author marissa meyer and published by macmillan publishers through their subsidiary feiwel friends it is the second novel in the lunar chronicles series and the sequel to cinder