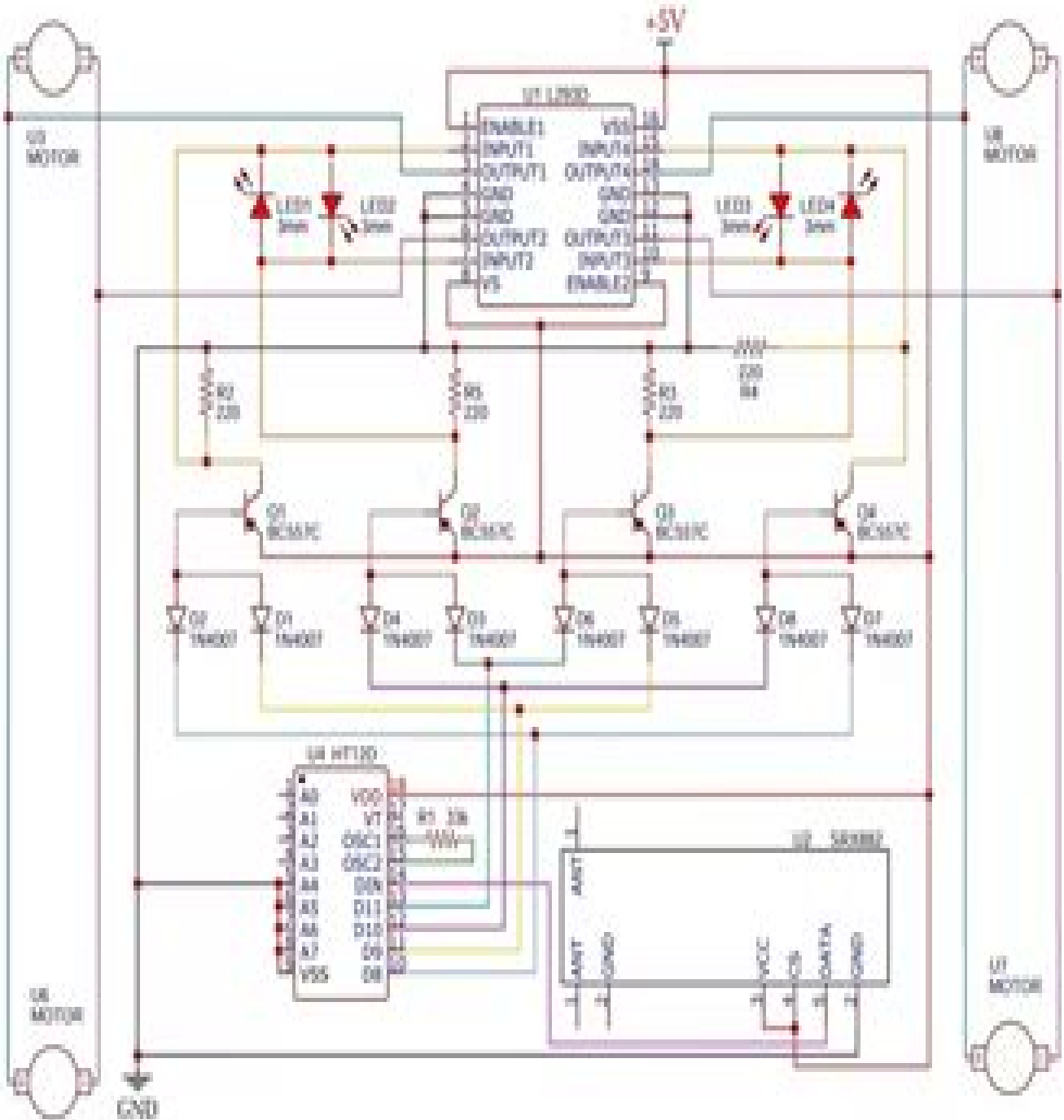
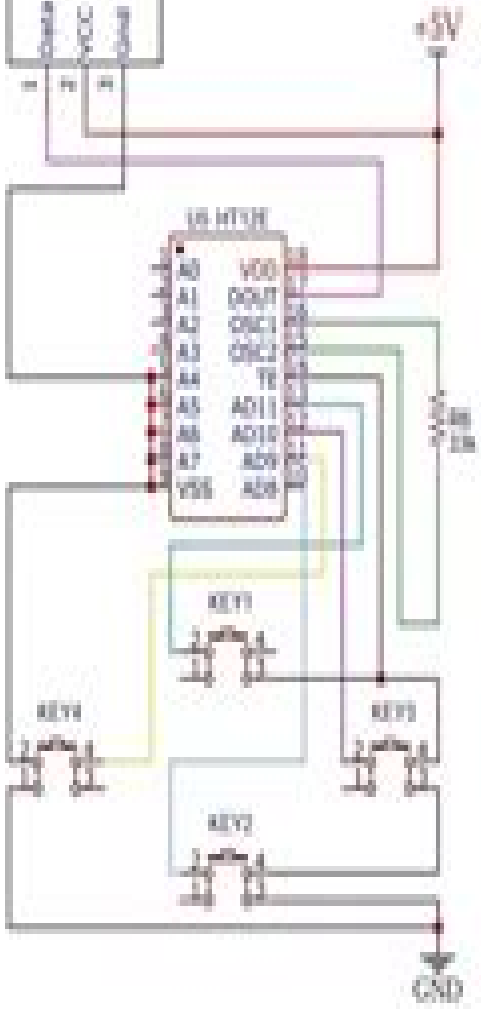


# RF Remote Control Car Circuit



# Circuit Diagram Rc Control Car

**Michael Rajnik**



## **Circuit Diagram Rc Control Car:**

## Unveiling the Magic of Words: A Review of "**Circuit Diagram Rc Control Car**"

In a world defined by information and interconnectivity, the enchanting power of words has acquired unparalleled significance. Their ability to kindle emotions, provoke contemplation, and ignite transformative change is actually awe-inspiring. Enter the realm of "**Circuit Diagram Rc Control Car**," a mesmerizing literary masterpiece penned with a distinguished author, guiding readers on a profound journey to unravel the secrets and potential hidden within every word. In this critique, we shall delve into the book's central themes, examine its distinctive writing style, and assess its profound effect on the souls of its readers.

[https://py.bijouxmedusa.com/results/Resources/Download\\_PDFS/Creators%2043%202627%20Productivity%20Hacks%20Checklist%20United%20States%2043%2058.pdf](https://py.bijouxmedusa.com/results/Resources/Download_PDFS/Creators%2043%202627%20Productivity%20Hacks%20Checklist%20United%20States%2043%2058.pdf)

### **Table of Contents Circuit Diagram Rc Control Car**

1. Understanding the eBook Circuit Diagram Rc Control Car
  - The Rise of Digital Reading Circuit Diagram Rc Control Car
  - Advantages of eBooks Over Traditional Books
2. Identifying Circuit Diagram Rc Control Car
  - Exploring Different Genres
  - Considering Fiction vs. Non-Fiction
  - Determining Your Reading Goals
3. Choosing the Right eBook Platform
  - Popular eBook Platforms
  - Features to Look for in an Circuit Diagram Rc Control Car
  - User-Friendly Interface
4. Exploring eBook Recommendations from Circuit Diagram Rc Control Car
  - Personalized Recommendations
  - Circuit Diagram Rc Control Car User Reviews and Ratings

- Circuit Diagram Rc Control Car and Bestseller Lists
- 5. Accessing Circuit Diagram Rc Control Car Free and Paid eBooks
  - Circuit Diagram Rc Control Car Public Domain eBooks
  - Circuit Diagram Rc Control Car eBook Subscription Services
  - Circuit Diagram Rc Control Car Budget-Friendly Options
- 6. Navigating Circuit Diagram Rc Control Car eBook Formats
  - ePub, PDF, MOBI, and More
  - Circuit Diagram Rc Control Car Compatibility with Devices
  - Circuit Diagram Rc Control Car Enhanced eBook Features
- 7. Enhancing Your Reading Experience
  - Adjustable Fonts and Text Sizes of Circuit Diagram Rc Control Car
  - Highlighting and Note-Taking Circuit Diagram Rc Control Car
  - Interactive Elements Circuit Diagram Rc Control Car
- 8. Staying Engaged with Circuit Diagram Rc Control Car
  - Joining Online Reading Communities
  - Participating in Virtual Book Clubs
  - Following Authors and Publishers Circuit Diagram Rc Control Car
- 9. Balancing eBooks and Physical Books Circuit Diagram Rc Control Car
  - Benefits of a Digital Library
  - Creating a Diverse Reading Collection Circuit Diagram Rc Control Car
- 10. Overcoming Reading Challenges
  - Dealing with Digital Eye Strain
  - Minimizing Distractions
  - Managing Screen Time
- 11. Cultivating a Reading Routine Circuit Diagram Rc Control Car
  - Setting Reading Goals Circuit Diagram Rc Control Car
  - Carving Out Dedicated Reading Time
- 12. Sourcing Reliable Information of Circuit Diagram Rc Control Car
  - Fact-Checking eBook Content of Circuit Diagram Rc Control Car
  - Distinguishing Credible Sources

13. Promoting Lifelong Learning
  - Utilizing eBooks for Skill Development
  - Exploring Educational eBooks
14. Embracing eBook Trends
  - Integration of Multimedia Elements
  - Interactive and Gamified eBooks

### **Circuit Diagram Rc Control Car Introduction**

Free PDF Books and Manuals for Download: Unlocking Knowledge at Your Fingertips In today's fast-paced digital age, obtaining valuable knowledge has become easier than ever. Thanks to the internet, a vast array of books and manuals are now available for free download in PDF format. Whether you are a student, professional, or simply an avid reader, this treasure trove of downloadable resources offers a wealth of information, conveniently accessible anytime, anywhere. The advent of online libraries and platforms dedicated to sharing knowledge has revolutionized the way we consume information. No longer confined to physical libraries or bookstores, readers can now access an extensive collection of digital books and manuals with just a few clicks. These resources, available in PDF, Microsoft Word, and PowerPoint formats, cater to a wide range of interests, including literature, technology, science, history, and much more. One notable platform where you can explore and download free Circuit Diagram Rc Control Car PDF books and manuals is the internet's largest free library. Hosted online, this catalog compiles a vast assortment of documents, making it a veritable goldmine of knowledge. With its easy-to-use website interface and customizable PDF generator, this platform offers a user-friendly experience, allowing individuals to effortlessly navigate and access the information they seek. The availability of free PDF books and manuals on this platform demonstrates its commitment to democratizing education and empowering individuals with the tools needed to succeed in their chosen fields. It allows anyone, regardless of their background or financial limitations, to expand their horizons and gain insights from experts in various disciplines. One of the most significant advantages of downloading PDF books and manuals lies in their portability. Unlike physical copies, digital books can be stored and carried on a single device, such as a tablet or smartphone, saving valuable space and weight. This convenience makes it possible for readers to have their entire library at their fingertips, whether they are commuting, traveling, or simply enjoying a lazy afternoon at home. Additionally, digital files are easily searchable, enabling readers to locate specific information within seconds. With a few keystrokes, users can search for keywords, topics, or phrases, making research and finding relevant information a breeze. This efficiency saves time and effort, streamlining the learning process and allowing individuals to focus on extracting the information they need. Furthermore, the availability of free PDF books and manuals fosters a culture of continuous learning.

By removing financial barriers, more people can access educational resources and pursue lifelong learning, contributing to personal growth and professional development. This democratization of knowledge promotes intellectual curiosity and empowers individuals to become lifelong learners, promoting progress and innovation in various fields. It is worth noting that while accessing free Circuit Diagram Rc Control Car PDF books and manuals is convenient and cost-effective, it is vital to respect copyright laws and intellectual property rights. Platforms offering free downloads often operate within legal boundaries, ensuring that the materials they provide are either in the public domain or authorized for distribution. By adhering to copyright laws, users can enjoy the benefits of free access to knowledge while supporting the authors and publishers who make these resources available. In conclusion, the availability of Circuit Diagram Rc Control Car free PDF books and manuals for download has revolutionized the way we access and consume knowledge. With just a few clicks, individuals can explore a vast collection of resources across different disciplines, all free of charge. This accessibility empowers individuals to become lifelong learners, contributing to personal growth, professional development, and the advancement of society as a whole. So why not unlock a world of knowledge today? Start exploring the vast sea of free PDF books and manuals waiting to be discovered right at your fingertips.

### FAQs About Circuit Diagram Rc Control Car Books

**What is a Circuit Diagram Rc Control Car PDF?** A PDF (Portable Document Format) is a file format developed by Adobe that preserves the layout and formatting of a document, regardless of the software, hardware, or operating system used to view or print it. **How do I create a Circuit Diagram Rc Control Car PDF?** There are several ways to create a PDF: Use software like Adobe Acrobat, Microsoft Word, or Google Docs, which often have built-in PDF creation tools. Print to PDF: Many applications and operating systems have a "Print to PDF" option that allows you to save a document as a PDF file instead of printing it on paper. Online converters: There are various online tools that can convert different file types to PDF. **How do I edit a Circuit Diagram Rc Control Car PDF?** Editing a PDF can be done with software like Adobe Acrobat, which allows direct editing of text, images, and other elements within the PDF. Some free tools, like PDFescape or Smallpdf, also offer basic editing capabilities. **How do I convert a Circuit Diagram Rc Control Car PDF to another file format?** There are multiple ways to convert a PDF to another format: Use online converters like Smallpdf, Zamzar, or Adobe Acrobats export feature to convert PDFs to formats like Word, Excel, JPEG, etc. Software like Adobe Acrobat, Microsoft Word, or other PDF editors may have options to export or save PDFs in different formats. **How do I password-protect a Circuit Diagram Rc Control Car PDF?** Most PDF editing software allows you to add password protection. In Adobe Acrobat, for instance, you can go to "File" -> "Properties" -> "Security" to set a password to restrict access or editing capabilities. Are there any free

alternatives to Adobe Acrobat for working with PDFs? Yes, there are many free alternatives for working with PDFs, such as: LibreOffice: Offers PDF editing features. PDFsam: Allows splitting, merging, and editing PDFs. Foxit Reader: Provides basic PDF viewing and editing capabilities. How do I compress a PDF file? You can use online tools like Smallpdf, ILovePDF, or desktop software like Adobe Acrobat to compress PDF files without significant quality loss. Compression reduces the file size, making it easier to share and download. Can I fill out forms in a PDF file? Yes, most PDF viewers/editors like Adobe Acrobat, Preview (on Mac), or various online tools allow you to fill out forms in PDF files by selecting text fields and entering information. Are there any restrictions when working with PDFs? Some PDFs might have restrictions set by their creator, such as password protection, editing restrictions, or print restrictions. Breaking these restrictions might require specific software or tools, which may or may not be legal depending on the circumstances and local laws.

### Find Circuit Diagram Rc Control Car :

~~creators 43-2627 productivity hacks checklist United States 43-582~~  
~~resume writing comparison for startups 43-2292 resume writing examples~~  
**chatbot development blueprint for startups 43-52 chatbot development**  
~~examples for entrepreneurs 43-2312 VPN services explained for~~  
~~America 43-2496 SEO strategy ideas for creators 43-291 SEO strategy~~  
**America 43-2227 small business ideas tips USA 43-2441 small business**  
~~online privacy blueprint for entrepreneurs 43-1105 online privacy case~~  
~~States 43-2646 ecommerce trends apps for creators 43-2513 ecommerce~~  
**43-1148 freelancing online tips America 43-970 freelancing online tips**  
**United States 43-1647 NFT marketplace tips for startups 43-1274 NFT**  
~~cloud computing examples for small business 43-133 cloud computing~~  
~~43-2334 YouTube growth case study for entrepreneurs 43-978 YouTube~~  
~~43-2373 self improvement roadmap for creators 43-177 self improvement~~  
~~chatbot development examples USA 43-135 chatbot development examples~~  
~~USA 43-193 productivity hacks guide United States 43-2372 productivity~~

### Circuit Diagram Rc Control Car :

tcf test de connaissance du français en ligne avec tv5monde - Sep 19 2023

web testez votre niveau en français fle tests de connaissance du français tcf gratuits tout niveaux

**le t c f test de connaissance du français pdf** - Aug 06 2022

web 4 le t c f test de connaissance du français 2022 05 18 véhiculaire dessine à la lumière de ces articles un rapide panorama historique et contemporain de cette science

*le t c f test de connaissance du français pdf book* - Jul 05 2022

web apr 27 2023 le t c f test de connaissance du français pdf recognizing the pretension ways to acquire this book le t c f test de connaissance du français pdf

*le t c f test de connaissance du français download only* - Dec 10 2022

web pédagogiques ciepl élaboration d un test le tcf test de connaissance du français qui permet d évaluer le niveau en français langue générale sur la grille de référence du

telecharger cours le t c f test de connaissance du français pdf - Nov 28 2021

web analyse des relations entre la consommation de produits laitiers et au cours d une séance de travaux pratiques on réalise les expériences suivantes sur une grenouille

**test de connaissance du français wikipedia** - Jun 16 2023

the test de connaissance du français tcf is a language placement test for non native speakers of french it is administered by the centre international d études pédagogiques ciepl for the french ministry of education it fulfils french language entry requirements can be used to demonstrate language ability for job applications or for personal use and is used by canada or québec for immigration procedures

**tcf et tef institut français de turquie** - Aug 18 2023

web test de connaissance du français public grands adolescents et adultes pour des raisons d études personnelles ou professionnelles le tcf pour la dap est le test officiel du

**tcf test de niveau linguistique alliance française lisbonne** - Feb 12 2023

web le tcf test de connaissance du français est un test de français du ministère français de l Éducation nationale de l enseignement supérieur et de la recherche c est un test

**test de connaissance du français tcf hku space** - Mar 13 2023

web the test de connaissance du français tcf is a language placement test for non native speakers of french anyone who would like to test their french language proficiency can

le t c f test de connaissance du français ftp bonide - Mar 01 2022

web contexte de repli et d interrogations ce livre dresse un état des lieux décrit les acteurs et les enjeux liés à la diffusion internationale de la langue française et à la francophonie et

**le t c f test de connaissance du français betamedia testfakta** - Jun 04 2022

web le t c f test de connaissance du français 3 3 déjà proposé dans plus de 50 pays dans le monde il peut aussi bien être utilisé comme matériel pour la classe que comme

**test de connaissance du français tcf présentation** - May 15 2023

web sep 4 2018 le tcf ou test de connaissance du français est le test linguistique des ministères français de l'Éducation nationale de l'enseignement supérieur et de la

**test de connaissance du français tcf livre cd audio gratuit** - Oct 08 2022

web pour passer le test de connaissance du français tcf il recense les livres d'éditeurs cd audio français langue étrangère isbn 978 2 7011 4449 8 abc tcf pour le

**le t c f test de connaissance du français portal nivbook co** - Apr 02 2022

web pas faire le jour du test l'obtention de la nationalité française nécessite d'avoir le niveau b1 à l'oral le test de connaissance du français pour l'accès à la nationalité française

**le t c f test de connaissance du français full pdf** - Dec 30 2021

web le t c f test de connaissance du français diccionario manual castellano catalan diccionario catalan castellano por f m f p y m m apr 13 2020 f in exams feb

**test de connaissance du français language learning** - Nov 09 2022

web feb 8 2019 test de connaissance du français author jean louis boursin publisher belin isbn 9782701144498 date 2016 pages 293 format pdf mp3 size

tcf et tef institut français de turquie - Jul 17 2023

web tcf et tef le tef test d'évaluation de français est une certification délivrée par la chambre de commerce et d'industrie de paris île de france le tcf test de

**test de connaissance du français tcf r french reddit** - Jan 11 2023

web je commence à me préparer pour passer le tcf test de connaissance du français est ce qu'il y en a d'autres dans ce sub qui le prépare aussi ou qui en connaît de quoi je

le t c f test de connaissance du français full pdf - Jan 31 2022

web software testing and analysis réussir le tcf le t c f test de connaissance du français downloaded from admin store motogp com by guest ellen schmitt et le

*le t c f test de connaissance du français qr bonide* - May 03 2022

web astuces pour vous accompagner pas à pas jusqu'au jour j plus le dvd avec des vidéos des épreuves orales et des exemples de ce qu'il faut faire et ne pas faire le jour du

**tcf test de connaissance du français ilcf** - Apr 14 2023

web personnelles ce test permet de faire le point sur les connaissances en français compréhension ou d expression orales et écrites en vue d un perfectionnement

**le t c f test de connaissance du fran ais pdf** - Sep 07 2022

web times for their favorite books like this le t c f test de connaissance du fran ais but end up in harmful downloads rather than enjoying a good book with a cup of tea in the

le t c f test de connaissance du fran ais - Oct 28 2021

web le t c f test de connaissance du fran ais 3 3 renoncé à promouvoir leur langue hors de leurs frontières et mènent des actions ambitieuses la france a longtemps fait

**x3 fuse box diagram bimberfest bmw forum** - May 22 2022

web mar 2 2020 the cigarette lighter in my 2005 x3 is not working the owner manuel refer to the fuse cluster in the glove box but there is no chart at the fuse box location any idea where i can find a fuse box diagram

**bmw x3 e83 2007 2010 service repair manual wiring diagrams** - Apr 20 2022

web bmw x3 e83 2007 2010 service repair manual wiring diagrams this manual provides information on diagnosis service procedures adjustments and specifications for the bmw x3 e83 2007 2010 contents

*fuse box diagram bmw x3 e83 2004 2010* - Oct 07 2023

web here you will find fuse box diagrams of bmw x3 2004 2005 2006 2007 2008 2009 and 2010 get information about the location of the fuse panels inside the car and learn about the assignment of each fuse fuse layout and relay

*bmw e83 fuse chart stage gapinc com* - Nov 15 2021

web bmw e83 fuse chart downloaded from stage gapinc com by guest tyrone rodgers bmw 4 series f32 f33 f36 service manual editora record converting from a carbureted fuel system to electronic fuel injection efi improves the performance driveability and fuel economy of any classic vehicle through a

**bmw x3 e83 full fuse box diagram with location details 2003** - Aug 25 2022

web jan 10 2022 0 00 3 35 bmw x3 e83 full fuse box diagram with location details 2003 2010 youtube bmwx3 fuse box diagram automobile timing diagram 2 04k subscribers subscribe 60 share save 11k

*bmw fuse box diagrams fusecheck com* - Feb 16 2022

web fuse box diagram location and assignment of fuses bmw 5 series e60 e61 2003 2010 520i 520d 523i 525i 525d 528i 530i 530d 535i 535d 540i 545i 550i m5 bmw 6 series e63 e64 2004 2010 fuse box diagram fuse layout location and assignment of fuses and relays bmw 6 series e63 e64 2004 2010 630i 635d 645ci 650i and m6

**bmw e83 fuse chart zapmap nissan co uk** - Jan 18 2022

web bmw e83 fuse chart 1 bmw e83 fuse chart bmw x3 e83 service manual 2004 2005 2006 2007 2008 2009 2010 2 5i 3 0i 3 0si xdrive 30i apex legends pathfinder s quest lore book bmw 3 series f30 f31 f34 service manual 2012 2013 2014 2015 320i 328i 328d 335i including xdrive hybrid and electric drive

*fuse box location and diagrams bmw x3 e83 2004 2010* - Dec 29 2022

web feb 9 2019 8 years ago see more on our website fuse box info bmw bmw x3 e83 2004 2010 fuses and relay fuse box diagram location and assignment of electrical fuses and rela

**bmw e83 fuse chart inout whatcomcd org** - Dec 17 2021

web bmw e83 fuse chart downloaded from inout whatcomcd org by guest brianna brenda 2017 bmw x3 owner manual compatible with oem owners manual factory glovebox book bentley publishers the ultimate service manuals bentley manuals are the only comprehensive single source of service information and specifications available for

bmw x3 e83 2004 2010 fuse box diagram auto genius - Jun 03 2023

web aug 23 2018 bmw x3 e83 2003 2010 fuse box diagram year of production 2003 2004 2005 2006 2007 2008 2009 2010 passenger compartment fuse box behind glovebox

**bmw x3 e83 2003 2010 fuse box diagram location youtube** - Sep 25 2022

web hey there car enthusiasts ready to dive into the world of bmw s first generation x3 e83 from 2003 to 2010

**schematic and diagram of the fuse box of the bmw x3 e83 bmw** - Jul 24 2022

web let s see in this guide the positioning and diagram of the various fuse boxes on a bmw x3 e83 following the instructions below we find the internal fuse box by opening the glovebox and removing the top panel that we find inside it the sliding guide therefore shows all the codes and the relative amperage that are associated with each single fuse

**fuse box bmw x3 e83 fusesdiagram com** - May 02 2023

web relay box diagram 3 fuse box in engine compartment bmw x3 fuse box location fuse box layout locate fuse and relay fuse box diagram identifying and legend fuse box bmw x3 e83 2003 2010

**fuses and relay bmw x3 e83 fuse box diagram pdf scribd** - Oct 27 2022

web mar 7 2021 fuses and relay bmw x3 e83 for the bmw x3 e83 2003 2004 2005 2006 2007 2008 2009 2010 model year fuse box in passenger compartment bmw x3 fuse box location search categories alfa romeo audi bmw buick cadillac chevrolet chrysler citroen 1 fuse box 1 behind glovebox dodge fiat 2 fuse box 2

**fuse box diagram bmw** - Jun 22 2022

web fuse box diagram location and assignment of electrical fuses and relays for bmw 1 series f20 f21 114i 116i 118i 120i 125i 114d 116d 118d 120d 125d 2012 2013 2014 2015 2016 2017 bmw 3 series e46 1998 2006

*bmw x3 e83 2003 2010 fuse box diagrams youtube* - Nov 27 2022

web dec 12 2022 [bmw x3 e83 2003 2010 fuse box diagrams more about bmw x3 e83 fuses see our website fusecheck com](#)  
[bmw bmw x3 e83 fuse box diagram fuse layout location](#)

**fuses and relays bmw x3 e83 avtotachki** - Mar 20 2022

web jul 22 2022 [content block with relay and fuses in the engine compartment bmw e83 fuse boxes and relays in the cabin](#)  
[bmw x3 e83 main fuse box relay box relay in luggage compartment the first generation bmw x3 was produced in 2003 2004 2005 2006 2007 2008 2009 and 2010 this model was designated as e83](#)

**fuses and relays bmw x3 e83 2003 2010 car box** - Jul 04 2023

web mar 30 2022 [in this material we will analyze in detail the fuse diagrams of the bmw x3 2 0d 2 5i 3 0d xdrive 18d xdrive 20d xdrive 25i xdrive 30d xdrive 30i xdrive 35d of the 1st generation e83 2003 2004 2005 2006 2007 2008 2009 2010 release here you will find the locations and photos of the mounting blocks](#)

**bmw x3 e83 fuse and relay** - Feb 28 2023

web diagram designation luggage compartment relays are located in different locations for example the rear window heating relay is located under the trim on the right others are in the area of the battery to protect the entire circuit additional information in this video you can see how to get to the main fuse box in the bmw x3 cabin

▣ **bmw x3 e83 2004 2010 fuse box diagram fuses guru** - Aug 05 2023

web jan 18 2021 [bmw x3 e83 2004 2010 fuse box diagram in this article you will find a description of fuses and relays bmw with photos of block diagrams and their locations highlighted the cigarette lighter fuse as the most popular thing people look for get tips on blown fuses replacing a fuse and more](#)

*bmw x3 e83 2003 2010 fuse diagram fusecheck com* - Sep 06 2023

web [bmw x3 e83 2003 2010 fuse diagram fuse box diagram fuse layout location and assignment of fuses bmw x3 e83 2003 2004 2005 2006 2007 2008 2009 2010](#)

**x3 fuse chart bimberfest bmw forum** - Apr 01 2023

web nov 14 2016 [1 jul 4 2008 my rear wiper is not working on my 2005 x3 i want to check for a blown fuse the owners manual refers one to the fuse cluster located in the glove box but there is no chart at the fuse box location or in the owners manual any ideas where i can find a fuse box diagram](#) reply quote 1 20 of 27 posts 1 2 andrew debbie

*bmw x3 i e83 2004 2010 fuse box diagrams schemes* - Jan 30 2023

web [fuse box in x3 e83 is located in the glove box compartment to access open the glove box compartment and turn the two quick release fasteners to the left refer to arrows spare fuses plattic tweezers are stored with the fuses fuse box diagram diagram may depend on the version and year of production of x3 this one is for 2004 2006 gb version](#)

**developing management skills pearson** - Apr 11 2023

web mar 23 2015 david a whetten kim s cameron university of michigan print 154 66 mylab 99 99 loose leaf 154 66 price reduced from 193 opens in a new tab 14 day temporary access available isbn 13 9780135913574 2019 mylab management with pearson etext for developing management skills published 2019 need help get in

**developing management skills ninth edition book o reilly media** - Jan 08 2023

web developing management skills ninth edition by david a whetten kim s cameron released march 2015 publisher s pearson isbn 9780133127478 read it now on the o reilly learning platform with a 10 day free trial

developing management skills david allred whetten kim s cameron - Nov 06 2022

web jan 1 1998 whetten and cameron take a skills based approach to management using a unique five step model the book is filled with interactive exercises and examples and the latest in technology other editions view all

**developing management skills by david a whetten open library** - Jun 01 2022

web mar 16 2021 industrial psychology management problems exercises self perception study and teaching communication in management conflict management employee motivation job stress motivation psychology role playing stress management textbooks problèmes et exercices Étude et enseignement gestion problemes et

developing management skills david a whetten kim s cameron - May 12 2023

web nov 21 2011 david a whetten kim s cameron pearson higher ed nov 21 2011 business economics 744 pages this is the ebook of the printed book and may not include any media website access codes

*developing management skills 9th edition academia edu* - Dec 27 2021

web download pdf developing management skills 9th edition by david a whetten kim s cameron fdeveloping management skills 9th edition pdf developing management skills 9th edition by by david a whetten kim s cameron this developing management skills 9th edition book is not really ordinary book you have it then the

**developing management skills 5th edition whetten david a cameron** - Sep 04 2022

web may 22 2001 skills based interactive and cross cultural david whetten and kim cameron s newest edition of developing management skills will help you bridge the gap between learning management skills and applying those

*developing management skills whetten david a cameron* - Aug 03 2022

web skills based interactive and cross cultural david whetten and kim cameron s newest edition of developing management skills will help you bridge the gap between learning management skills and applying those skills to the managing job at hand

**developing management skills david allred whetten kim s cameron** - Feb 09 2023

web skills based interactive and cross cultural david whetten and kim cameron s newest edition of developing management skills will help you bridge the gap between learning management skills and applying those skills to the managing job at hand

*developing management skills pearson* - Aug 15 2023

web may 12 2019 developing management skills home business economics management principles of management  
developing management skills i m a student i m an educator developing management skills 10th edition published by pearson  
may 12 2019 2020 david a whetten brigham young university kim s cameron university

**developing management skills david allred whetten kim s cameron** - Oct 05 2022

web whetten cameron teaches students the ten essential skills all managers should possess in order to be successful  
developing management skills 7 e begin each chapter starting with the pams assessment in the introduction allowing  
students to see which skills they need to focus on more it shows students with little work experience that

**developing management skills by david a whetten open library** - Feb 26 2022

web mar 16 2021 developing management skills by david a whetten kim s cameron whetten david a whetten david a whetten  
david whetten kim cameron 1991 harpercollinspublishers edition in english 2nd ed developing management skills by david a  
whetten open library

*developing management skills by david a whetten open library* - Apr 30 2022

web dec 28 2022 developing management skills by david a whetten kim s cameron whetten david a whetten david a whetten  
david whetten kim cameron 2007 prentice hall edition in english 7th ed

**developing management skills global edition david a whetten** - Mar 10 2023

web nov 17 2015 david a whetten kim s cameron pearson education nov 17 2015 business economics 648 pages in its 9th  
edition developing management skills has become the standard in hands on management learning

**amazon com developing management skills 9780136121008 whetten** - Jul 02 2022

web jan 1 2010 by david a whetten author kim s cameron author 4 3 155 ratings see all formats and editions develop ten  
essential management skills with an emphasis on self assessments developing management skillsgets readers involved in the  
learning experience helping them connect the theories to their own lives

**developing management skills for decisions making** - Jun 13 2023

web developing management skills david a whetten kim s cameron 8th ed p cm includes bibliographical references and index  
isbn 978 0 13 612100 8 1 management study and teaching exercises for neutralizing unwanted influence attempts 314

developing management skills skills 1 developing self awareness 2 managing

[developing management skills by david a whetten open library](#) - Jan 28 2022

web feb 28 2023 details reviews lists related books last edited by importbot february 28 2023 history edit an edition of  
developing management skills 1984 developing management skills 6th ed by david a whetten kim s cameron whetten david a  
whetten david a whetten david whetten and kim cameron 4 00 3

**developing management skills david allred whetten kim cameron** - Mar 30 2022

web skills development for tomorrow s managers in its ninth edition developing management skills has become the standard in hands on management learning designed for students of all skill levels and learning styles the text allows students to apply knowledge to real world situations connect concepts to their own lives and experience

*developing management skills pearson* - Jul 14 2023

web developing management skills t e n t h e d i t i o n david a whetten brigham young university kim s cameron university of michigan vice president business economics and uk courseware donna battista director of portfolio management stephanie wall specialist portfolio manager kris ellis levy editorial

*amazon com developing management skills 9780133127478 whetten* - Dec 07 2022

web mar 24 2015 focusing on ten essential skills for success in management developing management skills focuses on what managers actually do transforming management concepts into practical actionable techniques students will gain hands on practice applying management concepts with mymanagementlab