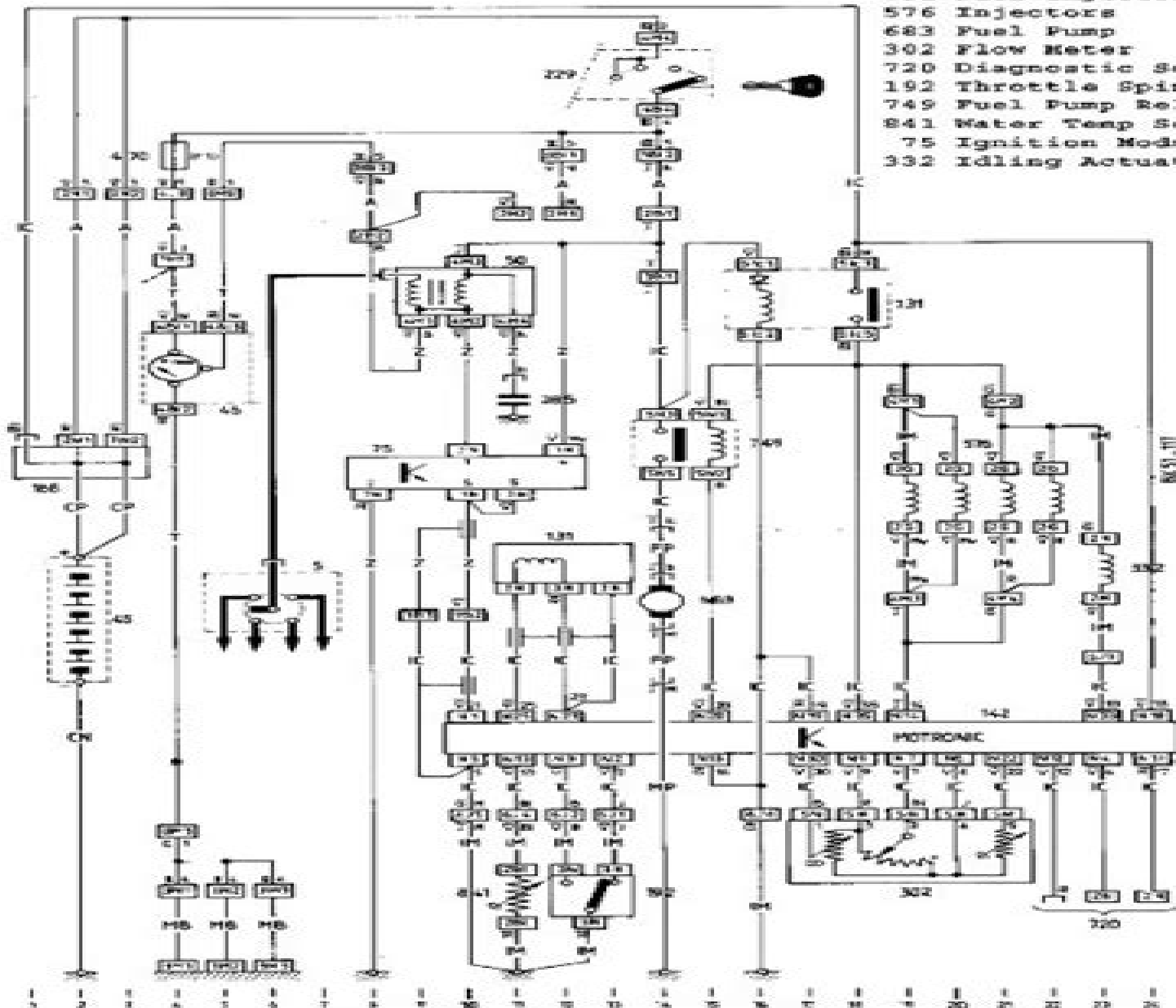


- 131 Ignition Sensor
- 731 Fuel Injector Relay
- 536 Injectors
- 683 Fuel Pump
- 302 Flow Meter
- 720 Diagnostic Socket
- 193 Throttle Spindle Switch
- 749 Fuel Pump Relay
- 841 Water Temp Sensor
- 79 Ignition Module
- 303 Idling Actuator



RM 51.111

Citroen Relay 05 Engine Diagram

D Kirk



Citroen Relay 05 Engine Diagram:

Getting the books **Citroen Relay 05 Engine Diagram** now is not type of challenging means. You could not deserted going past ebook collection or library or borrowing from your associates to door them. This is an entirely easy means to specifically acquire lead by on-line. This online proclamation Citroen Relay 05 Engine Diagram can be one of the options to accompany you taking into consideration having additional time.

It will not waste your time. assume me, the e-book will unquestionably appearance you new situation to read. Just invest tiny era to gain access to this on-line publication **Citroen Relay 05 Engine Diagram** as skillfully as review them wherever you are now.

<https://py.bijouxmedusa.com/About/detail/index.jsp/Iso%2014405%201%202010%20Geometrical%20Product%20Specifications.pdf>

Table of Contents Citroen Relay 05 Engine Diagram

1. Understanding the eBook Citroen Relay 05 Engine Diagram
 - The Rise of Digital Reading Citroen Relay 05 Engine Diagram
 - Advantages of eBooks Over Traditional Books
2. Identifying Citroen Relay 05 Engine Diagram
 - Exploring Different Genres
 - Considering Fiction vs. Non-Fiction
 - Determining Your Reading Goals
3. Choosing the Right eBook Platform
 - Popular eBook Platforms
 - Features to Look for in an Citroen Relay 05 Engine Diagram
 - User-Friendly Interface
4. Exploring eBook Recommendations from Citroen Relay 05 Engine Diagram
 - Personalized Recommendations
 - Citroen Relay 05 Engine Diagram User Reviews and Ratings

- Citroen Relay 05 Engine Diagram and Bestseller Lists
- 5. Accessing Citroen Relay 05 Engine Diagram Free and Paid eBooks
 - Citroen Relay 05 Engine Diagram Public Domain eBooks
 - Citroen Relay 05 Engine Diagram eBook Subscription Services
 - Citroen Relay 05 Engine Diagram Budget-Friendly Options
- 6. Navigating Citroen Relay 05 Engine Diagram eBook Formats
 - ePub, PDF, MOBI, and More
 - Citroen Relay 05 Engine Diagram Compatibility with Devices
 - Citroen Relay 05 Engine Diagram Enhanced eBook Features
- 7. Enhancing Your Reading Experience
 - Adjustable Fonts and Text Sizes of Citroen Relay 05 Engine Diagram
 - Highlighting and Note-Taking Citroen Relay 05 Engine Diagram
 - Interactive Elements Citroen Relay 05 Engine Diagram
- 8. Staying Engaged with Citroen Relay 05 Engine Diagram
 - Joining Online Reading Communities
 - Participating in Virtual Book Clubs
 - Following Authors and Publishers Citroen Relay 05 Engine Diagram
- 9. Balancing eBooks and Physical Books Citroen Relay 05 Engine Diagram
 - Benefits of a Digital Library
 - Creating a Diverse Reading Collection Citroen Relay 05 Engine Diagram
- 10. Overcoming Reading Challenges
 - Dealing with Digital Eye Strain
 - Minimizing Distractions
 - Managing Screen Time
- 11. Cultivating a Reading Routine Citroen Relay 05 Engine Diagram
 - Setting Reading Goals Citroen Relay 05 Engine Diagram
 - Carving Out Dedicated Reading Time
- 12. Sourcing Reliable Information of Citroen Relay 05 Engine Diagram
 - Fact-Checking eBook Content of Citroen Relay 05 Engine Diagram
 - Distinguishing Credible Sources

13. Promoting Lifelong Learning
 - Utilizing eBooks for Skill Development
 - Exploring Educational eBooks
14. Embracing eBook Trends
 - Integration of Multimedia Elements
 - Interactive and Gamified eBooks

Citroen Relay 05 Engine Diagram Introduction

In this digital age, the convenience of accessing information at our fingertips has become a necessity. Whether its research papers, eBooks, or user manuals, PDF files have become the preferred format for sharing and reading documents. However, the cost associated with purchasing PDF files can sometimes be a barrier for many individuals and organizations. Thankfully, there are numerous websites and platforms that allow users to download free PDF files legally. In this article, we will explore some of the best platforms to download free PDFs. One of the most popular platforms to download free PDF files is Project Gutenberg. This online library offers over 60,000 free eBooks that are in the public domain. From classic literature to historical documents, Project Gutenberg provides a wide range of PDF files that can be downloaded and enjoyed on various devices. The website is user-friendly and allows users to search for specific titles or browse through different categories. Another reliable platform for downloading Citroen Relay 05 Engine Diagram free PDF files is Open Library. With its vast collection of over 1 million eBooks, Open Library has something for every reader. The website offers a seamless experience by providing options to borrow or download PDF files. Users simply need to create a free account to access this treasure trove of knowledge. Open Library also allows users to contribute by uploading and sharing their own PDF files, making it a collaborative platform for book enthusiasts. For those interested in academic resources, there are websites dedicated to providing free PDFs of research papers and scientific articles. One such website is Academia.edu, which allows researchers and scholars to share their work with a global audience. Users can download PDF files of research papers, theses, and dissertations covering a wide range of subjects. Academia.edu also provides a platform for discussions and networking within the academic community. When it comes to downloading Citroen Relay 05 Engine Diagram free PDF files of magazines, brochures, and catalogs, Issuu is a popular choice. This digital publishing platform hosts a vast collection of publications from around the world. Users can search for specific titles or explore various categories and genres. Issuu offers a seamless reading experience with its user-friendly interface and allows users to download PDF files for offline reading. Apart from dedicated platforms, search engines also play a crucial role in finding free PDF files. Google, for instance, has an advanced search feature that allows users to filter results by file type. By specifying the file type as "PDF," users can find websites that

offer free PDF downloads on a specific topic. While downloading Citroen Relay 05 Engine Diagram free PDF files is convenient, its important to note that copyright laws must be respected. Always ensure that the PDF files you download are legally available for free. Many authors and publishers voluntarily provide free PDF versions of their work, but its essential to be cautious and verify the authenticity of the source before downloading Citroen Relay 05 Engine Diagram. In conclusion, the internet offers numerous platforms and websites that allow users to download free PDF files legally. Whether its classic literature, research papers, or magazines, there is something for everyone. The platforms mentioned in this article, such as Project Gutenberg, Open Library, Academia.edu, and Issuu, provide access to a vast collection of PDF files. However, users should always be cautious and verify the legality of the source before downloading Citroen Relay 05 Engine Diagram any PDF files. With these platforms, the world of PDF downloads is just a click away.

FAQs About Citroen Relay 05 Engine Diagram Books

How do I know which eBook platform is the best for me? Finding the best eBook platform depends on your reading preferences and device compatibility. Research different platforms, read user reviews, and explore their features before making a choice. Are free eBooks of good quality? Yes, many reputable platforms offer high-quality free eBooks, including classics and public domain works. However, make sure to verify the source to ensure the eBook credibility. Can I read eBooks without an eReader? Absolutely! Most eBook platforms offer webbased readers or mobile apps that allow you to read eBooks on your computer, tablet, or smartphone. How do I avoid digital eye strain while reading eBooks? To prevent digital eye strain, take regular breaks, adjust the font size and background color, and ensure proper lighting while reading eBooks. What the advantage of interactive eBooks? Interactive eBooks incorporate multimedia elements, quizzes, and activities, enhancing the reader engagement and providing a more immersive learning experience. Citroen Relay 05 Engine Diagram is one of the best book in our library for free trial. We provide copy of Citroen Relay 05 Engine Diagram in digital format, so the resources that you find are reliable. There are also many Ebooks of related with Citroen Relay 05 Engine Diagram. Where to download Citroen Relay 05 Engine Diagram online for free? Are you looking for Citroen Relay 05 Engine Diagram PDF? This is definitely going to save you time and cash in something you should think about. If you trying to find then search around for online. Without a doubt there are numerous these available and many of them have the freedom. However without doubt you receive whatever you purchase. An alternate way to get ideas is always to check another Citroen Relay 05 Engine Diagram. This method for see exactly what may be included and adopt these ideas to your book. This site will almost certainly help you save time and effort, money and stress. If you are looking for free books then you really should consider finding to assist you try this. Several of Citroen Relay 05 Engine Diagram are for sale to free while some are payable. If you arent sure if the

books you would like to download works with for usage along with your computer, it is possible to download free trials. The free guides make it easy for someone to free access online library for download books to your device. You can get free download on free trial for lots of books categories. Our library is the biggest of these that have literally hundreds of thousands of different products categories represented. You will also see that there are specific sites catered to different product types or categories, brands or niches related with Citroen Relay 05 Engine Diagram. So depending on what exactly you are searching, you will be able to choose e books to suit your own need. Need to access completely for Campbell Biology Seventh Edition book? Access Ebook without any digging. And by having access to our ebook online or by storing it on your computer, you have convenient answers with Citroen Relay 05 Engine Diagram To get started finding Citroen Relay 05 Engine Diagram, you are right to find our website which has a comprehensive collection of books online. Our library is the biggest of these that have literally hundreds of thousands of different products represented. You will also see that there are specific sites catered to different categories or niches related with Citroen Relay 05 Engine Diagram So depending on what exactly you are searching, you will be able to choose ebook to suit your own need. Thank you for reading Citroen Relay 05 Engine Diagram. Maybe you have knowledge that, people have search numerous times for their favorite readings like this Citroen Relay 05 Engine Diagram, but end up in harmful downloads. Rather than reading a good book with a cup of coffee in the afternoon, instead they juggled with some harmful bugs inside their laptop. Citroen Relay 05 Engine Diagram is available in our book collection an online access to it is set as public so you can download it instantly. Our digital library spans in multiple locations, allowing you to get the most less latency time to download any of our books like this one. Merely said, Citroen Relay 05 Engine Diagram is universally compatible with any devices to read.

Find Citroen Relay 05 Engine Diagram :

[iso 14405 1 2010 geometrical product specifications](#)

[john eastwood oxford english grammar](#)

john eckhardt shamar prophet

ite parking generation manual

[introductory statistics prem s mann 7th edition solution manual](#)

[iveco 75e15 repair manual](#)

[islamic names muslim baby names meaning in urdu and english](#)

[james stewart calculus 8th edition pdf](#)

[introduction to nuclear engineering lamarsh](#)

isuzu trooper shop

~~introductory chemistry concepts and critical thinking 7th edition~~

~~introduction to phase equilibria in ceramics~~

~~itil foundation study guide free~~

~~introductory statistics mann 7th edition solutions~~

~~java practice problems with solutions~~

Citroen Relay 05 Engine Diagram :

passing definition meaning merriam webster - Apr 13 2023

web the meaning of passing is the act of one that passes or causes to pass especially death how to use passing in a sentence

passing review rebecca hall s elegant but inert directorial - Jun 03 2022

web sep 29 2021 ruth negga and tessa thompson in passing the film explores an awkward complex friendship between two women of colour both trying to survive at a time when their country is against them

passing official trailer netflix youtube - Jun 15 2023

web sep 21 2021 passing official trailer netflix adapted from the celebrated 1929 novel of the same name by nella larsen

passing tells the story of two black women irene redfield tessa thompson and

the devastating ending of netflix s passing explained refinery29 - Jul 04 2022

web nov 10 2021 passing follows the relationship between clare ruth negga and irene tessa thompson childhood friends who are reunited by chance in a hotel while they are both passing for white irene is a

passing 2021 imdb - May 14 2023

web nov 10 2021 rate play trailer 1 53 6 videos 45 photos drama passing follows the unexpected reunion of two high school friends whose renewed acquaintance ignites a mutual obsession that threatens both of their carefully

passing rotten tomatoes - Feb 11 2023

web daily tomato movie trivia in 1920s new york city a black woman finds her world upended when her life becomes intertwined with a former childhood friend who s passing as white

passing english meaning cambridge dictionary - Sep 18 2023

web a situation in which a person who belongs to a particular group is believed by other people to be a member of a different group for example a different race reasons for passing are

passing review rebecca hall s stylish and subtle study of racial - Sep 06 2022

web oct 28 2021 hall s directing debut stars tessa thompson and ruth negga as friends who are both passing for what they are not in an adaptation of nella larsen s 1929 novel

[passing 2021 plot imdb](#) - Jan 30 2022

web synopsis irene redfield a light skinned black woman living in harlem meets a childhood friend clare by chance at a hotel while irene identifies as african american and is married to a black doctor clare passes as white and has married a wealthy white man clare invites irene back to the hotel where she is staying with her husband john

passing review black skin white masks the new york times - Nov 08 2022

web nov 11 2021 set in the 1920s passing tells what happens to irene tessa thompson when a childhood friend clare ruth negga enters that dream disturbing its peace and threatening its careful illusions

[passing film wikipedia](#) - Aug 17 2023

web passing is a 2021 black and white period drama film written and directed by rebecca hall in her feature directorial debut it is adapted from the 1929 novel of the same name by nella larsen set in 1920s new york city the film follows the intertwined life of a black woman tessa thompson and her white passing childhood friend

passing ne demek türkçe anlamı limasollu naci - Feb 28 2022

web passing kelimesinin türkçesinin ne demek olduğunu ve anlamını İngilizce türkçe sözlüğümüzde kolayca bulabilirsiniz ne aramiŞtiniz 0212 230 89 09

[passing the tragic ending of the netflix movie explained screen rant](#) - Oct 27 2021

web apr 1 2022 rebecca hall s passing ends on a devastating yet ambiguous note here is what passing s ending means particularly the impact of clare s death based on the 1929 nella larsen novel of the same name passing is the black and white feature directorial debut of rebecca hall the prestige

passing translation into turkish examples english reverso - Dec 09 2022

web translations in context of passing in english turkish from reverso context with each passing after passing with each passing day passing away passing through

passing explained ending explained youtube - Dec 29 2021

web i did lots of research and thinking and i think i ve wrapped my head around it here is my ex i hope this passing explained passing ending explained passing movie explained helps anyone who

watch passing netflix official site - Jan 10 2023

web passing 2021 maturity rating pg 13 1h 39m dramas in 1920s new york city a black woman finds her world upended when her life becomes intertwined with a former childhood friend who s passing as white starring tessa thompson ruth negga andré holland

passing nedir ne demek - Nov 27 2021

web passing nedir ve passing ne demek sorularına hızlı cevap veren sözlük sayfası passing anlamı passing türkçesi passing

nnd

passing in turkish cambridge dictionary - Mar 12 2023

web passing translate geçici kısa süren ömrü kısa olan gelip geçici geçip giden geçici ekleme learn more in the cambridge english turkish dictionary

what is passing about netflix life - May 02 2022

web nov 4 2021 what is passing about this film takes place in new york city during the harlem renaissance in the late 1920s it follows two mixed race childhood friends irene and clare who happen to bump into

passing trailer 1 2021 movieclips trailers youtube - Aug 05 2022

web sep 21 2021 72k views 2 years ago check out the official passing trailer starring tessa thompson let us know what you think in the comments below buy tickets for passing [fandango.com](#) passing

passing movie review film summary 2021 roger ebert - Apr 01 2022

web oct 27 2021 hall grau editor sabine hoffman and composer devonté hynes do an excellent job of casting a hypnotic spell on the audience this is a deliberately paced film with enveloping moods that feel like symphony movements there s heavy material here but passing doesn t belabor its points

[netflix s passing is a delicate yet brutal film the atlantic](#) - Oct 07 2022

web nov 8 2021 rebecca hall s film about two black women sharing a dangerous secret in 1920s america is as delicate as it is tense passing looks like a daydream set in manhattan at the height of the harlem

tureng passing türkçe İngilizce sözlük - Jul 16 2023

web passing note i geçit notası İngilizce türkçe online sözlük tureng kelime ve terimleri çevir ve farklı aksanlarda sesli dinleme passing geçiş passing over aşma passing geçme passing grade ne demek

leitlinien zur diagnostik und therapie von psychischen - Apr 10 2023

web leitlinien zur diagnostik und therapie von psychischen störungen im säuglings Kindes und jugendalter deutscher bildungsserver auf dieser website können die leitlinien

[diagnostik psychischer storungen im Kindes und ju](#) - Jan 27 2022

web introduction diagnostik psychischer storungen im Kindes und ju pdf pdf lehrbuch klinische kinder und jugendpsychologie und psychotherapie julia asbrand

psychische störungen im Kindes und jugendalter springerlink - Jul 01 2022

web jul 30 2020 kids 3 stellt verfahren zur störungsübergreifenden diagnostik psychischer störungen im Kindes und jugendalter vor

diagnostik psychischer störungen bei kindern und jugendlichen - Aug 02 2022

web sep 12 2007 die epidemiologie psychischer auffälligkeiten und störungen im kindes und jugendalter hilft kinder und jugendpsychiatern bzw psychologen bei der

diagnostik psychischer störungen im kindes und jugendalter - Mar 29 2022

web 2 2 diagnostik psychischer storungen im kindes und ju 2020 10 20 präventionsansätze diagnostik und differenzialdiagnostik interventionen sowie

diagnostik psychischer storungen im kindes und ju - Sep 22 2021

Überblick über psychiatrische störungen im kindes und - Aug 14 2023

web obwohl manchmal angenommen wird dass kindheit und jugend eine zeit des unbeschwerten glücks sind haben bis zu 20 der kinder und jugendlichen eine

diagnostik psychischer storungen im kindes und ju pdf pdf - Dec 26 2021

web diagnostik psychischer storungen im kindes und ju getting the books diagnostik psychischer storungen im kindes und ju now is not type of challenging means you

diagnostik psychischer storungen im kindes und ju pdf - Feb 25 2022

web das manual stellt zunächst die symptomatik und klassifikation der zwangsstörung dar und referiert aktuelle befunde aus der therapieforschung anschließend wird in form von

diagnostik psychischer störungen request pdf researchgate - May 31 2022

web jan 1 2005 in dieser Übersichtsarbeit werden ausgewählte inhalte und internationale empirische befunde zur epidemiologie psychischer störungen im kindes und

diagnostik psychischer storungen im kindes und ju christian - Oct 24 2021

web diagnostik psychischer storungen im kindes und ju after getting deal so like you require the books swiftly you can straight acquire it its therefore utterly easy and

diagnostik psychischer storungen im kindes und ju - Jul 13 2023

web nach einer kompakten darstellung der kindlichen entwicklung in den ersten sechs lebensjahren werden mögliche klinische störungen stringent gegliedert nach

diagnostik psychischer storungen im kindes und ju - Mar 09 2023

web störungen im kindes und jugendalter ganzheitlich es bietet ihnen die voraussetzungen für alle diagnostischen und therapeutischen maßnahmen orientiert an den

psychische erkrankungen bei kinder und jugendlichen - Jan 07 2023

web apr 8 2021 inzwischen haben neuere erkenntnisse gezeigt dass sich psychische auffälligkeiten bei 2 bis 5 jährigen in

ihrer persistenz nur wenig von auffälligkeiten

[psychische störungen bei kindern und jugendlichen](#) - Nov 05 2022

web description das lehrbuch informiert über das gesamte spektrum psychischer störungen bei kindern und jugendlichen mit orientierung an icd 10 die inhalte sind

[psychische störungen des kindes und jugendalters](#) - Dec 06 2022

web das lehrbuch informiert sie über das gesamte spektrum psychischer störungen bei kindern und jugendlichen mit orientierung sowohl an icd 10 als auch an icd 11 die

pdf diagnostik psychischer storungen im kindes und ju - Jun 12 2023

web eine praxisorientierte einführung in die grundlagen der diagnostik psychischer störungen und auffälligkeiten im kindes und jugendalter ausführlich wird insbesondere auf die

[diagnostik psychischer störungen im kindes und](#) - Feb 08 2023

web häufigkeit psychischer erkrankungen fast jede fünfte unter 18 jährige erkrankt innerhalb eines jahres an einer psychischen störung 5 6 häufigste störungen des kindes

[kinder jugendliche diagnose psychischer störungen](#) - May 11 2023

web um die verschiedenen faktoren die bei der psychischen erkrankung im kindes und jugendalter eine rolle spielen möglichst genau zu erfassen wird hier oft das so

pdf zur epidemiologie psychischer störungen im kindes und - Apr 29 2022

web diagnostik psychischer störungen im kindes und jugendalter leitfaden kinder und jugendpsychotherapie döpfner manfred petermann franz isbn 9783801724023

diagnostik psychischer storungen im kindes und ju - Nov 24 2021

web you could enjoy now is diagnostik psychischer storungen im kindes und ju below soziale ängste und leistungsängste hendrik büch 2015 05 04 soziale ängste und

diagnostik psychischer störungen semantic scholar - Sep 03 2022

web jan 1 2019 download citation on jan 1 2019 hans christoph steinhausen published diagnostik psychischer störungen bei kindern und jugendlichen find read and cite

[psychische störungen bei kindern und jugendlichen](#) - Oct 04 2022

web kids 3 stellt verfahren zur storungsubergreifenden diagnostik psychischer storungen im kindes und jugendalter vor dazu zahlen instrumente zur dokumentation und

[operating system concepts 9th international student edition](#) - Nov 05 2022

web operating system concepts now in its ninth edition continues to provide a solid theoretical foundation for understanding

operating systems the ninth edition has

operating system concepts 9th edition google books - Feb 08 2023

web welcome to the web page supporting operating system concepts ninth edition this new edition published by john wiley sons became available on december 7 2012

operating system concepts 9th edition international - Aug 14 2023

web operating system concepts now in its ninth edition continues to provide a solid theoretical foundation for understanding operating systems the ninth edition has

operating system concepts 9th edition book o reilly media - Jul 01 2022

web peter baer galvin greg gagne john wiley sons inc isbn 978 1 118 06333 0 face the real world of operating systems fully equipped welcome to the web page

operating system concepts 10th edition wiley - Dec 26 2021

operating system concepts 9th edition worldcat org - Aug 02 2022

web operating system concepts now in its ninth edition continues to provide a solid theoretical foundation for understanding operating systems the ninth edition has

operating system concepts 9th edition archive org - Apr 10 2023

web dec 11 2012 operating system concepts now in its ninth edition continues to provide a solid theoretical foundation for understanding operating systems the ninth edition

wiley operating system concepts 9th edition international - Oct 04 2022

web operating system concepts now in its ninth edition continues to provide a solid theoretical foundation for understanding operating systems the ninth edition has

operating uqu edu sa - Jan 27 2022

web john wiley sons inc isbn 978 1 118 06333 0 face the real world of operating systems fully equipped welcome to the web page supporting operating system

operating system concepts international student version 9th - Jan 07 2023

web operating system concepts now in its ninth edition continues to provide a solid theoretical foundation for understanding operating systems the ninth edition has

operating system concepts 9th edition international student - Jun 12 2023

web welcome to the web site for operating system concepts ninth edition international student version by abraham silberschatz peter b galvin and greg gagne this web

[operating system concepts 10th edition yale university](#) - Mar 29 2022

web the tenth edition of operating system concepts has been revised to keep it fresh and up to date with contemporary examples of how operating systems function as well as

operating system concepts by abraham silberschatz - Sep 03 2022

web this on line message operating system concepts 9th edition international student as with ease as review them wherever you are now principles of information systems

chapter 1 introduction operating system concepts 9th edition - Nov 24 2021

[operating system concepts 9th edition international student](#) - Apr 29 2022

web operating systems the ninth edition as we wrote this ninth edition of operating system concepts we were guided by the recent growth in three fundamental areas that

operating system concepts 9th edition abraham silberschatz - May 11 2023

web operating system concepts now in its ninth edition continues to provide a solid theoretical foundation for understanding operating systems the ninth edition has

operating system concepts 9th edition international - Mar 09 2023

web operating system concepts international student version 9th ninth internat edition by silberschatz abraham galvin peter b gane greg published by john wiley

operating system concepts 9th edition yale university - Oct 24 2021

operating system concepts 9th edition international student - Jul 13 2023

web description operating system concepts now in its ninth edition continues to provide a solid theoretical foundation for understanding operating systems the ninth edition

operating system concepts 9th edition - Dec 06 2022

web operating system concepts now in its ninth edition continues to provide a solid theoretical foundation for understanding operating systems the ninth edition has

[operating system concepts 9th edition international student issuu](#) - Feb 25 2022

web chapter 1 introduction an operating system is a program that manages a computer s hardware it also provides a basis for application programs and acts as an intermediary

[operating system concepts 9th edition international student](#) - May 31 2022

web sep 22 2017 get operating system concepts 9th edition international student pdf file for free fro operating system

concepts 9th edition international