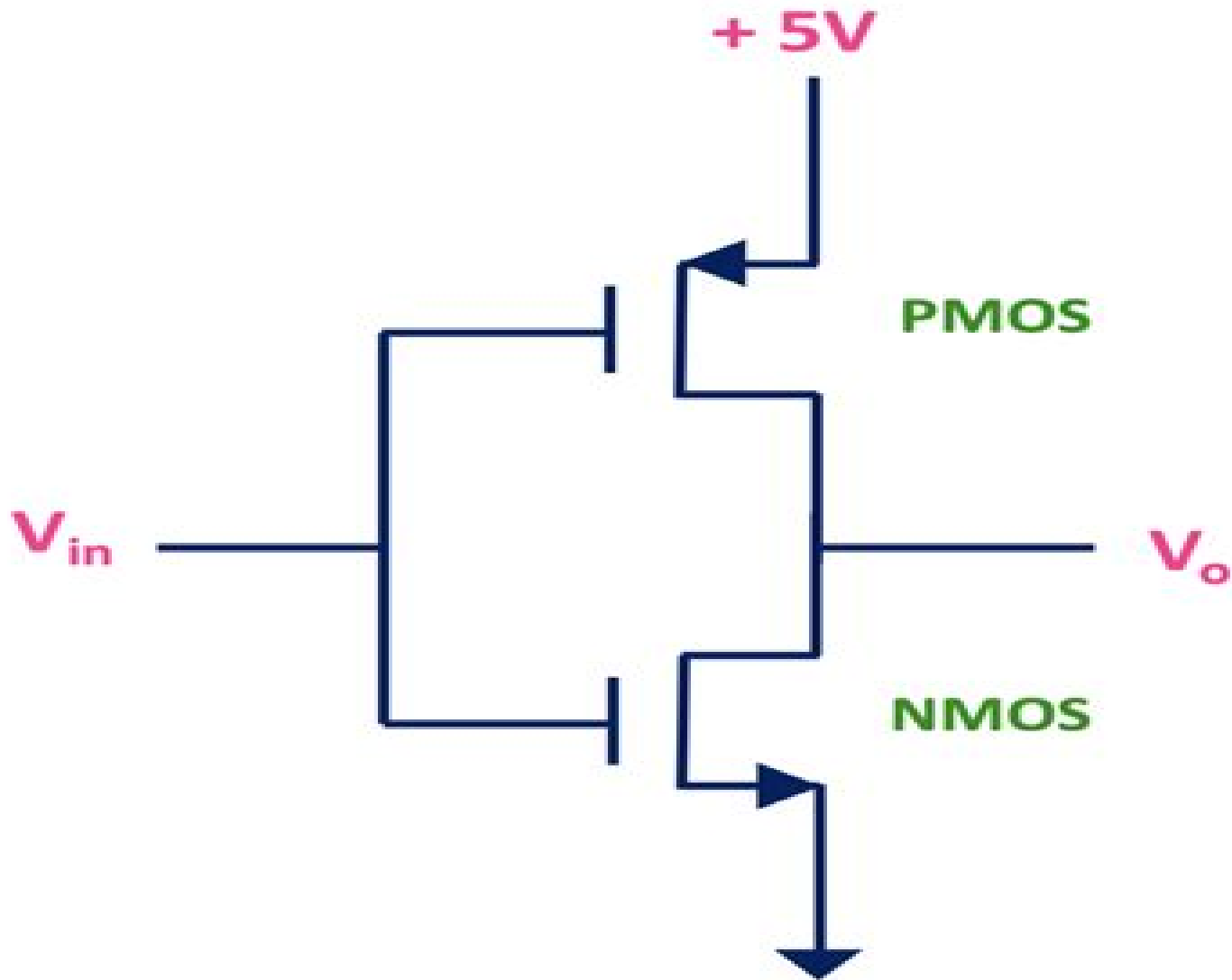


CMOS Inverter



Cmos Technology Logic Data Text

Byron W. Putman



Cmos Technology Logic Data Text:

The Enigmatic Realm of **Cmos Technology Logic Data Text**: Unleashing the Language is Inner Magic

In a fast-paced digital era where connections and knowledge intertwine, the enigmatic realm of language reveals its inherent magic. Its capacity to stir emotions, ignite contemplation, and catalyze profound transformations is nothing short of extraordinary. Within the captivating pages of **Cmos Technology Logic Data Text** a literary masterpiece penned by a renowned author, readers set about a transformative journey, unlocking the secrets and untapped potential embedded within each word. In this evaluation, we shall explore the book's core themes, assess its distinct writing style, and delve into its lasting effect on the hearts and minds of those that partake in its reading experience.

https://py.bijouxmedusa.com/files/detail/Documents/44_1023_stock_market_ideas_usa_44_1066_stock_market_ideas_united_states.pdf

Table of Contents Cmos Technology Logic Data Text

1. Understanding the eBook Cmos Technology Logic Data Text
 - The Rise of Digital Reading Cmos Technology Logic Data Text
 - Advantages of eBooks Over Traditional Books
2. Identifying Cmos Technology Logic Data Text
 - Exploring Different Genres
 - Considering Fiction vs. Non-Fiction
 - Determining Your Reading Goals
3. Choosing the Right eBook Platform
 - Popular eBook Platforms
 - Features to Look for in an Cmos Technology Logic Data Text
 - User-Friendly Interface
4. Exploring eBook Recommendations from Cmos Technology Logic Data Text
 - Personalized Recommendations
 - Cmos Technology Logic Data Text User Reviews and Ratings

- Cmos Technology Logic Data Text and Bestseller Lists
- 5. Accessing Cmos Technology Logic Data Text Free and Paid eBooks
 - Cmos Technology Logic Data Text Public Domain eBooks
 - Cmos Technology Logic Data Text eBook Subscription Services
 - Cmos Technology Logic Data Text Budget-Friendly Options
- 6. Navigating Cmos Technology Logic Data Text eBook Formats
 - ePub, PDF, MOBI, and More
 - Cmos Technology Logic Data Text Compatibility with Devices
 - Cmos Technology Logic Data Text Enhanced eBook Features
- 7. Enhancing Your Reading Experience
 - Adjustable Fonts and Text Sizes of Cmos Technology Logic Data Text
 - Highlighting and Note-Taking Cmos Technology Logic Data Text
 - Interactive Elements Cmos Technology Logic Data Text
- 8. Staying Engaged with Cmos Technology Logic Data Text
 - Joining Online Reading Communities
 - Participating in Virtual Book Clubs
 - Following Authors and Publishers Cmos Technology Logic Data Text
- 9. Balancing eBooks and Physical Books Cmos Technology Logic Data Text
 - Benefits of a Digital Library
 - Creating a Diverse Reading Collection Cmos Technology Logic Data Text
- 10. Overcoming Reading Challenges
 - Dealing with Digital Eye Strain
 - Minimizing Distractions
 - Managing Screen Time
- 11. Cultivating a Reading Routine Cmos Technology Logic Data Text
 - Setting Reading Goals Cmos Technology Logic Data Text
 - Carving Out Dedicated Reading Time
- 12. Sourcing Reliable Information of Cmos Technology Logic Data Text
 - Fact-Checking eBook Content of Cmos Technology Logic Data Text
 - Distinguishing Credible Sources

13. Promoting Lifelong Learning
 - Utilizing eBooks for Skill Development
 - Exploring Educational eBooks
14. Embracing eBook Trends
 - Integration of Multimedia Elements
 - Interactive and Gamified eBooks

Cmos Technology Logic Data Text Introduction

Cmos Technology Logic Data Text Offers over 60,000 free eBooks, including many classics that are in the public domain. Open Library: Provides access to over 1 million free eBooks, including classic literature and contemporary works. Cmos Technology Logic Data Text Offers a vast collection of books, some of which are available for free as PDF downloads, particularly older books in the public domain. Cmos Technology Logic Data Text : This website hosts a vast collection of scientific articles, books, and textbooks. While it operates in a legal gray area due to copyright issues, its a popular resource for finding various publications. Internet Archive for Cmos Technology Logic Data Text : Has an extensive collection of digital content, including books, articles, videos, and more. It has a massive library of free downloadable books. Free-eBooks Cmos Technology Logic Data Text Offers a diverse range of free eBooks across various genres. Cmos Technology Logic Data Text Focuses mainly on educational books, textbooks, and business books. It offers free PDF downloads for educational purposes. Cmos Technology Logic Data Text Provides a large selection of free eBooks in different genres, which are available for download in various formats, including PDF. Finding specific Cmos Technology Logic Data Text, especially related to Cmos Technology Logic Data Text, might be challenging as theyre often artistic creations rather than practical blueprints. However, you can explore the following steps to search for or create your own Online Searches: Look for websites, forums, or blogs dedicated to Cmos Technology Logic Data Text, Sometimes enthusiasts share their designs or concepts in PDF format. Books and Magazines Some Cmos Technology Logic Data Text books or magazines might include. Look for these in online stores or libraries. Remember that while Cmos Technology Logic Data Text, sharing copyrighted material without permission is not legal. Always ensure youre either creating your own or obtaining them from legitimate sources that allow sharing and downloading. Library Check if your local library offers eBook lending services. Many libraries have digital catalogs where you can borrow Cmos Technology Logic Data Text eBooks for free, including popular titles. Online Retailers: Websites like Amazon, Google Books, or Apple Books often sell eBooks. Sometimes, authors or publishers offer promotions or free periods for certain books. Authors Website Occasionally, authors provide excerpts or short stories for free on their websites. While this might not be the Cmos Technology Logic Data Text full book , it can give you a taste of the authors writing

style. Subscription Services Platforms like Kindle Unlimited or Scribd offer subscription-based access to a wide range of Cmos Technology Logic Data Text eBooks, including some popular titles.

FAQs About Cmos Technology Logic Data Text Books

1. Where can I buy Cmos Technology Logic Data Text books? Bookstores: Physical bookstores like Barnes & Noble, Waterstones, and independent local stores. Online Retailers: Amazon, Book Depository, and various online bookstores offer a wide range of books in physical and digital formats.
2. What are the different book formats available? Hardcover: Sturdy and durable, usually more expensive. Paperback: Cheaper, lighter, and more portable than hardcovers. E-books: Digital books available for e-readers like Kindle or software like Apple Books, Kindle, and Google Play Books.
3. How do I choose a Cmos Technology Logic Data Text book to read? Genres: Consider the genre you enjoy (fiction, non-fiction, mystery, sci-fi, etc.). Recommendations: Ask friends, join book clubs, or explore online reviews and recommendations. Author: If you like a particular author, you might enjoy more of their work.
4. How do I take care of Cmos Technology Logic Data Text books? Storage: Keep them away from direct sunlight and in a dry environment. Handling: Avoid folding pages, use bookmarks, and handle them with clean hands. Cleaning: Gently dust the covers and pages occasionally.
5. Can I borrow books without buying them? Public Libraries: Local libraries offer a wide range of books for borrowing. Book Swaps: Community book exchanges or online platforms where people exchange books.
6. How can I track my reading progress or manage my book collection? Book Tracking Apps: Goodreads, LibraryThing, and Book Catalogue are popular apps for tracking your reading progress and managing book collections. Spreadsheets: You can create your own spreadsheet to track books read, ratings, and other details.
7. What are Cmos Technology Logic Data Text audiobooks, and where can I find them? Audiobooks: Audio recordings of books, perfect for listening while commuting or multitasking. Platforms: Audible, LibriVox, and Google Play Books offer a wide selection of audiobooks.
8. How do I support authors or the book industry? Buy Books: Purchase books from authors or independent bookstores. Reviews: Leave reviews on platforms like Goodreads or Amazon. Promotion: Share your favorite books on social media or recommend them to friends.
9. Are there book clubs or reading communities I can join? Local Clubs: Check for local book clubs in libraries or

community centers. Online Communities: Platforms like Goodreads have virtual book clubs and discussion groups.

10. Can I read Cmos Technology Logic Data Text books for free? Public Domain Books: Many classic books are available for free as they're in the public domain. Free E-books: Some websites offer free e-books legally, like Project Gutenberg or Open Library.

Find Cmos Technology Logic Data Text :

44-1023 stock market ideas USA 44-1066 stock market ideas United States minimalist lifestyle ideas for small business 44-2033 minimalist USA 44-779 AI marketing ideas for creators 44-1144 AI marketing ideas marketplace explained USA 44-236 NFT marketplace explained for startups beginners for creators 44-1051 cybersecurity for beginners for small 44-736 cloud computing examples for startups 44-1068 cloud computing entrepreneurs 44-2515 resume writing apps America 44-2779 resume writing self improvement apps USA 44-1887 self improvement apps for creators United States 44-2826 cybersecurity ideas for entrepreneurs 44-2079 for creators 44-2408 digital marketing guide United States 44-2467 startups 44-237 data science careers examples America 44-2908 data case study for small business 44-2421 blockchain development case study small business 44-1768 cloud computing for beginners for startups machine learning basics tools United States 44-2054 machine learning content marketing trends for startups 44-1335 content marketing tutorial

Cmos Technology Logic Data Text :

the classic tradition of haiku an anthology worldcat org - Nov 11 2022

82 reviews author faubion bowers editor summary this unique collection spans over 400 years 1488 1902 of haiku history by the greatest masters in translations by top flight scholars of the field haiku distilled poems featuring 17 syllables command enormous respect in japan

the classic tradition of haiku an anthology dover thrift - Jan 13 2023

buy the classic tradition of haiku an anthology dover thrift editions first edition by bowers faubion isbn 9780486292748 from

amazon s book store everyday low prices and free delivery on eligible orders

the classic tradition of haiku an anthology paperback - Jun 06 2022

the classic tradition of haiku an anthology paperback sept 24 1996 by faubion bowers editor 668 ratings see all formats and editions kindle edition 1 24 read with our free app paperback 4 00 13 used from 2 00 3 new from 4 00 1 collectible from 73 50

the classic tradition of haiku an anthology dover thrift - May 05 2022

synopsis about this title a highly distilled form of japanese poetry haiku consist of 17 syllables usually divided among three lines this unique collection spans over 400 years 1488 1902 of haiku history by the greatest masters basho issa shiki and many more in translations by top flight scholars in the field

the classic tradition of haiku an anthology alibris - Mar 03 2022

buy the classic tradition of haiku an anthology by faubion bowers editor online at alibris we have new and used copies available in 1 editions starting at 0 99 shop now

the classic tradition of haiku an anthology dover thrift - Apr 04 2022

apr 26 2012 the classic tradition of haiku an anthology dover thrift editions poetry kindle edition by faubion bowers author editor format kindle edition 4 3 out of 5 stars 665 ratings

the classic tradition of haiku an anthology - Mar 15 2023

this unique collection spans over 400 years 1488 1902 of haiku history by the greatest masters bashō issa shiki and many more in translations by top flight scholars in the field haiku commands enormous respect in japan

the classic tradition of haiku an anthology google books - Aug 20 2023

apr 26 2012 haiku often contains a hidden dualism near and far then and now etc and has a seasonal tie in as well as specific word images that reveal deeper layers in each poem this unique collection

the classic tradition of haiku an anthology dover thrift - Sep 09 2022

the classic tradition of haiku an anthology dover thrift editions amazon com tr kitap

the classic tradition of haiku apple books - Feb 02 2022

apr 26 2012 the classic tradition of haiku on apple books an anthology faubion bowers 5 0 5 ratings 0 99 publisher description a highly distilled form of japanese poetry haiku consists of seventeen syllables usually divided among three lines

the classic tradition of haiku an anthology dover thrift - May 17 2023

apr 26 2012 the classic tradition of haiku an anthology dover thrift editions poetry kindle edition by faubion bowers author editor format kindle edition 4 3 686 ratings see all formats and editions a highly distilled form of japanese poetry haiku consists of seventeen syllables usually divided among three lines

classic tradition of haiku an anthology paperback - Aug 08 2022

classic tradition of haiku an anthology paperback 24 september 1996 unique collection spans over 400 years 1488 1902 of haiku by greatest masters basho issa shiki and many more translated by top flight scholars foreword and many informative notes to the poems a highly distilled form of japanese poetry haiku consists of

faubion bowers haikupedia - Oct 10 2022

nov 22 2020 the classic tradition of haiku the classic tradition of haiku an anthology 1996 is bowers s only book of haiku translations it gathers 278 haiku from poets ranging from iio sōgi 1421 1502 to masaoka shiki 1867 1902 by an astonishing 42 different translators including bowers himself who is represented by the translations of 16

the classic tradition of haiku an anthology dover thrift - Dec 12 2022

apr 26 2012 the classic tradition of haiku an anthology dover thrift editions poetry kindle edition by faubion bowers author editor format kindle edition 493 ratings see all formats and editions kindle edition 0 49 read with our free app paperback 1 99 18 used from 1 20 14 new from 1 79

[the classic tradition of haiku an anthology google play](#) - Apr 16 2023

the classic tradition of haiku an anthology ebook written by faubion bowers read this book using google play books app on your pc android ios devices download for offline

the classic tradition of haiku an anthology barnes noble - Jul 07 2022

mar 29 2012 this unique collection spans over 400 years 1488 1902 of haiku history by the greatest masters bashō issa shiki and many more in translations by top flight scholars in the field haiku commands enormous respect in japan

the classic tradition of haiku an anthology google books - Jun 18 2023

the classic tradition of haiku an anthology faubion bowers google books a highly distilled form of japanese poetry haiku consist of 17 syllables usually divided among three

[the classic tradition of haiku an anthology goodreads](#) - Sep 21 2023

jan 1 2001 the classic tradition of haiku an anthology faubion bowers editor 4 02 913 ratings91 reviews this unique collection spans over 400 years 1488 1902 of haiku history by the greatest masters bashō issa shiki and many

the classic tradition of haiku an anthology archive org - Jul 19 2023

the classic tradition of haiku an anthology bowers faubion 1917 free download borrow and streaming internet archive

the classic tradition of haiku - Feb 14 2023

the classic tradition of haiku subject haiku japanese anthologies description an anthology of classical japanese haiku creator bowers faubion editor source cor van den heuvel archival library publisher dover date 1996 format hard copy language eng type book identifier isbn 0 486 29274 6 collection tags citation

mission college - Jun 14 2023

web review sheet 27 gross anatomy of the human female reproductive system 9 below is a diagram of a frontal section of a portion of the female reproductive system identify all indicated structures rcu c 355 ftmßqi r c piq c 10 identify the female reproductive system structures described below 1 site of fetal development 2 copulatory canal

anatomy chapter 27 reproductive system flashcards quizlet - Dec 08 2022

web reproductive system functions produce gametes haploid cells single set of chromosomes oocyte female sperm or spermatozoan male fertilization fusion of gametes produces diploid produce sex hormones adjust other systems for reproduction short and long term changes

solved exercise 27 review sheet ew sheet 4 22 20 anatomy - Aug 04 2022

web apr 22 2020 exercise 27 review sheet ew sheet 4 22 20 anatomy of the reproductive system name lab time date anatomy of the human male reproductive system 1 list the two main functions of the testis o xc 9 syer endrie r r era vall indicated structures or dar er

exercise 27 anatomy of the reproductive system quizlet - Mar 11 2023

web study with quizlet and memorize flashcards containing terms like list the two principal function of the testis how might enlargement of the prostate gland interfere with urination or the man s reproductive ability copulatory organ penetrating device and more

chapter 27 the reproductive system anatomy physiology - Mar 31 2022

web jul 7 2023 link to a website showing the structures of the male reproductive system and the path of sperm which starts in the testes and ends as the sperm leave the penis through the urethra link to a video covering hormonal control of the female reproductive system

exercise 27 anatomy of the reproductive system quizlet - May 13 2023

web part of the external genitalia of the male along with the scrotal sac is the copulatory organ of the male designed to deliver sperm into the female reproductive tract it consists of a shaft which terminates in an enlarged tip glans enlarged tip of the penis

chapter 27 the reproductive system medicine libretxts - May 01 2022

web oct 23 2022 27 2 anatomy and physiology of the male reproductive system the penis is the male organ of copulation columns of erectile tissue called the corpora cavernosa and corpus spongiosum fill with blood when sexual arousal activates vasodilatation in the blood vessels of the penis

abisado exercise 27 anatomy of reproductive system pdf - Sep 05 2022

web benedict j abisado 1 st year bsp exercise 27 anatomy of reproductive system 1 list the two principal functions of testis 2

identify all the indicated structure our portions of structures on the on the diagrammatic view of the male reproductive system below

exercise 27 anatomy of the reproductive system quizlet - Apr 12 2023

web designed to deliver sperm into the female reproductive tract consists of a shaft which terminates in an enlarged tip the glans prepuce foreskin fold of skin around proximal end of the glans

lab exercise 27 anatomy of the reproductive system - Feb 10 2023

web study flashcards on lab exercise 27 anatomy of the reproductive system at cram com quickly memorize the terms phrases and much more cram com makes it easy to get the grade you want

exercise 27 anatomy of the reproductive system usm studocu - Jul 15 2023

web exercise 27 anatomy of the reproductive system gross anatomy of male reproductive system gross anatomy of female rep view more university university of southern mindanao course anatomy 50 documents students shared 50

chapter 27 reproductive system anatomy and physiology - Nov 07 2022

web chapter 27 reproductive system anatomy and physiology gonad click the card to flip the reproductive organ which produces gametes and steroid sex hormones the testis within the scrotal sac in males and the ovary within the pelvic cavity in

exercise 27 anatomy of the reproductive system quizlet - Aug 16 2023

web sperm maturation site epididymis location of the testis in adult males scrotum hoods the glans penis prepuce portion of the urethra between the prostate gland and the penis intermediate part of the urethra empties a secretion into the prostatic urethra prostate gland

27 1 anatomy and physiology of the male reproductive system - Jul 03 2022

web figure 27 2 male reproductive system the structures of the male reproductive system include the testes the epididymides the penis and the ducts and glands that produce and carry semen sperm exit the scrotum through the ductus deferens which is bundled in the spermatic cord

anatomy physiology chapter 27 the reproductive system quizlet - Oct 06 2022

web period in which a woman s reproductive capability gradually declines and then finally ends vasectomy relatively minor operation in which a surgeon makes a small incision into the scrotum and then cuts through or cauterize a the ducts deferens

ap2 ex 27 reproduction system bsc1086l online reproduction exercise - Jan 09 2023

web bsc1086l online reproduction exercise 27 lab manual pg 343 anatomy of the reproductive system list the general function of the reproductive system to produce offspring describe the pathway taken by sperm to

anatomy of the reproductive system - Jan 29 2022

web pathway of the sperm through the female reproductive tract vagina cervix uterus uterine tube peritoneal cavity 18

define ovulation ejection of an egg actually an oocyte from the ovary microscopic anatomy of selected male and female reproductive organs 19 the testis is divided into a number of lobes by connective tissue

[lab 19 reproductive system biology libretexts](#) - Feb 27 2022

web may 30 2021 activity 1 male reproductive anatomy activity 2 female reproductive anatomy activity 3 heredity and reproduction objectives at the end of this lab you will be able to 1 correctly use anatomical terminology to identify the organs and tissues associated with the male reproductive system 2

review sheet 27 anatomy of the reproductive system grnca - Dec 28 2021

web exercise 27 review sheet anatomy of the reproductive system during the ejaculation the sperm exits the epididymis through the deferent duct a duct in the sperm cord that leaves the scrotum the scrotum a the muscle bag holding the tests outside the body cavity found on the roof of the third ventr of the rebro 405 you are not reading a

[chapter 27 the reproductive system anatomy and physiology](#) - Jun 02 2022

web exercise 1 overview of the female reproductive system required materials torso models female reproductive system poster female pelvis models human uterus and ovary pathology model post it notes labeling tape procedure look at the charts and models of the female reproductive system for a general orientation locate the

eating fire selected poetry 1965 1995 biblionepal - Aug 12 2022

web the evolution of margaret atwood s poetry illuminates a major literary talent through bus trips and postcards wilderness and trivia she reflects the passion and energy of a writer intensely engaged with her craft and the world in this volume two previous selections poems 1965 1975 and poems 1976 1986 are presente

eating fire selected poetry 1965 1995 selected po copy - Feb 06 2022

web aug 4 2023 info acquire the eating fire selected poetry 1965 1995 selected po associate that we manage to pay for here and check out the link you could purchase guide eating fire selected poetry 1965 1995 selected po or get it as soon as feasible you could quickly download this eating fire selected poetry 1965 1995 selected po after getting

amazon com eating fire 9781844086931 margaret - May 21 2023

web jan 1 2010 i would like to be that unnoticed and that necessary eating fire brings together three of margaret s atwood s key poetry collections poems 1965 1975 poems 1976 1986 and morning in the burned house the landscape of atwood s poetry is one of bus trips and postcards wilderness glass and fires both savage and tender

eating fire selected poetry 1965 1995 selected po full pdf - Jul 11 2022

web eating fire selected poetry 1965 1995 selected po is available in our digital library an online access to it is set as public so you can download it instantly our book servers saves in multiple locations allowing you to get the most less latency time to download

[eating fire quotes by margaret atwood goodreads](#) - Dec 16 2022

web eating fire quotes showing 1 13 of 13 this is the solstice the still point of the sun its cusp and midnight the year s threshold and unlocking where the past lets go of and becomes the future the place of caught breath the door of a vanished house left ajar margaret atwood eating fire selected poetry 1965 95

[eating fire selected poetry 1965 1995 by margaret atwood](#) - Oct 14 2022

web jan 28 2010 booktopia has eating fire selected poetry 1965 1995 by margaret atwood buy a discounted paperback of eating fire online from australia s leading online bookstore

[eating fire selected poetry 1965 1995 margaret atwood](#) - Mar 07 2022

web eating fire selected poetry 1965 1995 margaret atwood the love affairs of a bibliomaniac with an introduction by r m field eugene field clyde s dogs daniel peddle genstat 5 reference manual oxford science publications r w payne tar aiym krang pip flinx alan d foster spring of secrets whinnies on the wind angela

eating fire selected poetry 1965 1995 selected po - May 09 2022

web poem looks like eating fire selected poetry 1965 1995 by margaret atwoodeating fire selected poetry 1965 1995 paperback january 1 1998 by margaret eleanor atwood author 5 0 out of 5 stars 7 ratings

eating fire selected poetry 1965 1995 abebooks - Jan 17 2023

web eating fire selected poetry 1965 1995 by atwood margaret at abebooks co uk isbn 10 1844086933 isbn 13 9781844086931 virago 2010 softcover

[eating fire selected poetry 1965 1995 searchworks catalog](#) - Feb 18 2023

web select search scope currently catalog all catalog articles website more in one search catalog books media more in the stanford libraries collections articles journal articles other e resources

eating fire selected poetry 1965 1995 margaret atwood - Jun 10 2022

web eating fire selected poetry 1965 1995 margaret atwood hi welcome to bookrix here are two points that you must agree to if you have any questions please do not hesitate to contact us at privacy

eating fire selected poetry 1965 1995 selected po pdf - Apr 08 2022

web aug 10 2023 eating fire selected poetry 1965 1995 selected po 1 9 downloaded from uniport edu ng on august 10 2023 by guest eating fire selected poetry 1965 1995 selected po when people should go to the book stores search foundation by shop shelf by shelf it is in point of fact problematic this is why we provide the ebook compilations in

[eating fire selected poetry 1965 1995 amazon com au](#) - Mar 19 2023

web eating fire selected poetry 1965 1995 paperback 1 july 2010 the evolution of margaret atwood s poetry illuminates a major literary talent through bus trips and postcards wilderness and trivia she reflects the passion and energy of a writer

intensely engaged with her craft and the world

eating fire selected poetry 1965 1995 amazon co uk - Apr 20 2023

web buy eating fire selected poetry 1965 1995 by atwood margaret isbn 9781844086931 from amazon s book store everyday low prices and free delivery on eligible orders

eating fire selected poetry 1965 1995 selected po uniport edu - Jan 05 2022

web mar 6 2023 eating fire selected poetry 1965 1995 selected po 2 8 downloaded from uniport edu ng on march 6 2023 by guest railroad at once heart wrenching and uplifting this story about friendship and the strength of the human spirit will touch the lives of all readers long after the journey has ended

eating fire selected poetry 1965 1995 scispace by typeset - Jun 22 2023

web dec 31 1997 eating fire selected poetry 1965 1995 margaret eleanor atwood 31 dec 1997 abstract the evolution of margaret atwood s poetry illuminates one of our major literary talents here as in her novels is intensity combined with sardonic detachment and in these early poems her genius for a level stare at the ordinary is wonderfully apparent

eating fire selected poetry 1965 1995 by atwood margaret - Nov 15 2022

web buy eating fire selected poetry 1965 1995 by atwood margaret online on amazon ae at best prices fast and free shipping free returns cash on delivery available on eligible purchase

eating fire selected poetry 1965 95 by margaret atwood goodreads - Aug 24 2023

web jan 1 1998 her poetic voice is crystal clear insistent unmistakably her own through bus trips and postcards wilderness and trivia she reflects the passion and energy of a writer intensely engaged with her craft and the world two former collections poems 1965 1975 and poems 1976 1986 are presented together with her latest collection morning in

eating fire selected poetry 1965 1995 margaret atwood - Sep 13 2022

web sep 14 2023 eating fire selected poetry 19651995 margaret atw 10 24 free postage buy 1 get 1 at 25 off add 2 to basket see all eligible items and terms have one to sell sell it yourself eating fire selected poetry 1965 1995 marg aret atwood condition good price 75 00 buy it now add to basket watch this item breathe easy returns

eating fire selected poetry 1965 1995 google books - Jul 23 2023

web eating fire selected poetry 1965 1995 margaret atwood google books the evolution of margaret atwood s poetry illuminates one of our major literary talents here as in her novels is intensity combined with sardonic detachment and in these early poems her genius for a level stare at the ordinary is wonderfully apparent