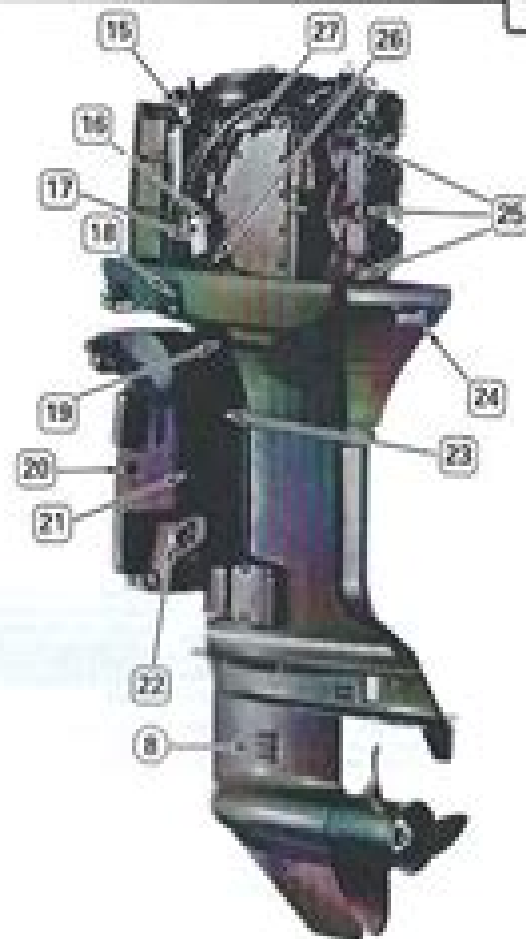


Item	Description	Page
1	Water Pump Indicator	11
2	Trimming Tilt Switch	11
3	Tilt Support Lever	11
4	Adjustment Knobs	11
5	Tilt Tab	26, 27
6	Propeller (not supplied)	26, 27
7	Adjustment Drain Oil Plug	26

Item	Description	Page
8	Water Intake	11
9	Adjustment Level Plug	11
10	Power Trim Oil Pressure	11
11	Tilt Lock Switch	11
12	Power Switch	11
13	Remote Control	11
14	Cleat and Lanyard Assembly	11



Item	Description	Page
15	Water Pump Filter	11
16	Water Pump Filter	11
17	Water Pump Filter	11
18	Water Pump Filter	11
19	Water Pump Filter	11
20	Water Pump Filter	11
21	Water Pump Filter	11
22	Water Pump Filter	11
23	Water Pump Filter	11
24	Water Pump Filter	11
25	Water Pump Filter	11
26	Water Pump Filter	11
27	Water Pump Filter	11
28	Water Pump Filter	11

Item	Description	Page
1	Oil Drain Plug	11
2	Model and Serial Number Plate	11
3	Engine Cover Latch	11
4	Spark Plug	11
5	Water Pressure Tap	11
6	Prop	11

Evinrude 70 Hp Service Manual

Christian G. Meyer



Evinrude 70 Hp Service Manual:

Evinrude 70 Hp Service Manual Book Review: Unveiling the Power of Words

In some sort of driven by information and connectivity, the energy of words has are more evident than ever. They have the capability to inspire, provoke, and ignite change. Such is the essence of the book **Evinrude 70 Hp Service Manual**, a literary masterpiece that delves deep in to the significance of words and their impact on our lives. Compiled by a renowned author, this captivating work takes readers on a transformative journey, unraveling the secrets and potential behind every word. In this review, we will explore the book is key themes, examine its writing style, and analyze its overall impact on readers.

https://py.bijouxmedusa.com/results/uploaded-files/HomePages/Section_31_1_Reptiles_Answer_Key.pdf

Table of Contents Evinrude 70 Hp Service Manual

1. Understanding the eBook Evinrude 70 Hp Service Manual
 - The Rise of Digital Reading Evinrude 70 Hp Service Manual
 - Advantages of eBooks Over Traditional Books
2. Identifying Evinrude 70 Hp Service Manual
 - Exploring Different Genres
 - Considering Fiction vs. Non-Fiction
 - Determining Your Reading Goals
3. Choosing the Right eBook Platform
 - Popular eBook Platforms
 - Features to Look for in an Evinrude 70 Hp Service Manual
 - User-Friendly Interface
4. Exploring eBook Recommendations from Evinrude 70 Hp Service Manual
 - Personalized Recommendations
 - Evinrude 70 Hp Service Manual User Reviews and Ratings
 - Evinrude 70 Hp Service Manual and Bestseller Lists

5. Accessing Evinrude 70 Hp Service Manual Free and Paid eBooks
 - Evinrude 70 Hp Service Manual Public Domain eBooks
 - Evinrude 70 Hp Service Manual eBook Subscription Services
 - Evinrude 70 Hp Service Manual Budget-Friendly Options
6. Navigating Evinrude 70 Hp Service Manual eBook Formats
 - ePub, PDF, MOBI, and More
 - Evinrude 70 Hp Service Manual Compatibility with Devices
 - Evinrude 70 Hp Service Manual Enhanced eBook Features
7. Enhancing Your Reading Experience
 - Adjustable Fonts and Text Sizes of Evinrude 70 Hp Service Manual
 - Highlighting and Note-Taking Evinrude 70 Hp Service Manual
 - Interactive Elements Evinrude 70 Hp Service Manual
8. Staying Engaged with Evinrude 70 Hp Service Manual
 - Joining Online Reading Communities
 - Participating in Virtual Book Clubs
 - Following Authors and Publishers Evinrude 70 Hp Service Manual
9. Balancing eBooks and Physical Books Evinrude 70 Hp Service Manual
 - Benefits of a Digital Library
 - Creating a Diverse Reading Collection Evinrude 70 Hp Service Manual
10. Overcoming Reading Challenges
 - Dealing with Digital Eye Strain
 - Minimizing Distractions
 - Managing Screen Time
11. Cultivating a Reading Routine Evinrude 70 Hp Service Manual
 - Setting Reading Goals Evinrude 70 Hp Service Manual
 - Carving Out Dedicated Reading Time
12. Sourcing Reliable Information of Evinrude 70 Hp Service Manual
 - Fact-Checking eBook Content of Evinrude 70 Hp Service Manual
 - Distinguishing Credible Sources
13. Promoting Lifelong Learning

- Utilizing eBooks for Skill Development
 - Exploring Educational eBooks
14. Embracing eBook Trends
- Integration of Multimedia Elements
 - Interactive and Gamified eBooks

Evinrude 70 Hp Service Manual Introduction

Free PDF Books and Manuals for Download: Unlocking Knowledge at Your Fingertips In today's fast-paced digital age, obtaining valuable knowledge has become easier than ever. Thanks to the internet, a vast array of books and manuals are now available for free download in PDF format. Whether you are a student, professional, or simply an avid reader, this treasure trove of downloadable resources offers a wealth of information, conveniently accessible anytime, anywhere. The advent of online libraries and platforms dedicated to sharing knowledge has revolutionized the way we consume information. No longer confined to physical libraries or bookstores, readers can now access an extensive collection of digital books and manuals with just a few clicks. These resources, available in PDF, Microsoft Word, and PowerPoint formats, cater to a wide range of interests, including literature, technology, science, history, and much more. One notable platform where you can explore and download free Evinrude 70 Hp Service Manual PDF books and manuals is the internet's largest free library. Hosted online, this catalog compiles a vast assortment of documents, making it a veritable goldmine of knowledge. With its easy-to-use website interface and customizable PDF generator, this platform offers a user-friendly experience, allowing individuals to effortlessly navigate and access the information they seek. The availability of free PDF books and manuals on this platform demonstrates its commitment to democratizing education and empowering individuals with the tools needed to succeed in their chosen fields. It allows anyone, regardless of their background or financial limitations, to expand their horizons and gain insights from experts in various disciplines. One of the most significant advantages of downloading PDF books and manuals lies in their portability. Unlike physical copies, digital books can be stored and carried on a single device, such as a tablet or smartphone, saving valuable space and weight. This convenience makes it possible for readers to have their entire library at their fingertips, whether they are commuting, traveling, or simply enjoying a lazy afternoon at home. Additionally, digital files are easily searchable, enabling readers to locate specific information within seconds. With a few keystrokes, users can search for keywords, topics, or phrases, making research and finding relevant information a breeze. This efficiency saves time and effort, streamlining the learning process and allowing individuals to focus on extracting the information they need. Furthermore, the availability of free PDF books and manuals fosters a culture of continuous learning. By removing financial barriers, more people can access educational resources and pursue lifelong learning, contributing to

personal growth and professional development. This democratization of knowledge promotes intellectual curiosity and empowers individuals to become lifelong learners, promoting progress and innovation in various fields. It is worth noting that while accessing free Evinrude 70 Hp Service Manual PDF books and manuals is convenient and cost-effective, it is vital to respect copyright laws and intellectual property rights. Platforms offering free downloads often operate within legal boundaries, ensuring that the materials they provide are either in the public domain or authorized for distribution. By adhering to copyright laws, users can enjoy the benefits of free access to knowledge while supporting the authors and publishers who make these resources available. In conclusion, the availability of Evinrude 70 Hp Service Manual free PDF books and manuals for download has revolutionized the way we access and consume knowledge. With just a few clicks, individuals can explore a vast collection of resources across different disciplines, all free of charge. This accessibility empowers individuals to become lifelong learners, contributing to personal growth, professional development, and the advancement of society as a whole. So why not unlock a world of knowledge today? Start exploring the vast sea of free PDF books and manuals waiting to be discovered right at your fingertips.

FAQs About Evinrude 70 Hp Service Manual Books

1. Where can I buy Evinrude 70 Hp Service Manual books? Bookstores: Physical bookstores like Barnes & Noble, Waterstones, and independent local stores. Online Retailers: Amazon, Book Depository, and various online bookstores offer a wide range of books in physical and digital formats.
2. What are the different book formats available? Hardcover: Sturdy and durable, usually more expensive. Paperback: Cheaper, lighter, and more portable than hardcovers. E-books: Digital books available for e-readers like Kindle or software like Apple Books, Kindle, and Google Play Books.
3. How do I choose a Evinrude 70 Hp Service Manual book to read? Genres: Consider the genre you enjoy (fiction, non-fiction, mystery, sci-fi, etc.). Recommendations: Ask friends, join book clubs, or explore online reviews and recommendations. Author: If you like a particular author, you might enjoy more of their work.
4. How do I take care of Evinrude 70 Hp Service Manual books? Storage: Keep them away from direct sunlight and in a dry environment. Handling: Avoid folding pages, use bookmarks, and handle them with clean hands. Cleaning: Gently dust the covers and pages occasionally.
5. Can I borrow books without buying them? Public Libraries: Local libraries offer a wide range of books for borrowing. Book Swaps: Community book exchanges or online platforms where people exchange books.

6. How can I track my reading progress or manage my book collection? Book Tracking Apps: Goodreads, LibraryThing, and Book Catalogue are popular apps for tracking your reading progress and managing book collections. Spreadsheets: You can create your own spreadsheet to track books read, ratings, and other details.
7. What are Evinrude 70 Hp Service Manual audiobooks, and where can I find them? Audiobooks: Audio recordings of books, perfect for listening while commuting or multitasking. Platforms: Audible, LibriVox, and Google Play Books offer a wide selection of audiobooks.
8. How do I support authors or the book industry? Buy Books: Purchase books from authors or independent bookstores. Reviews: Leave reviews on platforms like Goodreads or Amazon. Promotion: Share your favorite books on social media or recommend them to friends.
9. Are there book clubs or reading communities I can join? Local Clubs: Check for local book clubs in libraries or community centers. Online Communities: Platforms like Goodreads have virtual book clubs and discussion groups.
10. Can I read Evinrude 70 Hp Service Manual books for free? Public Domain Books: Many classic books are available for free as they're in the public domain. Free E-books: Some websites offer free e-books legally, like Project Gutenberg or Open Library.

Find Evinrude 70 Hp Service Manual :

[section 31 1 reptiles answer key](#)

[schiffman and kanuk consumer behavior pdf wordpress](#)

[serie alias jj hd mega 2016 descargar gratis](#)

[schema impianto elettrico bmw k75](#)

[saturn transit 2017 to 2020 sani peyarchi 2017](#)

[sea street nacto](#)

[sic power devices and modules rohm semiconductor](#)

[service manual chariot grandis](#)

[siemens aera mri protocols](#)

[simatic pes 7 systems course st pes7sys](#)

[simon blume mathematics for economists solutions](#)

[scrivener dummies gwen hernandez](#)

[satta matka morning 220 websites sattamatkamarket in](#)

sharepoint 2013 de principio a fin descargar

section 13 kolmogorov smirnov test mit opencourseware

Evinrude 70 Hp Service Manual :

you can trust god to write your story embracing the mysteries - May 29 2023

web learn why you really can trust god to write your story no matter what plot twists you may encounter along the way this is a unique and charming book integrating stories of

you can trust god to write your story revive our hearts - Feb 23 2023

web you can trust god to write your story embracing the mysteries of providence ebook wolgemuth nancy demoss wolgemuth robert d tada joni eareckson amazon ca

you can trust god to write your story embracing the - Nov 10 2021

you can trust god to write your story voice the christian post - Jul 19 2022

web jan 8 2020 you can trust god to write your story nancy demoss wolgemuth and her husband robert share how they are embracing the love story god is writing through

you can trust god to write your story embracing the mysteries - Jan 13 2022

web sep 3 2019 you can trust god to write your story embracing the mysteries of providence kindle edition by wolgemuth nancy demoss wolgemuth robert d tada

you can trust god to write your story embracing the mysteries - Dec 12 2021

web abebooks com you can trust god to write your story embracing the mysteries of providence 9780802419514 by wolgemuth nancy demoss wolgemuth robert d and

[you can trust god to write your story apple books](#) - Dec 24 2022

web you can trust god to write your story embracing the mysteries of providence by nancy demoss wolgemuth at abebooks co uk isbn 10 0802419518 isbn 13

you can trust god to write your story embracing the mysteries - Jan 25 2023

web sep 3 2019 15 99 publisher description what s god doing in your story our kids beg us for stories at bedtime or while we drive we gather around firepits and dinner

you can trust god to write your story embracing the - Oct 02 2023

web sep 2 2019 you can trust god to write your story embracing the mysteries of providence wolgemuth nancy demoss wolgemuth robert d wolgemuth nancy demoss wolgemuth robert d 9781640913004 amazon com books 45 47 38 books

you can trust god to write your story embracing the mysteries of - May 17 2022

web 4 7 out of 5 stars 4 7 out of 5 709 global ratings you can trust god to write your story embracing the mysteries of providence nancy demoss wolgemuth how customer

you can trust god to write your story embracing the - Aug 20 2022

web sep 21 2019 this book is about trusting god to write your story but as we ve said this is really about god s story his ways his watchful care over his creation his

you can trust god to write your story familylife - Jun 17 2022

web our kids beg us for stories at bedtime or while we drive we gather around firepits and dinner tables to tell and retell our favorite tales the more dramatic the better but when it

you can trust god to write your story embracing the - Sep 01 2023

web sep 1 2019 you can trust god to write your story is the first book written together by the husband and wife team nancy and robert though each have written several books

you can trust god to write your story embracing the - Jun 29 2023

web in their first book together best selling authors robert and nancy demoss wolgemuth share biblical and modern day stories of god s providence at work including their own story of

you can trust god to write your story embracing the mysteries - Jul 31 2023

web buy you can trust god to write your story embracing the mysteries of providence by nancy demoss wolgemuth isbn 9780802419514 from amazon s book store

you can trust god to write your story google books - Oct 22 2022

web you can trust god to write your story embracing the mysteries of providence by nancy demoss wolgemuth robert d wolgemuth joni eareckson tada publisher

you can trust god to write your story embracing the - Nov 22 2022

web that s why robert and nancy share their own story friends stories and the stories of people in the bible who have faced life altering challenges but in the end have found

you can trust god to write your story christian books moody - Mar 27 2023

web you can trust god to write your story embracing the mysteries of providence nancy demoss wolgemuth robert wolgemuth you can trust god to write your story is

hardcover september 3 2019 amazon com - Feb 11 2022

web you can trust god to write your story is the first book written together by the husband and wife team nancy and robert though each have written several books by

you can trust god to write your story embracing the mysteries - Sep 20 2022

web aug 23 2019 he s writing your story and it s a part of his bigger grander eternal story but we re still in the middle we haven t gotten to the happy ending yet and it can be

[you can trust god to write your story embracing the mysteries](#) - Apr 27 2023

web you can trust god to write your story embracing the mysteries of providence ebook written by nancy demoss wolgemuth robert d wolgemuth read this book using

you can trust god to write your story youtube - Mar 15 2022

web sep 3 2019 his newest books are like the shepherd leading your marriage with love and grace lies men believe and the truth the sets them free and you can trust

amazon com customer reviews you can trust god to write - Apr 15 2022

web jul 20 2020 share your videos with friends family and the world

disk brake an overview sciencedirect topics - Nov 06 2022

web apr 14 2022 according to the average wear volume of a single brake the wear life prediction of the brake disc is calculated under different braking conditions

[thermal analysis of a disc brake wolfram](#) - Jun 01 2022

web mar 26 2019 in preliminary calculations one dimensional analytical models and empirical formulas are taken an example is determining an average temperature of a brake disc

mitcalc calculation of friction brakes and clutches - Oct 05 2022

web this paper deals with shape and size optimization of rotor of disc brakes using static structural and transient thermal analysis the purpose of this study is to design a disc

[wear calculation and life prediction model of disc brake based on](#) - Mar 30 2022

[fundamentals of brake calculation baja tutor](#) - Sep 23 2021

design analysis and calculations of an optimized braking - Aug 03 2022

web the design and analysis of brake disc rotor for fsae sae supra the disc is designed by considering all the standard parameters for a formula student vehicle like weight

[braking calculations literature](#) - Apr 11 2023

web jan 1 2021 braking torque calculations various vehicle parameters which are used to determine the weight transfer while braking are shown in table 1

maximum temperature of the disc during repeated braking - Oct 25 2021

disc brake mathworks - May 12 2023

web example 13 7 a caliper brake is required for the front wheels of a passenger car with a braking capacity of 320 n m for each brake preliminary design estimates have set the

force friction analysis of disc brake of 2 - Apr 30 2022

web brake fluid is required to take up running clearance it is also needed to compensate for lack of stiffness of the brake housing for a disc brake the following approximation can be

disk brake design equations and calculator engineers - Aug 15 2023

web a disc brake converts brake cylinder pressure from the brake cylinder into force the disc brake applies the force at the brake pad mean radius the equation that the block uses

engineering inspiration brake system design calculations - Jul 14 2023

web $f_b = 2 \mu f_n$ where μ is the coefficient of friction between the pad and the disc a nominal value of 0.4 is assumed for fully conditioned pads of standard material braking torque

vol 7 issue 8 august 2018 design and optimization of disc - Feb 26 2022

design and analysis of brake disc assembly for an fsae vehicle - Sep 04 2022

web i introduction the model of brake disc is designed based on analytical measurements and standard values available from the standard catalog the brake disc

disk and shoe brake equations and calculators - Mar 10 2023

web all the calculation performed are based on the industrial standard parameters and the design is verified using nastran solver and simulated in fusion 360 key words

6 6 disc friction engineering libretxts - Jan 08 2023

web normally a brake system has a disk and two brake pads acting on the disk from both sides due to the second symmetry it is possible to half the disk thickness and only

disc brake calculations excelcalcs - Feb 09 2023

web 4 2 modal analysis of disc brake fig 6 frequency and total deformation of disc brake v conclusions using carbon ceramic matrix disc brake material calculating normal

the design process for a formula student car brake disc sae - Dec 07 2022

web aug 21 2020 the disc brake is a device for slowing or stopping the rotation of a wheel of vehicles with minimum

stopping distance friction causes the disc and attached wheel to

design and analysis of disc brake ijett - Jul 02 2022

web oct 5 2022 the study of temperature changes at the working interface of disc brakes during braking is of great significance to the selection of brake friction pairs and the

disk brakes torque and force the engineering toolbox - Jun 13 2023

web oct 1 2021 the numerical calculation is calculated to find required forces and torque based on inputs from vehicle dynamics the objective of this paper is to design optimize

design and analysis of motorcycle disk brake viva technology - Jan 28 2022

design and analysis of brake rotor for formula - Dec 27 2021

research progress of temperature field calculation of disc brake - Nov 25 2021

report financing of geothermal projects preparing feasibility - May 23 2022

web preliminary financial modelling with probabilistic approach for geothermal development project in indonesia to cite this article ade lesmana et al 2020 iop conf ser earth environ sci 417 012024

developing a sustainable financing model for geothermal - Jan 31 2023

web financial modeling of geothermal power projects paul k ngugi published 2014 economics a financial model is an essential tool that helps to define key financial

model approach for geothermal project financing drawn up for the - Jun 23 2022

web aug 13 2021 a new report prepared by icelandic geothermal experts for the world bank s energy sector management assistance program esmap offers guidelines for the

financing geothermal innovative schemes for new business - May 03 2023

web jun 22 2022 the financial valuation of geothermal energy projects has been carried out through several applications of discounted cash flow methods such as net present value

preliminary financial modelling with probabilistic approach for - Mar 21 2022

web project finance model provides a forecast and profitability analysis of a development and operating scenario for a geothermal energy plant the main purpose of the model is to

developing a sustainable financing model for geothermal - Nov 28 2022

web nov 7 2022 the objective was to identify and describe new and innovative finance models which could be used to realize

financing for geothermal projects including

the crowdthermal project creating public acceptance of - Oct 28 2022

web feasibility of developing a new geothermal power project depends on the financial return that would result from the investment 1 a financial model is developed to simulate the

financial modelling of geothermal projects semantic scholar - Jun 04 2023

web geothermal projects can attract private financing which business models and which financing schemes are currently being developed and what trends are emerging

geothermal handbook planning and financing - Jul 05 2023

web engineers and geoscientists preparing feasibility studies for geothermal projects need to include some form of financial model of the proposed project their model usually

paper open access preliminary financial modelling with probabilistic - Apr 21 2022

web mar 20 2019 preliminary financial modelling with probabilistic approach for geothermal development project in indonesia conference 8th itb international geothermal

preliminary financial modelling with probabilistic approach for - Jul 25 2022

web nov 25 2020 model approach for geothermal project financing drawn up for the netherlands report screenshot source ebn alexander richter 25 nov 2020 as part of

the global geothermal development plan mitigating upstream cost - Jan 19 2022

web aug 1 2022 community investors and project developers have access to an interactive guide to integrated finance in geothermal energy enabling them to perform a self

business models to finance geothermal projects georisk project - Mar 01 2023

web aug 25 2020 esdma analyzes geothermal project complexity and explores robust policies under deep uncertainties while efma analyzes the project s financial

preparing feasibility studies for the financing of - Aug 06 2023

web figure 3 6 models of geothermal power development in international practice 101 figure 3 7 two dimensional framework of supply integration vs unbundling and public vs

geothermal power projects valuation model springerlink - Apr 02 2023

web oct 6 2020 geothermal financial characteristics the fundamental problem the risk and therefore upfront cost profile of geothermal projects resembles oil and gas projects but a barrel of hot water is worth 0 50 not 45 70 before covid19 the

returns on a geothermal project resemble utility projects

financial modelling of geothermal projects - Oct 08 2023

web engineers and geoscientists preparing feasibility studies for geothermal projects need to include some form of financial model of the proposed project their model usually presents a fairly accurate projection of capital and operating costs but is often insufficient

[finance and business model analysis geothermal](#) - Sep 07 2023

web financial analysis and investment appraisal a financial analysis showing that the project has a sound financial basis and considers both costs and revenues even though the

[financial modeling of geothermal power projects](#) - Aug 26 2022

web mar 21 2019 this paper discussed some regulations which are related to the economics of geothermal development project in indonesia and a simple example of financial

a a bawono and e kusrini iopscience - Sep 26 2022

web three types of financial models are prepared in the life of a geothermal power project the project inception model is prepared to demonstrate that the project financial

[geothermal energy project finance model efinancialmodels](#) - Feb 17 2022

web nov 10 2020 indonesia geothermal resource risk mitigation project approved in fy2020 developed risk mitigation model to facilitate private sector involvement in geothermal exploration implemented under the project to develop a 600mw pipeline of geothermal power plants

making geothermal projects a public matter cordis - Dec 18 2021

[financial modeling of geothermal power projects](#) - Dec 30 2022

web request pdf on jun 16 2020 marmelia p dewi and others published developing a sustainable financing model for geothermal projects a conceptual framework