

Var  
Eqn.

VAR

VAR1

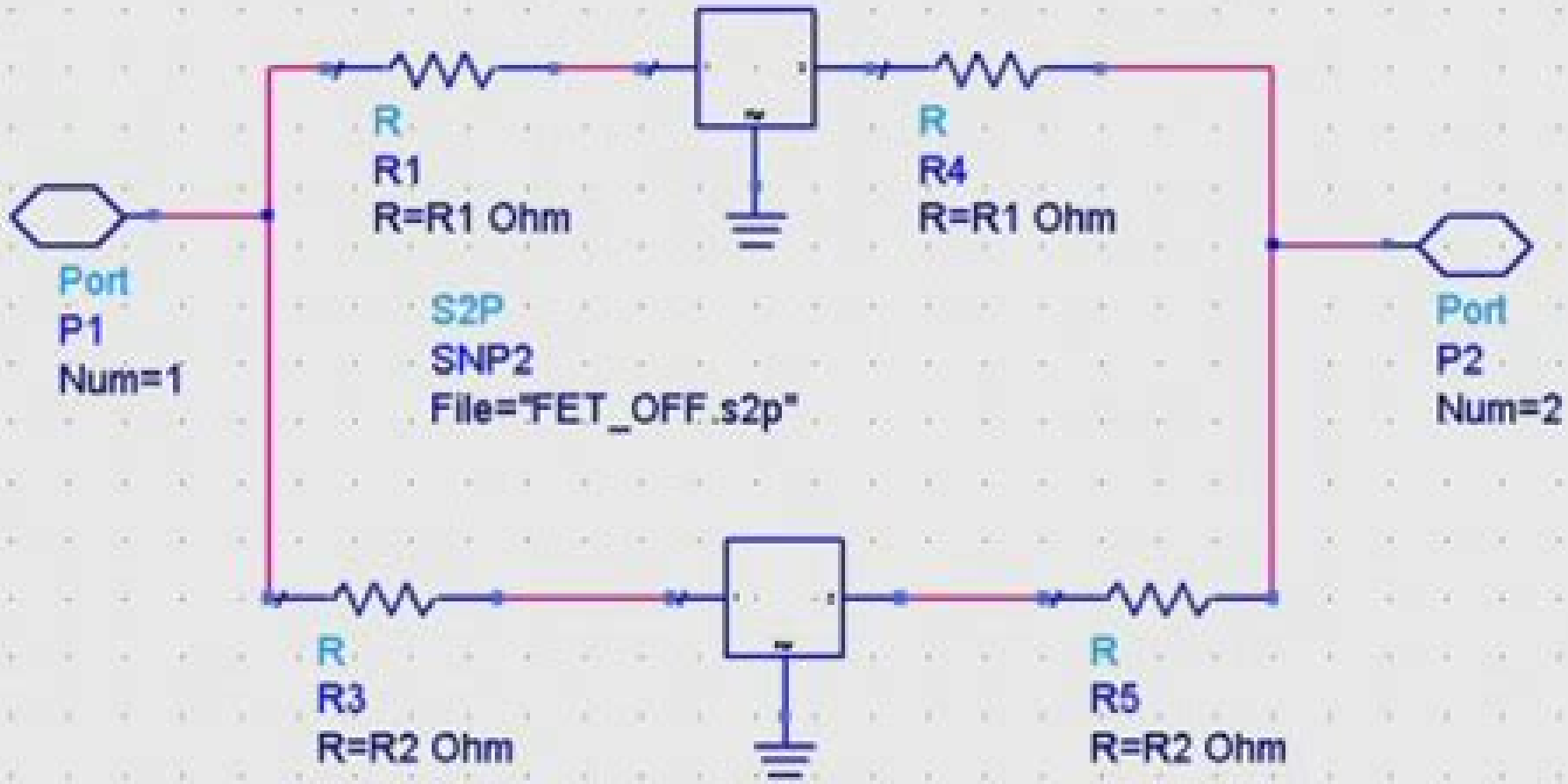
$$R1=(1.000000001-ON)/(0.000000001+ON)$$

$$R2=1/R1$$

S2P +

SNP1

File="FET\_ON.s2p"



## Example Circuit Using Ads 3

**D Kirk**



**Example Circuit Using Ads 3 :**

## Embracing the Tune of Expression: An Psychological Symphony within **Example Circuit Using Ads 3**

In a global eaten by screens and the ceaseless chatter of quick conversation, the melodic splendor and emotional symphony produced by the published term often disappear into the backdrop, eclipsed by the relentless sound and distractions that permeate our lives. Nevertheless, nestled within the pages of **Example Circuit Using Ads 3** a stunning fictional value filled with natural emotions, lies an immersive symphony waiting to be embraced. Constructed by a wonderful musician of language, this interesting masterpiece conducts visitors on a mental journey, skillfully unraveling the concealed tunes and profound affect resonating within each cautiously constructed phrase. Within the depths of this moving examination, we shall examine the book is key harmonies, analyze their enthralling writing fashion, and surrender ourselves to the profound resonance that echoes in the depths of readers souls.

<https://py.bijouxmedusa.com/data/publication/Documents/the%20reef%20aquarium%20vol%202%20a%20comprehensive%20guide%20to%20the%20identification%20and%20care%20of%20tropical%20marine%20invertebrates.pdf>

### **Table of Contents Example Circuit Using Ads 3**

1. Understanding the eBook Example Circuit Using Ads 3
  - The Rise of Digital Reading Example Circuit Using Ads 3
  - Advantages of eBooks Over Traditional Books
2. Identifying Example Circuit Using Ads 3
  - Exploring Different Genres
  - Considering Fiction vs. Non-Fiction
  - Determining Your Reading Goals
3. Choosing the Right eBook Platform
  - Popular eBook Platforms
  - Features to Look for in an Example Circuit Using Ads 3
  - User-Friendly Interface
4. Exploring eBook Recommendations from Example Circuit Using Ads 3

- Personalized Recommendations
  - Example Circuit Using Ads 3 User Reviews and Ratings
  - Example Circuit Using Ads 3 and Bestseller Lists
5. Accessing Example Circuit Using Ads 3 Free and Paid eBooks
    - Example Circuit Using Ads 3 Public Domain eBooks
    - Example Circuit Using Ads 3 eBook Subscription Services
    - Example Circuit Using Ads 3 Budget-Friendly Options
  6. Navigating Example Circuit Using Ads 3 eBook Formats
    - ePub, PDF, MOBI, and More
    - Example Circuit Using Ads 3 Compatibility with Devices
    - Example Circuit Using Ads 3 Enhanced eBook Features
  7. Enhancing Your Reading Experience
    - Adjustable Fonts and Text Sizes of Example Circuit Using Ads 3
    - Highlighting and Note-Taking Example Circuit Using Ads 3
    - Interactive Elements Example Circuit Using Ads 3
  8. Staying Engaged with Example Circuit Using Ads 3
    - Joining Online Reading Communities
    - Participating in Virtual Book Clubs
    - Following Authors and Publishers Example Circuit Using Ads 3
  9. Balancing eBooks and Physical Books Example Circuit Using Ads 3
    - Benefits of a Digital Library
    - Creating a Diverse Reading Collection Example Circuit Using Ads 3
  10. Overcoming Reading Challenges
    - Dealing with Digital Eye Strain
    - Minimizing Distractions
    - Managing Screen Time
  11. Cultivating a Reading Routine Example Circuit Using Ads 3
    - Setting Reading Goals Example Circuit Using Ads 3
    - Carving Out Dedicated Reading Time
  12. Sourcing Reliable Information of Example Circuit Using Ads 3

- Fact-Checking eBook Content of Example Circuit Using Ads 3
  - Distinguishing Credible Sources
13. Promoting Lifelong Learning
- Utilizing eBooks for Skill Development
  - Exploring Educational eBooks
14. Embracing eBook Trends
- Integration of Multimedia Elements
  - Interactive and Gamified eBooks

### **Example Circuit Using Ads 3 Introduction**

Free PDF Books and Manuals for Download: Unlocking Knowledge at Your Fingertips In today's fast-paced digital age, obtaining valuable knowledge has become easier than ever. Thanks to the internet, a vast array of books and manuals are now available for free download in PDF format. Whether you are a student, professional, or simply an avid reader, this treasure trove of downloadable resources offers a wealth of information, conveniently accessible anytime, anywhere. The advent of online libraries and platforms dedicated to sharing knowledge has revolutionized the way we consume information. No longer confined to physical libraries or bookstores, readers can now access an extensive collection of digital books and manuals with just a few clicks. These resources, available in PDF, Microsoft Word, and PowerPoint formats, cater to a wide range of interests, including literature, technology, science, history, and much more. One notable platform where you can explore and download free Example Circuit Using Ads 3 PDF books and manuals is the internet's largest free library. Hosted online, this catalog compiles a vast assortment of documents, making it a veritable goldmine of knowledge. With its easy-to-use website interface and customizable PDF generator, this platform offers a user-friendly experience, allowing individuals to effortlessly navigate and access the information they seek. The availability of free PDF books and manuals on this platform demonstrates its commitment to democratizing education and empowering individuals with the tools needed to succeed in their chosen fields. It allows anyone, regardless of their background or financial limitations, to expand their horizons and gain insights from experts in various disciplines. One of the most significant advantages of downloading PDF books and manuals lies in their portability. Unlike physical copies, digital books can be stored and carried on a single device, such as a tablet or smartphone, saving valuable space and weight. This convenience makes it possible for readers to have their entire library at their fingertips, whether they are commuting, traveling, or simply enjoying a lazy afternoon at home. Additionally, digital files are easily searchable, enabling readers to locate specific information within seconds. With a few keystrokes, users can search for keywords, topics, or phrases, making research and finding relevant information a breeze. This efficiency

saves time and effort, streamlining the learning process and allowing individuals to focus on extracting the information they need. Furthermore, the availability of free PDF books and manuals fosters a culture of continuous learning. By removing financial barriers, more people can access educational resources and pursue lifelong learning, contributing to personal growth and professional development. This democratization of knowledge promotes intellectual curiosity and empowers individuals to become lifelong learners, promoting progress and innovation in various fields. It is worth noting that while accessing free Example Circuit Using Ads 3 PDF books and manuals is convenient and cost-effective, it is vital to respect copyright laws and intellectual property rights. Platforms offering free downloads often operate within legal boundaries, ensuring that the materials they provide are either in the public domain or authorized for distribution. By adhering to copyright laws, users can enjoy the benefits of free access to knowledge while supporting the authors and publishers who make these resources available. In conclusion, the availability of Example Circuit Using Ads 3 free PDF books and manuals for download has revolutionized the way we access and consume knowledge. With just a few clicks, individuals can explore a vast collection of resources across different disciplines, all free of charge. This accessibility empowers individuals to become lifelong learners, contributing to personal growth, professional development, and the advancement of society as a whole. So why not unlock a world of knowledge today? Start exploring the vast sea of free PDF books and manuals waiting to be discovered right at your fingertips.

### **FAQs About Example Circuit Using Ads 3 Books**

How do I know which eBook platform is the best for me? Finding the best eBook platform depends on your reading preferences and device compatibility. Research different platforms, read user reviews, and explore their features before making a choice. Are free eBooks of good quality? Yes, many reputable platforms offer high-quality free eBooks, including classics and public domain works. However, make sure to verify the source to ensure the eBook credibility. Can I read eBooks without an eReader? Absolutely! Most eBook platforms offer webbased readers or mobile apps that allow you to read eBooks on your computer, tablet, or smartphone. How do I avoid digital eye strain while reading eBooks? To prevent digital eye strain, take regular breaks, adjust the font size and background color, and ensure proper lighting while reading eBooks. What the advantage of interactive eBooks? Interactive eBooks incorporate multimedia elements, quizzes, and activities, enhancing the reader engagement and providing a more immersive learning experience. Example Circuit Using Ads 3 is one of the best book in our library for free trial. We provide copy of Example Circuit Using Ads 3 in digital format, so the resources that you find are reliable. There are also many Ebooks of related with Example Circuit Using Ads 3 . Where to download Example Circuit Using Ads 3 online for free? Are you looking for Example Circuit Using Ads 3 PDF? This is

definitely going to save you time and cash in something you should think about. If you trying to find then search around for online. Without a doubt there are numerous these available and many of them have the freedom. However without doubt you receive whatever you purchase. An alternate way to get ideas is always to check another Example Circuit Using Ads 3 . This method for see exactly what may be included and adopt these ideas to your book. This site will almost certainly help you save time and effort, money and stress. If you are looking for free books then you really should consider finding to assist you try this. Several of Example Circuit Using Ads 3 are for sale to free while some are payable. If you arent sure if the books you would like to download works with for usage along with your computer, it is possible to download free trials. The free guides make it easy for someone to free access online library for download books to your device. You can get free download on free trial for lots of books categories. Our library is the biggest of these that have literally hundreds of thousands of different products categories represented. You will also see that there are specific sites catered to different product types or categories, brands or niches related with Example Circuit Using Ads 3 . So depending on what exactly you are searching, you will be able to choose e books to suit your own need. Need to access completely for Campbell Biology Seventh Edition book? Access Ebook without any digging. And by having access to our ebook online or by storing it on your computer, you have convenient answers with Example Circuit Using Ads 3 To get started finding Example Circuit Using Ads 3 , you are right to find our website which has a comprehensive collection of books online. Our library is the biggest of these that have literally hundreds of thousands of different products represented. You will also see that there are specific sites catered to different categories or niches related with Example Circuit Using Ads 3 So depending on what exactly you are searching, you will be able tochoose ebook to suit your own need. Thank you for reading Example Circuit Using Ads 3 . Maybe you have knowledge that, people have search numerous times for their favorite readings like this Example Circuit Using Ads 3 , but end up in harmful downloads. Rather than reading a good book with a cup of coffee in the afternoon, instead they juggled with some harmful bugs inside their laptop. Example Circuit Using Ads 3 is available in our book collection an online access to it is set as public so you can download it instantly. Our digital library spans in multiple locations, allowing you to get the most less latency time to download any of our books like this one. Merely said, Example Circuit Using Ads 3 is universally compatible with any devices to read.

### **Find Example Circuit Using Ads 3 :**

**[the reef aquarium vol 2 a comprehensive guide to the identification and care of tropical marine invertebrates](#)**

**[the origins of virtue by matt ridley](#)**

**[the netter collection of medical illustrations cardiovascular system volume 8 2e netter green book collection](#)**

**[theory of knowledge for the ib diploma](#)**

the road less traveled a new psychology of love values and spiritual growth 25th anniversary edition

theological political treatise baruch spinoza

the strategy book max mckeown chaonvore

**the tangled bank an introduction to evolution**

**the personal mba master art of business josh kaufman**

**the photography bible a complete guide for the 21st century photographer**

the rule of thoughts mortality doctrine 2 james dashner

the secret diary of laura palmer a twin peaks book

**the supernatural book of monsters spirits demons and ghouls alex irvine**

think like a champion an informal education in business and life donald trump

the physicians handbook of clinical nutrition

### Example Circuit Using Ads 3 :

south park the stick of truth hikayesi türkçe altyazılı youtube - Feb 02 2022

may 9 2021 south park the stick of truth 2014 yılından itibaren piyasaya sürülen komedi dolu bir macera oyunudur tek oyunu özelliğinde olan bu strateji yabancı oyunda yeni bir göreve

amazon com customer reviews the secret art of stunt driving - Dec 12 2022

until now the world of stunt car driving has been a secret mark aisebett professional stunt driver reveals all the stunt driving inside information he s learned over the last 20 years in

south park the stick of truth İndir full türkçe torrent - Jan 01 2022

the secret art of stunt driving all the insider tricks of driving at - Jun 18 2023

the secret art of stunt driving all the insider tricks of driving at the edge ebook aisebett mark amazon in kindle store

**the art of intelligent driving youtube** - Mar 03 2022

bu videoda south park the stick of truth hikayesi south park the stick of truth türkçe yama kullanılarak yorumuz türkçe oynanış ile türkçe altyazılı tüm oy

the secret art of stunt driving all the insider tricks of driving at - Aug 08 2022

the secret art of stunt driving all the insider t 5 5 color were regularly denied stunt work for decades stuntwomen have faced institutional discrimination unequal pay and sexual

**art of stunt on steam** - Apr 04 2022

sep 2 2007 when most of us learn to drive we are essentially taught the rules of the road the location of the pedals and nothing more learn the art of intelligent dr

**the secret art of stunt driving all the insider tricks of driving** - Jun 06 2022

the secret art of stunt driving all the insider tricks of driving at the edge english edition by mark aisbett secret art of stunt driving is a step by step guide that will give you a real

*the secret art of stunt driving all the insider tricks* - Aug 20 2023

buy the secret art of stunt driving all the insider tricks of driving at the edge 1st by mark aisbett isbn 9780968486511 from amazon s book store everyday low prices and free

**the secret art of stunt driving all the insider tricks of driving at** - May 17 2023

this book walks you through everything it takes to execute all the slides with precision and safety mark aisbett professionally teaches you how to do each and every slide and drift you see in

the secret art of stunt driving all the insider tricks - Apr 16 2023

the secret art of stunt driving all the insider tricks of driving at the edge softcover isbn 10 0968486517 isbn 13 9780968486511 lifedriversonline inc over 200 photos how to

**the secret art of stunt driving all the insider t download only** - Jul 07 2022

20 mind blowing stunt driving videos popular mechanics hey let s go to stunt school home wings and slicks daniel craig s stunt driver on the best robb report the secret art of stunt

**the secret art of stunt driving all the insider tricks of driving at** - Nov 11 2022

214 pages paperback first published january 12 2009 book details editions

**the secret art of stunt driving all the insider tricks of driving** - May 05 2022

art of stunt is a third person physics sandbox destruction game in which you control a stuntman as he completes thrilling stunts in a variety of scenes the rules of the game are simple just

**the secret art of stunt driving all the insider tricks of driving at** - Feb 14 2023

mark aisbett stunt dude par excellence in the words of linda richards of january magazine is giving away the secrets of stunt driving in his newest book the secret art of stunt driving

**the secret art of stunt driving all the insider tricks of driving at** - Mar 15 2023

the secret art of stunt driving all the insider tricks of driving at the edge mark aisbett 9780968486511 books amazon ca [read pdf the secret art of stunt driving all the insider](#) - Sep 09 2022

mark aisbett professionally teaches you how to do each and every slide and drift you see in film correctly 45 s 90 s 180 s reverse 180 s and 360 s it starts with laying what he calls a

**the secret art of stunt driving all the insider tricks of driving at** - Oct 10 2022

step by step this book walks you through everything it takes to execute all the slides with precision and safety mark aisbett professionally teaches you how to do each and every slide

*the secret art of stunt driving all the insider tricks of driving at* - Jan 13 2023

find helpful customer reviews and review ratings for the secret art of stunt driving all the insider tricks of driving at the edge at amazon com read honest and unbiased product

**the secret art of stunt driving all the insider tricks of** - Sep 21 2023

jan 12 2009 this book will give all drivers whether they are a novice or already have some experience with stunt performing a deeper understanding of all the aspects of stunt driving

**the secret art of stunt driving all the insider tricks of driving at** - Jul 19 2023

the secret art of stunt driving all the insider tricks of driving at the edge mark aisbett amazon in books

**dave ramsey s complete guide to money ramsey solutions** - Dec 08 2022

web dave ramsey is an eight time national bestselling author personal finance expert and host of the ramsey show he has appeared on good morning america cbs this morning today fox news cnn fox business and many more since 1992 dave has helped people take control of their money build wealth and enhance their lives

**dave ramsey s complete guide to money** - Nov 07 2022

web dave ramsey s complete guide to money offers the ultra practical way to learn how money works these are the principles dave learned after losing everything they re the same principles that have helped millions of families go from the stress of debt to the peace of knowing the future is secure

**the money answer book dave ramsey** - Apr 12 2023

web quick answers to your everyday money questions this book provides answers to more than 100 of the most asked questions from the ramsey show formerly known as the dave ramsey show personal finance is 80 behavior and only 20 head knowledge get smart get motivated get going what it s about

**dave ramsey on fixing your relationship with money how** - Sep 05 2022

web aug 22 2022 only on calm jay shetty chats with dave ramsey to talk about having a healthy relationship with our finances having a lot of money buying a house owning expensive cars living in luxury many of us dream of having a purposeful and productive life and we work hard to reach this goal

*dave ramsey s complete guide to money the handbook of* - Mar 31 2022

web real estate business if that guy were to call in to the dave ramsey show today i d chew him out for being so stupid with his money but hey we ve got to start somewhere right i started at the bottom of a huge money pit as i got my life back on

track i went on a crusade to figure out how money works i read everything i could get my hands

*4 pieces of dave ramsey money advice that might not apply to* - Jan 29 2022

web 1 day ago the second step in dave ramsey s 7 baby steps encourages using the debt snowball method to pay off all debt except what you owe on your home debt snowball prioritizes paying off debt with the

*dave ramsey ch 10 money and relationships quizlet* - Mar 11 2023

web dave ramsey ch 10 money and relationships 5 0 1 review allowance click the card to flip don t necessarily have to work to earn this click the card to flip 1 37

**money marriage and communication ramsey** - Dec 28 2021

web sep 27 2021 study summary money is the number one issue married couples argue about 86 of couples who got married in the last five years started out in debt the higher a couple s debt burden the more likely they are to argue about money couples in healthy marriages are much more likely to talk about their money dreams and make long term

**the money answer book google books** - Feb 27 2022

web questions and answers deal with 100 of the most asked questions from the dave ramsey show everything from budget planning to retirement planning or personal buying matters to saving for college and charitable giving

chapter 9 relating with money test c dave ramsey quizlet - Jul 15 2023

web terms in this set 44 the number one cause of divorce in this country is child care issues when teaching children how to handle money start with three envelopes give save spend if you are single it is not necessary to have an accountability partner

**dave ramsey s complete guide to money google books** - Oct 06 2022

web jan 1 2012 dave ramsey s complete guide to money covers the a to z of dave s money teaching including how to budget save dump debt and invest you ll also learn all about insurance mortgage

financial math dave ramsey relating with money parts 3 and 4 - Jun 02 2022

web dave ramsey relating with money parts 3 and 4

*relating with money dave ramsey 9780976963042* - May 01 2022

web may 16 2011 in this vital section relating with money dave reveals that money isn t always just about money usually it is about so much more

**101 dave ramsey quotes about money and debt parade** - Aug 04 2022

web finance expert dave ramsey shares quotable advice on how to save money get out of debt live like no one else and become a millionaire just follow these 101 inspiring dave ramsey quotes

**financial math dave ramsey relating with money parts 1 and 2** - Jul 03 2022

web jan 29 2021 dave ramsey relating with money parts 1 and 2 dave tells stories about how married couples deal with money and how those dealings affect the marriages adve

[the money answer book quick answers to your everyday f](#) - Feb 10 2023

web jan 17 2005 questions and answers deal with 100 of the most asked questions from the dave ramsey show everything from budget planning to retirement planning or personal buying matters to saving for college and charitable giving

**lesson 2 relating with money darryljacobsen wixsite com** - Jun 14 2023

web feb 7 2016 as taught by dave ramsey lesson 2 relating with money post not marked as liked featured posts lesson 9 the great misunderstanding lesson 8 real estate mortgages lesson 7 retirement and college planning lesson 6 the role of insurance clause effect lesson 5 buyer beware

[chapter 9 relating with money review guide for dave ramsey test quizlet](#) - Aug 16 2023

web study with quizlet and memorize flashcards containing terms like the flow of money in a family represents the under which that family operates men it s boring and not enough women it s the most key to our financial plan

**relating with money by dave ramsey goodreads** - May 13 2023

web may 16 2011 most people never realize the impact that the issue of money has on their personal and family lives studies show that the 1 cause of divorce in north america is money fights and money problems single adults often live loose financial lives because of a marked lack of accountability children are raised with no clear financial training from

**the money answer book by dave ramsey ebook scribd** - Jan 09 2023

web may 16 2010 how to take control of your money in 2022 with dave ramsey this is the year to get out of debt take control of your money and create the life you love ready to get started in this episode you ll hear 10 things to do differently with your money in 2022 with dave ramsey how to save 1 000 in a month how t by the rachel cruze show

[hypnosystemische perspektiven im change management](#) - Dec 27 2021

web hypnosystemische perspektiven im change management veränderung steuern in einer volatilen komplexen und widersprüchlichen welt is written by vera starker tilman

**hypnosystemische perspektiven im change management** - Feb 09 2023

web jan 1 2021 der inhalt change management aus hypnosystemischer sicht aktuelle perspektiven und erfolgswahrscheinlichkeiten im change management in einer

**hypnosystemische perspektiven im change management** - Apr 30 2022

web go digital buy ebook hypnosystemische perspektiven im change management 2nd 2 aufl 2021 edition by peschke tilman starker vera published by springer nature isbn

[hypnosystemische perspektiven im change management](#) - Oct 25 2021

web Über dieses buch dieses buch stellt hypnosystemische und neurobiologische ansätze zur gestaltung von veränderungsprozessen vor mit dem ziel die entwicklungsvarianz

**hypnosystemische perspektiven im change management** - Nov 25 2021

web buy hypnosystemische perspektiven im change management 2nd 2 aufl 2021 edition ebooks from kortext com by peschke tilman starker vera from springer nature

**amazon com hypnosystemische perspektiven im change** - Jan 28 2022

web amazon com hypnosystemische perspektiven im change management veränderung steuern in einer volatilen komplexen und widersprüchlichen welt german edition

**hypnosystemische perspektiven im change management** - Sep 04 2022

web vera starker tilman peschke 2021 hypnosystemische perspektiven im change management springer books springer edition 2 number 978 3 662 64359 4

**hypnosystemische perspektiven im change management** - Jul 02 2022

web hypnosystemische perspektiven im change management author abstract download related works more corrections author listed vera starker tilman peschke

**hypnosystemische perspektiven im change management** - Apr 11 2023

web dieses in zweiter auflage komplett überarbeitete und erweiterte buch stellt hypnosystemische und neurobiologische ansätze zur gestaltung von

*hypnosystemische perspektiven im change management* - Jun 13 2023

web dieses buch stellt hypnosystemische und neurobiologische ansätze zur gestaltung von veränderungsprozessen vor mit dem ziel die entwicklungsvarianz von unternehmen in

**hypnosystemische perspektiven im change management** - Nov 06 2022

web rakuten kobo dan vera starker tarafindan hypnosystemische perspektiven im change management veränderung steuern in einer volatilen komplexen und widersprüchlichen

**hypnosystemische perspektiven im change management** - Aug 03 2022

web hypnosystemische perspektiven im change management book read reviews from world s largest community for readers vorwort dr gunther schmidt 1 einl

*hypnosystemische perspektiven im change management 2nd* - Jun 01 2022

web hypnosystemische perspektiven im change management veränderung steuern in einer volatilen komplexen und widersprüchlichen welt 2nd edition is written by vera starker

**hypnosystemische perspektiven im change management open** - Jan 08 2023

web hypnosystemische perspektiven im change management veränderung steuern in einer volatilen komplexen und widersprüchlichen welt by vera starker and tilman peschke

**hypnosystemische perspektiven im change** - Jul 14 2023

web change management aus hypnosystemischer sicht aktuelle perspektiven und erfolgswahrscheinlichkeiten im change management in einer volatilen und komplexen

*hypnosystemische perspektiven im change management* - Feb 26 2022

web hypnosystemische perspektiven im change management veränderung steuern in einer volatilen komplexen und widersprüchlichen welt german edition starker vera

hypnosystemische perspektiven im change management - Oct 05 2022

web jan 1 2017 der inhalt change management aus hypnosystemischer sicht aktuelle perspektiven und erfolgswahrscheinlichkeiten im change management in einer

**hypnosystemische perspektiven im change management** - May 12 2023

web oct 24 2017 dieses buch stellt hypnosystemische und neurobiologische ansätze zur gestaltung von veränderungsprozessen vor mit dem ziel die entwicklungsvarianz von

**hypnosystemische perspektiven im change management** - Dec 07 2022

web rakuten kobo dan tilman peschke tarafindan hypnosystemische perspektiven im change management veränderung steuern in einer volatilen komplexen und

**hypnosystemische perspektiven im change** - Aug 15 2023

web about this book dieses buch stellt hypnosystemische und neurobiologische ansätze zur gestaltung von veränderungsprozessen vor mit dem ziel die entwicklungsvarianz von

hypnosystemische perspektiven im change management m 1 - Mar 30 2022

web teilen dieses buch stellt hypnosystemische und neurobiologische ansätze zur gestaltung von veränderungsprozessen vor mit dem ziel die entwicklungsvarianz von

*hypnosystemische perspektiven im change management open* - Mar 10 2023

web hypnosystemische perspektiven im change management by vera starker tilman peschke 2021 springer berlin heidelberg edition in german deutsch