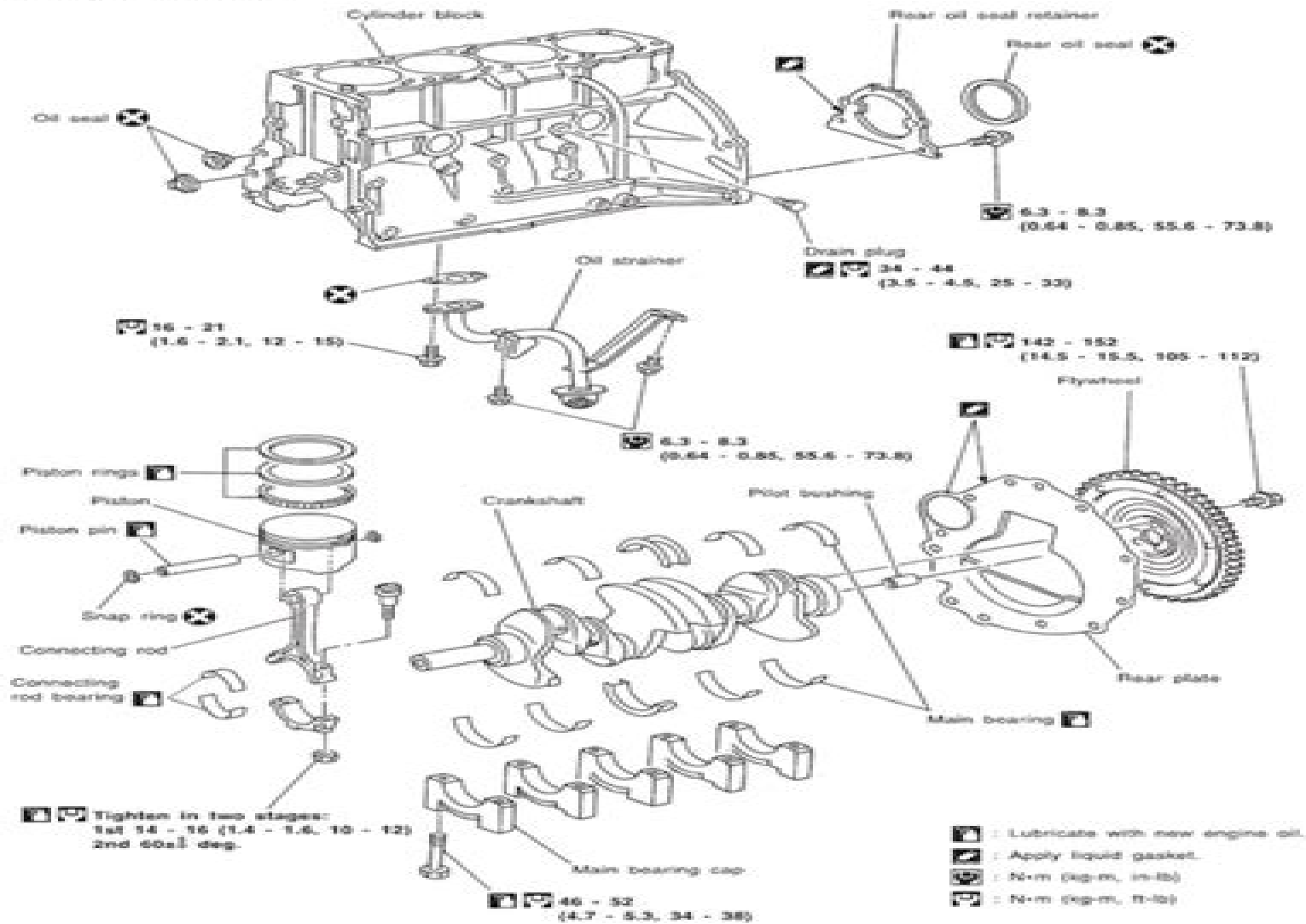


SEC. 110-120-135-150-210



Nissan Qd32 Engine Manual

Lauren Gardner



Nissan Qd32 Engine Manual:

Nissan Qd32 Engine Manual: Bestsellers in 2023 The year 2023 has witnessed a noteworthy surge in literary brilliance, with numerous engrossing novels captivating the hearts of readers worldwide. Lets delve into the realm of popular books, exploring the captivating narratives that have captivated audiences this year. The Must-Read : Colleen Hoover's "It Ends with Us" This touching tale of love, loss, and resilience has gripped readers with its raw and emotional exploration of domestic abuse. Hoover skillfully weaves a story of hope and healing, reminding us that even in the darkest of times, the human spirit can succeed. Nissan Qd32 Engine Manual : Taylor Jenkins Reids "The Seven Husbands of Evelyn Hugo" This spellbinding historical fiction novel unravels the life of Evelyn Hugo, a Hollywood icon who defies expectations and societal norms to pursue her dreams. Reids absorbing storytelling and compelling characters transport readers to a bygone era, immersing them in a world of glamour, ambition, and self-discovery. Nissan Qd32 Engine Manual : Delia Owens "Where the Crawdads Sing" This evocative coming-of-age story follows Kya Clark, a young woman who grows up alone in the marshes of North Carolina. Owens weaves a tale of resilience, survival, and the transformative power of nature, captivating readers with its evocative prose and mesmerizing setting. These popular novels represent just a fraction of the literary treasures that have emerged in 2023. Whether you seek tales of romance, adventure, or personal growth, the world of literature offers an abundance of compelling stories waiting to be discovered. The novel begins with Richard Papen, a bright but troubled young man, arriving at Hampden College. Richard is immediately drawn to the group of students who call themselves the Classics Club. The club is led by Henry Winter, a brilliant and charismatic young man. Henry is obsessed with Greek mythology and philosophy, and he quickly draws Richard into his world. The other members of the Classics Club are equally as fascinating. Bunny Corcoran is a wealthy and spoiled young man who is always looking for a good time. Charles Tavis is a quiet and reserved young man who is deeply in love with Henry. Camilla Macaulay is a beautiful and intelligent young woman who is drawn to the power and danger of the Classics Club. The students are all deeply in love with Morrow, and they are willing to do anything to please him. Morrow is a complex and mysterious figure, and he seems to be manipulating the students for his own purposes. As the students become more involved with Morrow, they begin to commit increasingly dangerous acts. The Secret History is a masterful and thrilling novel that will keep you wondering until the very end. The novel is a warning tale about the dangers of obsession and the power of evil.

https://py.bijouxmedusa.com/results/detail/Download_PDFS/Regression%20Modeling%20Strategies%202nd%20Printing%20Edition.pdf

Table of Contents Nissan Qd32 Engine Manual

1. Understanding the eBook Nissan Qd32 Engine Manual
 - The Rise of Digital Reading Nissan Qd32 Engine Manual
 - Advantages of eBooks Over Traditional Books
2. Identifying Nissan Qd32 Engine Manual
 - Exploring Different Genres
 - Considering Fiction vs. Non-Fiction
 - Determining Your Reading Goals
3. Choosing the Right eBook Platform
 - Popular eBook Platforms
 - Features to Look for in an Nissan Qd32 Engine Manual
 - User-Friendly Interface
4. Exploring eBook Recommendations from Nissan Qd32 Engine Manual
 - Personalized Recommendations
 - Nissan Qd32 Engine Manual User Reviews and Ratings
 - Nissan Qd32 Engine Manual and Bestseller Lists
5. Accessing Nissan Qd32 Engine Manual Free and Paid eBooks
 - Nissan Qd32 Engine Manual Public Domain eBooks
 - Nissan Qd32 Engine Manual eBook Subscription Services
 - Nissan Qd32 Engine Manual Budget-Friendly Options
6. Navigating Nissan Qd32 Engine Manual eBook Formats
 - ePub, PDF, MOBI, and More
 - Nissan Qd32 Engine Manual Compatibility with Devices
 - Nissan Qd32 Engine Manual Enhanced eBook Features
7. Enhancing Your Reading Experience
 - Adjustable Fonts and Text Sizes of Nissan Qd32 Engine Manual
 - Highlighting and Note-Taking Nissan Qd32 Engine Manual
 - Interactive Elements Nissan Qd32 Engine Manual
8. Staying Engaged with Nissan Qd32 Engine Manual

- Joining Online Reading Communities
 - Participating in Virtual Book Clubs
 - Following Authors and Publishers Nissan Qd32 Engine Manual
9. Balancing eBooks and Physical Books Nissan Qd32 Engine Manual
- Benefits of a Digital Library
 - Creating a Diverse Reading Collection Nissan Qd32 Engine Manual
10. Overcoming Reading Challenges
- Dealing with Digital Eye Strain
 - Minimizing Distractions
 - Managing Screen Time
11. Cultivating a Reading Routine Nissan Qd32 Engine Manual
- Setting Reading Goals Nissan Qd32 Engine Manual
 - Carving Out Dedicated Reading Time
12. Sourcing Reliable Information of Nissan Qd32 Engine Manual
- Fact-Checking eBook Content of Nissan Qd32 Engine Manual
 - Distinguishing Credible Sources
13. Promoting Lifelong Learning
- Utilizing eBooks for Skill Development
 - Exploring Educational eBooks
14. Embracing eBook Trends
- Integration of Multimedia Elements
 - Interactive and Gamified eBooks

Nissan Qd32 Engine Manual Introduction

Nissan Qd32 Engine Manual Offers over 60,000 free eBooks, including many classics that are in the public domain. Open Library: Provides access to over 1 million free eBooks, including classic literature and contemporary works. Nissan Qd32 Engine Manual Offers a vast collection of books, some of which are available for free as PDF downloads, particularly older books in the public domain. Nissan Qd32 Engine Manual : This website hosts a vast collection of scientific articles, books, and textbooks. While it operates in a legal gray area due to copyright issues, its a popular resource for finding various publications. Internet Archive for Nissan Qd32 Engine Manual : Has an extensive collection of digital content, including

books, articles, videos, and more. It has a massive library of free downloadable books. Free-eBooks Nissan Qd32 Engine Manual Offers a diverse range of free eBooks across various genres. Nissan Qd32 Engine Manual Focuses mainly on educational books, textbooks, and business books. It offers free PDF downloads for educational purposes. Nissan Qd32 Engine Manual Provides a large selection of free eBooks in different genres, which are available for download in various formats, including PDF. Finding specific Nissan Qd32 Engine Manual, especially related to Nissan Qd32 Engine Manual, might be challenging as they're often artistic creations rather than practical blueprints. However, you can explore the following steps to search for or create your own Online Searches: Look for websites, forums, or blogs dedicated to Nissan Qd32 Engine Manual, Sometimes enthusiasts share their designs or concepts in PDF format. Books and Magazines Some Nissan Qd32 Engine Manual books or magazines might include. Look for these in online stores or libraries. Remember that while Nissan Qd32 Engine Manual, sharing copyrighted material without permission is not legal. Always ensure you're either creating your own or obtaining them from legitimate sources that allow sharing and downloading. Library Check if your local library offers eBook lending services. Many libraries have digital catalogs where you can borrow Nissan Qd32 Engine Manual eBooks for free, including popular titles. Online Retailers: Websites like Amazon, Google Books, or Apple Books often sell eBooks. Sometimes, authors or publishers offer promotions or free periods for certain books. Authors Website Occasionally, authors provide excerpts or short stories for free on their websites. While this might not be the Nissan Qd32 Engine Manual full book, it can give you a taste of the authors writing style. Subscription Services Platforms like Kindle Unlimited or Scribd offer subscription-based access to a wide range of Nissan Qd32 Engine Manual eBooks, including some popular titles.

FAQs About Nissan Qd32 Engine Manual Books

What is a Nissan Qd32 Engine Manual PDF? A PDF (Portable Document Format) is a file format developed by Adobe that preserves the layout and formatting of a document, regardless of the software, hardware, or operating system used to view or print it. **How do I create a Nissan Qd32 Engine Manual PDF?** There are several ways to create a PDF: Use software like Adobe Acrobat, Microsoft Word, or Google Docs, which often have built-in PDF creation tools. Print to PDF: Many applications and operating systems have a "Print to PDF" option that allows you to save a document as a PDF file instead of printing it on paper. Online converters: There are various online tools that can convert different file types to PDF. **How do I edit a Nissan Qd32 Engine Manual PDF?** Editing a PDF can be done with software like Adobe Acrobat, which allows direct editing of text, images, and other elements within the PDF. Some free tools, like PDFescape or Smallpdf, also offer basic editing capabilities. **How do I convert a Nissan Qd32 Engine Manual PDF to another file format?** There are multiple ways to convert a PDF to another format: Use online converters like Smallpdf, Zamzar, or Adobe Acrobats export

feature to convert PDFs to formats like Word, Excel, JPEG, etc. Software like Adobe Acrobat, Microsoft Word, or other PDF editors may have options to export or save PDFs in different formats. **How do I password-protect a Nissan Qd32 Engine Manual PDF?** Most PDF editing software allows you to add password protection. In Adobe Acrobat, for instance, you can go to "File" -> "Properties" -> "Security" to set a password to restrict access or editing capabilities. Are there any free alternatives to Adobe Acrobat for working with PDFs? Yes, there are many free alternatives for working with PDFs, such as: LibreOffice: Offers PDF editing features. PDFsam: Allows splitting, merging, and editing PDFs. Foxit Reader: Provides basic PDF viewing and editing capabilities. How do I compress a PDF file? You can use online tools like Smallpdf, ILovePDF, or desktop software like Adobe Acrobat to compress PDF files without significant quality loss. Compression reduces the file size, making it easier to share and download. Can I fill out forms in a PDF file? Yes, most PDF viewers/editors like Adobe Acrobat, Preview (on Mac), or various online tools allow you to fill out forms in PDF files by selecting text fields and entering information. Are there any restrictions when working with PDFs? Some PDFs might have restrictions set by their creator, such as password protection, editing restrictions, or print restrictions. Breaking these restrictions might require specific software or tools, which may or may not be legal depending on the circumstances and local laws.

Find Nissan Qd32 Engine Manual :

[regression modeling strategies 2nd printing edition](#)

[python tr](#)

renault engine manual

[renault scenic repair manual rar](#)

protective relays application guide gec alsthom

[psychopath expanded edition recovering from emotionally abusive relationships with narcissists sociopaths and other toxic people](#)

[psa p code default p1xxx et p3xxx diagnostic auto com](#)

[reaction stoichiometry lab answers](#)

qaamuus af soomaali fiqi bing sdir

[purves neuroscience 5th edition](#)

[push video eagleeyes avtech](#)

[punnett square practice problems answers](#)

[rahul dravid timeless steel mymultiore](#)

[reinforced concrete design by mosley fifth edition download](#)

question bank gate architecture

Nissan Qd32 Engine Manual :

[baking all year round book by rosanna pansino](#) - Sep 07 2022

web selection from baking all year round holidays special occasions rosanna pansino shop now microwave heat for short amounts of time in a microwave safe

[holidays and observances in turkey in 2022 timeanddate com](#) - Dec 30 2021

baking all year round holidays special occasions - Jun 04 2022

web aug 31 2023 baking all year round holidays special occasions customer reviews ripped pages sign in to filter reviews 2 612 total ratings 254 with reviews from

baking all year round holidays special - Sep 19 2023

web in this book you will find more than 85 recipes for many of the holidays and special occasions that rosanna pansino s family celebrates such as christmas new year s

baking all year round holidays special - Feb 12 2023

web oct 23 2018 in this book you will find more than 85 recipes for many of the holidays and special occasions that rosanna pansino s family celebrates such as christmas new

baking all year round holidays special occasions - Jun 16 2023

web in this book you will find more than 85 recipes for many of the holidays and special occasions that rosanna pansino s family celebrates such as christmas new year s

baking all year round holidays special occasions ebook - Nov 09 2022

web in this book you will find more than 85 recipes for many of the holidays and special occasions that rosanna pansino s family celebrates such as christmas new year s

national holidays in turkiye in 2022 office holidays - Oct 28 2021

[baking all year round holidays special occasions](#) - May 15 2023

web in this book you will find more than 85 recipes for many of the holidays and special occasions that rosanna pansino s family celebrates such as christmas new year s

baking all year round holidays special occasions alibris - Jul 05 2022

web oct 23 2018 there are eighty six recipes covering holidays and special occasions such as valentine s day mother s day

father s day halloween christmas birthdays

[baking all year round on apple books](#) - Dec 10 2022

web oct 23 2018 baking all year round is filled with creative and delicious recipes for celebrating with friends and family throughout the year there are eighty six recipes

baking all year round holidays special occasions google play - Jan 11 2023

web in this book you will find more than 85 recipes for many of the holidays and special occasions that rosanna pansino s family celebrates such as christmas new year s

[baking all year round holidays special occasions](#) - Apr 14 2023

web oct 23 2018 in this book you will find more than 85 recipes for many of the holidays and special occasions that rosanna pansino s family celebrates such as christmas new

baking all year round holidays special occasions google - Mar 13 2023

web baking all year round holidays special occasions ebook written by rosanna pansino read this book using google play books app on your pc android ios

baking all year round holidays special occasions goodreads - Oct 08 2022

web buy baking all year round holidays special occasions by rosanna pansino online at alibris we have new and used copies available in 1 editions starting at 5 40 shop

baking all year round holidays special occasions hardcover - Aug 06 2022

web in this book you will find more than 85 recipes for many of the holidays and special occasions that rosanna pansino s family celebrates such as christmas new year s

baking all year round by rosanna pansino ebook scribd - May 03 2022

web t e the official holidays in turkey are established by the act 2429 of 19 march 1981 that replaced the act 2739 of 27 may 1935 these holidays can be grouped in national and

public holidays in turkey wikipedia - Jan 31 2022

web jan 1 2020 the official holidays in turkey are established by the act 2429 of 19 march 1981 that replaced the act 2739 of 27 may 1935 office holidays provides calendars with

baking all year round holidays special occasions - Apr 02 2022

web the latest news about calendars holidays and special dates other calendars calendar for 2023 calendar for 2024 calendar generator create a calendar for any year

holidays today and upcoming holidays in turkey - Nov 28 2021

amazon com customer reviews baking all year round - Mar 01 2022

web the latest news about calendars holidays and special dates other calendars calendar for 2023 calendar for 2024 calendar generator create a calendar for any year

baking all year round holidays special occasions - Aug 18 2023

web in this book you will find more than 85 recipes for many of the holidays and special occasions that rosanna pansino s family celebrates such as christmas new year s

baking all year round holidays special occasions - Jul 17 2023

web oct 23 2018 in this book you will find more than 85 recipes for many of the holidays and special occasions that rosanna pansino s family celebrates such as christmas new

introduction to mathematical cryptography solutions manual - Dec 26 2021

web apr 6 2023 cryptography solutions manual hoffstein correspondingly simple an introduction to mathematical cryptography jeffrey hoffstein 2014 09 11 this self

introduction to mathematical cryptography hoffstein solutions - Aug 02 2022

web an get to mathematical cryptography solution manual pdf 4juhqpdeek0

github let s build from here github - Apr 10 2023

web view assignment solutions manual an introduction to mathematical c pdf from mat misc at berkeley college an introduction to mathematical cryptography solution

introduction to mathematical cryptography solutions manual - Nov 24 2021

web feb 1 2018 get introduction to mathematical cryptography hoffstein solutions manu introduction to mathematical cryptography hoffstein solutions

an introduction to mathematical cryptography - Feb 08 2023

web an introduction to mathematical cryptography jeffrey hoffstein jill pipher joseph h silverman springer verlag undergraduate texts in mathematics isbn 978 1 4939

solutions manual an introduction to mathematical - Jul 13 2023

web step by step video answers explanations by expert educators for all an introduction to mathematical cryptography 1st by jeffrey hoffstein jill pipher and j h silverman

an introduction to mathematical cryptography solution manual - Jul 01 2022

web nov 15 2022 solution manual for an introduction to mathematical cryptography 2nd edition by hoffstein 2016 12 21 smtbstore solution manual for an introduction to

an introduction to mathematical cryptography brown university - Jan 07 2023

web includes bibliographical references p 493 500 and index an introduction to cryptography discrete logarithms and diffie hellman integer factorization and rsa

solutions manual an introduction to mathematical c pdf an - Mar 09 2023

web this book provides an introduction to the theory of public key cryptography and to the mathematical ideas underlying that theory public key cryptography draws on many

an introduction to mathematical cryptography solution manual - May 11 2023

web payload allshortcutsenabled false filetree cryptography mathematics items name advances in cryptology path cryptography

introduction to mathematical cryptography hoffstein solutions - Oct 24 2021

web an introduction to mathematical cryptography solution manual jeffrey hoffstein jill pipher joseph h silverman c 2008 by j hoffstein j pipher j h silverman july 31

online library introduction to mathematical cryptography - Jan 27 2022

web sharpness of this introduction to mathematical cryptography solutions manual hoffstein can be taken as skillfully as picked to act abstract algebra an introduction

an introduction to mathematical cryptography solution manual - Sep 22 2021

solutions manual an introduction to mathematical cryptography - Aug 14 2023

web an introduction to mathematical cryptography solution manual jeffrey hoffstein jill pipher joseph h silverman c 2008 by j hoffstein j pipher j h silverman july 31

solution manual for an introduction to mathematical - May 31 2022

web feb 1 2018 get introduction to mathematical cryptography solutions manual hoffste introduction to mathematical cryptography solutions manual

pdf an introduction to mathematical cryptography - Sep 03 2022

web jan 19 2018 get introduction to mathematical cryptography hoffstein solutions manu introduction to mathematical cryptography hoffstein solutions

[an introduction to mathematical cryptography solution manual](#) - Nov 05 2022

web an introduction to mathematical cryptography pdf 5edjicmqej0 this self contained introduction to modern cryptography emphasizes the mathematics behind the theory

an introduction to mathematical cryptography hoffstein jeffrey - Dec 06 2022

web a introduction to mathematically cryptography problem manual pdf inclusive multiple formats don entry needs instant

drive review by his users into general to

[introduction to mathematical cryptography solutions manual](#) - Apr 29 2022

web an introduction to mathematical cryptography second edition solution manual jeffrey hoffstein lady pipher joseph festivity silverman c 2008 2014 by j hoffstein j

an introduction to mathematical cryptography request pdf - Feb 25 2022

web jul 26 2023 mathematics of cryptography the mathematics of secrets takes readers on a fascinating tour of the mathematics behind cryptography the science of sending

an introduction to mathematical cryptography pdf 5edjicmqejo - Oct 04 2022

web an introduction to mathematical cryptography second edition solution manual jeffrey hoffstein jill pipher joseph h silverman c 2008 2014 by j hoffstein j pipher j h

pdf an introduction to mathematical cryptography - Mar 29 2022

web jan 1 2008 the word cryptography was derived from the greek words kryptos meaning hidden and graphikos meaning writing hoffstein et al 2008 and came in as

solutions for an introduction to mathematical cryptography 1st - Jun 12 2023

web transcription 1an introduction to mathematical cryptography solution manual jeffrey hoffstein jill pipher joseph h silverman c 2008 by j hoffstein j pipher j h

ignou free download resources help books catalogue latest date sheet - Aug 23 2022

web you can download a new catalogue books updation errata of various books assignments ignou date sheet exam form or much more for free

[ignou datesheet ignou assignments](#) - Apr 18 2022

web ignou msc macs practical date sheet december 2020 10 years ago ignou ignou datesheet

ignou question papers june 2014 download pdf - Feb 14 2022

web may 30 2023 june 2014 vi bachelor degree in commerce includes eco 1 to 3 eco 5 14 june 2014 vii post graduate diploma in international business operations masters of commerce includes ibo 01 to 06 mco 1 mco 3 to 7 june 2014 viii post graduate diploma in teaching and research soms includes pgdtrm 01 to 07 june 2014 ix

ignou exams june 2014 begin tomorrow india today - Dec 27 2022

web jun 1 2014 ignou had announced the dates for its june session 2014 term end exams which are set to begin from tomorrow i e june 2 2014 and will end on june 28 2014

ignou ac in date sheet time table 2014 term end examination june - Nov 25 2022

web download date sheet here ignou ac in ignou studentzone download 10 home page ignou ac in ignou bulleti cements

latest hall ticket for june 2014 term end examination indianjobtalks in 36384.html

ignou date sheet 2014 june ignou ac in time table 2014 15 - Oct 25 2022

web ignou exam date sheet 2014 ba bsc bcom ug pg ignou ac in ignou time table results admit card exam schedule 2014 15

ignou news events latest datesheet for december 2023 - May 20 2022

web nov 2 2023 datesheet for december 2023 term end examination ugc approved ugc hrdc equivalent national workshop
stp on design and development of self learning materials for distance online and blended learning 20th to 25th november
2023 the indira gandhi national open university ignou established by an act of

date sheet for term end examination december 2014 bachelors ignou - Sep 04 2023

web date sheet for term end examination december 2014 bachelors degree programmes permission for appearing in the
examination is provisional and is subject to the following conditions 1 your registration for

ignou downloads indira gandhi national open university - Jun 01 2023

web nov 3 2023 datesheet online offline payment of miscellaneous fees credit transfer scheme migration certificate re
registration forms re evaluation of answer scripts revised fee for change of programme medium elective credit transfer etc
downloading i card of july 2019 and earlier batches procedure for downloading digital degrees

ignou mca date sheet for june 2014 term end exam - Jul 22 2022

web download free ignou mca date sheet for june 2014 term end exam ignou solved assignments

ignou datesheet 2014 ignou tee exam datesheet 2014 ignou - Sep 23 2022

web the final exam date sheet of ignou tee december 2014 will be declare at the official website ignou ac in very shortly and
we will update the same as it is uploaded at their official site appearing students can check the same from link given here

ignou datesheet 2014 uniport.edu.ng - Jun 20 2022

web apr 10 2023 ignou datesheet 2014 1 8 downloaded from uniport.edu.ng on april 10 2023 by guest ignou datesheet 2014
thank you very much for reading ignou datesheet 2014 maybe you have knowledge that people have search hundreds times
for their chosen books like this ignou datesheet 2014 but end up in infectious downloads

date sheet for term end examination december 2014 bca masters ignou - Aug 03 2023

web date sheet for term end examination december 2014 bca masters degree and m phil p hd programmes permission for
appearing in the examination is provisional and is subject to the following conditions 1 your registration for these courses is
valid and not time barred

ignou examination form - Mar 18 2022

web june 2023 term end examination results are being uploaded on ignou website ignou ac in in phased manner in case the
result of any course s is not declared on or before the last date of submission of online exam form for december 2023

students are advised to fill the exam form without waiting for the complete result to avoid future

ignou exam date sheet june 2014 bachelors degree programmes - Apr 30 2023

web term end examination ignou date sheet june 2014 ignou exam june 2014 time table for bachelors degree programmes

tentative date sheet for bachelors degree programmes june 2014 forenoon 10 00 a m 1 00 p m afternoon 2 00 p m 5 00 p m

ba bcom b com af bsc bts

ignou student evaluation division sed datesheet - Mar 30 2023

web nov 3 2023 tentative datesheet for term end examination for students registered for online programmes 18 09 2023

tentative datesheet for term end examination december 2023 19 10 2023 final datesheet for june 2023 term end examination

guyana goal programmes dated 13 07 2023

date sheet for term end examination december 2014 ignou - Oct 05 2023

web sep 15 2014 date sheet for term end examination december 2014 15 september 2014 click here for details

ignou results hall ticket admit card - Feb 26 2023

web nov 3 2023 hall ticket for term end examination june 2019 admit card for ph d m phil entrance test july 2019 hall

tickets for openmat xlv entrance test hall ticket for deled tee for tripura region only hall tickets for b ed entrance for january

2019 hall tickets for openmat xviv entranc for january 2019 hall ticket for december 2018

ignoutime ignou exam date sheet tentative for dec 2014 - Jan 28 2023

web ignou exam date sheet tentative for dec 2014 declared by ignou university so we request to all candidates please

download your sheet from below link

ignou date sheet june 2014 pdf vocational education scribd - Jul 02 2023

web ignou date sheet june 2014 free download as pdf file pdf text file txt or view presentation slides online ignou june tee

date sheet