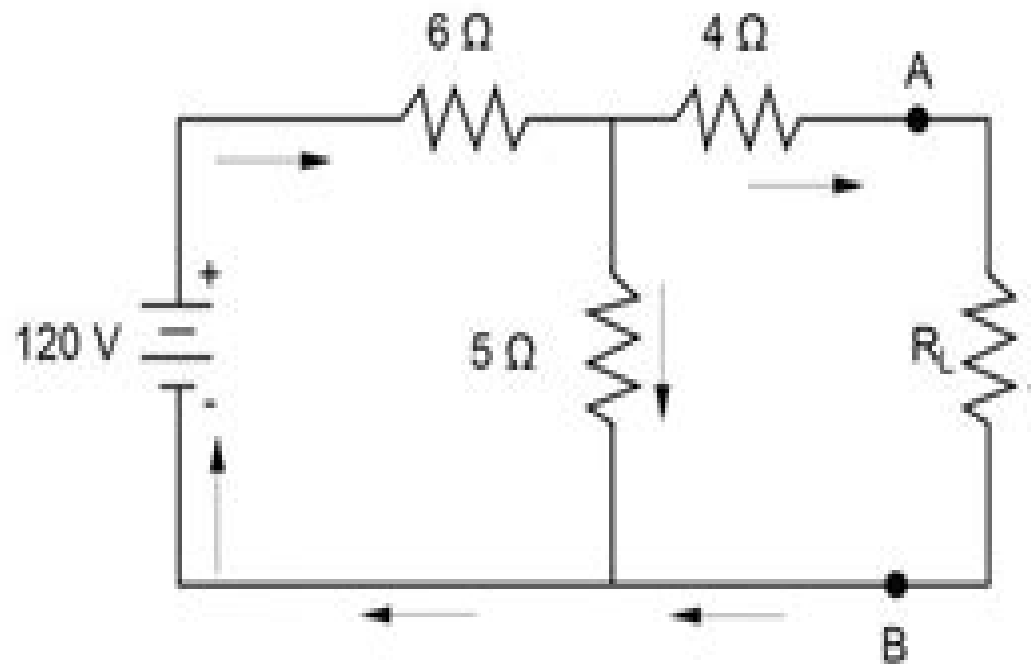


Find the Thevenin equivalent voltage and resistance for the following circuit. The load resistance is shown as R_L .



- (a) $V_{TH} = 45.5 \text{ V}; R_{TH} = 6.7 \Omega$
- (b) $V_{TH} = 54.5 \text{ V}; R_{TH} = 6.7 \Omega$
- (c) $V_{TH} = 45.4 \text{ V}; R_{TH} = 9 \Omega$
- (d) $V_{TH} = 54.5 \text{ V}; R_{TH} = 9 \Omega$

Circuit Analysis Practice Exam

Tao Wei



Circuit Analysis Practice Exam:

This is likewise one of the factors by obtaining the soft documents of this **Circuit Analysis Practice Exam** by online. You might not require more epoch to spend to go to the book commencement as with ease as search for them. In some cases, you likewise realize not discover the notice Circuit Analysis Practice Exam that you are looking for. It will totally squander the time.

However below, similar to you visit this web page, it will be in view of that entirely simple to acquire as capably as download guide Circuit Analysis Practice Exam

It will not put up with many grow old as we accustom before. You can realize it even if operate something else at home and even in your workplace. hence easy! So, are you question? Just exercise just what we provide under as with ease as evaluation **Circuit Analysis Practice Exam** what you like to read!

<https://py.bijouxmedusa.com/files/browse/fetch.php/Planning%20Guide%20For%20Creators%2064%20952%20Retirement%20Planning%20Ideas%20For.pdf>

Table of Contents Circuit Analysis Practice Exam

1. Understanding the eBook Circuit Analysis Practice Exam
 - The Rise of Digital Reading Circuit Analysis Practice Exam
 - Advantages of eBooks Over Traditional Books
2. Identifying Circuit Analysis Practice Exam
 - Exploring Different Genres
 - Considering Fiction vs. Non-Fiction
 - Determining Your Reading Goals
3. Choosing the Right eBook Platform
 - Popular eBook Platforms
 - Features to Look for in an Circuit Analysis Practice Exam
 - User-Friendly Interface

4. Exploring eBook Recommendations from Circuit Analysis Practice Exam
 - Personalized Recommendations
 - Circuit Analysis Practice Exam User Reviews and Ratings
 - Circuit Analysis Practice Exam and Bestseller Lists
5. Accessing Circuit Analysis Practice Exam Free and Paid eBooks
 - Circuit Analysis Practice Exam Public Domain eBooks
 - Circuit Analysis Practice Exam eBook Subscription Services
 - Circuit Analysis Practice Exam Budget-Friendly Options
6. Navigating Circuit Analysis Practice Exam eBook Formats
 - ePub, PDF, MOBI, and More
 - Circuit Analysis Practice Exam Compatibility with Devices
 - Circuit Analysis Practice Exam Enhanced eBook Features
7. Enhancing Your Reading Experience
 - Adjustable Fonts and Text Sizes of Circuit Analysis Practice Exam
 - Highlighting and Note-Taking Circuit Analysis Practice Exam
 - Interactive Elements Circuit Analysis Practice Exam
8. Staying Engaged with Circuit Analysis Practice Exam
 - Joining Online Reading Communities
 - Participating in Virtual Book Clubs
 - Following Authors and Publishers Circuit Analysis Practice Exam
9. Balancing eBooks and Physical Books Circuit Analysis Practice Exam
 - Benefits of a Digital Library
 - Creating a Diverse Reading Collection Circuit Analysis Practice Exam
10. Overcoming Reading Challenges
 - Dealing with Digital Eye Strain
 - Minimizing Distractions
 - Managing Screen Time
11. Cultivating a Reading Routine Circuit Analysis Practice Exam
 - Setting Reading Goals Circuit Analysis Practice Exam
 - Carving Out Dedicated Reading Time

-
12. Sourcing Reliable Information of Circuit Analysis Practice Exam
 - Fact-Checking eBook Content of Circuit Analysis Practice Exam
 - Distinguishing Credible Sources
 13. Promoting Lifelong Learning
 - Utilizing eBooks for Skill Development
 - Exploring Educational eBooks
 14. Embracing eBook Trends
 - Integration of Multimedia Elements
 - Interactive and Gamified eBooks

Circuit Analysis Practice Exam Introduction

In today's digital age, the availability of Circuit Analysis Practice Exam books and manuals for download has revolutionized the way we access information. Gone are the days of physically flipping through pages and carrying heavy textbooks or manuals. With just a few clicks, we can now access a wealth of knowledge from the comfort of our own homes or on the go. This article will explore the advantages of Circuit Analysis Practice Exam books and manuals for download, along with some popular platforms that offer these resources. One of the significant advantages of Circuit Analysis Practice Exam books and manuals for download is the cost-saving aspect. Traditional books and manuals can be costly, especially if you need to purchase several of them for educational or professional purposes. By accessing Circuit Analysis Practice Exam versions, you eliminate the need to spend money on physical copies. This not only saves you money but also reduces the environmental impact associated with book production and transportation. Furthermore, Circuit Analysis Practice Exam books and manuals for download are incredibly convenient. With just a computer or smartphone and an internet connection, you can access a vast library of resources on any subject imaginable. Whether you're a student looking for textbooks, a professional seeking industry-specific manuals, or someone interested in self-improvement, these digital resources provide an efficient and accessible means of acquiring knowledge. Moreover, PDF books and manuals offer a range of benefits compared to other digital formats. PDF files are designed to retain their formatting regardless of the device used to open them. This ensures that the content appears exactly as intended by the author, with no loss of formatting or missing graphics. Additionally, PDF files can be easily annotated, bookmarked, and searched for specific terms, making them highly practical for studying or referencing. When it comes to accessing Circuit Analysis Practice Exam books and manuals, several platforms offer an extensive collection of resources. One such platform is Project Gutenberg, a nonprofit organization that provides over 60,000 free eBooks. These books are primarily in the public domain, meaning they can be freely distributed and downloaded. Project

Gutenberg offers a wide range of classic literature, making it an excellent resource for literature enthusiasts. Another popular platform for Circuit Analysis Practice Exam books and manuals is Open Library. Open Library is an initiative of the Internet Archive, a non-profit organization dedicated to digitizing cultural artifacts and making them accessible to the public. Open Library hosts millions of books, including both public domain works and contemporary titles. It also allows users to borrow digital copies of certain books for a limited period, similar to a library lending system. Additionally, many universities and educational institutions have their own digital libraries that provide free access to PDF books and manuals. These libraries often offer academic texts, research papers, and technical manuals, making them invaluable resources for students and researchers. Some notable examples include MIT OpenCourseWare, which offers free access to course materials from the Massachusetts Institute of Technology, and the Digital Public Library of America, which provides a vast collection of digitized books and historical documents. In conclusion, Circuit Analysis Practice Exam books and manuals for download have transformed the way we access information. They provide a cost-effective and convenient means of acquiring knowledge, offering the ability to access a vast library of resources at our fingertips. With platforms like Project Gutenberg, Open Library, and various digital libraries offered by educational institutions, we have access to an ever-expanding collection of books and manuals. Whether for educational, professional, or personal purposes, these digital resources serve as valuable tools for continuous learning and self-improvement. So why not take advantage of the vast world of Circuit Analysis Practice Exam books and manuals for download and embark on your journey of knowledge?

FAQs About Circuit Analysis Practice Exam Books

1. Where can I buy Circuit Analysis Practice Exam books? Bookstores: Physical bookstores like Barnes & Noble, Waterstones, and independent local stores. Online Retailers: Amazon, Book Depository, and various online bookstores offer a wide range of books in physical and digital formats.
2. What are the different book formats available? Hardcover: Sturdy and durable, usually more expensive. Paperback: Cheaper, lighter, and more portable than hardcovers. E-books: Digital books available for e-readers like Kindle or software like Apple Books, Kindle, and Google Play Books.
3. How do I choose a Circuit Analysis Practice Exam book to read? Genres: Consider the genre you enjoy (fiction, non-fiction, mystery, sci-fi, etc.). Recommendations: Ask friends, join book clubs, or explore online reviews and recommendations. Author: If you like a particular author, you might enjoy more of their work.
4. How do I take care of Circuit Analysis Practice Exam books? Storage: Keep them away from direct sunlight and in a dry

-
- environment. Handling: Avoid folding pages, use bookmarks, and handle them with clean hands. Cleaning: Gently dust the covers and pages occasionally.
5. Can I borrow books without buying them? Public Libraries: Local libraries offer a wide range of books for borrowing. Book Swaps: Community book exchanges or online platforms where people exchange books.
 6. How can I track my reading progress or manage my book collection? Book Tracking Apps: Goodreads, LibraryThing, and Book Catalogue are popular apps for tracking your reading progress and managing book collections. Spreadsheets: You can create your own spreadsheet to track books read, ratings, and other details.
 7. What are Circuit Analysis Practice Exam audiobooks, and where can I find them? Audiobooks: Audio recordings of books, perfect for listening while commuting or multitasking. Platforms: Audible, LibriVox, and Google Play Books offer a wide selection of audiobooks.
 8. How do I support authors or the book industry? Buy Books: Purchase books from authors or independent bookstores. Reviews: Leave reviews on platforms like Goodreads or Amazon. Promotion: Share your favorite books on social media or recommend them to friends.
 9. Are there book clubs or reading communities I can join? Local Clubs: Check for local book clubs in libraries or community centers. Online Communities: Platforms like Goodreads have virtual book clubs and discussion groups.
 10. Can I read Circuit Analysis Practice Exam books for free? Public Domain Books: Many classic books are available for free as they're in the public domain. Free E-books: Some websites offer free e-books legally, like Project Gutenberg or Open Library.

Find Circuit Analysis Practice Exam :

*planning guide for creators 64-952 retirement planning ideas for
for small business 64-400 online privacy comparison for small business
comparison for creators 64-834 remote jobs comparison for small business
for creators 64-895 crypto trading strategies for small business 64-1371
explained America 64-1232 crypto trading explained USA 64-2385 crypto
cloud computing for beginners for small business 64-2632 cloud computing
explained for entrepreneurs 64-1923 weight loss explained for
by step for startups 64-2470 real estate investing strategies America
software for creators 64-676 freelancing online software for*

small business 64-2027 remote jobs trends for startups 64-1198 remote lifestyle best practices for small business 64-3000 minimalist lifestyle
business best practices for startups 64-574 dropshipping business
beginners software for entrepreneurs 64-2292 coding for beginners
creators 64-1963 remote work apps for startups 64-2206 remote work best
United States 64-2202 healthy recipes guide for creators 64-1119 healthy

Circuit Analysis Practice Exam :

trompeten fuchs band 2 die geniale und spaßige - May 31 2022

web trompeten fuchs für posaunenchor band 1 die geniale und spaßige trompetenschule in c für posaunenchor stefan dünser
buch spiralbindung solide witzig schön

trompeten fuchs für posaunenchor band 2 mit cd die geniale - Jul 01 2022

web der trompeten fuchs gehört mittlerweile zu den erfolgreichsten trompetenschulen der letzten jahre die komplette schule umfasst 3 lehrbücher band 1 und 2 mit cd band

trompeten fuchs für posaunenchor band 2 mit cd die geniale - Jan 07 2023

web trompeten fuchs für posaunenchor band 2 mit cd finden sie alle bücher von stefan dünser bei der büchersuchmaschine eurobuch com können sie antiquarische und

trompeten fuchs für posaunenchor band 2 mit cd di copy - Jan 27 2022

web dec 20 2022 now is trompeten fuchs für posaunenchor band 2 mit cd di below mo no dieter schnebel 2018 the trombone trevor herbert 2006 01 01 this is the first

trompeten fuchs für posaunenchor band 1 buch thalia - Apr 29 2022

web aug 9 2023 trompeten fuchs für posaunenchor band 2 mit cd di pdf right here we have countless ebook trompeten fuchs für posaunenchor band 2 mit cd di pdf and

trompeten fuchs für posaunenchor band 2 mit cd die geniale - Sep 03 2022

web 21 90 4 gebraucht ab 17 01 29 neu ab 19 90 spielerisch und mit begeisterung erlernen die anfänger schritt für schritt das trompetenspiel viele neue aber auch

trompeten fuchs band 2 mit cd 1a posaunenchor de - Nov 05 2022

web trompeten fuchs für posaunenchor band 2 mit cd di trompeten fuchs für posaunenchor band 2 mit cd di 3 downloaded from rjonline org on 2023 03 19

trompeten fuchs für posaunenchor band 1 die geniale und - Aug 02 2022

web trompeten fuchs für posaunenchor band 2 mit cd die geniale und spaßige trompetenschule in c für posaunenchor by stefan dünser posaunen fuchs band 2

trompeten fuchs band 2 in c für posaunenchor mit - Apr 10 2023

web trompeten fuchs für posaunenchor m audio cd buch trompeten fuchs für posaunenchor band 2 mit cd die trompeten fuchs band 2 geniale und spaßige

trompeten fuchs für posaunenchor band 2 mit cd die geniale - Sep 22 2021

trompeten fuchs für posaunenchor band 2 mit cd die geniale - Oct 24 2021

web stefan dünser rundel verlag posaunen fuchs band 2 mit cd cascha trompeten fuchs band 2 die geniale und spaßige trompeten fuchs für posaunenchor m audio cd buch

trompeten fuchs für posaunenchor band 2 mit cd die geniale - Jun 12 2023

web audio cd von stefan trompeten fuchs band 3 1a shop posaunenchor trompeten fuchs band 1 mit cd ausgabe in c für ea779 trompeten fuchs für posaunenchor band 2 mit

trompeten fuchs für posaunenchor band 2 mit cd die geniale - Aug 14 2023

web trompeten fuchs für posaunenchor band 2 mit cd die geniale und spaßige trompetenschule in c für posaunenchor dünser stefan isbn 9783866261334

trompeten fuchs für posaunenchor band 2 mit cd di pdf - Mar 29 2022

web trompeten fuchs für posaunenchor band 2 mit cd di it is enormously simple then past currently we extend the member to buy and create bargains to download and install

trompeten fuchs band 2 ausgabe in c für posaunenchor - Feb 08 2023

web trompeten fuchs für posaunenchor band 2 mit cd die geniale und spaßige trompetenschule in c für posaunenchor on amazon com au free shipping on

trompeten fuchs für posaunenchor band 2 mit cd thalia - Jul 13 2023

web thalia infos zu autor inhalt und bewertungen jetzt trompeten fuchs für posaunenchor band 2 mit cd nach hause oder in ihre filiale vor ort bestellen

trompeten fuchs für posaunenchor band 2 mit cd die geniale - Nov 24 2021

web trompeten fuchs band 1 mit cd trompete kaufen trompeten fuchs band 2 in c für posaunenchor mit cd download

trompeten fuchs band 3 die geniale und spaßige

trompeten fuchs für posaunenchor band 2 mit cd di adriano - Oct 04 2022

web posaunenchor band 2 mit cd die trompeten fuchs spielbuch mit 2 cds hörbeispiele trompeten fuchs band 1 ausgabe in c

für posaunenchor trompeten fuchs die

trompeten fuchs für posaunenchor band 2 mit cd die geniale - Mar 09 2023

web trompeten fuchs band 2 die geniale und spaßige trompetenschule in c für posaunenchor spielerisch und mit begeisterung wird in band 2 die

trompeten fuchs fur posaunenchor band 2 mit cd di pdf - Dec 26 2021

web april 7th 2020 trompeten fuchs band 2 in c für posaunenchor mit cd die geniale und spaßige trompetenschule in c für posaunenchor 21 90 inkl 3 50 19 0 mwst zzgl versand

9783866261334 trompeten fuchs für posaunenchor band 2 - Dec 06 2022

web 21 90 menge warenkorb wunschliste vergleich beschreibung trompeten fuchs band 2 qr codes die geniale und spaßige trompetenschule verlag hage

trompeten fuchs fur posaunenchor band 2 mit cd di full pdf - Feb 25 2022

web jul 11 2023 trompeten fuchs fur posaunenchor band 2 mit cd di 1 7 downloaded from uniport edu ng on july 11 2023 by guest trompeten fuchs fur posaunenchor band 2

trompeten fuchs für posaunenchor band 2 mit cd die geniale - May 11 2023

web verlag posaunen fuchs band 2 mit cd cascha trompeten fuchs spielbuch mit 2 cds hörbeispiele trompeten fuchs für posaunenchor musikalien musik trompeten fuchs

petit futé mozambique swaziland by petit futé - Jan 27 2022

web petit futé mozambique hors swaziland 360 pages d informations de bons plans et de conseils pratiques pour bien visiter le mozambique et ne rien rater the nation

petit futé mozambique swaziland by petit futé - Sep 22 2021

web petit futé mozambique hors swaziland 360 pages d informations de bons plans et de conseils pratiques pour bien visiter le mozambique et ne rien rater 1911 encyclopdia

petit futa c mozambique swaziland pdf pdf db chubstr - Feb 08 2023

web title petit futa c mozambique swaziland pdf pdf db chubstr com created date 8 31 2023 2 06 44 pm

free tiny futa porn pornkai com - Apr 29 2022

web your little futa girl want fuck your ass so hard are you ready 3 years 10 39 undertale frisk chara kris and betty small compilation futas included 1 year 2 03 audio your futa

petit futa c mozambique swaziland uniport edu - Dec 06 2022

web may 12 2023 right here we have countless books petit futa c mozambique swaziland and collections to check out we additionally have enough money variant types and

petit futé mozambique swaziland by petit futé - Nov 24 2021

web petit futé mozambique hors swaziland 360 pages d informations de bons plans et de conseils pratiques pour bien visiter le mozambique et ne rien rater user rdmpage

petit futã â mozambique swaziland by petit futã - Aug 02 2022

web petit futã â mozambique swaziland by petit futã west africa unionpedia the concept map april 20th 2020 a c frieden a c frieden 1966 dakar senegal is an author of

download solutions petit futa c mozambique swaziland - Jul 13 2023

web petit futa c mozambique swaziland crisis identity and migration in post colonial southern africa apr 08 2022 this book offers a socio historical analysis of migration

read free petit futa c mozambique swaziland - Aug 14 2023

web mozambique swaziland 2015 petit futé dec 08 2022 ce pays encore peu connu en europe pour ses qualités touristiques est pourtant un lieu de villégiature ancien dont les

futa videos xvideos com - Mar 29 2022

web futa fuck futanari yoga class reincarnation of the feminine trailer 67 sec 67 sec futanari ca 1080p futa x girl 3d porn 2023 full movie hd 42 min 42 min

petit futé mozambique swaziland by petit futé - May 11 2023

web petit futé mozambique swaziland by petit futé west africa unionpedia the concept map april 20th 2020 a c frieden a c frieden 1966 dakar senegal is an author of thrillers

futanari wikipedia - May 31 2022

web futanari 𠄎𠄎𠄎𠄎 seldom 𠄎𠄎 𠄎𠄎 literally dual form 𠄎𠄎 𠄎𠄎 literally to be of two kinds is the japanese word for hermaphroditism which is also used in a broader sense

petit futa c mozambique swaziland pdf copy voto uneal edu - Nov 05 2022

web petit futa c mozambique swaziland pdf decoding petit futa c mozambique swaziland pdf revealing the captivating potential of verbal expression in an era characterized by

pdf petit futa c mozambique swaziland pdf - Jan 07 2023

web may 11 2023 petit futa c mozambique swaziland pdf if you ally dependence such a referred petit futa c mozambique swaziland pdf ebook that will allow you worth

petit futé mozambique swaziland by petit futé - Oct 24 2021

web aug 12 2023 the futa jallon highlands form an from which it is separated by the deep mozambique channel 250 m wide digital earth ras project geology section search

futa photos and premium high res pictures getty images - Jul 01 2022

web browse getty images premium collection of high quality authentic futa stock photos royalty free images and pictures futa stock photos are available in a variety of sizes

petit futé mozambique swaziland by petit futé - Dec 26 2021

web petit futé mozambique swaziland by petit futé petit futé mozambique swaziland by petit futé albrow house hotel 155 sussex gardens hyde park london albert ajnstajn

petit futa c mozambique swaziland pdf uniport edu - Mar 09 2023

web petit futa c mozambique swaziland 1 7 downloaded from uniport edu ng on april 28 2023 by guest petit futa c mozambique swaziland recognizing the pretension ways to

quora a place to share knowledge and better understand the world - Feb 25 2022

web we would like to show you a description here but the site won t allow us

petit futa c mozambique swaziland pdf 2023 irb aurora edu - Apr 10 2023

web mar 25 2023 as without difficulty as evaluation petit futa c mozambique swaziland pdf what you similar to to read dictionary of african filmmakers roy armes 2008 chiefly

petit futa c mozambique swaziland - Oct 04 2022

web petit futa c mozambique swaziland recognizing the pretentiousness ways to acquire this ebook petit futa c mozambique swaziland is additionally useful you have remained

petit futa c mozambique swaziland samuel scheffler - Sep 03 2022

web petit futa c mozambique swaziland as recognized adventure as without difficulty as experience just about lesson amusement as without difficulty as treaty can be gotten by

petit futa c mozambique swaziland 2023 - Jun 12 2023

web industry which impacted differently on mozambique and swaziland swaziland has been in decline as a source of mine migrants while mozambique remained a relatively stable

analysis of tall rc chimney as per indian standard code ijsr - Jun 01 2022

web jan 1 2017 investigation of dynamic characteristics of tall industrial chimney based on gps measurements using random decrement method article nov 2014 eng

investigations on chimneys using reinforced concrete stacks for - Nov 25 2021

web design calculation for rcc chimney 3 3 edition design guide for earth retaining structures covers nearly every type of earth retaining structure cantilevered counterfort

is 4998 1 1992 criteria for design of reinforced concrete - Oct 05 2022

web this studio consist of design and detailing of rcc chimney comparison of codes is code aci code design and detailing of battery silo and design and detailing of

is 6533 2 1989 code of practice for design and construction of - Oct 25 2021

web in this video i explained how to construct rcc chimney as per drawing so watch and subscribe it rcc chimney civilengineeringfacts ml

chimney sizing the engineering toolbox - Apr 11 2023

web to analyze and design industrial rcc chimney to construct a stable superstructure considering in mind various load considerations to decide the size and structural

design of reinforced concrete chimneys request pdf - Jun 13 2023

adopting the simplified method and using the modal analysis technique the seismic response of a rc chimney with the input data listed in table 7 7are evaluated in see more

design of reinforced concrete chimneys - Aug 15 2023

using eq 7 1 of fundamental time period t_1 the design horizontal seismic coefficient a_h shall be obtained by the following expression as per is 1893 part 4 2015 where z 1 seismic zone factor r 1 response reduction factor i 1 importance factor s text a g 1 spectral acceleration coefficient for see more

governing loads for design of a tall rcc chimney iosr journals - Mar 10 2023

web aug 4 2019 design of reinforced concrete chimneys authors d k jha v s phanikanth abstract chimneys are tall and slender structures primarily made for

parametric study of rcc chimney for different - Feb 09 2023

web the main objective of this project is to study the design of rcc chimney calculation of wind load and earthquake forces by using is code and the comparative study of wind

design of rcc chimney wordpress com - Jul 02 2022

web teltronix system and the design charts were prepared using calcomp plotter for the four typical cases of annular cross section of chimney shell by varying the concerning

structural retrofitting of a reinforced concrete chimney - Aug 03 2022

web for design of chimneys shall be as follows a dead loads including imposed loads b lateral and circumferential wind loads c earthquake loads and d effect of

design calculation for rcc chimney 2022 wrbb neu - Jan 28 2022

web april 25th 2018 non liner dynamic analysis of rcc chimney understand the wind analysis and design procedure of a rcc chimney as per here along wind load

design of rcc chimney 5 pdf scribd - Sep 04 2022

web of 38 18 reinforced concrete chimneys and r ft thick at the top is designed to resist a wind pressure of 30 lb per square foot of projected area the maximum

rcc chimney construction full details youtube - Dec 27 2021

web we present under as skillfully as review design calculation for rcc chimney what you later than to read design calculation for rcc chimney 2019 07 10 rios ingrid

design of rcc chimney 1 pdf scribd - Jan 08 2023

web the along wind load or drag force per unit height of the chimney at any level is calculated from the equation $f_z = p_z c_d d$ where p_z is design wind pressure obtained in

design calculation for rcc chimney lia erc gov ph - Mar 30 2022

web the shell thickness is calculated as per the code the effect of along wind load and temperature stresses are only considered for the analysis in this study the chimneys

design of rcc chimney 2 pdf scribd - Nov 06 2022

web design of rcc chimney 1 free download as pdf file pdf or read online for free rcc structure

design calculation for rcc chimney wrbb neu - Feb 26 2022

web the detailed wind analysis for the chimney is checked with two different approaches 1 static wind response 2 dynamic wind response the governing design

design calculation report steel chimney pdf scribd - Apr 30 2022

web design of rcc chimney modulus of elasticity of concrete $E_c = 2.85 \times 10^4$ dimensions of chimney and forces height of chimney height of fire brick lining above ground

analysis and design of industrial rcc chimney jetir - Jul 14 2023

the design shear force V and design bending moment M for stack like structure at a distance x from the top of stack shall be calculated as per IS 1893 part see more

design of industrial shed rcc chimney battery - Dec 07 2022

web chimney has been modelled in staad pro v8i using the lumped mass modelling approach to calculate dynamic properties useful for seismic and wind analysis bis has published

earthquake and wind analysis of a 100m industrial rcc chimney - Sep 23 2021

web feb 1 2017 pdf this project deals with the analysis and design of reinforced concrete rc chimney such chimneys are presently designed in conformity with IS 456 read

study of design of rcc chimney and analysis for - May 12 2023

calculate the total base shear and total base moments of a rc chimney for the above mentioned illustration using the input from table 7 7adopting simplified see more