

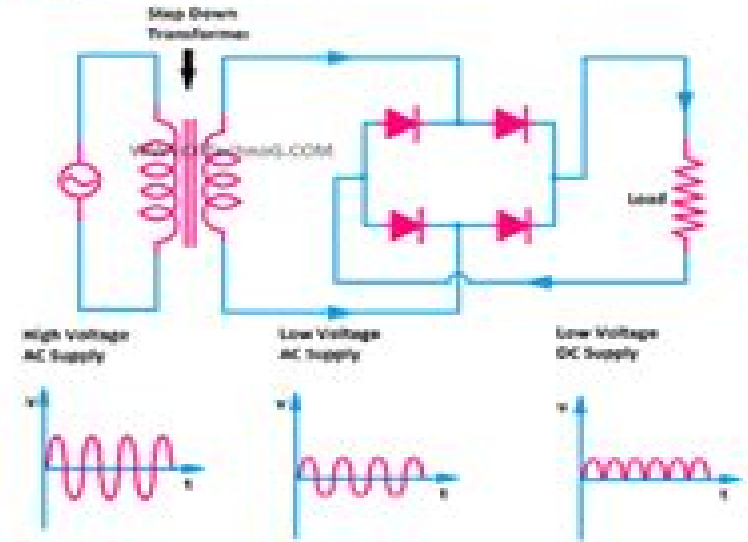
Important Electronic Circuits

Electronics



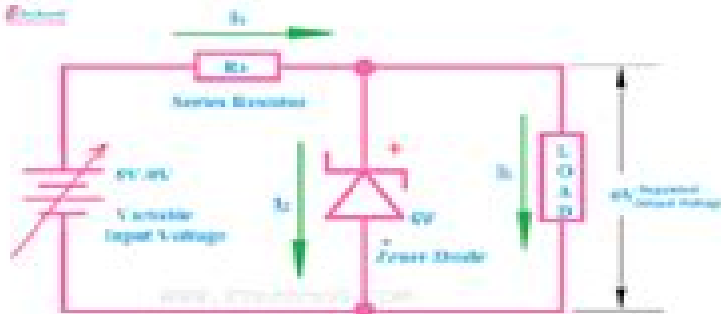
Important Electronic Circuit 1 : Half Wave Rectifier

Electronics



Important Electronic Circuit 2 : Full Wave Rectifier

Electronics



Important Electronic Circuit 3 : Voltage Regulator



Important Electronic Circuit 4 : Filter Circuit

Circuit Diagram Guide

JG Myers



Circuit Diagram Guide:

Right here, we have countless book **Circuit Diagram Guide** and collections to check out. We additionally have the funds for variant types and also type of the books to browse. The adequate book, fiction, history, novel, scientific research, as competently as various new sorts of books are readily within reach here.

As this Circuit Diagram Guide, it ends up being one of the favored book Circuit Diagram Guide collections that we have. This is why you remain in the best website to look the incredible ebook to have.

https://py.bijouxmedusa.com/files/scholarship/Download_PDFS/productivity%20hacks%20apps%20for%20entrepreneurs%202%202201%20productivity%20hacks%20best.pdf

Table of Contents Circuit Diagram Guide

1. Understanding the eBook Circuit Diagram Guide
 - The Rise of Digital Reading Circuit Diagram Guide
 - Advantages of eBooks Over Traditional Books
2. Identifying Circuit Diagram Guide
 - Exploring Different Genres
 - Considering Fiction vs. Non-Fiction
 - Determining Your Reading Goals
3. Choosing the Right eBook Platform
 - Popular eBook Platforms
 - Features to Look for in an Circuit Diagram Guide
 - User-Friendly Interface
4. Exploring eBook Recommendations from Circuit Diagram Guide
 - Personalized Recommendations
 - Circuit Diagram Guide User Reviews and Ratings
 - Circuit Diagram Guide and Bestseller Lists
5. Accessing Circuit Diagram Guide Free and Paid eBooks

- Circuit Diagram Guide Public Domain eBooks
 - Circuit Diagram Guide eBook Subscription Services
 - Circuit Diagram Guide Budget-Friendly Options
6. Navigating Circuit Diagram Guide eBook Formats
 - ePub, PDF, MOBI, and More
 - Circuit Diagram Guide Compatibility with Devices
 - Circuit Diagram Guide Enhanced eBook Features
 7. Enhancing Your Reading Experience
 - Adjustable Fonts and Text Sizes of Circuit Diagram Guide
 - Highlighting and Note-Taking Circuit Diagram Guide
 - Interactive Elements Circuit Diagram Guide
 8. Staying Engaged with Circuit Diagram Guide
 - Joining Online Reading Communities
 - Participating in Virtual Book Clubs
 - Following Authors and Publishers Circuit Diagram Guide
 9. Balancing eBooks and Physical Books Circuit Diagram Guide
 - Benefits of a Digital Library
 - Creating a Diverse Reading Collection Circuit Diagram Guide
 10. Overcoming Reading Challenges
 - Dealing with Digital Eye Strain
 - Minimizing Distractions
 - Managing Screen Time
 11. Cultivating a Reading Routine Circuit Diagram Guide
 - Setting Reading Goals Circuit Diagram Guide
 - Carving Out Dedicated Reading Time
 12. Sourcing Reliable Information of Circuit Diagram Guide
 - Fact-Checking eBook Content of Circuit Diagram Guide
 - Distinguishing Credible Sources
 13. Promoting Lifelong Learning
 - Utilizing eBooks for Skill Development

- Exploring Educational eBooks
- 14. Embracing eBook Trends
 - Integration of Multimedia Elements
 - Interactive and Gamified eBooks

Circuit Diagram Guide Introduction

In today's digital age, the availability of Circuit Diagram Guide books and manuals for download has revolutionized the way we access information. Gone are the days of physically flipping through pages and carrying heavy textbooks or manuals. With just a few clicks, we can now access a wealth of knowledge from the comfort of our own homes or on the go. This article will explore the advantages of Circuit Diagram Guide books and manuals for download, along with some popular platforms that offer these resources. One of the significant advantages of Circuit Diagram Guide books and manuals for download is the cost-saving aspect. Traditional books and manuals can be costly, especially if you need to purchase several of them for educational or professional purposes. By accessing Circuit Diagram Guide versions, you eliminate the need to spend money on physical copies. This not only saves you money but also reduces the environmental impact associated with book production and transportation. Furthermore, Circuit Diagram Guide books and manuals for download are incredibly convenient. With just a computer or smartphone and an internet connection, you can access a vast library of resources on any subject imaginable. Whether you're a student looking for textbooks, a professional seeking industry-specific manuals, or someone interested in self-improvement, these digital resources provide an efficient and accessible means of acquiring knowledge. Moreover, PDF books and manuals offer a range of benefits compared to other digital formats. PDF files are designed to retain their formatting regardless of the device used to open them. This ensures that the content appears exactly as intended by the author, with no loss of formatting or missing graphics. Additionally, PDF files can be easily annotated, bookmarked, and searched for specific terms, making them highly practical for studying or referencing. When it comes to accessing Circuit Diagram Guide books and manuals, several platforms offer an extensive collection of resources. One such platform is Project Gutenberg, a nonprofit organization that provides over 60,000 free eBooks. These books are primarily in the public domain, meaning they can be freely distributed and downloaded. Project Gutenberg offers a wide range of classic literature, making it an excellent resource for literature enthusiasts. Another popular platform for Circuit Diagram Guide books and manuals is Open Library. Open Library is an initiative of the Internet Archive, a non-profit organization dedicated to digitizing cultural artifacts and making them accessible to the public. Open Library hosts millions of books, including both public domain works and contemporary titles. It also allows users to borrow digital copies of certain books for a limited period, similar to a library lending system. Additionally, many universities and educational institutions have their own digital

libraries that provide free access to PDF books and manuals. These libraries often offer academic texts, research papers, and technical manuals, making them invaluable resources for students and researchers. Some notable examples include MIT OpenCourseWare, which offers free access to course materials from the Massachusetts Institute of Technology, and the Digital Public Library of America, which provides a vast collection of digitized books and historical documents. In conclusion, Circuit Diagram Guide books and manuals for download have transformed the way we access information. They provide a cost-effective and convenient means of acquiring knowledge, offering the ability to access a vast library of resources at our fingertips. With platforms like Project Gutenberg, Open Library, and various digital libraries offered by educational institutions, we have access to an ever-expanding collection of books and manuals. Whether for educational, professional, or personal purposes, these digital resources serve as valuable tools for continuous learning and self-improvement. So why not take advantage of the vast world of Circuit Diagram Guide books and manuals for download and embark on your journey of knowledge?

FAQs About Circuit Diagram Guide Books

What is a Circuit Diagram Guide PDF? A PDF (Portable Document Format) is a file format developed by Adobe that preserves the layout and formatting of a document, regardless of the software, hardware, or operating system used to view or print it. **How do I create a Circuit Diagram Guide PDF?** There are several ways to create a PDF: Use software like Adobe Acrobat, Microsoft Word, or Google Docs, which often have built-in PDF creation tools. Print to PDF: Many applications and operating systems have a "Print to PDF" option that allows you to save a document as a PDF file instead of printing it on paper. Online converters: There are various online tools that can convert different file types to PDF. **How do I edit a Circuit Diagram Guide PDF?** Editing a PDF can be done with software like Adobe Acrobat, which allows direct editing of text, images, and other elements within the PDF. Some free tools, like PDFescape or Smallpdf, also offer basic editing capabilities. **How do I convert a Circuit Diagram Guide PDF to another file format?** There are multiple ways to convert a PDF to another format: Use online converters like Smallpdf, Zamzar, or Adobe Acrobat's export feature to convert PDFs to formats like Word, Excel, JPEG, etc. Software like Adobe Acrobat, Microsoft Word, or other PDF editors may have options to export or save PDFs in different formats. **How do I password-protect a Circuit Diagram Guide PDF?** Most PDF editing software allows you to add password protection. In Adobe Acrobat, for instance, you can go to "File" -> "Properties" -> "Security" to set a password to restrict access or editing capabilities. Are there any free alternatives to Adobe Acrobat for working with PDFs? Yes, there are many free alternatives for working with PDFs, such as: LibreOffice: Offers PDF editing features. PDFsam: Allows splitting, merging, and editing PDFs. Foxit Reader: Provides basic PDF viewing and

editing capabilities. How do I compress a PDF file? You can use online tools like Smallpdf, ILovePDF, or desktop software like Adobe Acrobat to compress PDF files without significant quality loss. Compression reduces the file size, making it easier to share and download. Can I fill out forms in a PDF file? Yes, most PDF viewers/editors like Adobe Acrobat, Preview (on Mac), or various online tools allow you to fill out forms in PDF files by selecting text fields and entering information. Are there any restrictions when working with PDFs? Some PDFs might have restrictions set by their creator, such as password protection, editing restrictions, or print restrictions. Breaking these restrictions might require specific software or tools, which may or may not be legal depending on the circumstances and local laws.

Find Circuit Diagram Guide :

productivity hacks apps for entrepreneurs 2-2201 productivity hacks best

retirement planning strategies for creators 2-2299 retirement planning

for startups 2-953 passive income ideas ideas America 2-2760 passive

**for small business 2-2342 parenting tips best practices for small
guide for creators 2-2129 interview tips guide for creators 2-480**

parenting tips tools for creators 2-2412 parenting tips tools for

improvement software USA 2-1336 credit score improvement software for

trends United States 2-2033 personal finance trends for creators 2-2807

checklist America 2-1216 mental wellness checklist for entrepreneurs

jobs review United States 2-1725 remote jobs review for creators 2-1868

chatbot development guide for creators 2-2684 chatbot development guide

real estate investing explained USA 2-2861 real estate investing for

examples for small business 2-2561 freelancing online explained for

cybersecurity tips for startups 2-811 cybersecurity tools for creators

mobile app ideas roadmap United States 2-2354 mobile app ideas roadmap

Circuit Diagram Guide :

cooking with cannabis the most effective methods of preparing food - Jun 29 2023

cooking with cannabis includes everything from soup to nuts the epicurean marijuana enthusiast combines altered consciousness with good taste includes tasty recipes for boiling baking

cooking with cannabis the most effective methods of preparing food - Jul 19 2022

cooking with cannabis the most effective methods of preparing food and drink with marijuana pairing cannabis and dessert cannabis cookbook easy cannabis cookbook the ultimate cannabis cookbook cannabis cookbook easy sweet and savory recipes to cook with medical marijuana and cbd edible cooking with cannabis pass the greens cannabis

cooking with cannabis 7 easy tips for beginners honest marijuana - May 29 2023

don t be afraid of cooking with cannabis in this article the experts at honest marijuana discuss the best tips for mixing weed into your food and drink

how to make edibles leafly s guide to cooking with cannabis - Feb 23 2023

apr 14 2020 what are edibles cannabis edibles are any food that is infused with cannabis compounds like thc and cbd a great option for those who don t want to smoke cannabis but still enjoy it

cooking with cannabis the most effective methods of preparing food - Jul 31 2023

buy cooking with cannabis the most effective methods of preparing food and drink with marijuana hashish and hash oil third e third by gottlieb adam isbn 9780914171553 from amazon s book store everyday low prices and free delivery on eligible orders

the art and science of cooking with cannabis the most effective - Jan 25 2023

dec 17 1993 cooking with cannabis includes everything from soup to nuts the epicurean marijuana enthusi the art and science of cooking with cannabis the most effective methods of preparing food and drink with marijuana hashish and hash oil by adam gottlieb goodreads

cooking with cannabis the most effective methods of preparing food - Oct 02 2023

cooking with cannabis the most effective methods of preparing food and drink with marijuana hashish and hash oil third edition notice to reader this book is made available for entertajnmn archival and informa tional purposes only in accord w

the art and science of cooking with cannabis the most effective - Dec 24 2022

the art and science of cooking with cannabis the most effective methods of preparing food drink with marijuana hashish hash oil by adam gottlieb

9780914171553 cooking with cannabis the most effective methods - Apr 15 2022

cooking with cannabis by gottlieb a and a great selection of related books art and collectibles available now at abebooks co uk 9780914171553 cooking with cannabis the most effective methods of preparing food and drink with marijuana hashish and hash oil third e by gottlieb adam abebooks

cooking with cannabis the most effective methods of preparing food - Sep 20 2022

abebooks com cooking with cannabis the most effective methods of preparing food and drink with marijuana hashish and

hash oil third e 9780914171553 by gottlieb adam and a great selection of similar new used and collectible books available now at great prices

the art and science of cooking with cannabis the most effective - Sep 01 2023

the art and science of cooking with cannabis the most effective methods of preparing food drink with marijuana hashish hash oil gottlieb adam free download borrow and streaming internet archive

cooking with cannabis the most effective methods of preparing food - May 17 2022

cooking with cannabis the most effective methods of preparing food and drink with marijuana is available in our book collection an online access to it is set as public so you can download it instantly

cooking with cannabis a beginner s guide to making marijuana edibles - Apr 27 2023

aug 25 2023 now that the prep work is complete let s start cooking with cannabis and making edibles getting your cannabis ready for cooking cooking with marijuana calls for decarboxylation that s because when using dried flower you re mostly getting the cannabinoid thca and or cbda put simply these cannabinoids are acid forms that our body can t do

cooking with cannabis the most effective methods of preparing food - Oct 22 2022

cooking with cannabis the most effective methods of preparing food and drink with marijuana 3 3 boldly beyond pot brownies with delicious and unique baked confections as well as innovative savory treats designed for bakers and cooks of all skill levels edibles small bites for the modern cannabis kitchen includes simple recipes like spiced

cooking with cannabis the most effective methods of preparing food - Aug 20 2022

may 1 2009 cooking with cannabis the most effective methods of preparing food and drink with marijuana hashish and hash oil third e ebook gottlieb adam amazon co uk kindle store

cooking with cannabis the most effective methods of preparing food - Jun 17 2022

cooking with cannabis the most effective methods of preparing food and drink with marijuana hashish and hash oil third e by gottlieb adam at abebooks co uk isbn 10 0914171550 isbn 13 9780914171553 ronin publishing 1994 softcover

a beginner s guide to cooking with cannabis theherbsomm com - Mar 15 2022

jan 3 2021 activation for cbd begins at 295 f 146 c for 30 to 60 minutes and at 240 f 115 c for 30 to 60 minutes for the however some chefs prefer to decarboxylate at slightly higher temperatures chef coreen recommends setting your oven to 275 f 140 c line a pan with parchment paper cut up your flower into pea sized pieces and bake for

cooking with cannabis 101 a complete guide wake and bake - Nov 22 2022

mar 4 2021 once you master these cannabis cooking basics you ll be able to infuse virtually anything with cannabis step 1 learn dosage math or use a dosage calculator if you re cooking with cannabis the most important step is figuring out in milligrams the approximate amount of thc cbd and cbg that will be present in your recipes

cooking with cannabis the most effective methods of preparing food - Feb 11 2022

cooking with cannabis the most effective methods of preparing food and drink with marijuana downloaded from legacy theoc.org by guest alicia saniya the art and science of cooking with cannabis chronicle books 55 off for bookstores this is going to be your ultimate cannabis cooking bible have you ever wondered how you

cooking with cannabis the most effective methods of preparing food - Mar 27 2023

cooking with cannabis the most effective methods of preparing food and drink with marijuana hashish and hash oil third ebook written by adam gottlieb read this book using google play books app on your pc android ios devices

genius lego inventions with bricks you already have - Jan 13 2022

genius lego inventions with bricks you already have 40 new - Nov 22 2022

calling all tinkerers experimenters inventors unleash your creative powers with exciting lego innovations use science and engineering to transform your bin of lego bricks into

genius lego inventions with bricks you already have - May 29 2023

nov 13 2018 genius lego inventions with bricks you already have 40 new robots vehicles contraptions gadgets games and other fun stem creations by sarah dees

genius lego inventions with bricks you already have target - May 17 2022

genius lego inventions with bricks you already have 40 new robots vehicles contraptions gadgets games and other fun stem creations is written by sarah dees and

genius lego inventions with bricks you already have - Feb 11 2022

nov 13 2018 genius lego inventions with bricks you already have 40 new robots vehicles contraptions gadgets games and other fun stem creations sarah dees on

genius lego inventions with bricks you already have 40 new - Jan 25 2023

genius lego inventions with bricks you already have video demonstrations watch video demonstrations of the projects in

genius lego inventions with bricks you already have

genius lego inventions with bricks you already have - Jul 31 2023

nov 13 2018 genius lego inventions with bricks you already have 40 new robots vehicles contraptions gadgets games and other fun stem creations sarah dees 4 52 44

genius lego inventions with bricks you already have video - Oct 22 2022

oct 2 2018 this video is a sneak peek of a few of the 40 projects in the book genius lego inventions with bricks you already have the book is available to purchase on amazon

genius lego inventions with bricks you already have 40 new - Nov 10 2021

[a sneak peek into genius lego inventions with bricks you](#) - Jul 19 2022

nov 13 2018 genius lego inventions with bricks you already have ebook mid 40 new robots vehicles contraptions gadgets games and other fun stem creations by sarah

[genius lego inventions with bricks you already have](#) - Mar 27 2023

nov 13 2018 booktopia has genius lego inventions with bricks you already have 40 new robots vehicles contraptions gadgets games and other stem projects with real

genius lego inventions with bricks you already have - Aug 20 2022

nov 13 2018 read reviews and buy genius lego inventions with bricks you already have by sarah dees paperback at target choose from same day delivery drive up or order

genius lego inventions with bricks you already have overdrive - Apr 15 2022

genius lego inventions with bricks you already have is perfect for science lovers fans of sarahs previous books and really anyone who loves lego this book shares fun and

genius lego inventions with bricks you already have - Mar 15 2022

epic lego adventures with bricks you already have how to build brick airplanes the big book of amazing lego creations with bricks you already have lego gadgets birds from

genius lego inventions with bricks you already have - Apr 27 2023

calling all tinkerers experimenters amp inventors unleash your creative powers with exciting lego r innovations use science and engineering to transform your bin of lego r

[genius lego inventions with bricks you already have 40 new](#) - Sep 01 2023

use science and engineering to transform your bin of lego bricks into amazing movable toys machines and gadgets bestselling author sarah dees is back with an all new collection of

genius lego inventions with bricks you already have 40 new - Sep 20 2022

genius lego inventions with bricks you already have 40 new robots vehicles contraptions gadgets games and other stem projects with real moving parts dees

genius lego inventions with bricks you already have booktopia - Dec 24 2022

condition new genius lego inventions with bricks you already have 40 new robots vehicles contraptions gadgets games and other fun stem creations book seller

genius lego inventions with bricks you already - Jun 29 2023

nov 13 2018 use science and engineering to transform your bin of lego bricks into amazing movable toys machines and gadgets bestselling author sarah dees is back with an

genius lego inventions with bricks you already have - Feb 23 2023

genius lego inventions with bricks you already have 40 new robots vehicles contraptions gadgets games and other fun stem creations ebook dees sarah

genius lego inventions with bricks you already have - Oct 02 2023

genius lego inventions with bricks you already have 40 new robots vehicles contraptions gadgets games and other stem projects with real moving parts dees

genius lego inventions with bricks you already ha 2022 - Dec 12 2021

genius lego inventions with bricks you already have 40 new - Jun 17 2022

use science and engineering to transform your bin of lego bricks into amazing movable toys machines and gadgets bestselling author sarah dees is back with an all new collection of

perfection learning corpoation tkam vocab building - Jul 27 2022

web oct 8 2023 perfection learning corpoation tkam vocab building vocabu lit book f answers bing blog with pdf links 32 35 tom sawyer language study sets and

vocabu lit building vocabulary through literature book i - May 05 2023

web vocabu lit building vocabulary through literature book i perfection learning corporation about the author perfection learning corporation 210

perfection learning corpoation tkam vocab building - Jan 01 2023

web perfection learning corpoation tkam vocab building 1 perfection learning corpoation tkam vocab building texts and lessons for teaching literature three

building vocabulary through literature perfection learning - Jun 06 2023

web table of contents lesson 1 from the chocolate touch patrick skene catling 2 lesson 2 from ramona quimby age 8 beverly cleary 8 lesson 3

perfection learning corpoation tkam vocab building - Aug 28 2022

web perfection learning corpoation tkam vocab building to kill a mockingbird pearson education april 30th 2018 to kill a mockingbird harper lee contents 2 at the end of

vocabu lit building vocabulary throught literature book g - Aug 08 2023

web aug 1 2022 vocabu lit building vocabulary throught literature book g by perfection learning corporation 2002

perfection learning edition vocabu lit building

[tkam perfection learning test pdf pdf to kill a](#) - Oct 30 2022

web perfection learning corpoation tkam vocab building to kill a mockingbird all words vocabulary list perfection learning used books rare books and new books

book b perfection learning - Sep 09 2023

web perfection learning perfection learning corporation 1000 north second avenue p o box 500 logan iowa 51546 0500

perfectionlearning com printed in the u s a

[book d perfection learning](#) - Oct 10 2023

web perfection learning perfection learning corporation 1000 north second avenue p o box 500 logan iowa 51546 0500

perfectionlearning com printed in the u s a

[vocabu lit building vocabulary through literature book l](#) - Apr 04 2023

web vocabu lit building vocabulary through literature book l by perfection learning corporation isbn 10 0756999596 isbn 13 9780756999599 perfection learning

about us perfection learning perfection learning - Mar 03 2023

web feb 28 2023 inside their computer perfection learning corpoation tkam vocab building is handy in our digital library an online right of entry to it is set as public for that

home perfection com my - Mar 23 2022

web perfection training academy s b kepong kuala lumpur malaysia 8 842 likes 2 talking about this 201 were here perfection the training academy was established in 1978

perfection learning corpoation tkam vocab building - Jun 25 2022

web oct 4 2022 this online message perfection learning corpoation tkam vocab building can be one of the options to accompany you in imitation of having other time it will not

[tkam vocabulary flashcards quizlet](#) - Jul 07 2023

web start studying tkam vocabulary learn vocabulary terms and more with flashcards games and other study tools

perfection english meaning cambridge dictionary - Apr 23 2022

web contact us perfection centers hq kepong tel 603 6273 1622 6012 223 8622 selayang jaya tel 603 6136 8622 6012 701 8622

perfection learning corpoation tkam vocab building copy - Nov 30 2022

web tkam perfection learning test pdf free download as pdf file pdf text file txt or read online for free

perfection training academy s b kuala lumpur facebook - Feb 19 2022

web perfection definition see examples of perfection used in a sentence

perfection learning corpoation tkam vocab building copy - May 25 2022

web perfection definition 1 the state of being complete and correct in every way 2 extremely well 3 the state of being learn more

perfection learning corpoation tkam vocab building book - Feb 02 2023

web perfection learning corpoation tkam vocab building amos is a mouse who begins building perfection learning official site april 30th 2018 perfection learning 1000

perfection learning corpoation tkam vocab building - Sep 28 2022

web perfection learning corpoation tkam vocab building april 14th 2018 vocabu lit building vocabulary through literature perfection learning by perfection learning

book c teacher guide perfection learning - Dec 20 2021

perfection definition usage examples dictionary com - Jan 21 2022

web perfection learning corporation 1000 north second avenue p o box 500 logan iowa 51546 0500 perfectionlearning com printed in the u s a 79814 3 book c