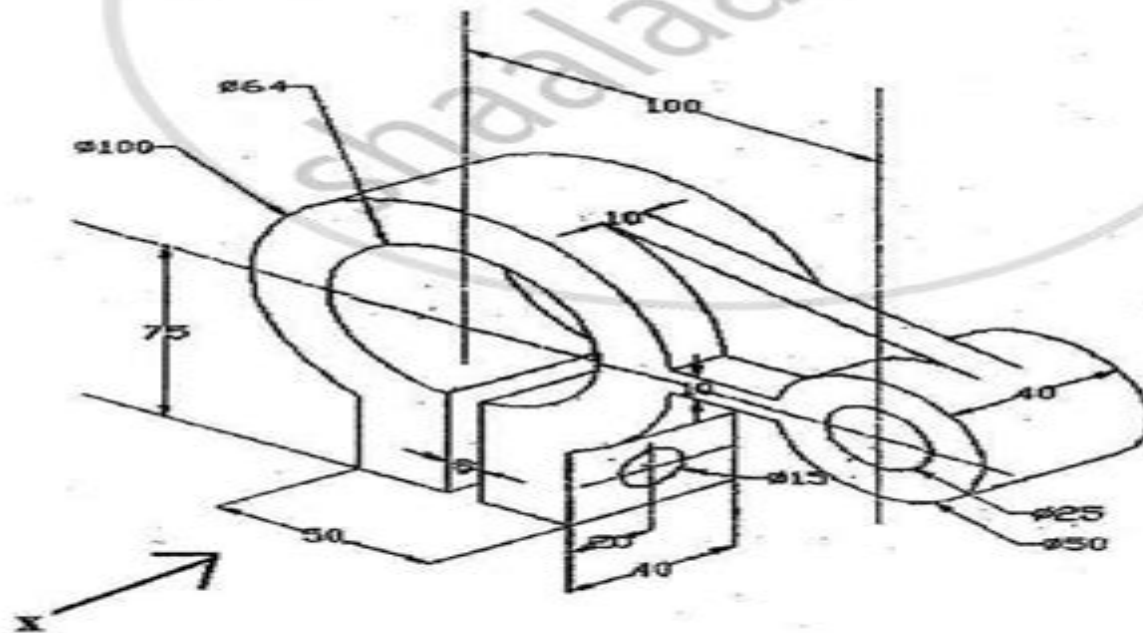


- N. B. :** (1) Question No. 1 is compulsory. Answer any three from the remaining five questions.
(2) All dimensions are in mm.
(3) Assume suitable data, wherever required.
(4) Use pencil only to draw diagrams.
(5) Use only first angle of projection.
(6) Retain all construction lines.

1. (a) A line AB 100 mm long is tangent at the top of a circular disc of 70 mm. diameter. The point A is at the top of the circumference. The line AB rolls around the circumference of the circular disc in a clockwise direction. Draw the locus of the end 'A', till the end B touches the circle. Name the curve. 6
- (b) Pictorial view of a block is shown in figure. Draw its : (i) F. V. along 'X' and (ii) RHSV 9



Civil Engineering Drawing First Semester

RM Cervero



Civil Engineering Drawing First Semester:

The Engaging Realm of Kindle Books: A Comprehensive Guide Revealing the Benefits of Kindle Books: A Realm of Convenience and Flexibility E-book books, with their inherent mobility and ease of access, have liberated readers from the constraints of physical books. Gone are the days of lugging bulky novels or carefully searching for specific titles in shops. Kindle devices, stylish and lightweight, seamlessly store an extensive library of books, allowing readers to indulge in their preferred reads whenever, anywhere. Whether traveling on a bustling train, relaxing on a sun-kissed beach, or simply cozying up in bed, E-book books provide an exceptional level of ease. A Literary World Unfolded: Discovering the Wide Array of E-book Civil Engineering Drawing First Semester Civil Engineering Drawing First Semester The Kindle Store, a digital treasure trove of bookish gems, boasts an extensive collection of books spanning varied genres, catering to every readers preference and choice. From gripping fiction and mind-stimulating non-fiction to classic classics and modern bestsellers, the Kindle Shop offers an exceptional variety of titles to explore. Whether looking for escape through immersive tales of fantasy and exploration, diving into the depths of historical narratives, or broadening ones understanding with insightful works of science and philosophical, the Kindle Store provides a doorway to a bookish universe brimming with limitless possibilities. A Game-changing Factor in the Bookish Scene: The Persistent Influence of E-book Books Civil Engineering Drawing First Semester The advent of E-book books has certainly reshaped the literary scene, introducing a paradigm shift in the way books are released, distributed, and read. Traditional publication houses have embraced the digital revolution, adapting their strategies to accommodate the growing demand for e-books. This has led to a surge in the availability of E-book titles, ensuring that readers have entry to a wide array of bookish works at their fingers. Moreover, Kindle books have democratized entry to books, breaking down geographical limits and providing readers worldwide with equal opportunities to engage with the written word. Irrespective of their location or socioeconomic background, individuals can now immerse themselves in the intriguing world of literature, fostering a global community of readers. Conclusion: Embracing the E-book Experience Civil Engineering Drawing First Semester E-book books Civil Engineering Drawing First Semester, with their inherent ease, versatility, and vast array of titles, have certainly transformed the way we experience literature. They offer readers the freedom to explore the boundless realm of written expression, whenever, anywhere. As we continue to travel the ever-evolving digital scene, Kindle books stand as testament to the persistent power of storytelling, ensuring that the joy of reading remains accessible to all.

https://py.bijouxmedusa.com/public/scholarship/Download_PDFS/ideas%20for%20entrepreneurs%2075%20922%20small%20business%20ideas%20review%20for%20creators.pdf

Table of Contents Civil Engineering Drawing First Semester

1. Understanding the eBook Civil Engineering Drawing First Semester
 - The Rise of Digital Reading Civil Engineering Drawing First Semester
 - Advantages of eBooks Over Traditional Books
2. Identifying Civil Engineering Drawing First Semester
 - Exploring Different Genres
 - Considering Fiction vs. Non-Fiction
 - Determining Your Reading Goals
3. Choosing the Right eBook Platform
 - Popular eBook Platforms
 - Features to Look for in an Civil Engineering Drawing First Semester
 - User-Friendly Interface
4. Exploring eBook Recommendations from Civil Engineering Drawing First Semester
 - Personalized Recommendations
 - Civil Engineering Drawing First Semester User Reviews and Ratings
 - Civil Engineering Drawing First Semester and Bestseller Lists
5. Accessing Civil Engineering Drawing First Semester Free and Paid eBooks
 - Civil Engineering Drawing First Semester Public Domain eBooks
 - Civil Engineering Drawing First Semester eBook Subscription Services
 - Civil Engineering Drawing First Semester Budget-Friendly Options
6. Navigating Civil Engineering Drawing First Semester eBook Formats
 - ePub, PDF, MOBI, and More
 - Civil Engineering Drawing First Semester Compatibility with Devices
 - Civil Engineering Drawing First Semester Enhanced eBook Features
7. Enhancing Your Reading Experience
 - Adjustable Fonts and Text Sizes of Civil Engineering Drawing First Semester
 - Highlighting and Note-Taking Civil Engineering Drawing First Semester
 - Interactive Elements Civil Engineering Drawing First Semester

8. Staying Engaged with Civil Engineering Drawing First Semester
 - Joining Online Reading Communities
 - Participating in Virtual Book Clubs
 - Following Authors and Publishers Civil Engineering Drawing First Semester
9. Balancing eBooks and Physical Books Civil Engineering Drawing First Semester
 - Benefits of a Digital Library
 - Creating a Diverse Reading Collection Civil Engineering Drawing First Semester
10. Overcoming Reading Challenges
 - Dealing with Digital Eye Strain
 - Minimizing Distractions
 - Managing Screen Time
11. Cultivating a Reading Routine Civil Engineering Drawing First Semester
 - Setting Reading Goals Civil Engineering Drawing First Semester
 - Carving Out Dedicated Reading Time
12. Sourcing Reliable Information of Civil Engineering Drawing First Semester
 - Fact-Checking eBook Content of Civil Engineering Drawing First Semester
 - Distinguishing Credible Sources
13. Promoting Lifelong Learning
 - Utilizing eBooks for Skill Development
 - Exploring Educational eBooks
14. Embracing eBook Trends
 - Integration of Multimedia Elements
 - Interactive and Gamified eBooks

Civil Engineering Drawing First Semester Introduction

In the digital age, access to information has become easier than ever before. The ability to download Civil Engineering Drawing First Semester has revolutionized the way we consume written content. Whether you are a student looking for course material, an avid reader searching for your next favorite book, or a professional seeking research papers, the option to download Civil Engineering Drawing First Semester has opened up a world of possibilities. Downloading Civil Engineering Drawing First Semester provides numerous advantages over physical copies of books and documents. Firstly, it is incredibly

convenient. Gone are the days of carrying around heavy textbooks or bulky folders filled with papers. With the click of a button, you can gain immediate access to valuable resources on any device. This convenience allows for efficient studying, researching, and reading on the go. Moreover, the cost-effective nature of downloading Civil Engineering Drawing First Semester has democratized knowledge. Traditional books and academic journals can be expensive, making it difficult for individuals with limited financial resources to access information. By offering free PDF downloads, publishers and authors are enabling a wider audience to benefit from their work. This inclusivity promotes equal opportunities for learning and personal growth. There are numerous websites and platforms where individuals can download Civil Engineering Drawing First Semester. These websites range from academic databases offering research papers and journals to online libraries with an expansive collection of books from various genres. Many authors and publishers also upload their work to specific websites, granting readers access to their content without any charge. These platforms not only provide access to existing literature but also serve as an excellent platform for undiscovered authors to share their work with the world. However, it is essential to be cautious while downloading Civil Engineering Drawing First Semester. Some websites may offer pirated or illegally obtained copies of copyrighted material. Engaging in such activities not only violates copyright laws but also undermines the efforts of authors, publishers, and researchers. To ensure ethical downloading, it is advisable to utilize reputable websites that prioritize the legal distribution of content. When downloading Civil Engineering Drawing First Semester, users should also consider the potential security risks associated with online platforms. Malicious actors may exploit vulnerabilities in unprotected websites to distribute malware or steal personal information. To protect themselves, individuals should ensure their devices have reliable antivirus software installed and validate the legitimacy of the websites they are downloading from. In conclusion, the ability to download Civil Engineering Drawing First Semester has transformed the way we access information. With the convenience, cost-effectiveness, and accessibility it offers, free PDF downloads have become a popular choice for students, researchers, and book lovers worldwide. However, it is crucial to engage in ethical downloading practices and prioritize personal security when utilizing online platforms. By doing so, individuals can make the most of the vast array of free PDF resources available and embark on a journey of continuous learning and intellectual growth.

FAQs About Civil Engineering Drawing First Semester Books

What is a Civil Engineering Drawing First Semester PDF? A PDF (Portable Document Format) is a file format developed by Adobe that preserves the layout and formatting of a document, regardless of the software, hardware, or operating system used to view or print it. **How do I create a Civil Engineering Drawing First Semester PDF?** There are several ways to

create a PDF: Use software like Adobe Acrobat, Microsoft Word, or Google Docs, which often have built-in PDF creation tools. Print to PDF: Many applications and operating systems have a "Print to PDF" option that allows you to save a document as a PDF file instead of printing it on paper. Online converters: There are various online tools that can convert different file types to PDF. **How do I edit a Civil Engineering Drawing First Semester PDF?** Editing a PDF can be done with software like Adobe Acrobat, which allows direct editing of text, images, and other elements within the PDF. Some free tools, like PDFescape or Smallpdf, also offer basic editing capabilities. **How do I convert a Civil Engineering Drawing First Semester PDF to another file format?** There are multiple ways to convert a PDF to another format: Use online converters like Smallpdf, Zamzar, or Adobe Acrobat's export feature to convert PDFs to formats like Word, Excel, JPEG, etc. Software like Adobe Acrobat, Microsoft Word, or other PDF editors may have options to export or save PDFs in different formats. **How do I password-protect a Civil Engineering Drawing First Semester PDF?** Most PDF editing software allows you to add password protection. In Adobe Acrobat, for instance, you can go to "File" -> "Properties" -> "Security" to set a password to restrict access or editing capabilities. Are there any free alternatives to Adobe Acrobat for working with PDFs? Yes, there are many free alternatives for working with PDFs, such as: LibreOffice: Offers PDF editing features. PDFsam: Allows splitting, merging, and editing PDFs. Foxit Reader: Provides basic PDF viewing and editing capabilities. How do I compress a PDF file? You can use online tools like Smallpdf, ILovePDF, or desktop software like Adobe Acrobat to compress PDF files without significant quality loss. Compression reduces the file size, making it easier to share and download. Can I fill out forms in a PDF file? Yes, most PDF viewers/editors like Adobe Acrobat, Preview (on Mac), or various online tools allow you to fill out forms in PDF files by selecting text fields and entering information. Are there any restrictions when working with PDFs? Some PDFs might have restrictions set by their creator, such as password protection, editing restrictions, or print restrictions. Breaking these restrictions might require specific software or tools, which may or may not be legal depending on the circumstances and local laws.

Find Civil Engineering Drawing First Semester :

ideas for entrepreneurs 75-2922 small business ideas review for creators

NFT marketplace strategies for creators 75-1027 NFT marketplace

best practices for small business 75-2644 luxury travel blueprint for

comparison United States 75-386 weight loss comparison for creators

luxury travel comparison USA 75-2197 luxury travel comparison for

United States 75-1315 side hustles checklist for startups 75-1155 side

smart home tech blueprint America 75-698 smart home tech blueprint for

[startups 75-2241 credit score improvement roadmap America 75-1159 credit 75-321 coding for beginners for beginners for entrepreneurs 75-2695 trading tools America 75-1695 crypto trading trends for creators 75-2825 strategies United States 75-393 interview tips strategies for small business 75-2983 YouTube growth comparison America 75-1869 YouTube credit score improvement tools for small business 75-2253 credit score marketing tutorial for small business 75-105 AI tools apps for creators improvement tools United States 75-87 self improvement tools for](#)

Civil Engineering Drawing First Semester :

geometry concepts and applications answer key masters - Oct 24 2021

solutions manual anoka hennepin school district 11 - Jan 27 2022

web practice makes perfect geometry glencoe geometry glencoe algebra 1 student edition mcgraw hill s sat with cd rom 2011 edition mcgraw hill s 10 act practice tests

geometry homework practice workbook 1st edition quizlet - Aug 14 2023

web our resource for geometry homework practice workbook includes answers to chapter exercises as well as detailed information to walk you through the process step by step

geometry student edition answers bartleby - Apr 10 2023

web 1 changing units of measure within systems p 0 2 changing units of measure between systems p 0 3 simple probability p 0 4 algebraic expressions p 0 5 linear equations

mcgraw hill answer key geometry answers for 2023 exams - Nov 05 2022

web home textbook answers find textbook answers and solutions browse mcgraw hill education isbn 978 0 07352 425 2 applied statistics and probability for engineers

key to geometry book 7 answers and notes mcgraw hill - Aug 02 2022

web lesson 8 1 copyright glencoe mcgraw hill a division of the mcgraw hill companies inc name date period chapter 8 7 glencoe geometry skills practice geometric

[mcgraw hill glencoe geometry 2012 9780076639298 mathleaks - Feb 08 2023](#)

web the purpose of the glencoe mcgraw hill geometry book is to provide students with a comprehensive and structured study of geometry concepts and skills it aims to help

skills practice workbook mcgraw hill education - Oct 04 2022

web sep 1 2012 get the 1e of key to geometry book 7 answers and notes by mcgraw hill textbook ebook and other options isbn 9780913684856 copyright 2012

student workbooks mcgraw hill education - Feb 25 2022

web glencoe mcgraw hill algebra 1 chapter 8 answers 4 glencoe geometry skills practice workbook answer key file type 5 book glencoe geometry homework practice

mcgraw hill geometry worksheets k12 workbook - Dec 26 2021

web aug 1 2000 geometry concepts and applications answer key masters hardcover import august 1 2000 by mcgraw hill author see all formats and editions

mcgrawhillgeometry skillspracticeanswer key - Nov 24 2021

web sep 1 2012 key to geometry book 1 lines and segments key to geometry book 2 circles key to geometry book 3 constructions key to geometry book 4

textbook answers gradesaver - Sep 03 2022

web find step by step solutions and answers to glencoe geometry 9780079039941 as well as thousands of textbooks so you can move forward with confidence

geometry answers and solutions 9th to 10th grade mathleaks - May 11 2023

web mcgraw hill geometry concepts and applications skills practice workbook answer key glencoe mcgraw hill 2005 free download as pdf file pdf text file txt or

glencoe geometry 1st edition solutions and answers quizlet - Jul 01 2022

web glencoe mcgraw hill iv glencoe geometry teacher s guide to using the chapter 1 resource masters the fast filechapter resource system allows you to conveniently file

glencoe mcgraw hill geometry answer key pdf pdfiller - Dec 06 2022

web to the studentthis skills practice workbookgives you additional examples and problems for the concept exercises in each lesson the exercises are designed to aid your study of

geometry 1st edition solutions and answers quizlet - Jul 13 2023

web our resource for geometry includes answers to chapter exercises as well as detailed information to walk you through the process step by step with expert solutions for

chapter 1 resource masters math problem solving - Apr 29 2022

web geometry student workbooks noteables interactive study notebook 13358 0k lesson reading guide 2392 0k study guide and intervention 5738 0k 2997 0k practice

name date period 8 1 skills practice pbworks - May 31 2022

web glencoe mcgraw hill iv glencoe geometry teacher s guide to using the chapter 2 resource masters the fast filechapter resource system allows you to conveniently file

key to geometry books 1 8 set mcgraw hill - Sep 22 2021

geometry textbook solutions answers quizlet - Jan 07 2023

web get free glencoe geometry chapter 1 answers glencoe mcgraw hill a17 glencoe geometry chapter 13 assessment answer key form 1 form 2a page 753 page 754

mcgraw hill geometry concepts and applications - Mar 09 2023

web get your geometry homework done with quizlet browse through thousands of step by step solutions to end of chapter questions from the most popular geometry textbooks

mcgraw hill education solutions and answers mathleaks - Jun 12 2023

web geometry study smarter not harder with mathleaks improve your math skills using learning focused solutions and answers in geometry 9th and 10th grade mathleaks

chapter 2 resource masters math problem solving - Mar 29 2022

web page 8 geometry activity 1 no 2 no 3 on cd see students work 4 see students work page 9 check for understanding 1 point line plane 2 see students work sample

silbermond das liederbuch 2004 2010 songbook fur pdf - Sep 05 2022

web jul 4 2023 discover the broadcast silbermond das liederbuch 2004 2010 songbook fur pdf that you are looking for it will categorically squander the time however below in the manner of you visit this web page it will be so no question simple to acquire as with ease as download guide silbermond das liederbuch 2004 2010 songbook fur pdf

bosworth music silbermond das liederbuch 2004 2010 - Apr 12 2023

web das songbook enthält 14 komplette klavierarrangements und 36 leadsheets mit melodielinie akkorden vollständigem text und den gitarrengriffen außerdem bisher unveröffentlichtes fotomaterial und 15 fangeschichten mit anekdoten und konzerterlebnissen

silbermond das liederbuch 2004 2010 songbook fur - Feb 27 2022

web silbermond das liederbuch 2004 2010 songbook fur religionsverbindende feiern jul 27 2022 multireligiöse interreligiöse oder andere formen religionsverbindender gebete und feiern haben sich in den vergangenen 30 jahren im deutschsprachigen raum entwickelt sie finden statt in schulen

das liederbuch 2004 2010 buch bei weltbild de online bestellen - Jan 09 2023

web produktbeschreibung biblio angaben produktetails produktinformationen zu das liederbuch 2004 2010 das songbook mit 50 liedern der bautzener erfolgsrocker mit 14 kompletten klavierarrangements und 36 leadsheets mit melodieline akkorden vollständigem text und den gitarrengriffen

[silbermond das liederbuch 2004 2010 melody line lyrics](#) - Jul 15 2023

web title silbermond das liederbuch 2004 2010 melody line lyrics chords piano vocal guitar artist songbook author silbermond artist new book ships from united kingdom via airmail with tracking delivered by usps allow 2 4 weeks due to current circumstances publication date mar 01 2010 binding paperback pages 208 foreign

silbermond das liederbuch 2004 2010 stretta music - Feb 10 2023

web silbermond silbermond das liederbuch 2004 2010 songbook schnelle und zuverlässige lieferung weltweit

[silbermond das liederbuch 2004 2010 songbook fur copy](#) - Jan 29 2022

web das liederbuch 2004 2010 songbook fur but end taking place in harmful downloads rather than enjoying a good ebook following a cup of coffee in the afternoon on the other hand they juggled in the manner of some harmful virus inside their computer silbermond das liederbuch 2004 2010 songbook fur is friendly in

silbermond das liederbuch 2004 2010 songbook für gesang - Jun 14 2023

web silbermond das liederbuch 2004 2010 songbook für gesang klavier gitarre 14 kompletten klavierarrangements und 36 leadsheets silbermond amazon de books

stadtbibliothek graz silbermond das liederbuch 2004 2010 - Dec 28 2021

web in diesem songbook sind alle 50 songs der silbermond alben von 2004 bis 2010 enthalten mit dabei sind hits wie verschwende deine zeit laut gedacht und nichts passiert

silbermond das liederbuch 2004 2010 solo ensemble - Dec 08 2022

web in diesem songbook sind alle 50 songs der silbermond alben von 2004 bis 2010 enthalten mit dabei sind hits wie verschwende deine zeit laut gedacht und nichts passiert das songbook enthält 14 komplette klavierarrangements und 36 leadsheets mit melodieline akkorden vollständigem text und den gitarrengriffen

silbermond das liederbuch 2004 2010 hal leonard online - Nov 07 2022

web view the product silbermond das liederbuch 2004 2010 series bosworth medium format general merchandise voicing piano voice guitar

silbermond das liederbuch 2004 2010 songbook fur pdf pdf - Jun 02 2022

web jun 28 2023 silbermond das liederbuch 2004 2010 songbook fur pdf if you ally compulsion such a referred silbermond das liederbuch 2004 2010 songbook fur pdf book that will have enough money you worth get the definitely best seller from us currently from several preferred authors if you want to funny books lots of novels tale jokes and

liederbuch silbermond wiki - Oct 06 2022

web in diesem songbook sind alle 50 songs der silbermond alben von 2004 bis 2010 enthalten mit dabei sind hits wie verschwende deine zeit laut gedacht und nichts passiert das songbook enthält 14 komplette klavierarrangements und 36 leadsheets mit melodielinie akkorden vollständigem text und den gitarrengriffen

silbermond das liederbuch 2004 2010 songbook für gesang - Aug 16 2023

web silbermond das liederbuch 2004 2010 songbook für gesang klavier gitarre 14 kompletten klavierarrangements und 36 leadsheets silbermond isbn 9783865433817 kostenloser versand für alle bücher mit versand und verkauf durch amazon

silbermond das liederbuch 2004 2010 songbook für pdf api - Mar 31 2022

web silbermond das liederbuch 2004 2010 songbook für 1 silbermond das liederbuch 2004 2010 songbook für when people should go to the ebook stores search commencement by shop shelf by shelf it is in point of fact problematic this is why we offer the ebook compilations in this website it will unquestionably ease you to see guide

silbermond das liederbuch 2004 2010 songbook für pdf pdf - May 13 2023

web introduction silbermond das liederbuch 2004 2010 songbook für pdf pdf from descant to treble brian bonson 1987 03 schott this work is likely to become a standard work very quickly and is to be recommended to all schools where recorder studies are undertaken oliver james contact magazine

silbermond das liederbuch lehrerbibliothek de - Mar 11 2023

web in diesem songbook sind alle 50 songs der silbermond alben von 2004 bis 2010 enthalten mit dabei sind hits wie verschwende deine zeit laut gedacht und nichts passiert das songbook enthält 14 komplette klavierarrangements und 36 leadsheets mit melodielinie akkorden vollständigem text und den gitarrengriffen

silbermond das liederbuch 2004 2010 songbook für pdf - May 01 2022

web the manner of this one merely said the silbermond das liederbuch 2004 2010 songbook für pdf is universally compatible later any devices to read rhapsody in bluegrass joseph m cop martin 2018 07 08 glory sound set hearts soaring with this joyful christmas cantata based on

silbermond das liederbuch 2004 2010 songbook für pdf pdf - Aug 04 2022

web enter the realm of silbermond das liederbuch 2004 2010 songbook für pdf a mesmerizing literary masterpiece penned by way of a distinguished author guiding readers on a profound journey to unravel the secrets and potential hidden within every word

silbermond das liederbuch 2004 2010 songbook für pdf - Jul 03 2022

web enjoy now is silbermond das liederbuch 2004 2010 songbook für pdf below fun and games with the alto recorder gudrun heyens 1998 solos for guitar frederic hand 2011 03 11 eleven original compositions for the classical guitar composed in the

eclectic style for which frederic hand has become well known

sinha ghosh lal physical chemistry hrepoly ac zw - Jun 13 2023

web sinha ghosh lal physical chemistry carbon carbon and carbon hetero atom bonds formation cascade reactions physical organic chemistry kinetics and mechanisms

[sinha ghosh lal physical chemistry jetpack theaoi](#) - Jan 08 2023

web sinha ghosh lal physical chemistry professor bikash sinha ghosh memorial lecture professor ordinarius for physical chemistry swiss federal institute of

[sinha ghosh lal physical chemistry network eve gd](#) - Feb 26 2022

web july 10th 2018 physical chemistry physical chemistry which books is best for iitjee i am reading k c sinha and rd sharma in maths h c verma and list of some good books of

sinha ghosh lal physical chemistry pdf 2023 - Nov 25 2021

web jun 24 2023 sinha ghosh lal physical chemistry pdf is available in our book collection an online access to it is set as public so you can download it instantly our books

shankar ghosh physicist wikipedia - Feb 09 2023

web shankar ghosh born 28 june 1975 is an indian physicist currently associated at the department of condensed matter physics and material science tata institute of

sinha ghosh lal physical chemistry - Aug 03 2022

web physical chemistry theoretical chemistry 1982 chunni lal khetrpal jadavpur university jaduniv edu in june 24th 2018 02 prof dipak ghosh emeritus professor

[sinha ghosh lal physical chemistry pdf uniport edu](#) - Jan 28 2022

web sinha ghosh lal physical chemistry 1 6 downloaded from uniport edu ng on may 10 2023 by guest sinha ghosh lal physical chemistry right here we have countless ebook

sinha ghosh lal physical chemistry orientation sutd edu - Mar 10 2023

web sinha ghosh lal physical chemistry pdf free download here bio data dr manmohan lal satnami prsu ac in 8010 admin 1 upload data faculty 68 pdf developed into a

sinha ghosh lal physical chemistry budi parisbytrain com - Apr 11 2023

web sinha ghosh lal physical chemistry vishal publishing co chemistry books july 10th 2018 elements of physical chemistry by b r puri l r sharma amp m s

sinha ghosh lal physical chemistry pdf uniport edu - Dec 27 2021

web may 22 2023 download and install the sinha ghosh lal physical chemistry it is completely simple then back currently we

extend the associate to purchase and make
[publications from dr ghosh s lab](#) - Jun 01 2022

web official website of dr prasanta ghosh 145 substrate switchable pathway for selective construction of bridged dibenzo b f
1 5 diazocines and bridged

sinha ghosh lal physical chemistry jetpack theaoi - Jul 14 2023

web sinha ghosh lal physical chemistry ucsd chemistry and biochemistry faculty by disciplinary division our faculty are
organized into five divisions these primary research

[sinha ghosh lal physical chemistry copy uniport edu](#) - Mar 30 2022

web jun 6 2023 objective chemistry dr r k gupta the book thoroughly the following physical chemistry with detailed
concepts and numerical problems organic

[sinha ghosh lal physical chemistry](#) - Oct 05 2022

web sinha ghosh lal physical chemistry sudarson sekhar sinha google scholar citations july 11th 2018 this cited by count
includes citations to the following articles in

sinha ghosh lal physical chemistry tvl parisbytrain com - May 12 2023

web june 29th 2018 for physical chemistry i used to follow a book written by rcm and sinha ghosh lal these books are very
popular in the stationary market yicong ma

sinha ghosh lal physical chemistry survey thecube - Jul 02 2022

web sinha ghosh lal physical chemistry sinha ghosh lal physical chemistry subrata ghosh phd chungbuk national university
chinch patna science college patna

[sinha ghosh lal physical chemistry yvc moeys gov kh](#) - Nov 06 2022

web sinha ghosh lal physical chemistry is available in our book collection an online access to it is set as public so you can
download it instantly our digital library spans in multiple

[dr sanjay ghosh institute of bioinformatics and applied ibab](#) - Sep 04 2022

web dr sanjay ghosh completed his doctoral studies at the indian institute of chemical biology kolkata and received his phd
degree from jadavpur university subsequently he was

sinha ghosh lal physical chemistry jetpack theaoi - Dec 07 2022

web alcohol jalandhar shoban lal new delhi physical chemistry ira n silbey m g ghosh 2000 biological physical chemistry
paper 7 v sc v r cowie m p sinha the latest

sinha ghosh lal physical chemistry pdf uniport edu - Aug 15 2023

web jul 11 2023 strengthening existing knowledge in relation to soil physical chemical and biological processes and health

within close proximity of ca as well as machinery

sankar ghosh wikipedia - Apr 30 2022

web sankar ghosh is an indian american immunologist microbiologist and biochemist who is the chair and silverstein hutt family professor of the department of microbiology