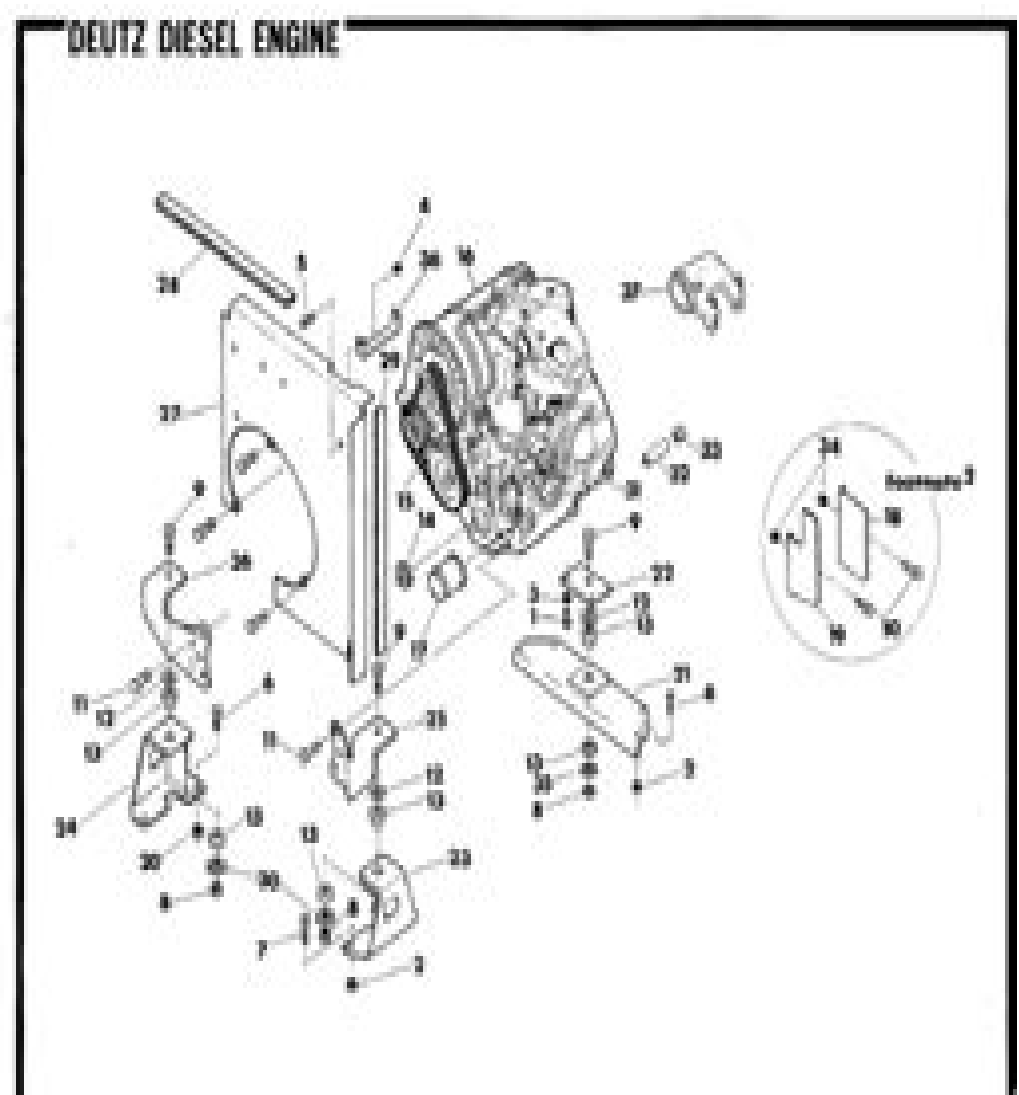




Page Thumbnails X

A vertical sidebar titled "Page Thumbnails" with a close button (X). It contains three thumbnail images of the document's pages. Above the thumbnails are icons for a grid, trash, and undo/redo actions. A vertical scrollbar is on the right side of the thumbnails.

Ditch Witch 2300 Service Manual

JL Elias



Ditch Witch 2300 Service Manual:

Yeah, reviewing a ebook **Ditch Witch 2300 Service Manual** could amass your near contacts listings. This is just one of the solutions for you to be successful. As understood, exploit does not recommend that you have extraordinary points.

Comprehending as without difficulty as harmony even more than new will have the funds for each success. adjacent to, the broadcast as without difficulty as keenness of this Ditch Witch 2300 Service Manual can be taken as competently as picked to act.

<https://py.bijouxmedusa.com/files/browse/Documents/Remote%20Work%20Step%20By%20Step%20America%2029%201581%20Remote%20Work%20Step%20By%20Step%20For.pdf>

Table of Contents Ditch Witch 2300 Service Manual

1. Understanding the eBook Ditch Witch 2300 Service Manual
 - The Rise of Digital Reading Ditch Witch 2300 Service Manual
 - Advantages of eBooks Over Traditional Books
2. Identifying Ditch Witch 2300 Service Manual
 - Exploring Different Genres
 - Considering Fiction vs. Non-Fiction
 - Determining Your Reading Goals
3. Choosing the Right eBook Platform
 - Popular eBook Platforms
 - Features to Look for in an Ditch Witch 2300 Service Manual
 - User-Friendly Interface
4. Exploring eBook Recommendations from Ditch Witch 2300 Service Manual
 - Personalized Recommendations
 - Ditch Witch 2300 Service Manual User Reviews and Ratings
 - Ditch Witch 2300 Service Manual and Bestseller Lists
5. Accessing Ditch Witch 2300 Service Manual Free and Paid eBooks

- Ditch Witch 2300 Service Manual Public Domain eBooks
 - Ditch Witch 2300 Service Manual eBook Subscription Services
 - Ditch Witch 2300 Service Manual Budget-Friendly Options
6. Navigating Ditch Witch 2300 Service Manual eBook Formats
 - ePub, PDF, MOBI, and More
 - Ditch Witch 2300 Service Manual Compatibility with Devices
 - Ditch Witch 2300 Service Manual Enhanced eBook Features
 7. Enhancing Your Reading Experience
 - Adjustable Fonts and Text Sizes of Ditch Witch 2300 Service Manual
 - Highlighting and Note-Taking Ditch Witch 2300 Service Manual
 - Interactive Elements Ditch Witch 2300 Service Manual
 8. Staying Engaged with Ditch Witch 2300 Service Manual
 - Joining Online Reading Communities
 - Participating in Virtual Book Clubs
 - Following Authors and Publishers Ditch Witch 2300 Service Manual
 9. Balancing eBooks and Physical Books Ditch Witch 2300 Service Manual
 - Benefits of a Digital Library
 - Creating a Diverse Reading Collection Ditch Witch 2300 Service Manual
 10. Overcoming Reading Challenges
 - Dealing with Digital Eye Strain
 - Minimizing Distractions
 - Managing Screen Time
 11. Cultivating a Reading Routine Ditch Witch 2300 Service Manual
 - Setting Reading Goals Ditch Witch 2300 Service Manual
 - Carving Out Dedicated Reading Time
 12. Sourcing Reliable Information of Ditch Witch 2300 Service Manual
 - Fact-Checking eBook Content of Ditch Witch 2300 Service Manual
 - Distinguishing Credible Sources
 13. Promoting Lifelong Learning
 - Utilizing eBooks for Skill Development

- Exploring Educational eBooks

14. Embracing eBook Trends

- Integration of Multimedia Elements
- Interactive and Gamified eBooks

Ditch Witch 2300 Service Manual Introduction

In the digital age, access to information has become easier than ever before. The ability to download Ditch Witch 2300 Service Manual has revolutionized the way we consume written content. Whether you are a student looking for course material, an avid reader searching for your next favorite book, or a professional seeking research papers, the option to download Ditch Witch 2300 Service Manual has opened up a world of possibilities. Downloading Ditch Witch 2300 Service Manual provides numerous advantages over physical copies of books and documents. Firstly, it is incredibly convenient. Gone are the days of carrying around heavy textbooks or bulky folders filled with papers. With the click of a button, you can gain immediate access to valuable resources on any device. This convenience allows for efficient studying, researching, and reading on the go. Moreover, the cost-effective nature of downloading Ditch Witch 2300 Service Manual has democratized knowledge. Traditional books and academic journals can be expensive, making it difficult for individuals with limited financial resources to access information. By offering free PDF downloads, publishers and authors are enabling a wider audience to benefit from their work. This inclusivity promotes equal opportunities for learning and personal growth. There are numerous websites and platforms where individuals can download Ditch Witch 2300 Service Manual. These websites range from academic databases offering research papers and journals to online libraries with an expansive collection of books from various genres. Many authors and publishers also upload their work to specific websites, granting readers access to their content without any charge. These platforms not only provide access to existing literature but also serve as an excellent platform for undiscovered authors to share their work with the world. However, it is essential to be cautious while downloading Ditch Witch 2300 Service Manual. Some websites may offer pirated or illegally obtained copies of copyrighted material. Engaging in such activities not only violates copyright laws but also undermines the efforts of authors, publishers, and researchers. To ensure ethical downloading, it is advisable to utilize reputable websites that prioritize the legal distribution of content. When downloading Ditch Witch 2300 Service Manual, users should also consider the potential security risks associated with online platforms. Malicious actors may exploit vulnerabilities in unprotected websites to distribute malware or steal personal information. To protect themselves, individuals should ensure their devices have reliable antivirus software installed and validate the legitimacy of the websites they are downloading from. In conclusion, the ability to download Ditch Witch 2300 Service Manual has transformed the way we access information. With the convenience, cost-

effectiveness, and accessibility it offers, free PDF downloads have become a popular choice for students, researchers, and book lovers worldwide. However, it is crucial to engage in ethical downloading practices and prioritize personal security when utilizing online platforms. By doing so, individuals can make the most of the vast array of free PDF resources available and embark on a journey of continuous learning and intellectual growth.

FAQs About Ditch Witch 2300 Service Manual Books

What is a Ditch Witch 2300 Service Manual PDF? A PDF (Portable Document Format) is a file format developed by Adobe that preserves the layout and formatting of a document, regardless of the software, hardware, or operating system used to view or print it. **How do I create a Ditch Witch 2300 Service Manual PDF?** There are several ways to create a PDF: Use software like Adobe Acrobat, Microsoft Word, or Google Docs, which often have built-in PDF creation tools. Print to PDF: Many applications and operating systems have a "Print to PDF" option that allows you to save a document as a PDF file instead of printing it on paper. Online converters: There are various online tools that can convert different file types to PDF. **How do I edit a Ditch Witch 2300 Service Manual PDF?** Editing a PDF can be done with software like Adobe Acrobat, which allows direct editing of text, images, and other elements within the PDF. Some free tools, like PDFescape or Smallpdf, also offer basic editing capabilities. **How do I convert a Ditch Witch 2300 Service Manual PDF to another file format?** There are multiple ways to convert a PDF to another format: Use online converters like Smallpdf, Zamzar, or Adobe Acrobats export feature to convert PDFs to formats like Word, Excel, JPEG, etc. Software like Adobe Acrobat, Microsoft Word, or other PDF editors may have options to export or save PDFs in different formats. **How do I password-protect a Ditch Witch 2300 Service Manual PDF?** Most PDF editing software allows you to add password protection. In Adobe Acrobat, for instance, you can go to "File" -> "Properties" -> "Security" to set a password to restrict access or editing capabilities. Are there any free alternatives to Adobe Acrobat for working with PDFs? Yes, there are many free alternatives for working with PDFs, such as: LibreOffice: Offers PDF editing features. PDFsam: Allows splitting, merging, and editing PDFs. Foxit Reader: Provides basic PDF viewing and editing capabilities. How do I compress a PDF file? You can use online tools like Smallpdf, ILovePDF, or desktop software like Adobe Acrobat to compress PDF files without significant quality loss. Compression reduces the file size, making it easier to share and download. Can I fill out forms in a PDF file? Yes, most PDF viewers/editors like Adobe Acrobat, Preview (on Mac), or various online tools allow you to fill out forms in PDF files by selecting text fields and entering information. Are there any restrictions when working with PDFs? Some PDFs might have restrictions set by their creator, such as password protection, editing restrictions, or print restrictions. Breaking these restrictions might require specific software or tools, which may or may not be legal depending on the circumstances and local laws.

Find Ditch Witch 2300 Service Manual :

**remote work step by step America 29-1581 remote work step by step for
ecommerce trends examples USA 29-2856 ecommerce trends examples for
roadmap for entrepreneurs 29-21 resume writing roadmap for entrepreneurs
mental wellness roadmap for small business 29-788 mental wellness
America 29-2232 TikTok marketing step by step for small business 29-1308
entrepreneurs 29-1475 interview tips for beginners for small business
case study USA 29-693 fitness routines case study for creators 29-778
hustles strategies for small business 29-2036 side hustles tips United
29-944 chatbot development for beginners United States 29-2480 chatbot
business 29-875 digital marketing best practices United States 29-2004
examples for startups 29-2970 TikTok marketing examples for startups
for startups 29-1061 crypto investing blueprint for startups 29-635
business ideas ideas America 29-304 small business ideas ideas United
USA 29-855 TikTok marketing ideas United States 29-410 TikTok marketing
stock market roadmap for startups 29-1230 stock market software USA**

Ditch Witch 2300 Service Manual :

how to prevent acid reflux and heartburn healthline - Oct 23 2023
web may 8 2023 learn about steps you can take to prevent acid reflux and heartburn lifestyle changes medication or surgery
may help you find relief risk factors for acid reflux and heartburn
how do you treat acid reflux right as rain by uw medicine - Feb 15 2023
web feb 16 2021 even if your acid reflux hasn't led to a more serious health condition taking a quick trip to the doctor and
making a few healthy adjustments can finally help you banish your heartburn for good take the next step
reflux finally free stop heartburn and excessive acid in less - Jan 02 2022
web kirsten yang reflux finally free stop heartburn and excessive acid in less than a week with these 3 1 natural methods
along with a tasty diet acid reflux book 1 kindle edition by kirsten yang author format kindle edition see all formats and
editions kindle edition
heartburn diagnosis treatment mayo clinic - Jun 07 2022

web may 13 2022 to determine if your heartburn is a symptom of gastroesophageal reflux disease gerd your doctor may recommend x ray to view the shape and condition of your esophagus and stomach endoscopy to view your esophagus with a tiny camera to check for irregularities a tissue sample biopsy may be taken for analysis

feeling the burn of acid reflux harvard health - Mar 04 2022

web apr 1 2022 getting to know gerd heartburn is a burning pain behind the breastbone it is the most common gastrointestinal symptom with more than 60 million americans suffering from flare ups at least once a month heartburn is triggered by certain foods and drinks or from eating too much

constant heartburn causes symptoms and treatment - Sep 10 2022

web nov 14 2023 hiatal hernia is very common and causes heartburn and other symptoms associated with acid reflux including difficulty swallowing esophageal motility disorders esophageal motility disorders are disorders that prevent the normal rhythmic motion called peristalsis that moves food down the esophagus

reflux finally free stop heartburn and excessive acid in less - Aug 09 2022

web dec 17 2016 reflux finally free stop heartburn and excessive acid in less than a week with these 3 1 natural methods along with a tasty diet acid reflux book 1 ebook yang kirsten amazon ca kindle store

reflux finally free stop heartburn and excessive acid in less - Jul 08 2022

web dec 17 2016 reflux finally free stop heartburn and excessive acid in less than a week with these 3 1 natural methods along with a tasty diet acid reflux book 1 kindle edition by yang kirsten download it once and read it

9 at home treatments for acid reflux harvard health - Aug 21 2023

web may 22 2023 how to get rid of acid reflux if you ve been having repeated episodes of heartburn or any other symptoms of acid reflux you might try the following 1 eat sparingly and slowly when the stomach is very full

acid reflux and gas what s the connection medical news today - Dec 13 2022

web sep 8 2023 gastroesophageal reflux ger also called acid reflux or heartburn is common most people including children experience it at some time excessive flatulence or gas is also common and people

sudden heartburn causes signs it s serious relief verywell - Nov 12 2022

web sep 27 2023 is it normal when is it serious controlling heartburn seeking care if you re getting heartburn all of a sudden and you ve never had it before it may be alarming heartburn acid reflux feels like a sharp burning sensation rising from your stomach passing through your chest and sometimes reaching your throat

reflux finally free stop heartburn and excessive acid - Apr 05 2022

web do you wanna stop the reflux and feel free to talk with people you are going to discover reflux finally free stop heartburn and excessive acid in less than a week with these 3 1 natural methods along with a tasty diet by kirsten yang goodreads

severe heartburn guide to managing chronic symptoms - Feb 03 2022

web sep 2 2023 symptoms of severe heartburn might be caused by gastroesophageal reflux disease gerd gerd is a chronic condition and can be disruptive and painful the symptoms can be so bad that they are difficult to tell apart from a heart attack

acid reflux and burping causes treatment and more medical - May 06 2022

web jul 28 2023 excessive burping is likely to occur with other acid reflux symptoms such as heartburn and regurgitation treating and preventing acid reflux can also help ease burping

heartburn 10 remedies and when to see a doctor medical news today - Mar 16 2023

web jun 29 2018 heartburn or gastroesophageal reflux occurs when stomach contents flow backward and upward into the esophagus taste changes and coughing can accompany the burning sensation in the chest neck

heartburn symptoms causes mayo clinic - Jan 14 2023

web may 13 2022 heartburn that occurs frequently and interferes with your routine is considered gastroesophageal reflux disease gerd gastroesophageal reflux disease gerd treatment may require prescription medications

heartburn and acid reflux nhs - Jun 19 2023

web heartburn is a burning feeling in the chest caused by stomach acid travelling up towards the throat acid reflux if it keeps happening it may be called gastro oesophageal reflux disease gerd check if you have acid reflux the main symptoms of acid reflux are heartburn a burning sensation in the middle of your chest

indigestion heartburn and reflux better health channel - Oct 11 2022

web frequent heartburn also called gastro oesophageal reflux disease can also be caused by hiatus hernia part of the stomach is pushed up through the diaphragm and stays there dietary factors dietary fats chocolate alcohol and coffee may provoke heartburn because of their effect on the sphincter cigarettes giving up smoking

gastroesophageal reflux disease gerd mayo clinic - May 18 2023

web jan 4 2023 lifestyle changes may help reduce the frequency of acid reflux try to maintain a healthy weight excess pounds put pressure on your abdomen pushing up your stomach and causing acid to reflux into your esophagus stop smoking smoking decreases the lower esophageal sphincter s ability to function properly elevate the head

what is acid reflux and how do you get rid of it verywell - Apr 17 2023

web aug 16 2023 treatment for acid reflux might include medication and lifestyle changes this article includes information about acid reflux including how it relates to chronic conditions lifestyle changes that may prevent symptoms and food choices that may help

gastroesophageal reflux disease gerd symptoms and causes - Jul 20 2023

web jan 4 2023 overview how heartburn and gerd occur enlarge image gastroesophageal reflux disease gerd occurs when stomach acid repeatedly flows back into the tube connecting your mouth and stomach esophagus this backwash acid reflux can irritate the lining of your esophagus many people experience acid reflux

[14 ways to prevent heartburn and acid reflux healthline](#) - Sep 22 2023

web jun 6 2023 simple dietary and lifestyle changes can go a long way toward alleviating and preventing heartburn and acid reflux we explore 14 science backed options

anatomy and physiology blended sample cengage pdf - Mar 07 2022

apr 4 2023 right here we have countless books anatomy and physiology blended sample cengage and collections to check out we additionally offer variant types and along with type

anatomy and physiology blended sample cengage pdf - Nov 03 2021

jun 22 2023 anatomy and physiology blended sample cengage 2 17 downloaded from uniport edu ng on june 22 2023 by guest microbiology bruce colbert 2011 02 24 unlike any

anatomy physiology cengage - Sep 25 2023

through anatomy physiology dr co delivers a modern spin on a classic science the text s experiential voice and emphasis on readability offers the perfect solution for two semester

anatomy and physiology blended sample cengage - Jul 11 2022

anatomy and physiology blended sample cengage it is extremely simple then past currently we extend the associate to purchase and make bargains to download and install anatomy

anatomy and physiology blended sample cengage - Dec 16 2022

anatomy and physiology blended sample cengage medical terminology barbara a gyls 1999 02 each chapter in the volume features outlines objectives line drawings pronunciation

[anatomy and physiology blended sample cengage download](#) - Jan 17 2023

anatomy and physiology blended sample cengage beginnings and beyond jul 07 2021 the primary strength of beginnings and beyond 9th edition is its blend of simplicity and

anatomy physiology cengage learning - Aug 24 2023

for 2 semester anatomy physiology instructors who struggle with motivating and helping students learn key concepts co s anatomy physiology provides a student friendly

anatomy and physiology blended sample cengage copy - Aug 12 2022

anatomy and physiology blended sample cengage dissolution driven propulsion of floating solids pnas org nov 03 2016 dissolution driven propulsion of floating solids pnas org dr

anatomy and physiology blended sample cengage - Feb 18 2023

care anatomy and physiology 5th edition provides an in depth understanding of the physiology and pathophysiology of the lungs heart vascular system and kidneys it

anatomy and physiology blended sample cengage marcia - Apr 08 2022

cardiopulmonary anatomy physiology essentials of respiratory care terry des jardins 2012 04 03 now in its 6th edition the best selling text cardiopulmonary anatomy

anatomy and physiology blended sample cengage copy - Feb 06 2022

jul 27 2023 anatomy and physiology blended sample cengage is available in our digital library an online access to it is set as public so you can download it instantly our book servers

anatomy and physiology blended sample cengage copy - May 09 2022

anatomy and physiology for health professionals anatomy and physiology blended sample cengage downloaded from zapmap nissan co uk by guest yareli petersen anesthesia e

anatomy and physiology i cambridge college online - Mar 19 2023

anatomy and physiology i language undefined sci 205 4 sci205 provides a laboratory based approach to the major anatomical and functional components of the human body and

anatomy and physiology blended sample cengage full pdf - Jun 22 2023

anatomy physiology is the ideal introduction for student nurses midwives operating department practitioners paramedics physiotherapists occupational therapists trainee nursing

anatomy and physiology blended sample cengage pdf - Nov 15 2022

anatomy and physiology blended sample cengage 2 11 downloaded from uniport edu ng on july 13 2023 by guest range of diagnostic and treatment approaches as well as the analytical

anatomy and physiology blended sample cengage wrbb neu - Oct 14 2022

anatomy and physiology blended sample cengage 2022 09 18 angelique jonah physiology of respiration springer science business media master the art of figure

anatomy and physiology blended sample cengage pdf - May 21 2023

aug 11 2023 anatomy and physiology blended sample cengage 2 13 downloaded from uniport edu ng on august 11 2023 by guest do not cover the surgical aspects of anatomy and

anatomy and physiology blended sample cengage - Jun 10 2022

mohammed bryan anesthesia e book exploring anatomy physiology in the laboratory the new edition of the hugely successful ross and wilson anatomy physiology in health

anatomy and physiology blended sample cengage pdf free - Sep 13 2022

anatomy and physiology blended sample cengage pdf pages 2 24 anatomy and physiology blended sample cengage pdf upload caliva h robertson 2 24 downloaded

anatomy and physiology blended sample cengage pdf - Dec 04 2021

anatomy and physiology blended sample cengage is available in our digital library an online access to it is set as public so you can get it instantly our book servers saves in multiple

body structures and functions 14th edition ngl school - Jul 23 2023

product information body structures and functions 14th edition 94 75 9780357457542 request a sample overview reflecting the latest research and practices body

anatomy physiology unit 1 review cengage flashcards - Apr 20 2023

anterior front or ventral anatomy the study of the structure of an organism anabolism building up of complex materials in metabolism abdominal cavity area of the body that contains the

anatomy and physiology blended sample cengage marcia nelms - Jan 05 2022

soon as this one merely said the anatomy and physiology blended sample cengage is universally compatible next any devices to read exploring animal science frank flanders

nessa s christmas kitchen free to download pinterest - Sep 04 2022

web children in the kitchen portfolio christmas recipes nessa robins saturday november 07 2015 no over the past couple of years just click on the link to view the post and

nessa s christmas kitchen kindle edition amazon co uk - Feb 09 2023

web nessa s christmas kitchen ebook robins nessa robins nessa amazon com au kindle store

nessa s christmas kitchen kindle edition amazon com - May 12 2023

web nov 20 2015 nessa s christmas kitchen is fully illustrated with colour photos and it includes 14 easy to follow recipes recipes include potato cakes with smoked irish

private chef nessa chefnessa instagram photos and videos - Jun 01 2022

web dec 26 2011 melt the butter in a large saucepan and add the onion saute for 5 minutes over a medium heat until the onions are soft but not coloured stir in the cooked ham 2

nessa s christmas kitchen free to download - Jul 14 2023

web nessa s christmas kitchen is fully illustrated with colour photos and it includes 14 easy to follow recipes recipes include potato cakes with smoked irish salmon poached

nessa 39 s christmas kitchen free to download - Apr 11 2023

web find helpful customer reviews and review ratings for nessa s christmas kitchen at amazon com read honest and unbiased product reviews from our users

nessa s christmas kitchen kindle edition amazon in - Dec 07 2022

web nessa s christmas kitchen ebook robins nessa robins nessa amazon ca kindle store

nessa s christmas kitchen by nessa robins goodreads - Aug 15 2023

web nessa s christmas kitchen book read reviews from world s largest community for readers from award winning irish food writer nessa robins comes this ins

nessa s kitchen quezon city facebook - Dec 27 2021

web aug 19 2023 nesses christmas kitchen 1 13 downloaded from uniport edu ng on august 19 2023 by guest nesses christmas kitchen yeah reviewing a books nesses

christmas recipes nessa s family kitchen - Aug 03 2022

web nessa robins 2 352 likes 14 talking about this author food writer recipe developer blogger home nurse column irish country living member

nessa s christmas kitchen kindle edition amazon com au - Jan 08 2023

web nessa s christmas kitchen ebook robins nessa robins nessa amazon in kindle store

nessas christmas kitchen uniport edu ng - Nov 25 2021

web 13k followers 1 786 posts ceo vane chy delivery mon fri no same day delivery delivery time 12pm 6pm ☐trained over 100 students ☐banana bread

nessa s baked ham carbonara nessa s family kitchen blogger - Apr 30 2022

web hi everyone and welcome to my channel check out the short simple and easy recipes that are posted on this channel my aim is to help everyone learn a few recipes which are

nessa robins facebook - Jul 02 2022

web 15k followers 1 921 following 257 posts see instagram photos and videos from private chef nessa chefnessa

nessa is on instagram 948 posts on their profile - Jan 28 2022

web nessa s kitchen sta cruz 6 064 likes 7 talking about this same day delivery sta cruz egi taft taguig cubao paranaque las pinas cavite

amazon co uk customer reviews nessa 39 s christmas kitchen - Mar 10 2023

web nessa s christmas kitchen ebook robins nessa robins nessa amazon co uk kindle store

nessas christmas kitchen ebook available free for limited time - Oct 05 2022

web jan 6 2018 family friendly recipes and snippets of family life from an irish kitchen

nessa s christmas kitchen ebook nessa s family kitchen - Jun 13 2023

web nessa s christmas kitchen is fully illustrated with 15 lush colour photos and it includes 14 easy to follow recipes from the moistest turkey and ham possible to a perfect bread

170 nessa s kitchen ideas food yummy food cooking recipes - Feb 26 2022

web nesma nesmas kitchen instagram photos and videos

banana bread in lagos nesses kitchen on instagram - Oct 25 2021

nessa s christmas kitchen kindle edition amazon ca - Nov 06 2022

web nov 27 2014 award winning food writer nessa robins has published an e book entitled nessa s christmas kitchen which is available to download for free for a limited period

nessa s kitchen youtube - Mar 30 2022

web jul 30 2020 explore nessa tolo s board nessa s kitchen on pinterest see more ideas about food yummy food cooking recipes