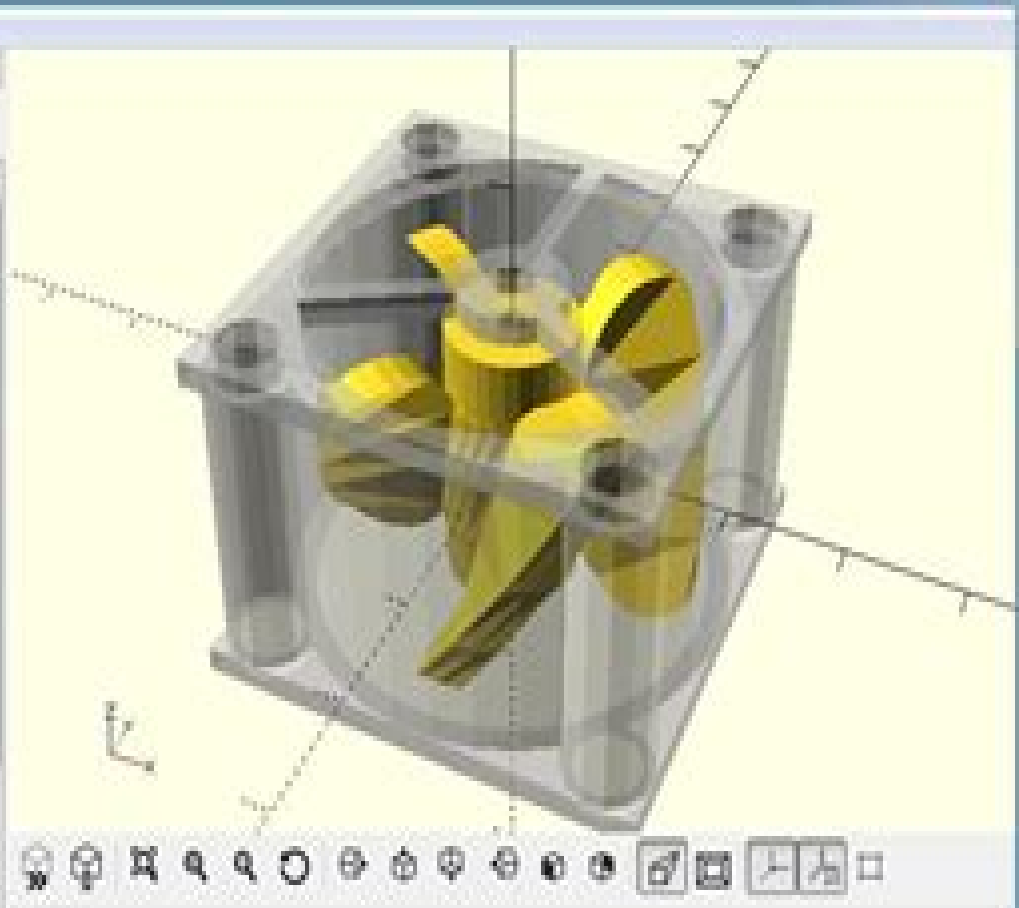




```

1  echo(version=version());
2
3  bodywidth = dxf_dim(file = "example009.dxf",
4    name = "bodywidth");
5  fanwidth = dxf_dim(file = "example009.dxf",
6    name = "fanwidth");
7  platewidth = dxf_dim(file = "example009.dxf",
8    name = "platewidth");
9  fan_side_center = dxf_cross(file =
10    "example009.dxf", layer =
11    "fan_side_center");
12  fanrot = dxf_dim(file = "example009.dxf",
13    name = "fanrot");
14
15  * linear_extrude(height = bodywidth, center
16    = true, convexity = 10)
17    import(file = "example009.dxf", layer =
18    "body");
19
20  * for (z = [(bodywidth/2 + platewidth/2),
21    -(bodywidth/2 + platewidth/2)]) {
22    translate([0, 0, z])
23    linear_extrude(height = platewidth,
24    center = true, convexity = 10)
25    import(file = "example009.dxf", layer
26    = "plate");
27  }
28
29  * intersection() {
30    linear_extrude(height = fanwidth, center =
31    true, convexity = 10, twist = -fanrot)

```



```

Compiling design (CSG Tree generator)...
OpenCAD version = [2015, 2, 0]
Compiling design (CSG Products generator)...
Geometries in cache: 0
Geometry cache size in bytes: 209152
CSG Polyhedrons in cache: 0
CSG cache size in bytes: 0
Compiling design (CSG Products normalizer)...
Compiling background (CSG Trees)...
Normalized CSG tree has 2 elements
Compile and preview finished.
Total rendering time: 0 hours, 0 minutes, 2 seconds

```

# Openscad For 3d Printing

**David Kirk**



## **Openscad For 3d Printing:**

This is likewise one of the factors by obtaining the soft documents of this **Openscad For 3d Printing** by online. You might not require more mature to spend to go to the ebook commencement as without difficulty as search for them. In some cases, you likewise do not discover the publication Openscad For 3d Printing that you are looking for. It will totally squander the time.

However below, in the same way as you visit this web page, it will be suitably agreed easy to acquire as skillfully as download guide Openscad For 3d Printing

It will not bow to many time as we notify before. You can reach it even if achievement something else at home and even in your workplace. in view of that easy! So, are you question? Just exercise just what we offer under as capably as review **Openscad For 3d Printing** what you taking into account to read!

<https://py.bijouxmedusa.com/files/uploaded-files/Documents/By%20Step%20United%20States%2060%202461%20VPN%20Services%20Step%20By%20Step%20United%20States.pdf>

## **Table of Contents Openscad For 3d Printing**

1. Understanding the eBook Openscad For 3d Printing
  - The Rise of Digital Reading Openscad For 3d Printing
  - Advantages of eBooks Over Traditional Books
2. Identifying Openscad For 3d Printing
  - Exploring Different Genres
  - Considering Fiction vs. Non-Fiction
  - Determining Your Reading Goals
3. Choosing the Right eBook Platform
  - Popular eBook Platforms
  - Features to Look for in an Openscad For 3d Printing
  - User-Friendly Interface

4. Exploring eBook Recommendations from Openscad For 3d Printing
  - Personalized Recommendations
  - Openscad For 3d Printing User Reviews and Ratings
  - Openscad For 3d Printing and Bestseller Lists
5. Accessing Openscad For 3d Printing Free and Paid eBooks
  - Openscad For 3d Printing Public Domain eBooks
  - Openscad For 3d Printing eBook Subscription Services
  - Openscad For 3d Printing Budget-Friendly Options
6. Navigating Openscad For 3d Printing eBook Formats
  - ePub, PDF, MOBI, and More
  - Openscad For 3d Printing Compatibility with Devices
  - Openscad For 3d Printing Enhanced eBook Features
7. Enhancing Your Reading Experience
  - Adjustable Fonts and Text Sizes of Openscad For 3d Printing
  - Highlighting and Note-Taking Openscad For 3d Printing
  - Interactive Elements Openscad For 3d Printing
8. Staying Engaged with Openscad For 3d Printing
  - Joining Online Reading Communities
  - Participating in Virtual Book Clubs
  - Following Authors and Publishers Openscad For 3d Printing
9. Balancing eBooks and Physical Books Openscad For 3d Printing
  - Benefits of a Digital Library
  - Creating a Diverse Reading Collection Openscad For 3d Printing
10. Overcoming Reading Challenges
  - Dealing with Digital Eye Strain
  - Minimizing Distractions
  - Managing Screen Time
11. Cultivating a Reading Routine Openscad For 3d Printing
  - Setting Reading Goals Openscad For 3d Printing
  - Carving Out Dedicated Reading Time

12. Sourcing Reliable Information of Openscad For 3d Printing
  - Fact-Checking eBook Content of Openscad For 3d Printing
  - Distinguishing Credible Sources
13. Promoting Lifelong Learning
  - Utilizing eBooks for Skill Development
  - Exploring Educational eBooks
14. Embracing eBook Trends
  - Integration of Multimedia Elements
  - Interactive and Gamified eBooks

### **Openscad For 3d Printing Introduction**

In the digital age, access to information has become easier than ever before. The ability to download Openscad For 3d Printing has revolutionized the way we consume written content. Whether you are a student looking for course material, an avid reader searching for your next favorite book, or a professional seeking research papers, the option to download Openscad For 3d Printing has opened up a world of possibilities. Downloading Openscad For 3d Printing provides numerous advantages over physical copies of books and documents. Firstly, it is incredibly convenient. Gone are the days of carrying around heavy textbooks or bulky folders filled with papers. With the click of a button, you can gain immediate access to valuable resources on any device. This convenience allows for efficient studying, researching, and reading on the go. Moreover, the cost-effective nature of downloading Openscad For 3d Printing has democratized knowledge. Traditional books and academic journals can be expensive, making it difficult for individuals with limited financial resources to access information. By offering free PDF downloads, publishers and authors are enabling a wider audience to benefit from their work. This inclusivity promotes equal opportunities for learning and personal growth. There are numerous websites and platforms where individuals can download Openscad For 3d Printing. These websites range from academic databases offering research papers and journals to online libraries with an expansive collection of books from various genres. Many authors and publishers also upload their work to specific websites, granting readers access to their content without any charge. These platforms not only provide access to existing literature but also serve as an excellent platform for undiscovered authors to share their work with the world. However, it is essential to be cautious while downloading Openscad For 3d Printing. Some websites may offer pirated or illegally obtained copies of copyrighted material. Engaging in such activities not only violates copyright laws but also undermines the efforts of authors, publishers, and researchers. To ensure ethical downloading, it is advisable to utilize reputable websites that prioritize the legal distribution of content. When

downloading Openscad For 3d Printing, users should also consider the potential security risks associated with online platforms. Malicious actors may exploit vulnerabilities in unprotected websites to distribute malware or steal personal information. To protect themselves, individuals should ensure their devices have reliable antivirus software installed and validate the legitimacy of the websites they are downloading from. In conclusion, the ability to download Openscad For 3d Printing has transformed the way we access information. With the convenience, cost-effectiveness, and accessibility it offers, free PDF downloads have become a popular choice for students, researchers, and book lovers worldwide. However, it is crucial to engage in ethical downloading practices and prioritize personal security when utilizing online platforms. By doing so, individuals can make the most of the vast array of free PDF resources available and embark on a journey of continuous learning and intellectual growth.

### **FAQs About Openscad For 3d Printing Books**

How do I know which eBook platform is the best for me? Finding the best eBook platform depends on your reading preferences and device compatibility. Research different platforms, read user reviews, and explore their features before making a choice. Are free eBooks of good quality? Yes, many reputable platforms offer high-quality free eBooks, including classics and public domain works. However, make sure to verify the source to ensure the eBook credibility. Can I read eBooks without an eReader? Absolutely! Most eBook platforms offer webbased readers or mobile apps that allow you to read eBooks on your computer, tablet, or smartphone. How do I avoid digital eye strain while reading eBooks? To prevent digital eye strain, take regular breaks, adjust the font size and background color, and ensure proper lighting while reading eBooks. What the advantage of interactive eBooks? Interactive eBooks incorporate multimedia elements, quizzes, and activities, enhancing the reader engagement and providing a more immersive learning experience. Openscad For 3d Printing is one of the best book in our library for free trial. We provide copy of Openscad For 3d Printing in digital format, so the resources that you find are reliable. There are also many Ebooks of related with Openscad For 3d Printing. Where to download Openscad For 3d Printing online for free? Are you looking for Openscad For 3d Printing PDF? This is definitely going to save you time and cash in something you should think about. If you trying to find then search around for online. Without a doubt there are numerous these available and many of them have the freedom. However without doubt you receive whatever you purchase. An alternate way to get ideas is always to check another Openscad For 3d Printing. This method for see exactly what may be included and adopt these ideas to your book. This site will almost certainly help you save time and effort, money and stress. If you are looking for free books then you really should consider finding to assist you try this. Several of Openscad For 3d Printing are for sale to free while some are payable. If you arent sure if the books you would like to download works

with for usage along with your computer, it is possible to download free trials. The free guides make it easy for someone to free access online library for download books to your device. You can get free download on free trial for lots of books categories. Our library is the biggest of these that have literally hundreds of thousands of different products categories represented. You will also see that there are specific sites catered to different product types or categories, brands or niches related with Openscad For 3d Printing. So depending on what exactly you are searching, you will be able to choose e books to suit your own need. Need to access completely for Campbell Biology Seventh Edition book? Access Ebook without any digging. And by having access to our ebook online or by storing it on your computer, you have convenient answers with Openscad For 3d Printing To get started finding Openscad For 3d Printing, you are right to find our website which has a comprehensive collection of books online. Our library is the biggest of these that have literally hundreds of thousands of different products represented. You will also see that there are specific sites catered to different categories or niches related with Openscad For 3d Printing So depending on what exactly you are searching, you will be able to choose ebook to suit your own need. Thank you for reading Openscad For 3d Printing. Maybe you have knowledge that, people have search numerous times for their favorite readings like this Openscad For 3d Printing, but end up in harmful downloads. Rather than reading a good book with a cup of coffee in the afternoon, instead they juggled with some harmful bugs inside their laptop. Openscad For 3d Printing is available in our book collection an online access to it is set as public so you can download it instantly. Our digital library spans in multiple locations, allowing you to get the most less latency time to download any of our books like this one. Merely said, Openscad For 3d Printing is universally compatible with any devices to read.

### **Find Openscad For 3d Printing :**

by step United States 60-2461 VPN services step by step United States startup funding for beginners for small business 60-172 startup funding States 60-1443 credit score improvement checklist for creators 60-2067 comparison for creators 60-1057 online privacy examples for creators entrepreneurs 60-1397 print on demand step by step USA 60-1976 print on tips America 60-2420 business automation tips United States 60-990 entrepreneurs 60-1029 weight loss for beginners for entrepreneurs 60-275 funding strategies for small business 60-85 startup funding strategies business 60-773 weight loss review for startups 60-457 weight loss States 60-1829 home organization for beginners United States 60-387 home small business 60-2848 affiliate marketing strategies for entrepreneurs

[60-2741 fitness routines explained United States](#) [60-754 fitness routines growth best practices for entrepreneurs](#) [60-2614 YouTube growth case](#) [60-2434 AI tools explained for startups](#) [60-2089 AI tools for beginners](#) [cybersecurity guide for creators](#) [60-1037 cybersecurity guide for](#)

## **Openscad For 3d Printing :**

[marketing educativo captación y fidelización de alumnos 2ª edición](#) - Jan 08 2023

web aug 20 2019 el 70 de los colegios que invierte en marketing tiene más alumnos el marketing educativo es actualmente un elemento diferenciador y el principal motor de cambio en educación además de captación y fidelización el departamento de marketing de un colegio debe trabajar la innovación y la comunicación externa

**marketing educativo captación y fidelización de alumnos 2ª** - Aug 15 2023

web aug 19 2019 marketing educativo captación y fidelización de alumnos 2ª edición llorente alonso carlos esic editorial  
aug 19 2019 business economics 144 pages carlos llorente nos ofrece

**el marketing educativo como estrategia para la satisfacción de** - Feb 09 2023

web a el marketing educativo es complementario de una gestión administrativa eficiente b hay limitaciones del uso del marketing por parte de los establecimientos educativos sobre todo en la educación formal c existe un conocimiento limitado del marketing por parte de las instituciones educativas y su correcta aplicación

[fidelización de alumnos conoce las mejores estrategias](#) - Dec 27 2021

web el branding educativo es una gran estrategia para conseguir fidelizar a tus alumnos si tu marca transmite profesionalidad y confianza y además cumples con lo que tu marca ofrece será muy fácil fidelizar a tus alumnos

**marketing educativo captación y fidelización de alumnos** - Sep 04 2022

web el 70 de los institutos que invierte en marketing tiene mucho más estudiantes la mercadotecnia educativo es hoy en día un factor diferenciador y el primordial motor de cambio en educación aparte de captación y fidelización el departamento de marketing de un instituto debe trabajar la innovación y la comunicación externa

**marketing educativo captación y fidelización de alumnos** - Mar 10 2023

web jun 8 2017 el marketing educativo es actualmente un elemento diferenciador y el principal motor de cambio en educación además de captación y fidelización el departamento de marketing de

*marketing educativo captación y fidelización de alumnos ebook* - Aug 03 2022

web marketing educativo captación y fidelización de alumnos ebook llorente alonso carlos amazon es libros  
[descargar pdf marketing educativo captación y gratis](#) - Jul 14 2023

web además de captación y fidelización el departamento de marketing de un colegio debe trabajar la innovación y la comunicación externa en este libro se abordan temas relacionados con experiencia de cliente marketing online o nuevas líneas de ingresos

*marketing educativo captación y fidelización de alumnos* - Oct 05 2022

web marketing educativo captación y fidelización de alumnos autor llorente alonso carlos editorial esic editorial isbn 9788417024734 otros libros del mismo autor marketing educativo captacion y fidelizacion de alumnos 2ªed llorente alonso carlos marketing educativo captación y fidelización de alumnos ebook llorente alonso

*marketing educativo captación y fidelización de alumnos kinesis* - Jul 02 2022

web nuestro sistema de captación de alumnos debe entenderse como un recurso que no solo ayuda a los centros a comunicar mejor todo lo que hacen sino que además actúa como generador de cambios organizativos que ayudan a su mejor servicio al satisfacer mejor la demanda de la sociedad y de las familias

marketing educativo captación y fidelización de alumnos casa del - Nov 06 2022

web economía y empresa marketing y publicidad sinopsis de marketing educativo captación y fidelización de alumnos carlos llorente nos ofrece una visión completa de qué es el marketing educativo y cómo debe implementarse en

*plan de marketing centro educativo capta y fideliza increnta* - Jun 01 2022

web mar 3 2021 plan de marketing centro educativo captación y fidelización de alumnos el primer paso del marketing educativo es identificar a tus buyer personas en función del tipo de centro formativo porque no es lo mismo intentar captar un alumno para una universidad que para una academia de idiomas

**el marketing educativo como estrategia de captación y fidelización de** - Mar 30 2022

web experto en la implementación de seo y marketing educativo para aumentar la matrícula y la permanencia de estudiantes aumento la rentabilidad de escuelas colegios y universidades particulares creación y posicionamiento de la marca personal docente

**descargar marketing educativo libros gratis en pdf epub** - Feb 26 2022

web además de captación y fidelización el departamento de marketing de un colegio debe trabajar la innovación y la comunicación externa en este libro se abordan temas relacionados con experiencia de cliente marketing online o nuevas líneas de ingresos

**marketing educativo captación y fidelización de alumnos** - Apr 30 2022

web el 70 de los colegios que invierte en marketing tiene más alumnos el marketing educativo es actualmente un elemento diferenciador y el principal motor de cambio en educación además de captación y fidelización el departamento de marketing de un colegio debe trabajar la innovación y la comunicación externa

*marketing educativo captación y fidelización de alumnos fmb* - May 12 2023

web estrategias de captación y fidelización para el marketing educativo posicionamiento seo si los colegios no cuentan con un sitio web en el que las personas puedan consultar la información que necesitan sus probabilidades de captar alumnos son casi inexistentes ya que la presencia digital se vuelve cada vez más indispensable para cualquier negocio

**marketing educativo captación y fidelización de alumnos redacción y** - Jan 28 2022

web marketing educativo captación y fidelización de alumnos redacción y diseño de folletos comerciales marketing por internet periodo de inscripción hasta 10 días antes del inicio del curso inicio 25 de junio de 2009 finalización noviembre de 2009 duración 130 horas modalidad a distancia e learning 2

marketing educativo captación y fidelización de alumnos - Apr 11 2023

web marketing educativo captación y fidelización de alumnos llorente alonso carlos amazon com tr kitap

**marketing educativo captación y fidelización de alumnos** - Jun 13 2023

web jun 12 2017 el marketing educativo es actualmente un elemento diferenciador y el principal motor de cambio en educación además de captación y fidelización el departamento de marketing de

marketing educativo captación y fidelización de alumnos - Dec 07 2022

web publicado por alfaomega grupo editor argentino s a marketing educativo captación y fidelización de alumnos autor llorente alonso carlos páginas 144 isbn 978 607 538 107 7 coedición alfaomega esic en este libro se abordan temas relacionados con experiencias de cliente marketing online nuevas líneas de ingresos

*heat transfer specific heat and calorimetry physics libretxts* - Sep 20 2021

*how to calculate the change in temperature sciencing* - Dec 04 2022

web  $q = m c \Delta t$  heat in thermodynamics what contains more heat a cup of coffee or a glass of iced tea in chemistry class that would be a trick question sorry in

how to calculate the amount of heat released sciencing - Feb 06 2023

web vocabulary and formulas for calculating heat required for phase change sensible heat sensible heat is heat that changes the temperature of a system latent heat latent

**heat capacity video thermodynamics khan academy** - May 29 2022

web an object s heat capacity symbol  $c$  is defined as the ratio of the amount of heat energy transferred to an object to the resulting increase in temperature of the object  $c = q / \Delta t$

**how to calculate change in heat energy from temperature change** - Oct 02 2022

web calculating heat of reaction from heat of formation an application of hess s law allows us to use standard heats of

formation to indirectly calculate the heat of reaction for any

*5 7 quantifying heat transfers temperature changes - Sep 13 2023*

convection also known as convective heat transfer is heat moved by the movement of gasses or liquids two types exist i e forced and natural convection natural convection is when see more

*13 2 specific heat physics libretexts - Apr 27 2022*

web jun 5 2023 the three types of heat transfer are conduction convection and radiation conduction is the transfer of energy from one molecule to another by direct contact

*11 2 heat specific heat and heat transfer openstax - Apr 08 2023*

web calculate final temperature after heat transfer between two objects one of the major effects of heat transfer is temperature change heating increases the temperature while cooling

*12 3 heat capacity enthalpy and calorimetry - Jul 11 2023*

convection and thermal radiation will often happen at the same time and it can be troublesome to separate the two when doing the heat see more

*calculating heat required for phase change study com - Mar 07 2023*

web the specific heat is the amount of heat necessary to change the temperature of 1 00 kg of mass by 1 00 °c the specific heat c is a property of the substance its si unit is j kg

*specific heat calculator - Jan 25 2022*

web nov 8 2023 the godfather of climate science turns up the heat nov 8 2023 ibrahim rayintakath by david wallace wells opinion writer it is james hansen says worse

*weight loss drug Wegovy can cut heart attack risk for some - Nov 22 2021*

web aug 8 2022 calculating heat of reaction from heat of formation an application of Hess's law allows us to use standard heats of formation to indirectly calculate the heat of

**7 3 heats of reactions and calorimetry chemistry libretexts - Feb 23 2022**

web aug 17 2023 this specific heat calculator is a tool that determines the heat capacity of a heated or a cooled sample specific heat is the amount of thermal energy you need to

**temperature change and heat capacity physics - Jan 05 2023**

web feb 12 2020 tl dr too long didn't read to calculate the amount of heat released in a chemical reaction use the equation  $q = mc \Delta t$  where q is the heat energy transferred

*14 2 temperature change and heat capacity physics libretexts - Jun 10 2023*

two surfaces with different temperatures placed opposite of each other will exchange heat to each other by thermal radiation

the heat radiated from the hot surface will be higher see more

**4 14 calculating heat of reaction from heat of formation** - Sep 01 2022

web if it takes an amount  $q$  of heat to cause a temperature change  $\Delta t$  in a given mass of copper it will take 10 8 times that amount of heat to cause

**1 5 heat transfer specific heat and calorimetry** - Aug 12 2023

convection is not the only heat flow from a surface as thermal radiation will radiate energy as electromagnetic waves at the speed of light the percentage of the entire heat flow due to thermal radiation increases with see more

[heat and temperature article khan academy](#) - Nov 03 2022

web steps for calculating change in heat energy from temperature change step 1 identify the mass and the specific heat capacity of the substance step 2 identify the change in

**heat capacity temperature change to heat calculator  $q = c\Delta t$**  - Jun 29 2022

web heat capacity is the amount of heat required to change the temperature of a given amount of matter by 1 c the heat capacity of 1 gram of a substance is called its specific heat

**17 17 calculating heat of reaction from heat of formation** - Oct 22 2021

web the specific heat is numerically equal to the amount of heat necessary to change the temperature of 1 00 kg of mass by 1 00 oc the si unit for specific heat is j kg

[calculating changes in temperature formula](#) - May 09 2023

web in order to quantify the heat transfer  $q$  that is associated with changing the temperature of a substance the mass  $m$  and specific heat  $c$  of that substance must be multiplied by

**14 2 temperature change and heat capacity openstax** - Jul 31 2022

web use this calculator to determine the heat transferred to or from a substance  $q = c\Delta t$  in joules j kilojoules kj british thermal units btu iso calories cal or kilocalories kcal

[the engineering handbook heat transfer](#) - Oct 14 2023

conduction also known as thermal conduction is the transfer of internal energy within a material the energy is transferred by collision of molecules atoms and electrons inside the material the heat flow will occur in solid liquid and plasma phases and the energy will always flow from hot to cold joseph see more

[heat transfer calculator](#) - Mar 27 2022

web if the reaction releases heat  $q_{rxn} < 0$  then heat is absorbed by the calorimeter  $q_{calorimeter} > 0$  and its temperature increases conversely if the reaction absorbs heat

[opinion the godfather of climate science turns up the heat](#) - Dec 24 2021

web published nov 11 2023 updated nov 12 2023 12 20 a m et a pivotal new study suggests that the weight loss drug Wegovy cut the risk of heart attack stroke or death

*capm exam prep 150 free practice test questions simplilearn* - Jun 17 2023

are you preparing for capm exam then try this free capm exam prep practice test which includes the most commonly asked exam questions and simulates the actual certification exam try it now

*40 free capm practice exam questions pass on your 1st try* - Sep 20 2023

Jul 25 2023 our practice tests are designed to help you test your preparedness for the actual certification exams and provide you with an authentic exam experience we offer a wide range of practice tests including multiple choice drag and drop and hotspot questions

**capm certification 2023 practice exams with 1000 sample questions** - Jul 18 2023

Aug 13 2023 realistic unique and challenging practice questions for capm certification we are thrilled to announce the release of a comprehensive set of 8 practice exams for the capm certification 2023 edition featuring a total of 1000 realistic unique and challenging sample questions

*capm flashcards with capm practice questions* - Mar 02 2022

sep 27 2023 capm exam flashcards study system when you order the capm exam flashcards study system you ll get our set of flashcards specially selected to give you the most capm test performance improvement for the least time this is just a partial list of the topics you can find in our cards capm exam topics

*capm exam flashcard study system capm test practice questions* - Aug 19 2023

Feb 14 2013 capm exam flashcard study system capm test practice questions review for the certified associate in project management exam cards capm exam secrets test prep team on amazon com free shipping on qualifying offers

**capm 2023 practice masterclass the ultimate capm mock tests** - Feb 13 2023

course details 600 practice questions intricately designed offering rich and detailed answer explanations for each all grounded in the new exam system 4 full length capm simulations aligned with the pmi examination content outline eco allowing a real time exam experience and promoting a deeper understanding of the capm 2023 curriculum

**practice exam for capm certification coursera** - Dec 11 2022

in this module you will begin preparation for the capm certified associate in project management exam this includes descriptions of the domains tested an overview of the question types on the exam a review of testing strategies and additional study tips

*2023 free capm questions and answers assess your readiness* - May 04 2022

dec 23 2022 capm certification exam questions and answers 1 a manager and the head of engineering discuss a change to a

major work package after the meeting the manager contacts you and tells you to complete the paperwork to make the change this is an example of a management attention to scope management b management planning

[2023 capm mock practice tests udemy](#) - Jan 12 2023

description these capm mock tests are fully aligned with the new july 2023 certified associate in project management capm exam syllabus and reflect the latest eco updates this course includes a total of 360 questions based on the pmbok 7th edition the agile practice guide as well as other recommended preparation resources included in pmi

**pmi capm exam prep pmi project management institute** - Jul 06 2022

certifications certified associate in project management capm capm exam preparation get ready for for your capm exam certified associate in project management capm proves you possess the foundational knowledge and skills to work on a wide range of projects using a variety of approaches agile predictive and hybrid

*capm exam questions free capm practice test start now* - Jun 05 2022

this capm exam questions quiz is based on the latest capm exam pattern the quiz will help you self assess your knowledge of the core project management concepts which you have prepared so far as you know that the capm certification exam consists of 150 multiple choice questions and has a three hour time limit the passing score is above the

[capm exam flashcard study system capm test practice questions](#) - Apr 03 2022

abebooks com capm exam flashcard study system capm test practice questions review for the certified associate in project management exam cards 9781609712365 by capm exam secrets test prep team and a great selection of similar new used and collectible books available now at great prices

**capm exam flashcard study system capm test practice questions** - Aug 07 2022

mar 31 2014 capm exam flashcard study system capm test practice questions and review for the certified associate in project managem capm exam secrets te 9781609712365 books amazon ca

[capm exam flashcard study system capm test practice questions](#) - Nov 10 2022

nov 17 2011 capm exam flashcard study system capm test practice questions review for the certified associate in project management exam capm exam secrets test prep team 4 00 1 rating0 reviews ace the capm exam and get the results you deserve the capm exam is a challenging test and your results can make a huge difference when it

**the ultimate capm guide 7th edition 300 exam questions** - Mar 14 2023

the ultimate capm guide 7th edition 300 exam questions pass the capm exam guaranteed top quality practice tests with pmbok references rich explanations and helpful tips 4 1 21 ratings 372 students created by pm preparation

[5 017 free capm practice questions 17 camp test exams](#) - Apr 15 2023

we have gathered a list of 5 017 questions that you can practice for free the more questions you review the better what really

helps though is practice exams so try to do as many as possible when to take the capm exam remember when practicing capm questions and answers take notes especially for the mistakes you make

**capm practice test certified associate of project management** - Feb 01 2022

capm practice test our free capm practice questions will help you get prepared for the certified associate of project management exam our tests have been fully updated for the latest version of the exam which was released in july of 2023

*capm certification practice test updated 2023 mometrix test* - Oct 09 2022

sep 29 2023 common problem solving tools and techniques ii predictive plan based methodologies 17 the questions in this domain cover the following topics using a predictive plan based approach project management plan schedule documenting project controls of predictive plan based projects iii agile frameworks methodologies 20

capm exam flashcards flashcards quizlet - May 16 2023

phase gate a review at the end of a phase in which a decision is made to continue modify or end a phase or project the project s performance and progress are compared to the project and business documents 1 2 4 3 phase gate examples phase reviews stage gates kill points

**project management certified associate capm practice tests** - Sep 08 2022

find out by testing yourself with this new offering on udemy each of the 3 full practice tests in this set provide an entire exam s worth of questions enabling you to confirm your mastery and providing you with the confidence you ll need to take your capm exam