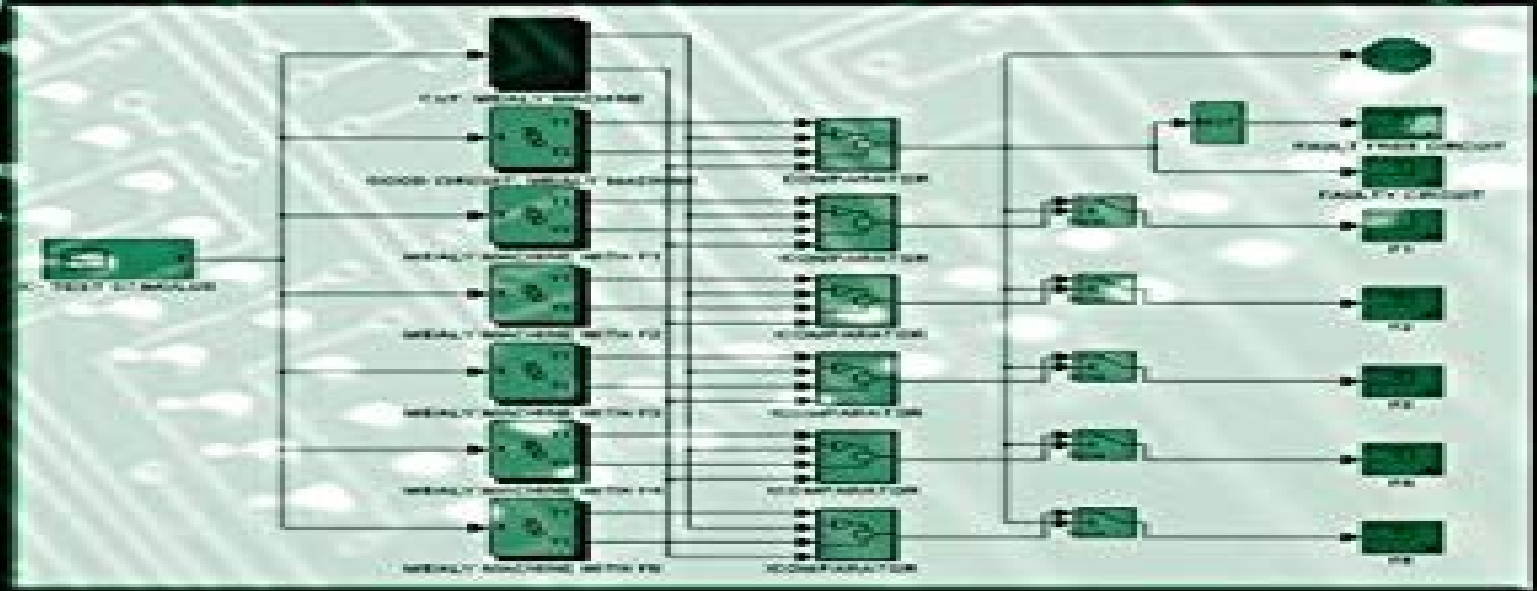


Digital Integrated Circuits

Design-for-Test Using Simulink® and Stateflow®



Digital Integrated Circuits Design For Test Using Simulink And Stateflow

G Orfield



Digital Integrated Circuits Design For Test Using Simulink And Stateflow:

Digital Integrated Circuits Evgeni Perelroyzen, 2018-10-03 A current trend in digital design the integration of the MATLAB components Simulink and Stateflow for model building simulations system testing and fault detection allows for better control over the design flow process and ultimately for better system results *Digital Integrated Circuits Design for Test Using Simulink and Stateflow* illustrates the construction of Simulink models for digital project test benches in certain design for test fields The first two chapters of the book describe the major tools used for design for test The author explains the process of Simulink model building presents the main library blocks of Simulink and examines the development of finite state machine modeling using Stateflow diagrams Subsequent chapters provide examples of Simulink modeling and simulation for the latest design for test fields including combinational and sequential circuits controllability and observability deterministic algorithms digital circuit dynamics timing verification built in self test BIST architecture scan cell operations and functional and diagnostic testing The book also discusses the automatic test pattern generation ATPG process the logical determinant theory and joint test action group JTAG interface models *Digital Integrated Circuits* explores the possibilities of MATLAB's tools in the development of application specific integrated circuit ASIC design systems The book shows how to incorporate Simulink and Stateflow into the process of modern digital design

Digital Integrated Circuits Evgeni

Perelroyzen, 2018-10-03 A current trend in digital design the integration of the MATLAB components Simulink and Stateflow for model building simulations system testing and fault detection allows for better control over the design flow process and ultimately for better system results *Digital Integrated Circuits Design for Test Using Simulink and Stateflow* illustrates the construction of Simulink models for digital project test benches in certain design for test fields The first two chapters of the book describe the major tools used for design for test The author explains the process of Simulink model building presents the main library blocks of Simulink and examines the development of finite state machine modeling using Stateflow diagrams Subsequent chapters provide examples of Simulink modeling and simulation for the latest design for test fields including combinational and sequential circuits controllability and observability deterministic algorithms digital circuit dynamics timing verification built in self test BIST architecture scan cell operations and functional and diagnostic testing The book also discusses the automatic test pattern generation ATPG process the logical determinant theory and joint test action group JTAG interface models *Digital Integrated Circuits* explores the possibilities of MATLAB's tools in the development of application specific integrated circuit ASIC design systems The book shows how to incorporate Simulink and Stateflow into the process of modern digital design

High Performance Architecture and Grid Computing Archana Mantri, Suman

Nandi, Gaurav Kumar, Sandeep Kumar, 2011-07-05 This book constitutes the refereed proceedings of the International Conference on High Performance Architecture and Grid Computing HPAGC 2011 held in Chandigarh India in July 2011 The 87 revised full papers presented were carefully reviewed and selected from 240 submissions The papers are organized in

topical sections on grid and cloud computing high performance architecture information management and network security

EDA for IC System Design, Verification, and Testing Louis Scheffer, Luciano Lavagno, Grant Martin, 2018-10-03

Presenting a comprehensive overview of the design automation algorithms tools and methodologies used to design integrated circuits the Electronic Design Automation for Integrated Circuits Handbook is available in two volumes The first volume EDA for IC System Design Verification and Testing thoroughly examines system level design microarchitectural design logical verification and testing Chapters contributed by leading experts authoritatively discuss processor modeling and design tools using performance metrics to select microprocessor cores for IC designs design and verification languages digital simulation hardware acceleration and emulation and much more Save on the complete set [Electronic Design Automation for IC](#)

[System Design, Verification, and Testing](#) Luciano Lavagno, Igor L. Markov, Grant Martin, Louis K. Scheffer, 2017-12-19 The first of two volumes in the Electronic Design Automation for Integrated Circuits Handbook Second Edition Electronic Design Automation for IC System Design Verification and Testing thoroughly examines system level design microarchitectural design logic verification and testing Chapters contributed by leading experts authoritatively discuss processor modeling and design tools using performance metrics to select microprocessor cores for integrated circuit IC designs design and verification languages digital simulation hardware acceleration and emulation and much more New to This Edition Major updates appearing in the initial phases of the design flow where the level of abstraction keeps rising to support more functionality with lower non recurring engineering NRE costs Significant revisions reflected in the final phases of the design flow where the complexity due to smaller and smaller geometries is compounded by the slow progress of shorter wavelength lithography New coverage of cutting edge applications and approaches realized in the decade since publication of the previous edition these are illustrated by new chapters on high level synthesis system on chip SoC block based design and back annotating system level models Offering improved depth and modernity Electronic Design Automation for IC System Design Verification and Testing provides a valuable state of the art reference for electronic design automation EDA students researchers and professionals **Software Quality. Model-Based Approaches for Advanced Software and Systems**

Engineering Dietmar Winkler, Stefan Biffel, Johannes Bergsmann, 2014-01-09 This book constitutes the refereed proceedings of the 6th Software Quality Days Conference SWQD held in Vienna Austria in January 2014 This professional symposium and conference offers a range of comprehensive and valuable opportunities for advanced professional training new ideas and networking with a series of keynote speeches professional lectures exhibits and tutorials The four scientific full papers accepted for SWQD were each peer reviewed by three or more reviewers and selected out of 24 high quality submissions Further one keynote and ten short papers on promising research directions were also presented and included in order to spark discussions between researchers and practitioners The papers are organized into topical sections on software process improvement and measurement requirements management value based software engineering software and systems testing

automation supported testing and quality assurance and collaboration *A Hierarchical, Automated Design Flow for Low-power, High-throughput Digital Signal Processing IC's* William Rhett Davis,2002 **Fundamental Approaches to Software Engineering** Juan de Lara,Andrea Zisman,2012-03-22 This book constitutes the refereed proceedings of the 15th International Conference on Fundamental Approaches to Software Engineering FASE 2012 held in Tallinn Estonia in March April 2012 as part of ETAPS 2012 the European Joint Conferences on Theory and Practice of Software The 33 full papers presented together with one full length invited talk were carefully reviewed and selected from 134 submissions The papers are organized in topical sections on software architecture and components services verification and monitoring intermodelling and model transformations modelling and adaptation product lines and feature oriented programming development process verification and synthesis testing and maintenance and slicing and refactoring **Embedded Systems Handbook 2-Volume Set** Richard Zurawski,2018-10-08 During the past few years there has been an dramatic upsurge in research and development implementations of new technologies and deployments of actual solutions and technologies in the diverse application areas of embedded systems These areas include automotive electronics industrial automated systems and building automation and control Comprising 48 chapters and the contributions of 74 leading experts from industry and academia the Embedded Systems Handbook Second Edition presents a comprehensive view of embedded systems their design verification networking and applications The contributors directly involved in the creation and evolution of the ideas and technologies presented offer tutorials research surveys and technology overviews exploring new developments deployments and trends To accommodate the tremendous growth in the field the handbook is now divided into two volumes New in This Edition Processors for embedded systems Processor centric architecture description languages Networked embedded systems in the automotive and industrial automation fields Wireless embedded systems Embedded Systems Design and Verification Volume I of the handbook is divided into three sections It begins with a brief introduction to embedded systems design and verification The book then provides a comprehensive overview of embedded processors and various aspects of system on chip and FPGA as well as solutions to design challenges The final section explores power aware embedded computing design issues specific to secure embedded systems and web services for embedded devices Networked Embedded Systems Volume II focuses on selected application areas of networked embedded systems It covers automotive field industrial automation building automation and wireless sensor networks This volume highlights implementations in fast evolving areas which have not received proper coverage in other publications Reflecting the unique functional requirements of different application areas the contributors discuss inter node communication aspects in the context of specific applications of networked embedded systems **Data Sources** ,2000 *Annual Index/abstracts of SAE Technical Papers* ,2006 **Worldwide Automotive Supplier Directory** ,2007 *Test and Design-for-Testability in Mixed-Signal Integrated Circuits* Jose Luis Huertas Díaz,2010-02-23 Test and Design for Testability in Mixed Signal Integrated Circuits deals with test

and design for test of analog and mixed signal integrated circuits Especially in System on Chip SoC where different technologies are intertwined analog digital sensors RF test is becoming a true bottleneck of present and future IC projects Linking design and test in these heterogeneous systems will have a tremendous impact in terms of test time cost and proficiency Although it is recognized as a key issue for developing complex ICs there is still a lack of structured references presenting the major topics in this area The aim of this book is to present basic concepts and new ideas in a manner understandable for both professionals and students Since this is an active research field a comprehensive state of the art overview is very valuable introducing the main problems as well as the ways of solution that seem promising emphasizing their basis strengths and weaknesses In essence several topics are presented in detail First of all techniques for the efficient use of DSP based test and CAD test tools Standardization is another topic considered in the book with focus on the IEEE 1149.4 Also addressed in depth is the connecting design and test by means of using high level behavioural description techniques specific examples are given Another issue is related to test techniques for well defined classes of integrated blocks like data converters and phase locked loops Besides these specification driven testing techniques fault driven approaches are described as they offer potential solutions which are more similar to digital test methods Finally in Design for Testability and Built In Self Test two other concepts that were taken from digital design are introduced in an analog context and illustrated for the case of integrated filters In summary the purpose of this book is to provide a glimpse on recent research results in the area of testing mixed signal integrated circuits specifically in the topics mentioned above Much of the work reported herein has been performed within cooperative European Research Projects in which the authors of the different chapters have actively collaborated It is a representative snapshot of the current state of the art in this emergent field

EDA for IC System Design, Verification, and Testing Louis Scheffer, Luciano Lavagno, Grant Martin, 2018-10-03 Presenting a comprehensive overview of the design automation algorithms tools and methodologies used to design integrated circuits the Electronic Design Automation for Integrated Circuits Handbook is available in two volumes The first volume EDA for IC System Design Verification and Testing thoroughly examines system level design microarchitectural design logical verification and testing Chapters contributed by leading experts authoritatively discuss processor modeling and design tools using performance metrics to select microprocessor cores for IC designs design and verification languages digital simulation hardware acceleration and emulation and much more Save on the complete set [Digital Integrated Circuit Design Using Verilog and SystemVerilog](#) Ronald W. Mehler, 2014-09-30 For those with a basic understanding of digital design this book teaches the essential skills to design digital integrated circuits using Verilog and the relevant extensions of SystemVerilog In addition to covering the syntax of Verilog and SystemVerilog the author provides an appreciation of design challenges and solutions for producing working circuits The book covers not only the syntax and limitations of HDL coding but deals extensively with design problems such as partitioning and synchronization helping you to produce designs that are not only

logically correct but will actually work when turned into physical circuits Throughout the book many small examples are used to validate concepts and demonstrate how to apply design skills This book takes readers who have already learned the fundamentals of digital design to the point where they can produce working circuits using modern design methodologies It clearly explains what is useful for circuit design and what parts of the languages are only software providing a non theoretical practical guide to robust reliable and optimized hardware design and development Produce working hardware Covers not only syntax but also provides design know how addressing problems such as synchronization and partitioning to produce working solutions Usable examples Numerous small examples throughout the book demonstrate concepts in an easy to grasp manner Essential knowledge Covers the vital design topics of synchronization essential for producing working silicon asynchronous interfacing techniques and design techniques for circuit optimization including partitioning

Digital Integrated Circuit Design Using Verilog and Systemverilog Ronald W. Mehler, 2017-11-13 For those with a basic understanding of digital design this book teaches the essential skills to design digital integrated circuits using Verilog and the relevant extensions of SystemVerilog In addition to covering the syntax of Verilog and SystemVerilog the author provides an appreciation of design challenges and solutions for producing working circuits The book covers not only the syntax and limitations of HDL coding but deals extensively with design problems such as partitioning and synchronization helping you to produce designs that are not only logically correct but will actually work when turned into physical circuits Throughout the book many small examples are used to validate concepts and demonstrate how to apply design skills This book takes readers who have already learned the fundamentals of digital design to the point where they can produce working circuits using modern design methodologies It clearly explains what is useful for circuit design and what parts of the languages are only software providing a non theoretical practical guide to robust reliable and optimized hardware design and development Produce working hardware Covers not only syntax but also provides design know how addressing problems such as synchronization and partitioning to produce working solutions Usable examples Numerous small examples throughout the book demonstrate concepts in an easy to grasp manner Essential knowledge Covers the vital design topics of synchronization essential for producing working silicon asynchronous interfacing techniques and design techniques for circuit optimization including partitioning

Digital Integrated Circuits John E. Ayers, 2018-09-03 Exponential improvement in functionality and performance of digital integrated circuits has revolutionized the way we live and work The continued scaling down of MOS transistors has broadened the scope of use for circuit technology to the point that texts on the topic are generally lacking after a few years The second edition of *Digital Integrated Circuits Analysis and Design* focuses on timeless principles with a modern interdisciplinary view that will serve integrated circuits engineers from all disciplines for years to come Providing a revised instructional reference for engineers involved with Very Large Scale Integrated Circuit design and fabrication this book delves into the dramatic advances in the field including new applications and changes in the physics of operation made

possible by relentless miniaturization This book was conceived in the versatile spirit of the field to bridge a void that had existed between books on transistor electronics and those covering VLSI design and fabrication as a separate topic Like the first edition this volume is a crucial link for integrated circuit engineers and those studying the field supplying the cross disciplinary connections they require for guidance in more advanced work For pedagogical reasons the author uses SPICE level 1 computer simulation models but introduces BSIM models that are indispensable for VLSI design This enables users to develop a strong and intuitive sense of device and circuit design by drawing direct connections between the hand analysis and the SPICE models With four new chapters more than 200 new illustrations numerous worked examples case studies and support provided on a dynamic website this text significantly expands concepts presented in the first edition

Digital Systems Validation Handbook L. Harrison,1996 *Digital Integrated Circuit Design* ,2005* **Digital Integrated Circuit Testing from a Quality Perspective** Eugene R. Hnatek,1993-08-31

Embark on a breathtaking journey through nature and adventure with is mesmerizing ebook, **Digital Integrated Circuits Design For Test Using Simulink And Stateflow** . This immersive experience, available for download in a PDF format (Download in PDF: *), transports you to the heart of natural marvels and thrilling escapades. Download now and let the adventure begin!

<https://py.bijouxmedusa.com/book/browse/HomePages/Life%20Cycle%20Analysis%20In%20Construction%20Industry%20The%20Case%20Of%20A%20University%20Building.pdf>

Table of Contents Digital Integrated Circuits Design For Test Using Simulink And Stateflow

1. Understanding the eBook Digital Integrated Circuits Design For Test Using Simulink And Stateflow
 - The Rise of Digital Reading Digital Integrated Circuits Design For Test Using Simulink And Stateflow
 - Advantages of eBooks Over Traditional Books
2. Identifying Digital Integrated Circuits Design For Test Using Simulink And Stateflow
 - Exploring Different Genres
 - Considering Fiction vs. Non-Fiction
 - Determining Your Reading Goals
3. Choosing the Right eBook Platform
 - Popular eBook Platforms
 - Features to Look for in an Digital Integrated Circuits Design For Test Using Simulink And Stateflow
 - User-Friendly Interface
4. Exploring eBook Recommendations from Digital Integrated Circuits Design For Test Using Simulink And Stateflow
 - Personalized Recommendations
 - Digital Integrated Circuits Design For Test Using Simulink And Stateflow User Reviews and Ratings
 - Digital Integrated Circuits Design For Test Using Simulink And Stateflow and Bestseller Lists
5. Accessing Digital Integrated Circuits Design For Test Using Simulink And Stateflow Free and Paid eBooks
 - Digital Integrated Circuits Design For Test Using Simulink And Stateflow Public Domain eBooks
 - Digital Integrated Circuits Design For Test Using Simulink And Stateflow eBook Subscription Services

- Digital Integrated Circuits Design For Test Using Simulink And Stateflow Budget-Friendly Options
- 6. Navigating Digital Integrated Circuits Design For Test Using Simulink And Stateflow eBook Formats
 - ePub, PDF, MOBI, and More
 - Digital Integrated Circuits Design For Test Using Simulink And Stateflow Compatibility with Devices
 - Digital Integrated Circuits Design For Test Using Simulink And Stateflow Enhanced eBook Features
- 7. Enhancing Your Reading Experience
 - Adjustable Fonts and Text Sizes of Digital Integrated Circuits Design For Test Using Simulink And Stateflow
 - Highlighting and Note-Taking Digital Integrated Circuits Design For Test Using Simulink And Stateflow
 - Interactive Elements Digital Integrated Circuits Design For Test Using Simulink And Stateflow
- 8. Staying Engaged with Digital Integrated Circuits Design For Test Using Simulink And Stateflow
 - Joining Online Reading Communities
 - Participating in Virtual Book Clubs
 - Following Authors and Publishers Digital Integrated Circuits Design For Test Using Simulink And Stateflow
- 9. Balancing eBooks and Physical Books Digital Integrated Circuits Design For Test Using Simulink And Stateflow
 - Benefits of a Digital Library
 - Creating a Diverse Reading Collection Digital Integrated Circuits Design For Test Using Simulink And Stateflow
- 10. Overcoming Reading Challenges
 - Dealing with Digital Eye Strain
 - Minimizing Distractions
 - Managing Screen Time
- 11. Cultivating a Reading Routine Digital Integrated Circuits Design For Test Using Simulink And Stateflow
 - Setting Reading Goals Digital Integrated Circuits Design For Test Using Simulink And Stateflow
 - Carving Out Dedicated Reading Time
- 12. Sourcing Reliable Information of Digital Integrated Circuits Design For Test Using Simulink And Stateflow
 - Fact-Checking eBook Content of Digital Integrated Circuits Design For Test Using Simulink And Stateflow
 - Distinguishing Credible Sources
- 13. Promoting Lifelong Learning
 - Utilizing eBooks for Skill Development
 - Exploring Educational eBooks
- 14. Embracing eBook Trends

- Integration of Multimedia Elements
- Interactive and Gamified eBooks

Digital Integrated Circuits Design For Test Using Simulink And Stateflow Introduction

Digital Integrated Circuits Design For Test Using Simulink And Stateflow Offers over 60,000 free eBooks, including many classics that are in the public domain. Open Library: Provides access to over 1 million free eBooks, including classic literature and contemporary works. Digital Integrated Circuits Design For Test Using Simulink And Stateflow Offers a vast collection of books, some of which are available for free as PDF downloads, particularly older books in the public domain. Digital Integrated Circuits Design For Test Using Simulink And Stateflow : This website hosts a vast collection of scientific articles, books, and textbooks. While it operates in a legal gray area due to copyright issues, its a popular resource for finding various publications. Internet Archive for Digital Integrated Circuits Design For Test Using Simulink And Stateflow : Has an extensive collection of digital content, including books, articles, videos, and more. It has a massive library of free downloadable books. Free-eBooks Digital Integrated Circuits Design For Test Using Simulink And Stateflow Offers a diverse range of free eBooks across various genres. Digital Integrated Circuits Design For Test Using Simulink And Stateflow Focuses mainly on educational books, textbooks, and business books. It offers free PDF downloads for educational purposes. Digital Integrated Circuits Design For Test Using Simulink And Stateflow Provides a large selection of free eBooks in different genres, which are available for download in various formats, including PDF. Finding specific Digital Integrated Circuits Design For Test Using Simulink And Stateflow, especially related to Digital Integrated Circuits Design For Test Using Simulink And Stateflow, might be challenging as theyre often artistic creations rather than practical blueprints. However, you can explore the following steps to search for or create your own Online Searches: Look for websites, forums, or blogs dedicated to Digital Integrated Circuits Design For Test Using Simulink And Stateflow, Sometimes enthusiasts share their designs or concepts in PDF format. Books and Magazines Some Digital Integrated Circuits Design For Test Using Simulink And Stateflow books or magazines might include. Look for these in online stores or libraries. Remember that while Digital Integrated Circuits Design For Test Using Simulink And Stateflow, sharing copyrighted material without permission is not legal. Always ensure youre either creating your own or obtaining them from legitimate sources that allow sharing and downloading. Library Check if your local library offers eBook lending services. Many libraries have digital catalogs where you can borrow Digital Integrated Circuits Design For Test Using Simulink And Stateflow eBooks for free, including popular titles. Online Retailers: Websites like Amazon, Google Books, or Apple Books often sell eBooks. Sometimes, authors or publishers offer promotions or free periods for certain books. Authors Website Occasionally, authors provide excerpts or short stories for free on their websites. While this might not be the Digital Integrated Circuits Design For Test Using Simulink And

Stateflow full book , it can give you a taste of the authors writing style.Subscription Services Platforms like Kindle Unlimited or Scribd offer subscription-based access to a wide range of Digital Integrated Circuits Design For Test Using Simulink And Stateflow eBooks, including some popular titles.

FAQs About Digital Integrated Circuits Design For Test Using Simulink And Stateflow Books

What is a Digital Integrated Circuits Design For Test Using Simulink And Stateflow PDF? A PDF (Portable Document Format) is a file format developed by Adobe that preserves the layout and formatting of a document, regardless of the software, hardware, or operating system used to view or print it. **How do I create a Digital Integrated Circuits Design For Test Using Simulink And Stateflow PDF?** There are several ways to create a PDF: Use software like Adobe Acrobat, Microsoft Word, or Google Docs, which often have built-in PDF creation tools. Print to PDF: Many applications and operating systems have a "Print to PDF" option that allows you to save a document as a PDF file instead of printing it on paper. Online converters: There are various online tools that can convert different file types to PDF. **How do I edit a Digital Integrated Circuits Design For Test Using Simulink And Stateflow PDF?** Editing a PDF can be done with software like Adobe Acrobat, which allows direct editing of text, images, and other elements within the PDF. Some free tools, like PDFescape or Smallpdf, also offer basic editing capabilities. **How do I convert a Digital Integrated Circuits Design For Test Using Simulink And Stateflow PDF to another file format?** There are multiple ways to convert a PDF to another format: Use online converters like Smallpdf, Zamzar, or Adobe Acrobats export feature to convert PDFs to formats like Word, Excel, JPEG, etc. Software like Adobe Acrobat, Microsoft Word, or other PDF editors may have options to export or save PDFs in different formats. **How do I password-protect a Digital Integrated Circuits Design For Test Using Simulink And Stateflow PDF?** Most PDF editing software allows you to add password protection. In Adobe Acrobat, for instance, you can go to "File" -> "Properties" -> "Security" to set a password to restrict access or editing capabilities. Are there any free alternatives to Adobe Acrobat for working with PDFs? Yes, there are many free alternatives for working with PDFs, such as: LibreOffice: Offers PDF editing features. PDFsam: Allows splitting, merging, and editing PDFs. Foxit Reader: Provides basic PDF viewing and editing capabilities. How do I compress a PDF file? You can use online tools like Smallpdf, ILovePDF, or desktop software like Adobe Acrobat to compress PDF files without significant quality loss. Compression reduces the file size, making it easier to share and download. Can I fill out forms in a PDF file? Yes, most PDF viewers/editors like Adobe Acrobat, Preview (on Mac), or various online tools allow you to fill out forms in PDF files by selecting text fields and entering information. Are there any restrictions when working with PDFs? Some PDFs might have restrictions set by their creator, such as password protection, editing restrictions, or print restrictions. Breaking these restrictions might require specific

software or tools, which may or may not be legal depending on the circumstances and local laws.

Find Digital Integrated Circuits Design For Test Using Simulink And Stateflow :

life cycle analysis in construction industry the case of a university building

learning german through storytelling mord am morgen a detective story for german language learners includes exercises for intermediate and momsens volume 1 german edition

lindeburg mechanical engineering reference manual

learning modules medical gross anatomy introduction to

literary response and analysis answers holt key

libro desarrollo humano papalia descargar gratis

language leader pre intermediate coursebook unit 1

learn stock trading how to be a pro stock trader

lettre de motivation secretaire medicale sans experience

literatura puertorriquena

liber mesuesi shtepia botuese shblsh e re

libro di storia zanichelli

libro santillana 2 eso tema calor y temperatura vedrunav.org

learn python the hard way 3rd edition

laser fabrication and machining of materials by narendra b dahotre

Digital Integrated Circuits Design For Test Using Simulink And Stateflow :

fatto a mano aggiustare se stessi attraverso la creatività by - Apr 30 2022

web fatto a mano aggiustare se stessi attraverso la creatività by rosemary davidson arzu tahsin e de medio fatto a mano

aggiustare se stessi attraverso la libro fatto a mano aggiustare se stessi attraverso la ebook sapone naturale fai da te paola

lambardi cosa succede quando un narcisista sa di essere stato ebook fatto a mano r davidson corbaccio

fatto a mano aggiustare se stessi attraverso la c - Oct 05 2022

web fatto a mano aggiustare se stessi attraverso la c 3 3 sposa e amante continua a perseverare senza fare patti col diavolo si

evince subito la sua difficoltà a vivere in una illusoria prospettiva di vita che non lo porta da nessuna parte né in campo

economico tanto meno in quello sentimentale rossano vive come in un'altra dimensione sempre

aggiustare in sinonimi e contrari treccani - Jan 28 2022

web ridurre qualcuno a mal partito l ho a per bene accomodare arrangiare fam conciare per le feste sistemare strapazzare c rimettere in ordine anche nella forma aggiustarsi a la cravatta mettere a posto sistemare 2 effettuare una regolazione o un adattamento correggere precisare regolare rettificare 3

fatto a mano aggiustare se stessi attraverso la creatività - Jul 14 2023

web scopri fatto a mano aggiustare se stessi attraverso la creatività di davidson rosemary tahsin arzu de medio maria elisabetta spedizione gratuita per i clienti prime e per ordini a partire da 29 spediti da amazon

astutamente dizionario dei sinonimi e dei contrari corriere it - Dec 27 2021

web astutamente scopri sinonimi e contrari del termine su dizionario dei sinonimi e dei contrari del corriere it

fatto a mano aggiustare se stessi attraverso la creatività - Sep 04 2022

web dec 17 2019 creare un oggetto o aggiustarne uno rotto aumenta la fiducia in se stessi è come se stessi creando o aggiustando noi stesse assistiamo in questi ultimi anni al ritorno all artigianato c è bisogno di autenticità di contrastare la sensazione d impotenza la mancanza di senso e di tempo creando pezzi unici

fatto a mano aggiustare se stessi attraverso la creatività - May 12 2023

web fatto a mano aggiustare se stessi attraverso la creatività ebook davidson rosemary tahsin arzu de medio maria elisabetta amazon it kindle store

fatto a mano aggiustare se stessi attraverso la creativit - Nov 06 2022

web fatto a mano aggiustare se stessi attraverso la creativit è un libro di davidson rosemary tahsin arzu edito da corbaccio a febbraio 2019 ean 9788867005222 puoi acquistarlo sul sito hoepli it la grande libreria online

fatto a mano aggiustare se stessi attraverso la creatività - Jun 13 2023

web il libro della craftfulness per aggiustare se stessi attraverso la creatività in qualche modo lo sapevamo ma ce ne siamo dimenticati e ora qualcuno ce lo ricorda lavorare con le mani creare dal nulla ma anche recuperare e riciclare

pdf read fatto a mano aggiustare se stessi attraverso la - Feb 09 2023

web jul 17 2023 pdf read fatto a mano aggiustare se stessi attraverso la creativit by rosemary davidson on kindle new volumes download or read epub fatto a mano aggiustare se stessi attraverso la creativit b

fatto a mano aggiustare se stessi attraverso la creatività ebook - Dec 07 2022

web feb 14 2019 aggiustare se stessi attraverso la creativit agrave il libro della craftfulness in qualche modo lo sapevamo ma ce ne siamo dimenticati e ora qualcuno ce lo ricorda lavorare con le mani creare dal nulla ma anche recuperare e

fatto a mano aggiustare se stessi attraverso la creatività - Aug 15 2023

web fatto a mano aggiustare se stessi attraverso la creatività davidson rosemary tahsin arzu amazon com tr kitap

fatto a mano aggiustare se stessi attraverso la c 2023 - Jan 08 2023

web fatto a mano aggiustare se stessi attraverso la c alle pendici dei colli albanesi on the slopes of the alban hills jan 05 2023
this volume results from the conference between appia and latina settlement dynamics and territorial development on the slopes of the alban hills held at the royal dutch institute at rome knir in february 2017

fatto a mano aggiustare se stessi attraverso la c uniport edu - Mar 30 2022

web mar 23 2023 kindly say the fatto a mano aggiustare se stessi attraverso la c is universally compatible with any devices to read chi ha paura di pulcinella massimo torre 2014 08 27t00 00 00 02 00 pulcinella è tornato sì era molto tempo che mancava dalle scene troppo tempo senza di lui la città era come senz'anima predata svuotata

fatto a mano aggiustare se stessi attraverso la creatività - Apr 11 2023

web aggiustare se stessi attraverso la creatività è un ebook di davidson rosemary tahsin arzu pubblicato da corbaccio nella collana i libri del benessere a 9 99 il file è in formato epub2 con adobe drm risparmia online con le offerte ibs

fatto a mano aggiustare se stessi attraverso la c graziano - Aug 03 2022

web fatto a mano aggiustare se stessi attraverso la c is available in our book collection an online the fatto a mano aggiustare se stessi attraverso la c is universally compatible with any devices to read rivista di storia arte archeologia della provincia di alessandria periodico semestrale della commissione municipale di alessandria 1895

aggiustare in vocabolario treccani - Feb 26 2022

web aggiustare v tr der di giusto 1 1 a mettere o rimettere un oggetto nelle condizioni richieste per il suo buon uso o funzionamento accomodare riparare a qualcuna macchina un motore un orologio a un vestito riadattarlo in modo che stia bene fig iron a qualcuno o aggiustarlo per le feste conciarlo in malo modo spec

fatto a mano aggiustare se stessi attraverso la creatività - Mar 10 2023

web jan 15 2019 fatto a mano book read 104 reviews from the world s largest community for readers aggiustare se stessi attraverso la creatività il libro della craftfu

fatto a mano aggiustare se stessi attraverso la c pdf - Jun 01 2022

web aug 18 2023 fatto a mano aggiustare se stessi attraverso la c 1 1 downloaded from uniport edu ng on august 18 2023 by guest fatto a mano aggiustare se stessi attraverso la c thank you for reading fatto a mano aggiustare se stessi attraverso la c as you may know people have look numerous times for their favorite books like this

fatto a mano aggiustare se stessi attraverso la creatività by - Jul 02 2022

web fatto a mano aggiustare se stessi attraverso la creatività by rosemary davidson arzu tahsin e de medio may 18th 2020 fatto a mano aggiustare se stessi attraverso la creativit fatto a mano offre un punto di vista nuovo sull'arte di fare le cose con le proprie mani in connessione con il nostro io più

nokia xpress browser download for s40 at thedomainfo - Nov 27 2022

web 2 nokia xpress browser for s40 2023 05 27 permission on binaries or services vulnerable kernel vulnerable software running with high privileges sensitive information

nokia browser for s40 devices updated to 2.0 brings - Oct 07 2023

web feb 11 2015 the xpress browser is scheduled to be discontinued by december 2015 users of nokia s40 should configure the correct internet settings in their devices before

nokia xpress browser for s40 2023 textra com - May 22 2022

web nokia xpress browser s40 2 10 downloaded from uniport edu ng on may 21 2023 by guest de bug 2008 how to pass oscp series windows privilege escalation step by

nokia xpress browser for s40 admin store motogp com - Jul 24 2022

web mar 10 2023 this online broadcast nokia xpress browser for s40 can be one of the options to accompany you with having additional time it will not waste your time

nokia xpress browser s40 assets ceu social - Jun 22 2022

web jul 21 2023 nokia xpress browser for s40 1 9 downloaded from uniport edu ng on july 21 2023 by guest nokia xpress browser for s40 yeah reviewing a books nokia

series 40 wikipedia - Apr 01 2023

web mar 27 2023 ambition to download and install the nokia xpress browser for s40 it is no question easy then past currently we extend the link to buy and make bargains to

nokia xpress browser for s40 copy uniport edu - Jan 18 2022

nokia xpress wikipedia - Jul 04 2023

web nov 20 2020 nokia xpress browser update for s40 4529 jun 17 nokia xpress browser softwares windows phone homebrew apps available for free download save

opera mini comes to nokia s30 s40 and asha phones - Sep 06 2023

nokia xpress also called xpress browser was a mobile browser developed by nokia and supported by microsoft until the end of 2015 it came loaded by default with series 40 asha platform and nokia x software platform it uses the gecko rendering engine on nokia feature phones it was replaced by opera browser in early 2015

nokia xpress browser for s40 2022 api 2 crabplace - Mar 20 2022

how to upgrade from xpress browser to opera mini - May 02 2023

web sep 28 2017 ovi browser for mobile ovi browser for for nokia c2 02 c2 03 c2 05 download app free ovi browser download for nokia asha 200 ovi browser download

nokia xpress browser for s40 uniport edu - Sep 25 2022

web nokia xpress browser for s40 1 nokia xpress browser for s40 programming the mobile web digital legacy mobile design and development high performance mobile

nokia xpress browser s40 implantas odontocompany com - Apr 20 2022

upgrade your nokia xpress browser to opera mini - Jun 03 2023

web xpress browser soft112 com xpress browser free download xpress browser we are creating visual studio 2005 browser to show how we can create a advanced browser

nokia series 40 browser v 2 0 2 review wap review - Aug 05 2023

web nokia had its own xpress browser but this is getting discontinued at the end of this year and will be replaced by opera mini both browsers compress data to reduce data usage

nokia xpress browser s40 uniport edu ng - Nov 15 2021

opera mini to become the default web browser for - Feb 28 2023

web jun 20 2023 some harmful virus inside their computer nokia xpress browser for s40 is open in our digital library an online permission to it is set as public as a result you can

nokia xpress browser update for s40 4529 guidebook - Dec 29 2022

web nokia xpress browser s40 nokia xpress browser s40 2 downloaded from assets ceu social on 2021 11 08 by guest retailers such as the app store google play

nokia ovi browser download for s40 latest version bitbucket - Oct 27 2022

web nokia xpress browser s40 3 3 facilitate the expansion of training capabilities and at the same time to provide the most modern techniques in training methods radar simulators

opera takeover of nokia store and nokia xpress browser begins - Jan 30 2023

web 2 nokia xpress browser for s40 2023 08 09 system tds an integrated programming environment which facilitates the programming of transputer networks in occam the

nokia xpress browser for s40 copy uniport edu - Dec 17 2021

nokia series 40 browser v 2 0 2 review wap review - Feb 16 2022

nokia xpress browser for s40 pdf uniport edu - Aug 25 2022

web nokia has lent me a nokia asha 303 s40 touch and type phone that i ve been using to explore the latest nokia browser for s40 devices the nokia browser is a proxy

download junior waec past questions and answers for all - Sep 04 2022

web mar 24 2023 11 50 0 67 below is how to download junior waec theory and objective past questions and answers in pdf that would help you prepare for your exam junior waec exam past questions and answers is also junior neco past questions and answers it will help you to pass all the subjects at one sitting we have compiled

[junior waec past questions pdf format infoguidenigeria com](#) - Jan 28 2022

web normally the junior waec past questions pdf format is in a multiple choice and essay theory question pattern we have made it very easy for you we bring all the questions for many years and put them together but we indicate the specific years of their occurrence we provide the correct answers in order to save your time

bece english past questions and answers free pdf junior waec - Nov 06 2022

web jun 21 2019 the objective and eassy past questions for junior waec english will not only help you know the likely questions but you will understand the nature of the examination our research has confirm that candidate that who uses junior waec english past questions to prepare for basic certificate examination bece is ten times better

junior waec bece questions for all subjects flashlearners - Jul 14 2023

web nov 27 2021 modified on nov 27 2021 it is one thing to get junior waec bece past questions and it is another thing to get correctly solved bece questions with detailed explanation the basic education certificate examination bece board sets questions from twenty 20 different subjects

junior waec mathematics past questions and answers pdf jamb and waec - Aug 03 2022

web jul 4 2023 to get the full newly up to date junior waec mathematics past questions and answers the price of this past question is n1 000 how to get junior waec mathematics past questions pdf pay the sum of n1 000 to the account below account name adeyemi tofunmi account no 3121441480 bank first bank mobile

junior waec past questions and answers for 14 subjects pdf - Dec 27 2021

web sep 12 2023 currently we have these previous questions for 14 subjects including junior waec english past questions junior waec mathematics past questions and answers pdf do you want to pass the jss 3 exam if yes then get the jss3 neco past questions and answers from us

junior waec english language past questions and answers - Feb 26 2022

web jul 3 2023 the significance of these collated and downloaded junior waec english language past questions is to provide current and future jsce candidates with access to a comprehensive set of jss3 previous questions

[junior waec questions and answers 2019 free download](#) - Jun 01 2022

web aug 23 2017 1 junior waec past questions and answer free download 1 1 how much is the bece past question and answer 1 2 junior waec questions and answers list of subjects 1 3 download free junior waec past question paper on mathematics

junior waec exams past questions and answers - Jul 02 2022

web feb 18 2013 junior waec exams practice questions and answers junior waec exams practice questions and answers the best way to answer jamb use of english jamb past questions waec past questions neco past questions toefl past questions sat gmat gre gce past questions questions banks free past

download junior waec past questions and answers for all - Oct 05 2022

web sep 7 2023 junior waec exam past questions and answers is also junior neco past questions and answers it will help you to pass all the subjects at one sitting we have compiled complete junior waec past questions for you we have also added accurate answers to help you during preparation

bece computer studies past questions and answers junior waec - Apr 30 2022

web feb 4 2020 1 junior waec past questions on computer studies summary benefit 2 how to get bece past questions all subjects 3 read download bece computer science past questions for junior waec 3 1 bece computer studies objective questions and answer 3 2 bece essay questions on computer studies 3 3 junior

[junior waec past questions and answers for all subjects](#) - Aug 15 2023

web aug 7 2023 junior waec past questions and answers for all subjects for download pdf here the junior waec exams past questions cover the following junior waec subjects english language mathematics social studies physical health education fine art integrated science etc

junior waec exams past questions and answers prepstage com - Dec 07 2022

web feb 18 2013 junior waec exams past questions and answers by ifiokobong february 18 2013 junior waec exams past questions and answers are past questions gotten from the junior secondary school examination jsce which is conducted for candidates in their third year of the junior secondary school

junior waec past questions and answers your ultimate study - May 12 2023

web jul 3 2023 junior waec past questions for mathematics cover topics such as algebra geometry trigonometry and statistics these past questions help students to familiarize themselves with the exam format question types and difficulty level additionally students can use past questions to identify areas where they need to improve their understanding

download junior waec past questions and answers for all - Jun 13 2023

web jul 3 2023 these previous questions are currently available for 14 topics including junior waec english past questions

and answers pdf and junior waec mathematics past questions and answers pdf do you intend to take the jss 3 exam if so we can provide you with jss3 neco previous questions and answers

junior waec past questions and answers free pdf pack - Apr 11 2023

web may 14 2021 junior waec past questions you are welcome to the largest junior secondary certificate examination past question and answer collection on the web

junior waec past questions and answers speedyminds - Feb 09 2023

web jun 15 2022 junior waec past questions and answers 15 june 2022 law p junior waec past questions and answers free pdf study pack download below is how to download junior waec theory and objective past questions and answers in pdf that would help you prepare for your exam

junior waec agricultural science past questions and answers - Mar 30 2022

web jul 3 2023 junior waec english language past questions and answers pdf for jsce jss3 junior waec basic science past questions and answers pdf for jsce jss3 junior waec past questions and answers your ultimate study guide do jamb repeat past questions clearing up the confusion can jamb give a candidate two

junior waec past questions and answers 2022 bece past questions - Jan 08 2023

web nov 10 2022 junior waec past questions and answers 2022 in this boobieenterprises guide we have provided detailed junior waec past questions and answers 2022 bece past questions and answers for junior secondary students preparing to

bece junior waec past questions and answers pdf 2023 - Mar 10 2023

web jul 18 2023 bece past questions and answers are a valuable resource for students preparing for the junior waec examination they can help you to understand the format of the exam and the questions that are asked identify your strengths and weaknesses in different subject areas practice answering questions under timed conditions