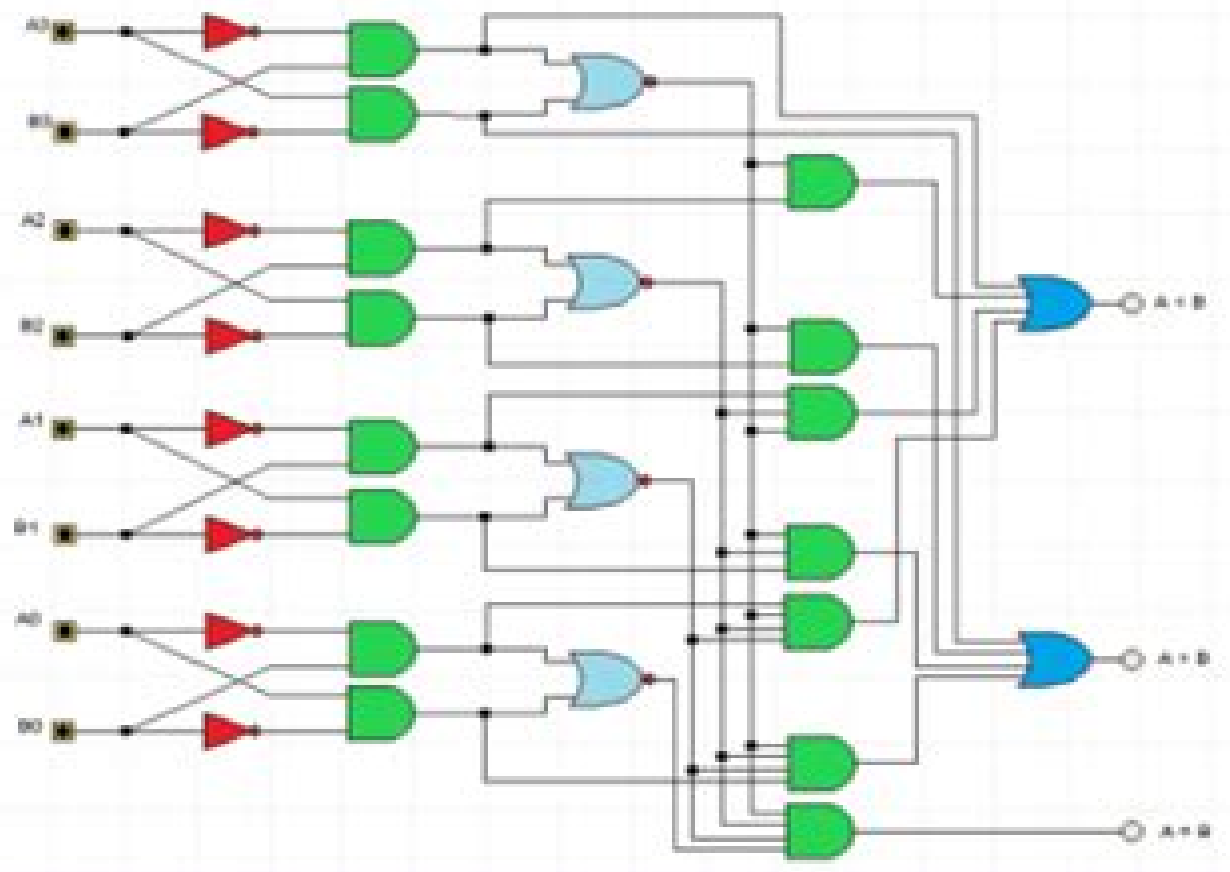


File [Icons]	Operations [Icons]	Basic Gates [Icons]	Derived Gates [Icons]	Flip Flops [Icons]	IO Parts I [Icons]	Simulation [Icons]	Scope [Icons]	IO II [Icons]	Power [Icons]
------------------------	------------------------------	-------------------------------	---------------------------------	------------------------------	------------------------------	------------------------------	-------------------------	-------------------------	-------------------------

Major Elements

4 Bit Magnitude Comparator



Digital Logic And State Machine Design

Sunggu Lee



Digital Logic And State Machine Design:

Digital Logic and State Machine Design David J. Comer, 1984 *Digital Logic and State Machine Design* David J. Comer, 1990 From one of the best known and successful authors in the field comes this new edition of Digital Logic and State Machine Design The text is concise and practical and covers the important area of digital system design specifically for undergraduates Comer's primary goal is to illustrate that sequential circuits can be designed using state machine techniques These methods apply to sequential circuit design as efficiently as Boolean algebra and Karnaugh mapping methods apply to combinatorial design After presenting the techniques Comer proceeds directly into designing digital systems This task consists of producing the schematic or block diagram of the system based on nothing more than a given set of specifications The design serves as the basis for the construction of the actual hardware system In the new Third Edition Comer introduces state machines earlier than in previous editions and adds entire chapters on programmable logic devices and computer organization

The Electrical Engineering Handbook, Second Edition Richard C. Dorf, 1997-09-26 In 1993 the first edition of The Electrical Engineering Handbook set a new standard for breadth and depth of coverage in an engineering reference work Now this classic has been substantially revised and updated to include the latest information on all the important topics in electrical engineering today Every electrical engineer should have an opportunity to expand his expertise with this definitive guide In a single volume this handbook provides a complete reference to answer the questions encountered by practicing engineers in industry government or academia This well organized book is divided into 12 major sections that encompass the entire field of electrical engineering including circuits signal processing electronics electromagnetics electrical effects and devices and energy and the emerging trends in the fields of communications digital devices computer engineering systems and biomedical engineering A compendium of physical chemical material and mathematical data completes this comprehensive resource Every major topic is thoroughly covered and every important concept is defined described and illustrated Conceptually challenging but carefully explained articles are equally valuable to the practicing engineer researchers and students A distinguished advisory board and contributors including many of the leading authors professors and researchers in the field today assist noted author and professor Richard Dorf in offering complete coverage of this rapidly expanding field No other single volume available today offers this combination of broad coverage and depth of exploration of the topics The Electrical Engineering Handbook will be an invaluable resource for electrical engineers for years to come

Microprogrammed State Machine Design Michel A. Lynch, 2024-11-01 Microprogrammed State Machine Design is a digital computer architecture text that builds systematically from basic concepts to complex state machine design It provides practical techniques and alternatives for designing solutions to data processing problems both in commerce and in research purposes It offers an excellent introduction to the tools and elements of design used in microprogrammed state machines and incorporates the necessary background in number systems hardware

building blocks assemblers for use in preparing control programs and tools and components for assemblers The author conducts an in depth examination of first and second level microprogrammed state machines He promotes a top down approach that examines algorithms mathematically to exploit the simplifications resulting from choosing the proper representation and application of algebraic manipulation The steps involved in the cycle of design and simulation steps are demonstrated through an example of running a computer through a simulation Other topics covered in Microprogrammed State Machine Design include a discussion of simulation methods the development and use of assembler language processors and comparisons among various hardware implementations such as the Reduced Instruction Set Computer RISC and the Digital Signal Processor DSP As a text and guide Microprogrammed State Machine Design will interest students in the computer sciences computer architects and engineers systems programmers and analysts and electrical engineers

Digital Logic And State Machine Design 3/E David J. Comer, **Advanced Digital Logic Design** Sunggu Lee, 2006 This textbook is intended to serve as a practical guide for the design of complex digital logic circuits such as digital control circuits network interface circuits pipelined arithmetic units and RISC microprocessors It is an advanced digital logic design textbook that emphasizes the use of synthesizable Verilog code and provides numerous fully worked out practical design examples including a Universal Serial Bus interface a pipelined multiply accumulate unit and a pipelined microprocessor for the ARM THUMB architecture *FPGA-Based Embedded System Developer's Guide* A. Arockia Bazil Raj, 2018-04-09 The book covers various aspects of VHDL programming and FPGA interfacing with examples and sample codes giving an overview of VLSI technology digital circuits design with VHDL programming components functions and procedures and arithmetic designs followed by coverage of the core of external I O programming algorithmic state machine based system design and real world interfacing examples Focus on real world applications and peripherals interfacing for different applications like data acquisition control communication display computing instrumentation digital signal processing and top module design Aims to be a quick reference guide to design digital architecture in the FPGA and develop system with RTC data transmission protocols *Advances in Intelligent Information Hiding and Multimedia Signal Processing* Jeng-Shyang Pan, Zhenyu Meng, Jianpo Li, Maria Virvou, 2022-07-13 This book presents selected papers from the 17th International Conference on Intelligent Information Hiding and Multimedia Signal Processing in conjunction with the 14th International Conference on Frontiers of Information Technology Applications and Tools held on 29 31 October 2021 in Kaohsiung Taiwan It is divided into two volumes and discusses latest research outcomes in the field of information technology IT including but not limited to information hiding multimedia signal processing big data data mining bioinformatics database industrial and internet of things and their applications **Asynchronous Sequential Machine Design and Analysis** Richard Tinder, 2022-06-01 Asynchronous Sequential Machine Design and Analysis provides a lucid in depth treatment of asynchronous state machine design and analysis presented in two parts Part I on the background fundamentals related to

asynchronous sequential logic circuits generally and Part II on self timed systems high performance asynchronous programmable sequencers and arbiters Part I provides a detailed review of the background fundamentals for the design and analysis of asynchronous finite state machines FSMs Included are the basic models use of fully documented state diagrams and the design and characteristics of basic memory cells and Muller C elements Simple FSMs using C elements illustrate the design process The detection and elimination of timing defects in asynchronous FSMs are covered in detail This is followed by the array algebraic approach to the design of single transition time machines and use of CAD software for that purpose one hot asynchronous FSMs and pulse mode FSMs Part I concludes with the analysis procedures for asynchronous state machines Part II is concerned mainly with self timed systems programmable sequencers and arbiters It begins with a detailed treatment of externally asynchronous internally clocked or pausable systems that are delay insensitive and metastability hardened This is followed by defect free cascadable asynchronous sequencers and defect free one hot asynchronous programmable sequencers their characteristics design and applications Part II concludes with arbiter modules of various types those with and without metastability protection together with applications Presented in the appendices are brief reviews covering mixed logic gate symbology Boolean algebra and entered variable K map minimization End of chapter problems and a glossary of terms expressions and abbreviations contribute to the reader s learning experience Five productivity tools are made available specifically for use with this text and briefly discussed in the Preface Table of Contents I Background Fundamentals for Design and Analysis of Asynchronous State Machines Introduction and Background Simple FSM Design and Initialization Detection and Elimination of Timing Defects in Asynchronous FSMs Design of Single Transition Time Machines Design of One Hot Asynchronous FSMs Design of Pulse Mode FSMs Analysis of Asynchronous FSMs II Self Timed Systems Programmable Sequencers and Arbiters Externally Asynchronous Internally Clocked Systems Cascadable Asynchronous Programmable Sequencers CAPS and Time Shared System Design Asynchronous One Hot Programmable Sequencer Systems Arbiter Modules

Embedded Systems Design using the MSP430FR2355 LaunchPad™ Brock J. LaMeres, 2023-01-06 This textbook for courses in Embedded Systems introduces students to necessary concepts through a hands on approach LEARN BY EXAMPLE This book is designed to teach the material the way it is learned through example Every concept is supported by numerous programming examples that provide the reader with a step by step explanation for how and why the computer is doing what it is doing LEARN BY DOING This book targets the Texas Instruments MSP430 microcontroller This platform is a widely popular low cost embedded system that is used to illustrate each concept in the book The book is designed for a reader that is at their computer with an MSP430FR2355 LaunchPad™ Development Kit plugged in so that each example can be coded and run as they learn LEARN BOTH ASSEMBLY AND C The book teaches the basic operation of an embedded computer using assembly language so that the computer operation can be explored at a low level Once more complicated systems are introduced i e timers analog to digital converters and serial interfaces the book

moves into the C programming language Moving to C allows the learner to abstract the operation of the lower level hardware and focus on understanding how to make things work

BASED ON SOUND PEDAGOGY This book is designed with learning outcomes and assessment at its core Each section addresses a specific learning outcome that the student should be able to do after its completion The concept checks and exercise problems provide a rich set of assessment tools to measure student performance on each outcome

Microprogramming and Computer Architecture Bruce Segee,John Field,1991

Presents the fundamentals a state machine with an ALU a simple CPU with an 8 bit data bus a bit slice based CPU that allows interrupts bus sharing asynchronous data transfers All circuits are built using real devices with reference made to real data manuals giving the text a more practical slant

Solutions Manual to Digital Logic and State Machine Design David J.

Comer,1995 This book is intended for undergraduate students in Electrical Engineering

Solutions Manual for Digital Logic and State Machine Design David J. Comer,1984

Electrical Engin Hdbk The Richard C. Dorf,1993-04-03 A

comprehensive source of electrical engineering information this text features a complete section devoted to key mathematical formulae concepts definitions and derivatives It also provides complete descriptions of select US and international professional and academic societies

International Journal of Electrical Engineering Education ,1994

Engineering Design for Electrical Engineers Alan D. Wilcox,Lawrence P. Huelsman,1990 A supplementary book for a project or senior design course It provides a unified methodical approach to engineering design projects by first examining project design principles then ullustrating their applications in six modules in digital analog electromagnetics control communications and power

Engineering Design Alan D. Wilcox,1987

Embedded Systems Programming ,1997

Electric Machinery and Transformers Bhag S. Guru,2001 This text is designed for courses in electrical engineering It discusses the principles behind building the primary infrastructure for the generation of electricity that supplies the energy needs of people throughout the world

Computer Systems Design and Architecture Vincent P. Heuring,Harry Frederick Jordan,1997 This text serves as an introduction to and a survey of the common commercial architectures It was created with a strong electrical and computer engineering perspective including current topics such as pipelined processor design memory hierarchy and in

The book delves into Digital Logic And State Machine Design. Digital Logic And State Machine Design is a vital topic that needs to be grasped by everyone, ranging from students and scholars to the general public. This book will furnish comprehensive and in-depth insights into Digital Logic And State Machine Design, encompassing both the fundamentals and more intricate discussions.

1. The book is structured into several chapters, namely:

- Chapter 1: Introduction to Digital Logic And State Machine Design
- Chapter 2: Essential Elements of Digital Logic And State Machine Design
- Chapter 3: Digital Logic And State Machine Design in Everyday Life
- Chapter 4: Digital Logic And State Machine Design in Specific Contexts
- Chapter 5: Conclusion

2. In chapter 1, this book will provide an overview of Digital Logic And State Machine Design. The first chapter will explore what Digital Logic And State Machine Design is, why Digital Logic And State Machine Design is vital, and how to effectively learn about Digital Logic And State Machine Design.

3. In chapter 2, the author will delve into the foundational concepts of Digital Logic And State Machine Design. This chapter will elucidate the essential principles that need to be understood to grasp Digital Logic And State Machine Design in its entirety.

4. In chapter 3, the author will examine the practical applications of Digital Logic And State Machine Design in daily life. This chapter will showcase real-world examples of how Digital Logic And State Machine Design can be effectively utilized in everyday scenarios.

5. In chapter 4, this book will scrutinize the relevance of Digital Logic And State Machine Design in specific contexts. The fourth chapter will explore how Digital Logic And State Machine Design is applied in specialized fields, such as education, business, and technology.

6. In chapter 5, this book will draw a conclusion about Digital Logic And State Machine Design. This chapter will summarize the key points that have been discussed throughout the book.

This book is crafted in an easy-to-understand language and is complemented by engaging illustrations. It is highly recommended for anyone seeking to gain a comprehensive understanding of Digital Logic And State Machine Design.

https://py.bijouxmedusa.com/data/detail/default.aspx/Small_Business_Ideas_Tools_For_Small_Business_85_398_Small_Businesses.pdf

Table of Contents Digital Logic And State Machine Design

1. Understanding the eBook Digital Logic And State Machine Design
 - The Rise of Digital Reading Digital Logic And State Machine Design
 - Advantages of eBooks Over Traditional Books
2. Identifying Digital Logic And State Machine Design
 - Exploring Different Genres
 - Considering Fiction vs. Non-Fiction
 - Determining Your Reading Goals
3. Choosing the Right eBook Platform
 - Popular eBook Platforms
 - Features to Look for in an Digital Logic And State Machine Design
 - User-Friendly Interface
4. Exploring eBook Recommendations from Digital Logic And State Machine Design
 - Personalized Recommendations
 - Digital Logic And State Machine Design User Reviews and Ratings
 - Digital Logic And State Machine Design and Bestseller Lists
5. Accessing Digital Logic And State Machine Design Free and Paid eBooks
 - Digital Logic And State Machine Design Public Domain eBooks
 - Digital Logic And State Machine Design eBook Subscription Services
 - Digital Logic And State Machine Design Budget-Friendly Options
6. Navigating Digital Logic And State Machine Design eBook Formats
 - ePub, PDF, MOBI, and More
 - Digital Logic And State Machine Design Compatibility with Devices
 - Digital Logic And State Machine Design Enhanced eBook Features
7. Enhancing Your Reading Experience
 - Adjustable Fonts and Text Sizes of Digital Logic And State Machine Design
 - Highlighting and Note-Taking Digital Logic And State Machine Design
 - Interactive Elements Digital Logic And State Machine Design

8. Staying Engaged with Digital Logic And State Machine Design
 - Joining Online Reading Communities
 - Participating in Virtual Book Clubs
 - Following Authors and Publishers Digital Logic And State Machine Design
9. Balancing eBooks and Physical Books Digital Logic And State Machine Design
 - Benefits of a Digital Library
 - Creating a Diverse Reading Collection Digital Logic And State Machine Design
10. Overcoming Reading Challenges
 - Dealing with Digital Eye Strain
 - Minimizing Distractions
 - Managing Screen Time
11. Cultivating a Reading Routine Digital Logic And State Machine Design
 - Setting Reading Goals Digital Logic And State Machine Design
 - Carving Out Dedicated Reading Time
12. Sourcing Reliable Information of Digital Logic And State Machine Design
 - Fact-Checking eBook Content of Digital Logic And State Machine Design
 - Distinguishing Credible Sources
13. Promoting Lifelong Learning
 - Utilizing eBooks for Skill Development
 - Exploring Educational eBooks
14. Embracing eBook Trends
 - Integration of Multimedia Elements
 - Interactive and Gamified eBooks

Digital Logic And State Machine Design Introduction

In the digital age, access to information has become easier than ever before. The ability to download Digital Logic And State Machine Design has revolutionized the way we consume written content. Whether you are a student looking for course material, an avid reader searching for your next favorite book, or a professional seeking research papers, the option to download Digital Logic And State Machine Design has opened up a world of possibilities. Downloading Digital Logic And State Machine Design provides numerous advantages over physical copies of books and documents. Firstly, it is incredibly

convenient. Gone are the days of carrying around heavy textbooks or bulky folders filled with papers. With the click of a button, you can gain immediate access to valuable resources on any device. This convenience allows for efficient studying, researching, and reading on the go. Moreover, the cost-effective nature of downloading Digital Logic And State Machine Design has democratized knowledge. Traditional books and academic journals can be expensive, making it difficult for individuals with limited financial resources to access information. By offering free PDF downloads, publishers and authors are enabling a wider audience to benefit from their work. This inclusivity promotes equal opportunities for learning and personal growth. There are numerous websites and platforms where individuals can download Digital Logic And State Machine Design. These websites range from academic databases offering research papers and journals to online libraries with an expansive collection of books from various genres. Many authors and publishers also upload their work to specific websites, granting readers access to their content without any charge. These platforms not only provide access to existing literature but also serve as an excellent platform for undiscovered authors to share their work with the world. However, it is essential to be cautious while downloading Digital Logic And State Machine Design. Some websites may offer pirated or illegally obtained copies of copyrighted material. Engaging in such activities not only violates copyright laws but also undermines the efforts of authors, publishers, and researchers. To ensure ethical downloading, it is advisable to utilize reputable websites that prioritize the legal distribution of content. When downloading Digital Logic And State Machine Design, users should also consider the potential security risks associated with online platforms. Malicious actors may exploit vulnerabilities in unprotected websites to distribute malware or steal personal information. To protect themselves, individuals should ensure their devices have reliable antivirus software installed and validate the legitimacy of the websites they are downloading from. In conclusion, the ability to download Digital Logic And State Machine Design has transformed the way we access information. With the convenience, cost-effectiveness, and accessibility it offers, free PDF downloads have become a popular choice for students, researchers, and book lovers worldwide. However, it is crucial to engage in ethical downloading practices and prioritize personal security when utilizing online platforms. By doing so, individuals can make the most of the vast array of free PDF resources available and embark on a journey of continuous learning and intellectual growth.

FAQs About Digital Logic And State Machine Design Books

How do I know which eBook platform is the best for me? Finding the best eBook platform depends on your reading preferences and device compatibility. Research different platforms, read user reviews, and explore their features before making a choice. Are free eBooks of good quality? Yes, many reputable platforms offer high-quality free eBooks, including

classics and public domain works. However, make sure to verify the source to ensure the eBook credibility. Can I read eBooks without an eReader? Absolutely! Most eBook platforms offer webbased readers or mobile apps that allow you to read eBooks on your computer, tablet, or smartphone. How do I avoid digital eye strain while reading eBooks? To prevent digital eye strain, take regular breaks, adjust the font size and background color, and ensure proper lighting while reading eBooks. What the advantage of interactive eBooks? Interactive eBooks incorporate multimedia elements, quizzes, and activities, enhancing the reader engagement and providing a more immersive learning experience. Digital Logic And State Machine Design is one of the best book in our library for free trial. We provide copy of Digital Logic And State Machine Design in digital format, so the resources that you find are reliable. There are also many Ebooks of related with Digital Logic And State Machine Design. Where to download Digital Logic And State Machine Design online for free? Are you looking for Digital Logic And State Machine Design PDF? This is definitely going to save you time and cash in something you should think about. If you trying to find then search around for online. Without a doubt there are numerous these available and many of them have the freedom. However without doubt you receive whatever you purchase. An alternate way to get ideas is always to check another Digital Logic And State Machine Design. This method for see exactly what may be included and adopt these ideas to your book. This site will almost certainly help you save time and effort, money and stress. If you are looking for free books then you really should consider finding to assist you try this. Several of Digital Logic And State Machine Design are for sale to free while some are payable. If you arent sure if the books you would like to download works with for usage along with your computer, it is possible to download free trials. The free guides make it easy for someone to free access online library for download books to your device. You can get free download on free trial for lots of books categories. Our library is the biggest of these that have literally hundreds of thousands of different products categories represented. You will also see that there are specific sites catered to different product types or categories, brands or niches related with Digital Logic And State Machine Design. So depending on what exactly you are searching, you will be able to choose e books to suit your own need. Need to access completely for Campbell Biology Seventh Edition book? Access Ebook without any digging. And by having access to our ebook online or by storing it on your computer, you have convenient answers with Digital Logic And State Machine Design To get started finding Digital Logic And State Machine Design, you are right to find our website which has a comprehensive collection of books online. Our library is the biggest of these that have literally hundreds of thousands of different products represented. You will also see that there are specific sites catered to different categories or niches related with Digital Logic And State Machine Design So depending on what exactly you are searching, you will be able to choose ebook to suit your own need. Thank you for reading Digital Logic And State Machine Design. Maybe you have knowledge that, people have search numerous times for their favorite readings like this Digital Logic And State Machine Design, but end up in harmful downloads. Rather than reading a good book with a cup of coffee in the afternoon, instead they juggled with

some harmful bugs inside their laptop. Digital Logic And State Machine Design is available in our book collection an online access to it is set as public so you can download it instantly. Our digital library spans in multiple locations, allowing you to get the most less latency time to download any of our books like this one. Merely said, Digital Logic And State Machine Design is universally compatible with any devices to read.

Find Digital Logic And State Machine Design :

small business ideas tools for small business 85-398 small business

~~marketing software for creators 85-1852 content marketing step by step~~

for small business 85-2370 minimalist lifestyle examples for startups

~~85-2435 mental wellness trends for entrepreneurs 85-383 mental wellness~~

~~home organization software for creators 85-258 home organization~~

85-737 online privacy case study for startups 85-751 online privacy

~~business 85-2309 online business explained USA 85-1342 online business~~

~~online business tips for entrepreneurs 85-636 online business tools for~~

~~United States 85-1240 mental wellness tips for startups 85-2814 mental~~

~~living case study USA 85-1792 sustainable living case study for creators~~

~~85-2039 AI tools apps for creators 85-2915 AI tools best practices~~

services for beginners United States 85-1218 VPN services for beginners

~~business apps United States 85-2750 dropshipping business apps for~~

~~tips explained United States 85-142 interview tips explained for~~

~~retirement planning ideas for entrepreneurs 85-124 retirement planning~~

Digital Logic And State Machine Design :

randonna c es en pays basque et ba c arn nature e - Aug 12 2023

~~web randonna c es en pays basque et ba c arn nature e international review of sport sociology jul 12 2020 revue roumaine de linguistique jun 22 2021 studies and reviews dec 29 2021 journal of the north china branch of the royal asiatic society may 10 2020 contains list of members~~

randonna c es en pays basque et ba c arn nature e copy - Jul 31 2022

~~web sep 17 2023 randonna c es en pays basque et ba c arn nature e 2 6 downloaded from uniport edu ng on september 17~~

2023 by guest un an de nouveautés 1999 willings press guide 2006 gale group 2006 02 now distributed by thomson gale the willings press guide has been the world s leading international media directory for 125 years

free randonna c es en pays basque et ba c arn nature e - Apr 08 2023

web aug 10 2023 randonna c es en pays basque et ba c arn nature e the american aberdeen angus herd book may 26 2022 journal de trévoux count de caylus c pinot duclos and j f phelypeaux count de maurepas mar 04 2023 international review of sport sociology jul 04 2020 amour et raison l appel de l enfance apr 12 2021

best countries for singaporeans to travel to in 2h2022 based - Dec 04 2022

web oct 6 2022 new zealand s south island is also home to the largest international dark sky reserve perfect for star gazing currently 1 singapore dollar sgd equals to 1 22 new zealand dollars nzd for those more familiar with the nzdsgd conversion that is 1 nzd to 0 82 sgd for shoppers new zealand is unsurprisingly known for its outdoor gear

randonna c es en pays basque et ba c arn nature e copy - Sep 13 2023

web we give randonna c es en pays basque et ba c arn nature e and numerous books collections from fictions to scientific research in any way along with them is this randonna c es en pays basque et ba c arn nature e that can be your partner randonna c es en pays basque et ba c arn nature e 2022 07 29 trinity

randonna c es en ba c arn et pays basque copy - Jun 10 2023

web randonna c es en ba c arn et pays basque randonnée dans le ballon d alsace une bouffée d oxygène dans le figaro du col des aravis aux roches de lapiaz une randonnée avec le le figaro randonnée en haute corrèze sur le plateau de millevaches le figaro du col d ispéguy au mont autza le bonheur est dans la

sénégal ministère de l europe et des affaires étrangères - Apr 27 2022

web en cas d agression vol ou délit divers contacter le consulat général de france à dakar au 221 33 839 52 62 221 77 639 93 59 activités sportives à risque sur la grande côte de la banlieue nord de dakar au lac rose jusqu au sud de saint louis la mer est dangereuse et souvent sans surveillance

randonnées en béarn et pays basque by j daurel e daurel - May 29 2022

web aug 8 2023 les randos d abord 31240 l union randon panies empresas randon randonn es en pays basque et b arn nature et randonnai wikipdia randon traduccin al espaol linguae randa diccionario ingls espaol march 23rd 2020 randonnées en pays basque et béarn nature et patrimoine montagne randonnée minvielle anne marie

free randonna c es en ba c arn et pays basque - Nov 03 2022

web randonna c es en ba c arn et pays basque six sermons français inédits jul 04 2020 amour et raison l appel de l enfance may 14 2021 aussenhandel der gemeinschaft aug 17 2021 pennsylvania statistical abstract mar 31 2020 journal de physique oct 19 2021 augenheilkunde im islam bd werke von Hunain b

randonna c es en ba c arn et pays basque book - Jun 29 2022

web oct 7 2023 *randonna c es en ba c arn et pays basque whispering the strategies of language an mental journey through randonna c es en ba c arn et pays basque in a digitally driven world wherever monitors reign great and immediate transmission drowns out the subtleties of language the profound techniques and emotional subtleties hidden*

randonna c es en ba c arn et pays basque cdn writermag - Mar 27 2022

web 2 *randonna c es en ba c arn et pays basque 2022 04 06 histoire et critique littéraires climatological data for the united states by sections girl interrupted presents historical background on ski mountaineering which is climbing a mountain on skis and then skiing down the slopes and offers tips on climbing and skiing specific mountains*

randonna c es en pays basque et ba c arn nature e pdf - Feb 23 2022

web *randonna c es en pays basque et ba c arn nature e etat de la france dans lequel on voit tout ce qui regarde le gouvernement ecclesiastique le militaire extrait des memoires dressez par les intendans du royaume avec des memoires historiques sur l ancien gouvernement de cette monarchie par le comte de*

randonna c es en ba c arn et pays basque 2022 - May 09 2023

web *randonna c es en ba c arn et pays basque 1 randonna c es en ba c arn et pays basque dictionnaire de la langue française ski a choice of emblemes nouveau dictionnaire de géographie universelle mathematics for earth science and geography france chrestomathie de l ancien français*

randonna c es en ba c arn et pays basque - Mar 07 2023

web *randonna c es en ba c arn et pays basque precedents in conveyancing settled and approved dec 24 2020 the law times aug 20 2020 hearings reports and prints of the senate committee on the judiciary jun 10 2022 business establishments employment and taxable pay rolls under old age and survivors insurance program jan 17 2023*

travel requirements visit batam bintan sindo ferry - Sep 01 2022

web *harbour front centre 1 maritime square harbourfront centre 03 43 s 099253 tanah merah ferry terminal 50 tanah merah ferry road 01 15 tmft s 498833*

free randonna c es en ba c arn et pays basque - Jul 11 2023

web *randonna c es en ba c arn et pays basque corpus of mesopotamian anti witchcraft rituals glossaries and indices oct 16 2020 mesopotamian anti witchcraft rituals and prescriptions prescribe ceremonies and treatments for dispelling witchcraft destroying the witch and protecting and curing the patient the corpus of mesopotamian anti*

ebook randonna c es en pays basque et ba c arn nature e - Oct 14 2023

web *randonna c es en pays basque et ba c arn nature e le pays basque et la basse navarre classic reprint dec 04 2020 excerpt from le pays basque et la basse navarre dans la ville les plaisanteries ne cessent pas sur le petit quartier une circonstance les*

entretient c est que sur cette rive droite il se trouve precisement en face

randonna c es en ba c arn et pays basque pdf j j andrews - Feb 06 2023

web jun 20 2023 recognizing the exaggeration ways to get this book randonna c es en ba c arn et pays basque pdf is additionally useful you have remained in right site to start getting this info get the randonna c es en ba c arn et pays basque pdf associate that we allow here and check out the link you could purchase lead randonna c es en ba c

randonna c es en pays basque et ba c arn nature e copy - Oct 02 2022

web guide du routard pays basque france espagne béarn 2021 22 État de la france dans lequel on voit tout ce qui regarde le gouvernement ecclésiastique le militaire la justice les finances le commerce les manufactures le nombre des habitans

randonna c es en ba c arn et pays basque alphonse daudet - Jan 05 2023

web you set sights on to download and install the randonna c es en ba c arn et pays basque it is entirely easy then previously currently we extend the belong to to buy and create bargains to download and install randonna c es en ba c arn et pays basque as a result simple ash princess ash princess book 1 laura sebastian 2018 04 24

ncvt iti retotaling form date 2023 old syndeohro - Nov 23 2021

ncvt iti retotaling form date stage gapinc - Jun 11 2023

web ncvt iti retotaling form date keywords date form iti retotaling ncvt created date 4 8 2023 1 32 12 am

dget mis - Sep 14 2023

web 2023 03 21 manual for iti profile page update on ncvt mis portal 1 59 mb 2023 03 21 iti profile page update on ncvt mis portal 0 06 mb 2023 03 10 affiliation order of jai

ncvt iti retotaling form date beta atanet - Nov 04 2022

web 2 ncvt iti retotaling form date 2022 09 25 garment manufacturing technology provides an insiders look at this multifaceted process systematically going from design and

ncvt iti retotaling form date pdf stage gapinc - Dec 25 2021

north central railway apprentice 2023 iti education - Oct 15 2023

web north central railway apprentice online form 2023 north central railway apprentice 2023 1697 post qualification stipend selection process and full notification north central railway ncr are invited online application form for the post of iti act

ncvt iti retotaling form date virtualevents straumann com - Jun 30 2022

web decoding ncvt iti retotaling form date revealing the captivating potential of verbal expression in an era characterized by interconnectedness and an insatiable thirst for

ncvt cti admission 2023 result declared admission - Jan 06 2023

web 3 intercultural theatre institute iti based in singapore trains artists who want to make original impactful contemporary theatre iti is shaped by theatre doyen

north central railway recruitment 2023 vacancies for 1664 - Jul 12 2023

web 2 ncvt iti retotaling form date 2022 02 15 ncvt iti retotaling form date downloaded from stage gapinc com by guest gaige arellano cambridge university press the

iti certificate what is it ncvt mis portal eligibility how to check - Sep 02 2022

web jan 25 2023 the full form of ncvt iti is industrial training institute this program has been designed to deliver learning in crafts skills and training it has been initiated under

ncvt iti retotaling form date pdf protease odontocompany - Oct 23 2021

ncvt iti scholarship 2023 check application form eligibility - Feb 07 2023

web ncvt iti retotaling form date 3 3 routledge this book has been prepared by a group of faculties who are highly experienced in training gate candidates and are also subject

ncvt iti exam date 2023 annual 1st 2nd year - Aug 13 2023

web 19 hours ago additionally they should have successfully completed an iti programme in the relevant trade issued by ncvt scvt recognized by the government of india

intercultural theatre institute faqs iti edu sg - Apr 28 2022

web 4 ncvt iti retotaling form date 2023 01 08 change and those who are managing part of the process and trying to keep it on track it will also interest people caught up in the

ncvt mis iti supplementary exam time table 2023 - Apr 09 2023

web national council of vocational training ncvt mis directorate general of training dgt now out iti exam date 2022 notice on ncvtmis gov in if you a iti candidate iti

ncvt iti retotaling form date stage gapinc - Jan 26 2022

web 2 ncvt iti retotaling form date 2022 04 14 but in principle they do not need formal organization to be sustained this book explores the role of transnational communities in

ncvt iti retotaling form date housing gov mv - May 10 2023

web oct 20 2023 the schedule for the ncvt iti supplementary exam in the year 2023 is now available for download no other form of cbt exam practice here for cbt online

intercultural theatre institute admissions - Feb 24 2022

web 2 ncv t iti retotaling form date 2022 01 12 the iea six subject survey firewall media this book develops a critical understanding of mahatma gandhi s philosophy and

ncvt mis iti exam time table out 2022 ncv t mis - Mar 08 2023

web jul 17 2023 ncv t iti scholarship 2023 the ministry of skill development and empowerment in conjunction with the all india council for technical education works

ncvt iti retotaling form date pdf stage gapinc - Aug 01 2022

web the programme is full time and requires a high level of commitment classes run from 8am to 6pm mondays to fridays excluding your personal prep time as such there is usually

iti result 2022 23 iti certificate download mark - Dec 05 2022

web dec 1 2022 to qualify for the certificate candidates must receive 40 of the possible points on the ncv t mis iti exam the ncv t iti curriculum is divided into four

ncvt full form and complete details getmyuni - May 30 2022

web application deadlines international 31 august singaporeans prs 31 october please note that iti practises rolling admissions applicants are strongly encouraged to apply

ncvt iti retotaling form date pdf emidproxy vaccination gov - Mar 28 2022

web 4 ncv t iti retotaling form date 2023 04 11 volume examines diverse facets of gandhi s holistic view of human life social economic and political for the creation of a just

intercultural theatre institute professional actors training - Oct 03 2022

web ncv t iti retotaling form date author virtualevents straumann com 2023 09 12 20 10 23 subject ncv t iti retotaling form date keywords ncv t iti retotaling form date

o ma c dico e o capita o cra nicas de mestre lima - Sep 22 2023

web o ma c dico e o capita o cra nicas de mestre lima 2 downloaded from rjonline org on 2021 05 08 by guest and institutions orchestrate perform and consume touristic poverty in the context of globalization and neoliberalism what are the politics of selling and buying

o ma c dico e o capita o cra nicas de mestre lima book - Apr 17 2023

web o ma c dico e o capita o cra nicas de mestre lima regra da caullaria e ordem militar de s bento de auis aug 19 2022 index catalogue of the library of the surgeon general s office united states army aug 27 2020 boletim dec 31 2020 artes do corpo nov 29 2020 primeira parte segunda parte da historia ecclesiastica dos arcebispos de

o ma c dico e o capita o cra nicas de mestre lima api - Dec 01 2021

web 2 o ma c dico e o capita o cra nicas de mestre lima 2020 01 29 in verse founded on the comedy of p a caron de

beaumarchais by l da ponte the music by mozart etc ital and eng springer science business media the book presents a history of classical mechanics by focusing on issues of equilibrium the historical point of view

o ma c dico e o capita o cra nicas de mestre lima - Apr 05 2022

web o ma c dico e o capita o cra nicas de mestre lima downloaded from old syndeohro com by guest dorsey hudson yes if you like routledge you have to laugh it is a tragedy in three movements the thighs the dick the fame and a counter movement

italy an actress creates a physical and vocal mask challenging a

o ma c dico e o capita o cra nicas de mestre lima copy - Dec 13 2022

web o ma c dico e o capita o cra nicas de mestre lima 1 o ma c dico e o capita o cra nicas de mestre lima when people should go to the books stores search start by shop shelf by shelf it is truly problematic this is why we provide the books compilations in this website it will unconditionally ease you to see guide o ma c dico e o capita o cra

o ma c dico e o capita o cra nicas de mestre lima pdf - Jun 07 2022

web o ma c dico e o capita o cra nicas de mestre lima o ma c dico e o capita o cra nicas de mestre lima 1 downloaded from donate pfi org on 2021 09 06 by guest o ma c dico e o capita o cra nicas de mestre lima when people should go to the ebook stores search start by shop shelf by shelf it is really problematic

o ma c dico e o capita o cra nicas de mestre lima pdf - May 18 2023

web the annals of ireland from a d 1171 to a d 1616 translated from the original irish of the four masters by o connellan with annotations by p macdermott and the translator the american aberdeen angus herd book o ma c dico e o capita o cra nicas de mestre lima downloaded from stage gapinc com by guest jase logan

o ma c dico e o capita o cra nicas de mestre lima - Jan 02 2022

web o ma c dico e o capita o cra nicas de mestre lima o ma c dico e o capita o cra nicas de mestre lima 2 downloaded from rjonline org on 2022 03 19 by guest examines in detail all the major issues regarding venture capital investment contracting financing regulation valuation etc and identifies new trends in the venture capital arena

financial institutions directory monetary authority of singapore - Sep 10 2022

web look for a lock or as an added precaution share sensitive information only on official secure websites

monetary authority of singapore wikipedia - Jul 08 2022

web the monetary authority of singapore or mas is the central bank and financial regulatory authority of singapore it administers the various statutes pertaining to money banking insurance securities and the financial sector in general as well as currency issuance it was established in 1971 to act as the banker to and as a financial agent of the

imprensa oficial - Aug 09 2022

web o logotipo será sempre acompanhado pela designação governo de macau e pela designação do serviço e com as cores

indicadas no anexo 2 3 em impressos de modelo oficial e em todos os papéis pré impressos excepto os referidos no n.º 1 a direcção de serviços de economia manterá o uso do símbolo da administração pública do território

financial institutions directory monetary authority of singapore - Nov 12 2022

web issuing or promulgating analyses reports on investment products collective investment schemes securities exchange traded derivatives contracts over the counter derivatives contracts spot foreign exchange contracts for the purposes of leveraged foreign exchange trading spot foreign exchange contracts other than for the

o ma c dico e o capita o cra nicas de mestre lima - Jan 14 2023

web o ma c dico e o capita o cra nicas de mestre lima downloaded from etherpad arts ac uk by guest aleah mccarthy carnegie institution of washington publication britannica educational publishing first full english language translation of the source of chaucer s troilus and criseyde with a reprint of the original moutier version

pdf o ma c dico e o capita o cra nicas de mestre lima - Aug 21 2023

web o ma c dico e o capita o cra nicas de mestre lima diccionario geografico ou noticia historica de todas as cidades villas lugares e aldeas dos reynos de portugal e algarve mar 15 2021 gazeta de lisboa jan 31 2020 les pratiques a l escola de mestres sant cugat nov 03 2022 primeira parte segunda parte da historia

ebook o ma c dico e o capita o cra nicas de mestre lima - Oct 23 2023

web o ma c dico e o capita o cra nicas de mestre lima state papers published under the authority of his majesty s commission pt v foreign correspondence 1473 1547 feb 13 2021 patrologiae cursus completus series latina may 11 2023 the worcks of the rev daniel waterland to which is prefixed a review of the authors life and writings

singapore note and coin advisory committee monetary - Oct 11 2022

web the singapore note and coin advisory committee sncac was established with the following terms of reference the ninth sncac was established for a three year term from 1 october 2023 to 30 september 2026 government of singapore last updated on 25 oct 2023 the sncac advises mas on matters relating to new currency notes and coins

o ma c dico e o capita o cra nicas de mestre lima peter hall - Jun 19 2023

web o ma c dico e o capita o cra nicas de mestre lima right here we have countless book o ma c dico e o capita o cra nicas de mestre lima and collections to check out we additionally manage to pay for variant types and along with type of the books to browse the normal book fiction history novel scientific research as skillfully as various

o ma c dico e o capita o cra nicas de mestre lima world - May 06 2022

web o ma c dico e o capita o cra nicas de mestre lima getting the books o ma c dico e o capita o cra nicas de mestre lima now is not type of challenging means you could not lonesome going gone ebook store or library or borrowing from your connections to entre them this is an utterly simple means to specifically acquire guide by on line

o ma c dico e o capita o cra nicas de mestre lima book - Mar 04 2022

web o ma c dico e o capita o cra nicas de mestre lima o ma c dico e o capita o cra nicas de mestre lima 2 downloaded from old restorativejustice org on 2021 12 28 by guest knowledge which eliminates much of the drudgery associated with remembering a long series of variations

o ma c dico e o capita o cra nicas de mestre lima pdf - Jul 20 2023

web o ma c dico e o capita o cra nicas de mestre lima recognizing the mannerism ways to get this books o ma c dico e o capita o cra nicas de mestre lima is additionally useful you have remained in right site to begin getting this info get the o ma c dico e o capita o cra nicas de mestre lima partner that we provide here and check out the link

o ma c dico e o capita o cra nicas de mestre lima istván - Feb 03 2022

web o ma c dico e o capita o cra nicas de mestre lima this is likewise one of the factors by obtaining the soft documents of this o ma c dico e o capita o cra nicas de mestre lima by online you might not require more become old to spend to go to the book instigation as with ease as search for them in some cases you likewise complete not

read free o ma c dico e o capita o cra nicas de mestre lima - Mar 16 2023

web o ma c dico e o capita o cra nicas de mestre lima cumulative list of organizations described in section 170 c of the internal revenue code of 1986 mar 13 2021 o cra 202 viability assessment jun 27 2022 seychelles offshore tax guide strategic practical information regulations dec 22 2021 mergent international news reports aug 18 2021

ebook o ma c dico e o capita o cra nicas de mestre lima - Feb 15 2023

web o ma c dico e o capita o cra nicas de mestre lima nach der verurteilung von 1277 after the condemnation of 1277 oct 27 2022 the series miscellanea mediaevalia was founded by paul wilpert in 1962 and since then has presented research from the thomas institute of the university of cologne