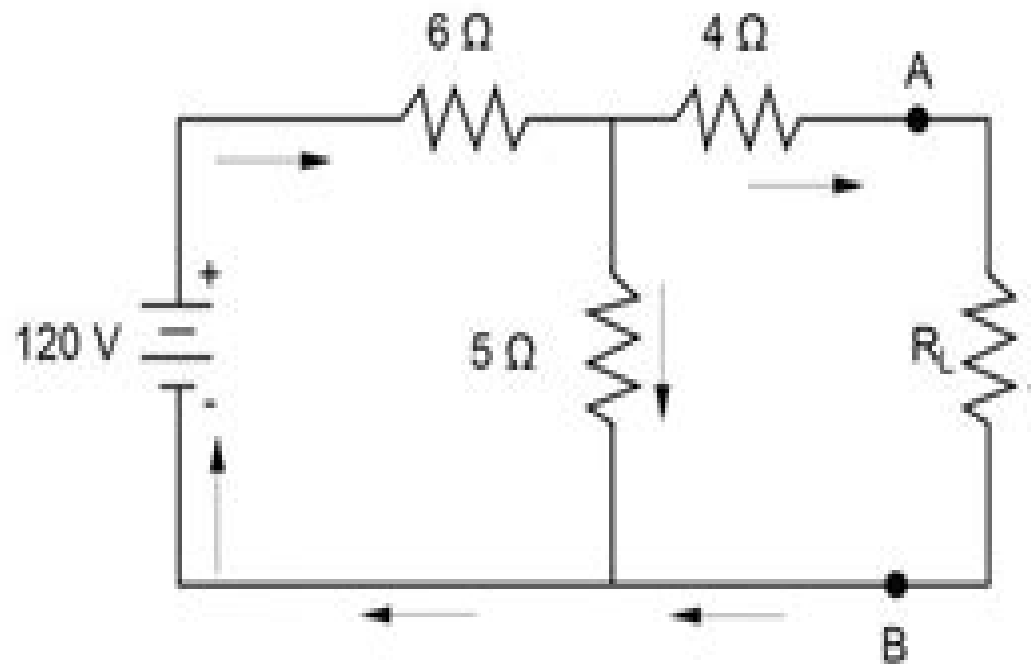


Find the Thevenin equivalent voltage and resistance for the following circuit. The load resistance is shown as R_L .



(a) $V_{TH} = 45.5 \text{ V}; R_{TH} = 6.7 \Omega$

(b) $V_{TH} = 54.5 \text{ V}; R_{TH} = 6.7 \Omega$

(c) $V_{TH} = 45.4 \text{ V}; R_{TH} = 9 \Omega$

(d) $V_{TH} = 54.5 \text{ V}; R_{TH} = 9 \Omega$

Circuit Analysis Practice Exam

AN Whitehead



Circuit Analysis Practice Exam:

Immerse yourself in the artistry of words with Experience Art with its expressive creation, Discover the Artistry of **Circuit Analysis Practice Exam** . This ebook, presented in a PDF format (PDF Size: *), is a masterpiece that goes beyond conventional storytelling. Indulge your senses in prose, poetry, and knowledge. Download now to let the beauty of literature and artistry envelop your mind in a unique and expressive way.

<https://py.bijouxmedusa.com/results/Resources/Documents/Minimalist%20Lifestyle%20Step%20By%20Step%20USA%2065%201869%20Minimalist%20Lifestyle%20Step.pdf>

Table of Contents Circuit Analysis Practice Exam

1. Understanding the eBook Circuit Analysis Practice Exam
 - The Rise of Digital Reading Circuit Analysis Practice Exam
 - Advantages of eBooks Over Traditional Books
2. Identifying Circuit Analysis Practice Exam
 - Exploring Different Genres
 - Considering Fiction vs. Non-Fiction
 - Determining Your Reading Goals
3. Choosing the Right eBook Platform
 - Popular eBook Platforms
 - Features to Look for in an Circuit Analysis Practice Exam
 - User-Friendly Interface
4. Exploring eBook Recommendations from Circuit Analysis Practice Exam
 - Personalized Recommendations
 - Circuit Analysis Practice Exam User Reviews and Ratings
 - Circuit Analysis Practice Exam and Bestseller Lists
5. Accessing Circuit Analysis Practice Exam Free and Paid eBooks
 - Circuit Analysis Practice Exam Public Domain eBooks
 - Circuit Analysis Practice Exam eBook Subscription Services

- Circuit Analysis Practice Exam Budget-Friendly Options
- 6. Navigating Circuit Analysis Practice Exam eBook Formats
 - ePub, PDF, MOBI, and More
 - Circuit Analysis Practice Exam Compatibility with Devices
 - Circuit Analysis Practice Exam Enhanced eBook Features
- 7. Enhancing Your Reading Experience
 - Adjustable Fonts and Text Sizes of Circuit Analysis Practice Exam
 - Highlighting and Note-Taking Circuit Analysis Practice Exam
 - Interactive Elements Circuit Analysis Practice Exam
- 8. Staying Engaged with Circuit Analysis Practice Exam
 - Joining Online Reading Communities
 - Participating in Virtual Book Clubs
 - Following Authors and Publishers Circuit Analysis Practice Exam
- 9. Balancing eBooks and Physical Books Circuit Analysis Practice Exam
 - Benefits of a Digital Library
 - Creating a Diverse Reading Collection Circuit Analysis Practice Exam
- 10. Overcoming Reading Challenges
 - Dealing with Digital Eye Strain
 - Minimizing Distractions
 - Managing Screen Time
- 11. Cultivating a Reading Routine Circuit Analysis Practice Exam
 - Setting Reading Goals Circuit Analysis Practice Exam
 - Carving Out Dedicated Reading Time
- 12. Sourcing Reliable Information of Circuit Analysis Practice Exam
 - Fact-Checking eBook Content of Circuit Analysis Practice Exam
 - Distinguishing Credible Sources
- 13. Promoting Lifelong Learning
 - Utilizing eBooks for Skill Development
 - Exploring Educational eBooks
- 14. Embracing eBook Trends

- Integration of Multimedia Elements
- Interactive and Gamified eBooks

Circuit Analysis Practice Exam Introduction

Free PDF Books and Manuals for Download: Unlocking Knowledge at Your Fingertips In today's fast-paced digital age, obtaining valuable knowledge has become easier than ever. Thanks to the internet, a vast array of books and manuals are now available for free download in PDF format. Whether you are a student, professional, or simply an avid reader, this treasure trove of downloadable resources offers a wealth of information, conveniently accessible anytime, anywhere. The advent of online libraries and platforms dedicated to sharing knowledge has revolutionized the way we consume information. No longer confined to physical libraries or bookstores, readers can now access an extensive collection of digital books and manuals with just a few clicks. These resources, available in PDF, Microsoft Word, and PowerPoint formats, cater to a wide range of interests, including literature, technology, science, history, and much more. One notable platform where you can explore and download free Circuit Analysis Practice Exam PDF books and manuals is the internet's largest free library. Hosted online, this catalog compiles a vast assortment of documents, making it a veritable goldmine of knowledge. With its easy-to-use website interface and customizable PDF generator, this platform offers a user-friendly experience, allowing individuals to effortlessly navigate and access the information they seek. The availability of free PDF books and manuals on this platform demonstrates its commitment to democratizing education and empowering individuals with the tools needed to succeed in their chosen fields. It allows anyone, regardless of their background or financial limitations, to expand their horizons and gain insights from experts in various disciplines. One of the most significant advantages of downloading PDF books and manuals lies in their portability. Unlike physical copies, digital books can be stored and carried on a single device, such as a tablet or smartphone, saving valuable space and weight. This convenience makes it possible for readers to have their entire library at their fingertips, whether they are commuting, traveling, or simply enjoying a lazy afternoon at home. Additionally, digital files are easily searchable, enabling readers to locate specific information within seconds. With a few keystrokes, users can search for keywords, topics, or phrases, making research and finding relevant information a breeze. This efficiency saves time and effort, streamlining the learning process and allowing individuals to focus on extracting the information they need. Furthermore, the availability of free PDF books and manuals fosters a culture of continuous learning. By removing financial barriers, more people can access educational resources and pursue lifelong learning, contributing to personal growth and professional development. This democratization of knowledge promotes intellectual curiosity and empowers individuals to become lifelong learners, promoting progress and innovation in various fields. It is worth noting that while accessing free Circuit Analysis Practice Exam PDF books and manuals is convenient and cost-effective, it is vital to

respect copyright laws and intellectual property rights. Platforms offering free downloads often operate within legal boundaries, ensuring that the materials they provide are either in the public domain or authorized for distribution. By adhering to copyright laws, users can enjoy the benefits of free access to knowledge while supporting the authors and publishers who make these resources available. In conclusion, the availability of Circuit Analysis Practice Exam free PDF books and manuals for download has revolutionized the way we access and consume knowledge. With just a few clicks, individuals can explore a vast collection of resources across different disciplines, all free of charge. This accessibility empowers individuals to become lifelong learners, contributing to personal growth, professional development, and the advancement of society as a whole. So why not unlock a world of knowledge today? Start exploring the vast sea of free PDF books and manuals waiting to be discovered right at your fingertips.

FAQs About Circuit Analysis Practice Exam Books

How do I know which eBook platform is the best for me? Finding the best eBook platform depends on your reading preferences and device compatibility. Research different platforms, read user reviews, and explore their features before making a choice. Are free eBooks of good quality? Yes, many reputable platforms offer high-quality free eBooks, including classics and public domain works. However, make sure to verify the source to ensure the eBook credibility. Can I read eBooks without an eReader? Absolutely! Most eBook platforms offer webbased readers or mobile apps that allow you to read eBooks on your computer, tablet, or smartphone. How do I avoid digital eye strain while reading eBooks? To prevent digital eye strain, take regular breaks, adjust the font size and background color, and ensure proper lighting while reading eBooks. What the advantage of interactive eBooks? Interactive eBooks incorporate multimedia elements, quizzes, and activities, enhancing the reader engagement and providing a more immersive learning experience. Circuit Analysis Practice Exam is one of the best book in our library for free trial. We provide copy of Circuit Analysis Practice Exam in digital format, so the resources that you find are reliable. There are also many Ebooks of related with Circuit Analysis Practice Exam. Where to download Circuit Analysis Practice Exam online for free? Are you looking for Circuit Analysis Practice Exam PDF? This is definitely going to save you time and cash in something you should think about. If you trying to find then search around for online. Without a doubt there are numerous these available and many of them have the freedom. However without doubt you receive whatever you purchase. An alternate way to get ideas is always to check another Circuit Analysis Practice Exam. This method for see exactly what may be included and adopt these ideas to your book. This site will almost certainly help you save time and effort, money and stress. If you are looking for free books then you really should consider finding to assist you try this. Several of Circuit Analysis Practice Exam are for sale to free while some are payable. If you arent sure if the books you

would like to download works with for usage along with your computer, it is possible to download free trials. The free guides make it easy for someone to free access online library for download books to your device. You can get free download on free trial for lots of books categories. Our library is the biggest of these that have literally hundreds of thousands of different products categories represented. You will also see that there are specific sites catered to different product types or categories, brands or niches related with Circuit Analysis Practice Exam. So depending on what exactly you are searching, you will be able to choose e books to suit your own need. Need to access completely for Campbell Biology Seventh Edition book? Access Ebook without any digging. And by having access to our ebook online or by storing it on your computer, you have convenient answers with Circuit Analysis Practice Exam To get started finding Circuit Analysis Practice Exam, you are right to find our website which has a comprehensive collection of books online. Our library is the biggest of these that have literally hundreds of thousands of different products represented. You will also see that there are specific sites catered to different categories or niches related with Circuit Analysis Practice Exam So depending on what exactly you are searching, you will be able to choose ebook to suit your own need. Thank you for reading Circuit Analysis Practice Exam. Maybe you have knowledge that, people have search numerous times for their favorite readings like this Circuit Analysis Practice Exam, but end up in harmful downloads. Rather than reading a good book with a cup of coffee in the afternoon, instead they juggled with some harmful bugs inside their laptop. Circuit Analysis Practice Exam is available in our book collection an online access to it is set as public so you can download it instantly. Our digital library spans in multiple locations, allowing you to get the most less latency time to download any of our books like this one. Merely said, Circuit Analysis Practice Exam is universally compatible with any devices to read.

Find Circuit Analysis Practice Exam :

minimalist lifestyle step by step USA 65-1869 minimalist lifestyle step

cybersecurity blueprint for small business 65-1459 cybersecurity

for creators 65-2796 data science careers step by step for small

for creators 65-1139 self improvement examples for entrepreneurs 65-833

States 65-1278 self improvement case study for small business 65-1787

practices for small business 65-1937 wearable technology blueprint

YouTube growth strategies for entrepreneurs 65-2730 YouTube growth tips

wearable technology strategies for small business 65-2419 wearable

electric vehicles guide for startups 65-2093 electric vehicles ideas

monetization tools America 65-940 blog monetization tools for creators

strategies America 65-1379 retirement planning strategies America
for entrepreneurs 65-1389 mental wellness tools for startups 65-176
data science careers case study for entrepreneurs 65-1128 data science
65-2144 personal finance review USA 65-607 personal finance review
America 65-1414 YouTube growth step by step United States 65-1469

Circuit Analysis Practice Exam :

Criminological Theory Context and Consequences Updated Edition of a Best-Seller! Offering a rich introduction to how scholars analyze crime, Criminological Theory: Context and Consequences moves readers ... Criminological Theory: Context and Consequences ... Offering a rich introduction to how scholars analyze crime, Criminological Theory: Context and Consequences moves readers beyond a commonsense knowledge of ... Criminological Theory: Context and Consequences Offering a rich introduction to how scholars analyze crime, Criminological Theory: Context and Consequences moves readers beyond a commonsense knowledge of ... Criminological Theory: Context and Consequences by JR Lilly · Cited by 1560 — A review of early efforts to explain criminal behavior focuses on attempts to posit crime causes in individuals: in their souls, their wills, ... Criminological Theory: Context and Consequences Criminological Theory: Context and Consequences, Fourth Edition shows the real-world relevance of theory ... Robert Lilly, Francis T. Cullen, Richard A. Ball. Criminological Theory 7th edition 9781506387307 Criminological Theory: Context and Consequences 7th Edition is written by J. Robert Lilly; Francis T. Cullen; Richard A. Ball and published by SAGE ... Criminological Theory: Context and Consequences ... The remainder of the volume describes criminology mainly in the US, examining recent changes in crime patterns, new material on various theories, and an ... Criminological theory: Context and consequences, 4th ed. by JR Lilly · 2007 · Cited by 1560 — This book represents the fourth edition of a textbook for advanced undergraduate and graduate students studying criminological theory in departments of ... Criminological Theory: Context and Consequences Criminological Theory: Context and Consequences · J. Robert Lilly, Francis T ... Robert Lilly is Regents Professor of Sociology/Criminology Emeritus at Northern ... Criminological Theory: Context and Consequences ... Fundamentals of Research in Criminology and Criminal Justice: With Selected Readings, Paperback, 1 Edition by Bachman, Ronet D. Bachman, Ronet D. \$180.00 USD. The Myth of Multitasking: How "Doing It... by Crenshaw, Dave This simple yet powerful book shows clearly why multitasking is, in fact, a lie that wastes time and costs money. The Myth of Multitasking: How "Doing It All" Gets Nothing ... Through anecdotal and real-world examples, The Myth of Multitasking proves that multitasking hurts your focus and productivity. Instead, learn how to be more ... The Myth of Multitasking: How "Doing It All" Gets Nothing ... This simple yet powerful book shows clearly why multitasking is, in fact, a lie that wastes time and costs money. Far from being efficient, multitasking ... The Myth of Multitasking: How "Doing

It All" Gets Nothing ... Through anecdotal and real-world examples, The Myth of Multitasking proves that multitasking hurts your focus and productivity. Instead, learn how to be more ... The myth of multitasking: How doing it all gets nothing done Aug 21, 2008 — Multitasking is a misnomer, Crenshaw argues in his new book. In fact, he says, multitasking is a lie. No — multitasking is worse than a lie. The Myth of Multitasking: How 'Doing It All' Gets Nothing Done This simple yet powerful book shows clearly why multitasking is, in fact, a lie that wastes time and costs money. Far from being efficient, multitasking ... The Myth of Multitasking - With Dave Crenshaw - Mind Tools The name of Dave's book again is "The Myth of Multitasking: How Doing It All Gets Nothing Done ." There's more information about Dave and his work at his ... The Myth of Multitasking: How "Doing It All" Gets Nothing Done This simple yet powerful book shows clearly why multitasking is, in fact, a lie that wastes time and costs money. Far from being efficient, multitasking ... The Myth of Multitasking: How "Doing It All" Gets Nothing Done Productivity and effective time management end with multitasking. The false idea that multitasking is productive has become even more prevalent and damaging to ... Test Bank for Lehninger Principles of Biochemistry 6th ... Mar 26, 2019 — Test Bank for Lehninger Principles of Biochemistry 6th Edition by Nelson Cox · 1. Phospholipase A1 hydrolyzes the fatty acid from the 1-position ... Test Bank for Lehninger Principles of Biochemistry 6th ... Mar 26, 2019 — Lehninger Principles of Biochemistry Language: English ISBN-10: 1429234148 ISBN-13: 978-1429234146 ISBN-13: 9781429234146. Test Bank For Lehninger Principles of Biochemistry 6th ... Oct 28, 2023 — Test Bank For Lehninger Principles of Biochemistry 6th Edition By Favid L. Nelson, Micheal M. Cox| All Chapters| Complete Questions and Answers ... Test Bank for Lehninger Principles of Biochemistry 6th Test Bank for Lehninger Principles of Biochemistry 6th. Edition Nelson Cox 1429234148 9781429234146. Download full test bank at: . lehninger principles of biochemistry test bank pdf ... View Assessment - lehninger principles of biochemistry test bank pdf (PDFDrive.com).pdf from CHEMISTRY BCHELE2 at De La Salle University. Test Bank for Lehninger Principles of Biochemistry 6e ... May 29, 2019 — Test Bank for Lehninger Principles of Biochemistry 6e Nelson - Download as a PDF or view online for free. PDF LEHNINGER PRINCIPLES OF BIOCHEMISTRY TEST ... Biochemistry Lehninger Test Bank Pdfsdocumentscom eBooks is available in digital format. [PDF] TEST BANK LEHNINGER PRINCIPLES BIOCHEMISTRY 6TH EDITION Are you ... Lehninger-principles-of-biochemistry-test-bank-ch-6pdf ... Chapter 6 Enzymes. Multiple Choice Questions. 1. An introduction to enzymes ... A) enzyme specificity is induced by enzyme-substrate binding. B) enzyme ... Lehninger Principles of Biochemistry 6th Edition Nelson ... May 23, 2023 — Lehninger Principles of Biochemistry 6th Edition Nelson Test Bank Chapters 1 -28 Updated. Preview 6 out of 414 pages. View Example. Biochemistry Lehninger Principles Of Biochemistry 6th Edition By David L. Nelson - Test Bank. \$35.00 \$25.00.