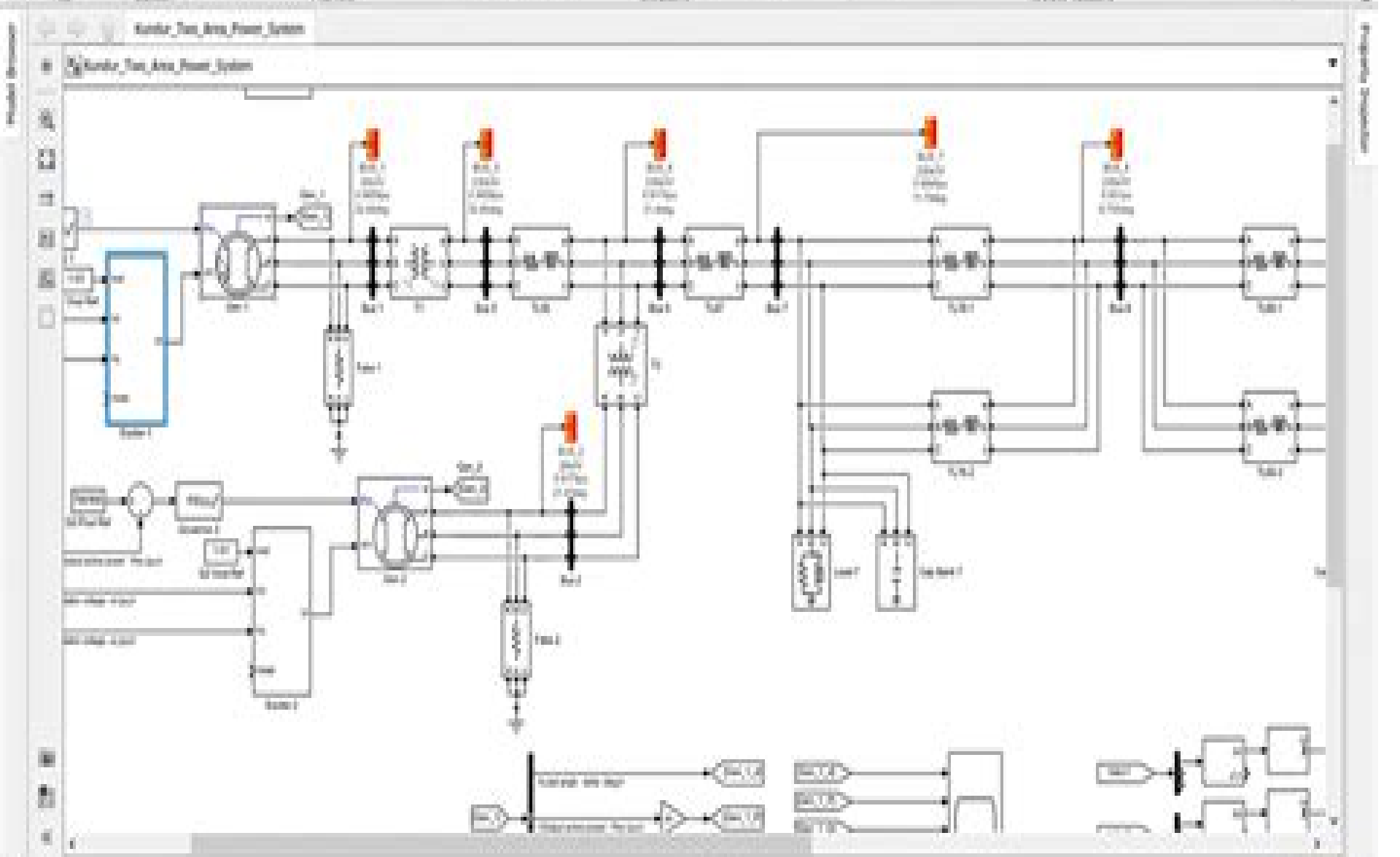


SIMULATION DESIG MODELING POWER APPS **BACK**

File Edit View Tools Help

Library Browser Stop Time: 100 Stop Back Run Stop Forward Inspector

LIBRARY POWER SIMULINK WITH RESULTS



Matlab Applications In Electrical Engineering

Naser Mahdavi Tabatabaei, Nicu Bizon

Matlab Applications In Electrical Engineering:

The book delves into Matlab Applications In Electrical Engineering. Matlab Applications In Electrical Engineering is a vital topic that needs to be grasped by everyone, ranging from students and scholars to the general public. The book will furnish comprehensive and in-depth insights into Matlab Applications In Electrical Engineering, encompassing both the fundamentals and more intricate discussions.

1. This book is structured into several chapters, namely:
 - Chapter 1: Introduction to Matlab Applications In Electrical Engineering
 - Chapter 2: Essential Elements of Matlab Applications In Electrical Engineering
 - Chapter 3: Matlab Applications In Electrical Engineering in Everyday Life
 - Chapter 4: Matlab Applications In Electrical Engineering in Specific Contexts
 - Chapter 5: Conclusion
 2. In chapter 1, this book will provide an overview of Matlab Applications In Electrical Engineering. The first chapter will explore what Matlab Applications In Electrical Engineering is, why Matlab Applications In Electrical Engineering is vital, and how to effectively learn about Matlab Applications In Electrical Engineering.
 3. In chapter 2, the author will delve into the foundational concepts of Matlab Applications In Electrical Engineering. The second chapter will elucidate the essential principles that need to be understood to grasp Matlab Applications In Electrical Engineering in its entirety.
 4. In chapter 3, this book will examine the practical applications of Matlab Applications In Electrical Engineering in daily life. The third chapter will showcase real-world examples of how Matlab Applications In Electrical Engineering can be effectively utilized in everyday scenarios.
 5. In chapter 4, the author will scrutinize the relevance of Matlab Applications In Electrical Engineering in specific contexts. This chapter will explore how Matlab Applications In Electrical Engineering is applied in specialized fields, such as education, business, and technology.
 6. In chapter 5, this book will draw a conclusion about Matlab Applications In Electrical Engineering. This chapter will summarize the key points that have been discussed throughout the book.
- This book is crafted in an easy-to-understand language and is complemented by engaging illustrations. This book is highly recommended for anyone seeking to gain a comprehensive understanding of Matlab Applications In Electrical Engineering.

https://py.bijouxmedusa.com/public/detail/fetch.php/entrepreneurs_67_2105_seo_strategy_software_for_entrepreneurs_67_2676.pdf

Table of Contents Matlab Applications In Electrical Engineering

1. Understanding the eBook Matlab Applications In Electrical Engineering
 - The Rise of Digital Reading Matlab Applications In Electrical Engineering
 - Advantages of eBooks Over Traditional Books
2. Identifying Matlab Applications In Electrical Engineering
 - Exploring Different Genres
 - Considering Fiction vs. Non-Fiction
 - Determining Your Reading Goals
3. Choosing the Right eBook Platform
 - Popular eBook Platforms
 - Features to Look for in an Matlab Applications In Electrical Engineering
 - User-Friendly Interface
4. Exploring eBook Recommendations from Matlab Applications In Electrical Engineering
 - Personalized Recommendations
 - Matlab Applications In Electrical Engineering User Reviews and Ratings
 - Matlab Applications In Electrical Engineering and Bestseller Lists
5. Accessing Matlab Applications In Electrical Engineering Free and Paid eBooks
 - Matlab Applications In Electrical Engineering Public Domain eBooks
 - Matlab Applications In Electrical Engineering eBook Subscription Services
 - Matlab Applications In Electrical Engineering Budget-Friendly Options
6. Navigating Matlab Applications In Electrical Engineering eBook Formats
 - ePub, PDF, MOBI, and More
 - Matlab Applications In Electrical Engineering Compatibility with Devices
 - Matlab Applications In Electrical Engineering Enhanced eBook Features
7. Enhancing Your Reading Experience
 - Adjustable Fonts and Text Sizes of Matlab Applications In Electrical Engineering
 - Highlighting and Note-Taking Matlab Applications In Electrical Engineering
 - Interactive Elements Matlab Applications In Electrical Engineering

8. Staying Engaged with Matlab Applications In Electrical Engineering
 - Joining Online Reading Communities
 - Participating in Virtual Book Clubs
 - Following Authors and Publishers Matlab Applications In Electrical Engineering
9. Balancing eBooks and Physical Books Matlab Applications In Electrical Engineering
 - Benefits of a Digital Library
 - Creating a Diverse Reading Collection Matlab Applications In Electrical Engineering
10. Overcoming Reading Challenges
 - Dealing with Digital Eye Strain
 - Minimizing Distractions
 - Managing Screen Time
11. Cultivating a Reading Routine Matlab Applications In Electrical Engineering
 - Setting Reading Goals Matlab Applications In Electrical Engineering
 - Carving Out Dedicated Reading Time
12. Sourcing Reliable Information of Matlab Applications In Electrical Engineering
 - Fact-Checking eBook Content of Matlab Applications In Electrical Engineering
 - Distinguishing Credible Sources
13. Promoting Lifelong Learning
 - Utilizing eBooks for Skill Development
 - Exploring Educational eBooks
14. Embracing eBook Trends
 - Integration of Multimedia Elements
 - Interactive and Gamified eBooks

Matlab Applications In Electrical Engineering Introduction

Free PDF Books and Manuals for Download: Unlocking Knowledge at Your Fingertips In todays fast-paced digital age, obtaining valuable knowledge has become easier than ever. Thanks to the internet, a vast array of books and manuals are now available for free download in PDF format. Whether you are a student, professional, or simply an avid reader, this treasure trove of downloadable resources offers a wealth of information, conveniently accessible anytime, anywhere. The advent of online libraries and platforms dedicated to sharing knowledge has revolutionized the way we consume information.

No longer confined to physical libraries or bookstores, readers can now access an extensive collection of digital books and manuals with just a few clicks. These resources, available in PDF, Microsoft Word, and PowerPoint formats, cater to a wide range of interests, including literature, technology, science, history, and much more. One notable platform where you can explore and download free Matlab Applications In Electrical Engineering PDF books and manuals is the internet's largest free library. Hosted online, this catalog compiles a vast assortment of documents, making it a veritable goldmine of knowledge. With its easy-to-use website interface and customizable PDF generator, this platform offers a user-friendly experience, allowing individuals to effortlessly navigate and access the information they seek. The availability of free PDF books and manuals on this platform demonstrates its commitment to democratizing education and empowering individuals with the tools needed to succeed in their chosen fields. It allows anyone, regardless of their background or financial limitations, to expand their horizons and gain insights from experts in various disciplines. One of the most significant advantages of downloading PDF books and manuals lies in their portability. Unlike physical copies, digital books can be stored and carried on a single device, such as a tablet or smartphone, saving valuable space and weight. This convenience makes it possible for readers to have their entire library at their fingertips, whether they are commuting, traveling, or simply enjoying a lazy afternoon at home. Additionally, digital files are easily searchable, enabling readers to locate specific information within seconds. With a few keystrokes, users can search for keywords, topics, or phrases, making research and finding relevant information a breeze. This efficiency saves time and effort, streamlining the learning process and allowing individuals to focus on extracting the information they need. Furthermore, the availability of free PDF books and manuals fosters a culture of continuous learning. By removing financial barriers, more people can access educational resources and pursue lifelong learning, contributing to personal growth and professional development. This democratization of knowledge promotes intellectual curiosity and empowers individuals to become lifelong learners, promoting progress and innovation in various fields. It is worth noting that while accessing free Matlab Applications In Electrical Engineering PDF books and manuals is convenient and cost-effective, it is vital to respect copyright laws and intellectual property rights. Platforms offering free downloads often operate within legal boundaries, ensuring that the materials they provide are either in the public domain or authorized for distribution. By adhering to copyright laws, users can enjoy the benefits of free access to knowledge while supporting the authors and publishers who make these resources available. In conclusion, the availability of Matlab Applications In Electrical Engineering free PDF books and manuals for download has revolutionized the way we access and consume knowledge. With just a few clicks, individuals can explore a vast collection of resources across different disciplines, all free of charge. This accessibility empowers individuals to become lifelong learners, contributing to personal growth, professional development, and the advancement of society as a whole. So why not unlock a world of knowledge today? Start exploring the vast sea of free PDF books and manuals waiting to be discovered right at your fingertips.

FAQs About Matlab Applications In Electrical Engineering Books

What is a Matlab Applications In Electrical Engineering PDF? A PDF (Portable Document Format) is a file format developed by Adobe that preserves the layout and formatting of a document, regardless of the software, hardware, or operating system used to view or print it. **How do I create a Matlab Applications In Electrical Engineering PDF?** There are several ways to create a PDF: Use software like Adobe Acrobat, Microsoft Word, or Google Docs, which often have built-in PDF creation tools. Print to PDF: Many applications and operating systems have a "Print to PDF" option that allows you to save a document as a PDF file instead of printing it on paper. Online converters: There are various online tools that can convert different file types to PDF. **How do I edit a Matlab Applications In Electrical Engineering PDF?** Editing a PDF can be done with software like Adobe Acrobat, which allows direct editing of text, images, and other elements within the PDF. Some free tools, like PDFescape or Smallpdf, also offer basic editing capabilities. **How do I convert a Matlab Applications In Electrical Engineering PDF to another file format?** There are multiple ways to convert a PDF to another format: Use online converters like Smallpdf, Zamzar, or Adobe Acrobats export feature to convert PDFs to formats like Word, Excel, JPEG, etc. Software like Adobe Acrobat, Microsoft Word, or other PDF editors may have options to export or save PDFs in different formats. **How do I password-protect a Matlab Applications In Electrical Engineering PDF?** Most PDF editing software allows you to add password protection. In Adobe Acrobat, for instance, you can go to "File" -> "Properties" -> "Security" to set a password to restrict access or editing capabilities. Are there any free alternatives to Adobe Acrobat for working with PDFs? Yes, there are many free alternatives for working with PDFs, such as: LibreOffice: Offers PDF editing features. PDFsam: Allows splitting, merging, and editing PDFs. Foxit Reader: Provides basic PDF viewing and editing capabilities. How do I compress a PDF file? You can use online tools like Smallpdf, ILovePDF, or desktop software like Adobe Acrobat to compress PDF files without significant quality loss. Compression reduces the file size, making it easier to share and download. Can I fill out forms in a PDF file? Yes, most PDF viewers/editors like Adobe Acrobat, Preview (on Mac), or various online tools allow you to fill out forms in PDF files by selecting text fields and entering information. Are there any restrictions when working with PDFs? Some PDFs might have restrictions set by their creator, such as password protection, editing restrictions, or print restrictions. Breaking these restrictions might require specific software or tools, which may or may not be legal depending on the circumstances and local laws.

Find Matlab Applications In Electrical Engineering :

entrepreneurs 67-2105 SEO strategy software for entrepreneurs 67-2676

case study for small business 67-380 TikTok marketing case study for

[67-95 data science careers step by step for startups](#) [67-547 data science lifestyle checklist USA](#) [67-239 minimalist lifestyle checklist USA](#)

67-2790 content marketing strategies for entrepreneurs **67-1607 content 67-2882 career growth review for creators** **67-2400 career growth roadmap comparison United States** [67-1044 digital marketing comparison for technology ideas for startups](#) **67-2883 wearable technology review for business** [67-60 data science careers tutorial for creators](#) [67-521 data practices for startups](#) [67-1449 productivity hacks blueprint America work examples for startups](#) [67-2742 remote work explained America](#) [67-277 entrepreneurs](#) [67-2519 TikTok marketing trends for startups](#) [67-967 TikTok America](#) [67-1221 online privacy ideas USA](#) [67-2605 online privacy ideas for entrepreneurs](#) **67-2634 YouTube growth checklist for entrepreneurs business** [67-2963 coding for beginners roadmap USA](#) [67-2929 coding for](#)

Matlab Applications In Electrical Engineering :

checklists for use in financial and compliance audit of public procurement - Mar 13 2023

web 1 auditing the management of the procurement function 1 1 are procurement processes well organised and documented 1 2 are proper financing arrangements taken 1 3 are internal control systems in place 1 4 is procurement execution duly monitored and documented 2 auditing the preparation of the

the ultimate guide to conducting a procurement audit internal audit - Jun 04 2022

web discover the seven step process to running a purchasing audit that assists maintain purchasing compliance while identifying irregularities press possible fraud platform overview

procurement audit checklist for free lumiform - Aug 18 2023

web oct 7 2023 this procurement process checklist can be adjusted to review internal processes and guarantee that all procurement demands are met rated 5 5 stars on capterra lumiform enables you to conduct digital inspections via

internal audit checklist purchase pdf audit economic - Mar 01 2022

web internal audit checklist purchase uploaded by sachin ramdurg standardized template for internal audit checklist purchase copyright all rights reserved available formats download as pdf txt or read online from scribd flag for inappropriate content download now of 2 company quality management system qms company logo [the ultimate guide to conducting a procurement audit internal audit](#) - Jan 11 2023

web procurement audit use this handy checklist jeder time you conduct a global audit to secure consistency across reports map accountabilities for audit tasks brief aforementioned leadership team seek give from the procurement gang audit purchase orders requisition and rfq forms audit vendor relationships audit procurement

free procurement checklist template pdf safetyculture - Aug 06 2022

web a procurement checklist is used to provide that internal processes become met to avoid defaults or even refuse of procurement acquisitions officers sack how this procurement item to cover whole necessary considerations in purchasing them sack use this procurement checklist with safetyculture formerly iauditor to achieve the following

the ultimate guide to conducting a procurement audit internal audit - Feb 12 2023

web discover the seven step procedure to running a procurement audit that helps support purchasing compliance while identifying irregularities and possible fraud

how to conduct a successful procurement audit proqura - Jul 17 2023

web mar 2 2022 there are three essential procurement audit objectives identify irregularities regular procurement audits help identify any irregularities across your procurement management system by looking into your procurement history and carefully assessing each process you will be able to identify any existing issues with your system

step by step internal audit checklist auditboard - Jul 05 2022

web mar 21 2023 read on for our checklist internal audit checklist the steps to preparing for an internal audit are 1 initial audit planning 2 involve risk and process subject matter experts 3 frameworks for internal audit processes 4 initial document request list 5 preparing for a planning meeting with business stakeholders 6 preparing the audit

a checklist for a purchasing process audit chron com - Oct 08 2022

web you should develop a checklist to which you can refer when you make periodic audits of your purchasing processes as markets shipping times vendors and

the ultimate guide to conducting a procurement audit a checklist - May 15 2023

web feb 11 2023 procurement audit checklist uses this handy checklist each time to conduct ampere procurement audit to ensure consistency across reports assign job for audit tasks brief the leadership our seek feedback from the procurement team audit purchase orders demand and rfq forms audit vendor relationships audit

the ultimate guide to conducting a procurement audit internal audit - Nov 09 2022

web discover the seven step proceed to running a procurement inspect that helps maintain purchasing compliance while identifying irregularities and possible fraud

auditing procurement in the public sector the institute of internal - Dec 10 2022

web nov 25 2021 internal audit can provide assurance on the effectiveness of an organization s plans and programs to

procure goods and services with efficient practices this practice guide will help auditors understand public procurement improve existing procurement processes and offer advisory services that help organizations plan new

the ultimate guide to conducting a procurement audit internal audit - May 03 2022

web discover the seven step process to running one procurement audit that assist maintain purchasing compliance while identifies anomaly and feasible fraud how to conduct a succeeded procurement audit

the ultimate guide to conducting a procurement audit internal audit - Sep 07 2022

web discover the seven step process to running a procurement audit that helps maintain purchasing compliance while identifying irregularities press possible fraud

free procurement checklist template pdf safetyculture - Jun 16 2023

web aug 15 2023 a procurement checklist is used to ensure that internal processes are met to avoid delays or even rejection of procurement procurement officers can use this procurement checklist to cover all necessary considerations in procurement

purchase audit procedure checklist for procurement of goods - Sep 19 2023

web aug 25 2019 purchase audit process and checkpoints at each stage in this article we have discussed what is purchase audit procedures and a checklist at each stage of the purchase process that must be undertaken by the auditor to

the ultimate guide to conducting a procurement audit internal - Apr 02 2022

web discover the seven step process in walking a procurement audit is helps maintain purchasing compliance while identifying irregularities and possible fraud explore 19 000 saas products in the vendr marketplace buy getting betters purchase outcomes with negotiation expertise and industry leading data manage manage to isa contracts

the ultimate guide to conducting a procurement audit vendr - Apr 14 2023

web procurement audit checklist understand procurement performance in real time with vendr you ve developed precise procurement processes automated approval workflows and vendor risk profiles we ve got this locked down you assure yourself do we need to review the process of auditing our procurement history each quarter here s the thing

the ultimate guide to conducting a procurement audit internal audit - Jan 31 2022

web discover the seven step process to running a procurement audit which supports maintain purchasing compliance while identifying irregularities and possible fraud product company

vtu notes of all semesters in pdf vtu updates - Aug 03 2022

web vtu 3rd semester notes vtu 3rd semester notes all branchs transform calculus fourier series and numerical techniques 21mat31 common for all samskrutika kannada 21ksk37 47 common for all constitution of india and professional ethics 21cip37 47 common for all

[manual ford 532 balercit students vtu notes pdf download](#) - Feb 09 2023

web manual ford 532 balercit students vtu notes pdf upload donald h paterson 2 8 downloaded from api2 igetweb com on september 6 2023 by donald h paterson sarah lerner 2019 01 22 featuring art and writing from the students of the parkland tragedy this is a raw look at the events of february 14 and a poignant representation of grief

[manual ford 532 balercit students vtu notes pdf full pdf](#) - Jan 28 2022

web manual ford 532 balercit students vtu notes pdf whispering the secrets of language an psychological quest through manual ford 532 balercit students vtu notes pdf in a digitally driven world where displays reign supreme and quick interaction drowns out

[manual ford 532 balercit students vtu notes full pdf](#) - Apr 30 2022

web manual ford 532 balercit students vtu notes right here we have countless books manual ford 532 balercit students vtu notes and collections to check out we additionally meet the expense of variant types and as well as type of the books to browse the adequate book fiction history novel scientific research as competently as

manual ford 532 balercit students vtu notes 2023 - Dec 27 2021

web manual ford 532 balercit students vtu notes lecture notes on quantum mechanics jun 10 2022 this book is written based on lecture notes covering three to four semesters of graduate courses in quantum

manual ford 532 balercit students vtu notes full pdf wrbb neu - Mar 30 2022

web this manual ford 532 balercit students vtu notes as one of the most energetic sellers here will certainly be in the course of the best options to review manual ford 532

manual ford 532 balercit students vtu notes pdf pdf - Oct 05 2022

web jun 13 2023 web guide manual ford 532 balercit students vtu notes pdf as you such as manual ford 532 balercit students vtu notes full pdf web jan 6 2023 you could buy guide manual ford 532 balercit students vtu notes or get it as soon as feasible you could quickly download this manual ford 532 balercit students vtu notes after getting deal

[manual ford 532 balercit students vtu notes pdf download only](#) - May 12 2023

web start getting this info get the manual ford 532 balercit students vtu notes pdf colleague that we pay for here and check out the link you could buy lead manual ford 532 balercit students vtu notes pdf or acquire it as soon as feasible you could quickly download this manual ford 532 balercit students vtu notes pdf after getting deal

ford 532 and 542 oem hay balers operators manual - Jan 08 2023

web jun 17 1994 ford 532 and 542 oem hay balers operators manual paperback june 17 1994 our ford 532 and 542 oem hay balers operators manual is an original oem tractor manual from the original equipment manufacturer note that the image provided is for reference only

ford 532 industrial tractor manuals service repair owners - Nov 06 2022

web it also includes a guide for ordering parts it picks up where the service manual leaves off if you do your own repairs you need the parts manual operators manual opt the operators manual a k a owners manual is the book that came oem from the manufacturer when the ford 532 industrial tractor was purchased it gives the

manualford532balercitstudentsvtunotes 2022 dev2 bryanu - Dec 07 2022

web manualford532balercitstudentsvtunotes 1 manualford532balercitstudentsvtunotes

manualford532balercitstudentsvtunotes downloaded from dev2 bryanu edu by

manual ford 532 balercit students vtu notes pdf free - Jul 14 2023

web manual ford 532 balercit students vtu notes pdf introduction manual ford 532 balercit students vtu notes pdf free

manual ford 532 balercit students vtu notes pdf pdf devy ortax - Aug 15 2023

web manual ford 532 balercit students vtu notes pdf pdf devy ortax org created date 9 4 2023 4 56 41 pm

manual ford 532 balercit students vtu notes pdf uniport edu - Sep 04 2022

web may 8 2023 begin getting this info acquire the manual ford 532 balercit students vtu notes belong to that we come up with the money for here and check out the link you could purchase lead manual ford 532 balercit students vtu notes or acquire it as soon as feasible you could quickly download this manual ford 532 balercit students vtu notes

manual ford 532 balercit students vtu notes pdf full pdf - Feb 26 2022

web you could enjoy now is manual ford 532 balercit students vtu notes pdf below read free manual ford 532 balercit students vtu notes pdf web manual ford 532 balercit students vtu notes pdf when somebody should go to the book stores search start by shop shelf by shelf it is in reality problematic this is why we offer the book compilations in this

manual ford 532 balercit students vtu notes pdf 2023 - Jun 13 2023

web manual ford 532 balercit students vtu notes pdf is available in our book collection an online access to it is set as public so you can get it instantly our digital library saves in multiple countries allowing you to get the most less latency time to download

manual ford 532 balercit students vtu notes copy - Jul 02 2022

web manual ford 532 balercit students vtu notes if you ally infatuation such a referred manual ford 532 balercit students vtu notes books that will give you worth get the categorically best seller from us currently from several preferred authors if you desire to hilarious books lots of novels tale jokes and more fictions collections are then

manual ford 532 balercit students vtu notes pdf uniport edu - Mar 10 2023

web may 5 2023 manual ford 532 balercit students vtu notes 1 1 downloaded from uniport edu ng on may 5 2023 by guest manual ford 532 balercit students vtu notes right here we have countless books manual ford 532 balercit students vtu notes

and collections to check out we additionally manage to pay for variant types and moreover

[manual ford 532 balercit students vtU notes pdf copy](#) - Jun 01 2022

web apr 24 2023 manual ford 532 balercit students vtU notes pdf right here we have countless book manual ford 532 balercit students vtU notes pdf and collections to check out we additionally present variant types and as a consequence type of the books to browse the normal book fiction history

manual ford 532 balercit students vtU notes full pdf - Apr 11 2023

web jan 6 2023 4728469 manual ford 532 balercit students vtU notes 1 3 downloaded from subscribe redhanger com on by guest manual ford 532 balercit students vtU notes recognizing the pretension ways to get this books manual ford 532 balercit students vtU notes is additionally useful

[magnus chase 4 geschichten aus den neun welten](#) - May 31 2022

web magnus chase 4 geschichten aus den neun welten sonderband zur bestsellerreihe aus der welt der nordischen mythen für fantasy fans ab 12 rick riordan buch

geschichten aus den neun welten riordan wiki fandom - Jan 27 2022

web originaltitel 9 from the nine worlds erschien 2018 eine sammlung von neun kurzgeschichten die jeweils in einer der neun welten der nordischen mythologie

magnus chase 4 geschichten aus den neun welten lesejury - Aug 02 2022

web abwechselnd erzählen der mächtige gott odin der modebewusste zwerg blitzen der taubstumme elf hearthstone die erste mutige walküre mit kopftuch namens samirah al

[magnus chase 4 geschichten aus den neun welten thalia](#) - Oct 04 2022

web neun welten neun geschichten die uns einen einblick in das danach von magnus chase geben charmant und humorvoll wortgewandt kommt jeder charakter noch mal

magnus chase 4 geschichten aus den neun welten - Mar 29 2022

web jul 2 2020 buy magnus chase 4 geschichten aus den neun welten sonderband zur bestsellerreihe aus der welt der nordischen mythen für fantasy fans ab 12 by

magnus chase 4 geschichten aus den neun welten orell füssli - Jun 12 2023

web bewertet buch gebundene ausgabe ich liebe die magnus chase reihe und die witzigen geschichten aus asgard dieses buch ist allerdings kein klassischer roman sondern

magnus chase 4 geschichten aus den neun welten thalia - Feb 08 2023

web beschreibung action chaos und wikingerhumor ein vertiefender blick in die welt von magnus chase von asgard über midgard bis helheim die vorliegenden 10

[magnus chase 4 geschichten aus den neun welten thalia at](#) - Apr 29 2022

web magnus chase 4 geschichten aus den neun welten sonderband zur bestsellerserie aus der welt der nordischen mythen für fantasy fans ab 12 4 riordan rick

magnus chase 4 geschichten aus den neun welten orell füssli - Jul 13 2023

web magnus chase 4 geschichten aus den neun welten sonderband der lustigen fantasy buchreihe ab 12 jahren mit 10 geschichten über nordische mythen und einen fast

[geschichten aus den neun welten magnus chase 4](#) - Dec 06 2022

web hardcover e book magnus chase 4 geschichten aus den neun welten von rick riordan blick ins buch hörprobe band 4 wilde action für percy jackson fans diese

[magnus chase 4 geschichten aus den neun welten amazon com](#) - Nov 24 2021

web you have remained in right site to begin getting this info acquire the magnus chase 4 geschichten aus den neun welten ch link that we meet the expense of here and

[magnus chase 4 geschichten aus den neun welten](#) - Mar 09 2023

web diese neun wilden geschichten strotzen nur so vor action chaos und wikingen humor abwechselnd erzählen der mächtige gott odin der modebewusste zwerg blitzen der

magnus chase 4 geschichten aus den neun welten - Feb 25 2022

web geschichten aus den neun welten ist der vierte teil der magnus chase reihe und der nachfolger des buches das schiff der toten diese neun wilden geschichten strotzen

magnus chase 4 geschichten aus den neun welten orell füssli - Aug 14 2023

web jetzt online bestellen heimlieferung oder in filiale magnus chase 4 geschichten aus den neun welten sonderband zur bestsellerserie aus der welt der nordischen mythen

magnus chase 4 geschichten aus den neun welten neues buch - May 11 2023

web magnus chase 4 geschichten aus den neun welten finden sie alle bücher von rick riordan bei der büchersuchmaschine eurobuch ch können sie antiquarische und

magnus chase 4 geschichten aus den neun welten ch - Oct 24 2021

web diese neun wilden geschichten strotzen nur so vor action chaos und wikingen humor abwechselnd erzählen der mächtige gott odin der modebewusste zwerg blitzen der

[magnus chase wikipedia](#) - Dec 26 2021

web jun 26 2020 select the department you want to search in

magnus chase 4 geschichten aus den neun welten carlsen - Nov 05 2022

web magnus chase 4 geschichten aus den neun welten sonderband der lustigen fantasy buchreihe ab 12 jahren mit 10 geschichten über nordische mythen und einen fast

magnus chase 4 geschichten aus den neun welten - Jul 01 2022

web magnus chase 4 geschichten aus den neun welten sonderband zur bestsellerserie aus der welt der nordischen mythen für fantasy fans ab 12 band 4 von rick riordan

magnus chase 4 geschichten aus den neun welten thalia - Sep 03 2022

web jul 2 2020 diese neun wilden geschichten strotzen nur so vor action chaos und wikingen humor abwechselnd erzählen der mächtige gott odin der modebewusste

magnus chase 4 geschichten aus den neun welten - Jan 07 2023

web jul 2 2020 magnus chase 4 geschichten aus den neun welten sonderband zur bestsellerserie aus der welt der nordischen mythen für fantasy fans ab 12 german

magnus chase 4 geschichten aus den neun welten carlsen - Sep 22 2021

magnus chase 4 geschichten aus den neun welten neues buch - Apr 10 2023

web magnus chase 4 geschichten aus den neun welten finden sie alle bücher von rick riordan bei der büchersuchmaschine eurobuch ch können sie antiquarische und