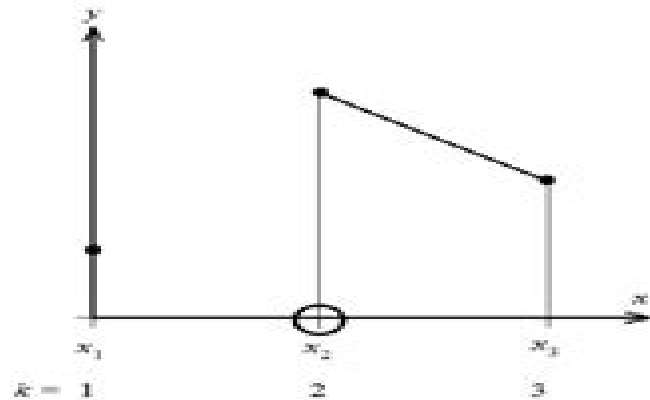


**ME 1020: ENGINEERING PROGRAMMING WITH MATLAB
 FINAL EXAM**

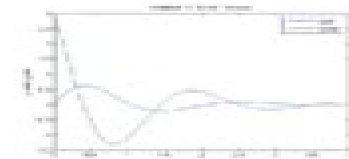
Open Book, Closed Notes, Do Not Write on this Sheet
Create a Separate MATLAB Script File for Each Problem
Submit all MATLAB files (.m) to Dr. Thomas
Each MATLAB File Must Have the Following Header:

```
1 % Final Exam, ME 1020, Spring 2016, Your Name Here
2 clc, clear all, close all
```

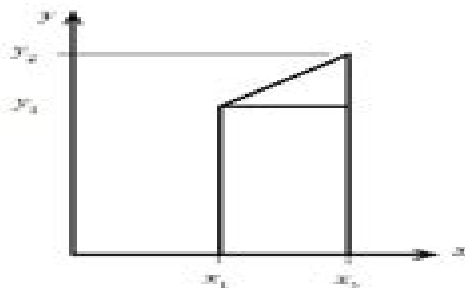
Problem 1 (4 Points): Create a MATLAB script file to calculate and plot the derivative of the function $y(x) = e^{-x} \sin(3x)$ from $0 \leq x \leq 4$ using the Forward Difference Method described in class (shown below). You must use a for loop to solve this problem. Provide a plot title and labels for the axes. Use 101 points from $x = 0$ to $x = 4$.



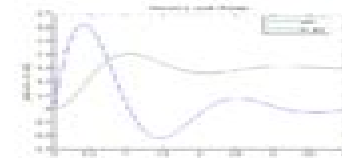
$$\left. \frac{dy}{dx} \right|_{x_2} = \frac{y_3 - y_2}{x_3 - x_2}$$



Problem 2 (4 Points): Create a MATLAB script file to calculate and plot the integral of the function $y(x) = e^{-x} \sin(3x)$ from $0 \leq x \leq 4$ using the Trapezoidal Method described in class (shown below). You must use a for loop to solve this problem. Provide a plot title and labels for the axes. Use 101 points from $x = 0$ to $x = 4$.



$$A_{\text{trapezoid}} = \frac{1}{2} (x_2 - x_1) (y_1 + y_2)$$



Matlab Final Exam And Answers

Mark Guzdial



Matlab Final Exam And Answers:

Introduction to Computational Science Angela B. Shiflet, George W. Shiflet, 2014-03-30 The essential introduction to computational science now fully updated and expanded Computational science is an exciting new field at the intersection of the sciences computer science and mathematics because much scientific investigation now involves computing as well as theory and experiment This textbook provides students with a versatile and accessible introduction to the subject It assumes only a background in high school algebra enables instructors to follow tailored pathways through the material and is the only textbook of its kind designed specifically for an introductory course in the computational science and engineering curriculum While the text itself is generic an accompanying website offers tutorials and files in a variety of software packages This fully updated and expanded edition features two new chapters on agent based simulations and modeling with matrices ten new project modules and an additional module on diffusion Besides increased treatment of high performance computing and its applications the book also includes additional quick review questions with answers exercises and individual and team projects The only introductory textbook of its kind now fully updated and expanded Features two new chapters on agent based simulations and modeling with matrices Increased coverage of high performance computing and its applications Includes additional modules review questions exercises and projects An online instructor s manual with exercise answers selected project solutions and a test bank and solutions available only to professors An online illustration package is available to professors

MATLAB Numerical Methods with Chemical Engineering Applications Kamal I. M. Al-Malah, 2013-07-31 A practical professional guide to MATLAB computational techniques and engineering applications MATLAB Numerical Methods with Chemical Engineering Applications shows you step by step how to use MATLAB to model and simulate physical problems in the chemical engineering realm Written for MATLAB 7 11 this hands on resource contains concise explanations of essential MATLAB commands as well as easy to follow instructions for using the programming features graphical capabilities and desktop interface Every step needed toward the final solution is algorithmically explained via snapshots of the MATLAB platform in parallel with the text End of chapter problems help you practice what you ve learned Master this powerful computational tool using this detailed self teaching guide **COVERAGE INCLUDES** MATLAB basics Matrices MATLAB scripting language M file Image and image analysis Curve fitting Numerical integration Solving differential equations A system of algebraic equations Statistics Chemical engineering applications MATLAB Graphical User Interface Design Environment **GUIDE** Linear Systems and Signals Bhagwandas Pannalal Lathi, 2010 Incorporating new problems and examples the second edition of Linear Systems and Signals features MATLAB material in each chapter and at the back of the book It gives clear descriptions of linear systems and uses mathematics not only to prove axiomatic theory but also to enhance physical and intuitive understanding Learner-Centered Design of Computing Education Mark Guzdial, 2022-05-31 Computing education is in enormous demand Many students both children and adult are realizing that

they will need programming in the future This book presents the argument that they are not all going to use programming in the same way and for the same purposes What do we mean when we talk about teaching everyone to program When we target a broad audience should we have the same goals as computer science education for professional software developers How do we design computing education that works for everyone This book proposes use of a learner centered design approach to create computing education for a broad audience It considers several reasons for teaching computing to everyone and how the different reasons lead to different choices about learning goals and teaching methods The book reviews the history of the idea that programming isn't just for the professional software developer It uses research studies on teaching computing in liberal arts programs to graphic designers to high school teachers in order to explore the idea that computer science for everyone requires us to re think how we teach and what we teach The conclusion describes how we might create computing education for everyone

Mathematics Education in the Age of Artificial Intelligence

Philippe R. Richard, M. Pilar Vélez, Steven Van Vaerenbergh, 2022-03-09 This book highlights the contribution of artificial intelligence for mathematics education It provides concrete ideas supported by mathematical work obtained through dynamic international collaboration and discusses the flourishing of new mathematics in the contemporary world from a sustainable development perspective Over the past thirty years artificial intelligence has gradually infiltrated all facets of society When it is deployed in interaction with the human designer or user AI certainly raises new ethical questions But as soon as it aims to augment intelligence in a kind of human machine partnership it goes to the heart of knowledge development and the very performance of work The proposed themes and the sections of the book address original issues relating to the creation of AI milieus to work on mathematics to the AI supported learning of mathematics and to the coordination of usual paper pencil techniques and new AI aided educational working spaces The authors of the book and the coordinators of each section are all established specialists in mathematics didactics mathematics and computer science In summary this book is a must read for everyone interested in the teaching and learning of mathematics and it concerns the interaction between the human and the machine in both directions It contains ideas questions and inspiration that invite to take up the challenge of Artificial Intelligence contributing to Mathematical Human Learning

13th International Symposium on Process Systems Engineering - PSE 2018, July 1-5 2018 Mario R. Eden, Gavin Towler, Maria Ierapetritou, 2018-07-19 Process Systems Engineering brings together the international community of researchers and engineers interested in computing based methods in process engineering This conference highlights the contributions of the PSE community towards the sustainability of modern society and is based on the 13th International Symposium on Process Systems Engineering PSE 2018 event held San Diego CA July 1 5 2018 The book contains contributions from academia and industry establishing the core products of PSE defining the new and changing scope of our results and future challenges Plenary and keynote lectures discuss real world challenges globalization energy environment and health and contribute to

discussions on the widening scope of PSE versus the consolidation of the core topics of PSE Highlights how the Process Systems Engineering community contributes to the sustainability of modern society Establishes the core products of Process Systems Engineering Defines the future challenges of Process Systems Engineering **Innovations in E-learning, Instruction Technology, Assessment and Engineering Education** Magued Iskander,2007-09-04 This book includes a set of rigorously reviewed world class manuscripts addressing and detailing state of the art research projects in the areas of Engineering Education Instructional Technology Assessment and E learning The book presents selected papers form the conference proceedings of the International Conference on Engineering Education Instructional Technology Assessment and E learning EIAE 2006 All aspects of the conference were managed on line Modern Mathematics Education for Engineering Curricula in Europe Seppo Pohjolainen,Tuomas Myllykoski,Christian Mercat,Sergey Sosnovsky,2018-07-16 This open access book provides a comprehensive overview of the core subjects comprising mathematical curricula for engineering studies in five European countries and identifies differences between two strong traditions of teaching mathematics to engineers The collective work of experts from a dozen universities critically examines various aspects of higher mathematical education The two EU Tempus IV projects MetaMath and MathGeAr investigate the current methodologies of mathematics education for technical and engineering disciplines The projects aim to improve the existing mathematics curricula in Russian Georgian and Armenian universities by introducing modern technology enhanced learning TEL methods and tools as well as by shifting the focus of engineering mathematics education from a purely theoretical tradition to a more applied paradigm MetaMath and MathGeAr have brought together mathematics educators TEL specialists and experts in education quality assurance form 21 organizations across six countries The results of a comprehensive comparative analysis of the entire spectrum of mathematics courses in the EU Russia Georgia and Armenia has been conducted have allowed the consortium to pinpoint and introduce several modifications to their curricula while preserving the generally strong state of university mathematics education in these countriesThe book presents the methodology procedure and results of this analysis This book is a valuable resource for teachers especially those teaching mathematics and curriculum planners for engineers as well as for a general audience interested in scientific and technical higher education **43rd AIAA Aerospace Sciences Meeting & Exhibit** ,2005 **Nonlinear Industrial Control Systems** Michael J. Grimble,Pawel Majecki,2020-05-19 Nonlinear Industrial Control Systems presents a range of mostly optimisation based methods for severely nonlinear systems it discusses feedforward and feedback control and tracking control systems design The plant models and design algorithms are provided in a MATLAB toolbox that enable both academic examples and industrial application studies to be repeated and evaluated taking into account practical application and implementation problems The text makes nonlinear control theory accessible to readers having only a background in linear systems and concentrates on real applications of nonlinear control It covers different ways of modelling nonlinear systems including state space polynomial

based linear parameter varying state dependent and hybrid design techniques for nonlinear optimal control including generalised minimum variance model predictive control quadratic Gaussian factorised and H design methods design philosophies that are suitable for aerospace automotive marine process control energy systems robotics servo systems and manufacturing steps in design procedures that are illustrated in design studies to define cost functions and cope with problems such as disturbance rejection uncertainties and integral wind up and baseline non optimal control techniques such as nonlinear Smith predictors feedback linearization sliding mode control and nonlinear PID Nonlinear Industrial Control Systems is valuable to engineers in industry dealing with actual nonlinear systems It provides students with a comprehensive range of techniques and examples for solving real nonlinear control design problems

Elements of Engineering Probability and Statistics Rodger E. Ziemer,1997 Responding to the needs of graduate engineers and ABET criteria this volume illustrates the essentials of both probability and statistics through computer exercises It features a wealth of computer exercises that provide experimental verification of probabilistic phenomena and a means for calculating and displaying complex results Government Reports Announcements & Index ,1992 **Annual Conference & Exposition** American Society for Engineering Education,2005 Proceedings ,2005 Mathematics Today ,2000 Journal of Engineering Education ,2006 **Cornell University Courses of Study** Cornell University,2003 Real-time Systems Education III Jerzy Nawrocki,Jean-Jacques Schwarz,Janusz Zalewski,1999 Poznan Poland was selected as the site of the third annual workshop on this topic to coincide with the Software Engineering Education Symposium SEES 98 and also to establish an international presence in Central Europe although we are not an event on the scale of olympic games Twenty six participants pictured present papers related to real time systems programs and curricula teaching RT systems design and verification components of RT labs RT systems in control engineering education and in other disciplines Also includes invited talks on RT devices at practical prices and the essentials of RT education For the uninitiated IEEE stands for the Institute of Electrical and Electronic Engineers Author index only Annotation copyrighted by Book News Inc Portland OR

Communication & Cognition ,2006 **Windows Magazine** ,1999

Right here, we have countless books **Matlab Final Exam And Answers** and collections to check out. We additionally give variant types and after that type of the books to browse. The standard book, fiction, history, novel, scientific research, as capably as various additional sorts of books are readily simple here.

As this Matlab Final Exam And Answers, it ends going on subconscious one of the favored book Matlab Final Exam And Answers collections that we have. This is why you remain in the best website to look the incredible ebook to have.

https://py.bijouxmedusa.com/results/uploaded-files/HomePages/grade11_life_orientation_november.pdf

Table of Contents Matlab Final Exam And Answers

1. Understanding the eBook Matlab Final Exam And Answers
 - The Rise of Digital Reading Matlab Final Exam And Answers
 - Advantages of eBooks Over Traditional Books
2. Identifying Matlab Final Exam And Answers
 - Exploring Different Genres
 - Considering Fiction vs. Non-Fiction
 - Determining Your Reading Goals
3. Choosing the Right eBook Platform
 - Popular eBook Platforms
 - Features to Look for in an Matlab Final Exam And Answers
 - User-Friendly Interface
4. Exploring eBook Recommendations from Matlab Final Exam And Answers
 - Personalized Recommendations
 - Matlab Final Exam And Answers User Reviews and Ratings
 - Matlab Final Exam And Answers and Bestseller Lists
5. Accessing Matlab Final Exam And Answers Free and Paid eBooks
 - Matlab Final Exam And Answers Public Domain eBooks

- Matlab Final Exam And Answers eBook Subscription Services
- Matlab Final Exam And Answers Budget-Friendly Options
- 6. Navigating Matlab Final Exam And Answers eBook Formats
 - ePub, PDF, MOBI, and More
 - Matlab Final Exam And Answers Compatibility with Devices
 - Matlab Final Exam And Answers Enhanced eBook Features
- 7. Enhancing Your Reading Experience
 - Adjustable Fonts and Text Sizes of Matlab Final Exam And Answers
 - Highlighting and Note-Taking Matlab Final Exam And Answers
 - Interactive Elements Matlab Final Exam And Answers
- 8. Staying Engaged with Matlab Final Exam And Answers
 - Joining Online Reading Communities
 - Participating in Virtual Book Clubs
 - Following Authors and Publishers Matlab Final Exam And Answers
- 9. Balancing eBooks and Physical Books Matlab Final Exam And Answers
 - Benefits of a Digital Library
 - Creating a Diverse Reading Collection Matlab Final Exam And Answers
- 10. Overcoming Reading Challenges
 - Dealing with Digital Eye Strain
 - Minimizing Distractions
 - Managing Screen Time
- 11. Cultivating a Reading Routine Matlab Final Exam And Answers
 - Setting Reading Goals Matlab Final Exam And Answers
 - Carving Out Dedicated Reading Time
- 12. Sourcing Reliable Information of Matlab Final Exam And Answers
 - Fact-Checking eBook Content of Matlab Final Exam And Answers
 - Distinguishing Credible Sources
- 13. Promoting Lifelong Learning
 - Utilizing eBooks for Skill Development
 - Exploring Educational eBooks

14. Embracing eBook Trends

- Integration of Multimedia Elements
- Interactive and Gamified eBooks

Matlab Final Exam And Answers Introduction

In the digital age, access to information has become easier than ever before. The ability to download Matlab Final Exam And Answers has revolutionized the way we consume written content. Whether you are a student looking for course material, an avid reader searching for your next favorite book, or a professional seeking research papers, the option to download Matlab Final Exam And Answers has opened up a world of possibilities. Downloading Matlab Final Exam And Answers provides numerous advantages over physical copies of books and documents. Firstly, it is incredibly convenient. Gone are the days of carrying around heavy textbooks or bulky folders filled with papers. With the click of a button, you can gain immediate access to valuable resources on any device. This convenience allows for efficient studying, researching, and reading on the go. Moreover, the cost-effective nature of downloading Matlab Final Exam And Answers has democratized knowledge. Traditional books and academic journals can be expensive, making it difficult for individuals with limited financial resources to access information. By offering free PDF downloads, publishers and authors are enabling a wider audience to benefit from their work. This inclusivity promotes equal opportunities for learning and personal growth. There are numerous websites and platforms where individuals can download Matlab Final Exam And Answers. These websites range from academic databases offering research papers and journals to online libraries with an expansive collection of books from various genres. Many authors and publishers also upload their work to specific websites, granting readers access to their content without any charge. These platforms not only provide access to existing literature but also serve as an excellent platform for undiscovered authors to share their work with the world. However, it is essential to be cautious while downloading Matlab Final Exam And Answers. Some websites may offer pirated or illegally obtained copies of copyrighted material. Engaging in such activities not only violates copyright laws but also undermines the efforts of authors, publishers, and researchers. To ensure ethical downloading, it is advisable to utilize reputable websites that prioritize the legal distribution of content. When downloading Matlab Final Exam And Answers, users should also consider the potential security risks associated with online platforms. Malicious actors may exploit vulnerabilities in unprotected websites to distribute malware or steal personal information. To protect themselves, individuals should ensure their devices have reliable antivirus software installed and validate the legitimacy of the websites they are downloading from. In conclusion, the ability to download Matlab Final Exam And Answers has transformed the way we access information. With the convenience, cost-effectiveness, and accessibility it offers, free PDF downloads have become a popular choice for students, researchers, and book lovers worldwide. However, it

is crucial to engage in ethical downloading practices and prioritize personal security when utilizing online platforms. By doing so, individuals can make the most of the vast array of free PDF resources available and embark on a journey of continuous learning and intellectual growth.

FAQs About Matlab Final Exam And Answers Books

How do I know which eBook platform is the best for me? Finding the best eBook platform depends on your reading preferences and device compatibility. Research different platforms, read user reviews, and explore their features before making a choice. Are free eBooks of good quality? Yes, many reputable platforms offer high-quality free eBooks, including classics and public domain works. However, make sure to verify the source to ensure the eBook credibility. Can I read eBooks without an eReader? Absolutely! Most eBook platforms offer webbased readers or mobile apps that allow you to read eBooks on your computer, tablet, or smartphone. How do I avoid digital eye strain while reading eBooks? To prevent digital eye strain, take regular breaks, adjust the font size and background color, and ensure proper lighting while reading eBooks. What the advantage of interactive eBooks? Interactive eBooks incorporate multimedia elements, quizzes, and activities, enhancing the reader engagement and providing a more immersive learning experience. Matlab Final Exam And Answers is one of the best book in our library for free trial. We provide copy of Matlab Final Exam And Answers in digital format, so the resources that you find are reliable. There are also many Ebooks of related with Matlab Final Exam And Answers. Where to download Matlab Final Exam And Answers online for free? Are you looking for Matlab Final Exam And Answers PDF? This is definitely going to save you time and cash in something you should think about. If you trying to find then search around for online. Without a doubt there are numerous these available and many of them have the freedom. However without doubt you receive whatever you purchase. An alternate way to get ideas is always to check another Matlab Final Exam And Answers. This method for see exactly what may be included and adopt these ideas to your book. This site will almost certainly help you save time and effort, money and stress. If you are looking for free books then you really should consider finding to assist you try this. Several of Matlab Final Exam And Answers are for sale to free while some are payable. If you arent sure if the books you would like to download works with for usage along with your computer, it is possible to download free trials. The free guides make it easy for someone to free access online library for download books to your device. You can get free download on free trial for lots of books categories. Our library is the biggest of these that have literally hundreds of thousands of different products categories represented. You will also see that there are specific sites catered to different product types or categories, brands or niches related with Matlab Final Exam And Answers. So depending on what exactly you are searching, you will be able to choose e books to suit your own need. Need to access completely for Campbell Biology Seventh Edition

book? Access Ebook without any digging. And by having access to our ebook online or by storing it on your computer, you have convenient answers with Matlab Final Exam And Answers To get started finding Matlab Final Exam And Answers, you are right to find our website which has a comprehensive collection of books online. Our library is the biggest of these that have literally hundreds of thousands of different products represented. You will also see that there are specific sites catered to different categories or niches related with Matlab Final Exam And Answers So depending on what exactly you are searching, you will be able to choose ebook to suit your own need. Thank you for reading Matlab Final Exam And Answers. Maybe you have knowledge that, people have search numerous times for their favorite readings like this Matlab Final Exam And Answers, but end up in harmful downloads. Rather than reading a good book with a cup of coffee in the afternoon, instead they juggled with some harmful bugs inside their laptop. Matlab Final Exam And Answers is available in our book collection an online access to it is set as public so you can download it instantly. Our digital library spans in multiple locations, allowing you to get the most less latency time to download any of our books like this one. Merely said, Matlab Final Exam And Answers is universally compatible with any devices to read.

Find Matlab Final Exam And Answers :

[grade11 life orientation november](#)

[grade 8 technology december question papers](#)

[global health diseases programs systems and policies](#)

[guide to intensive aquaculture in manitoba](#)

[grammar by rob batstone](#)

[geotechnical engineering calculations and rules of thumb second edition](#)

[guide to computer forensics and investigations 5th edition](#)

[gp rating entrance exam model question paper](#)

[giancoli physics for scientists engineers with modern](#)

[gluten and vegan holidays celebrating the year with simple satisfying recipes and menus paperback by jennifer katzinger](#)

[green smoothie recipes by victoria boutenko raw family](#)

[globalization progress or profiteering investopedia](#)

[geometry benchmark test 1 answers](#)

[guided reading activity 4 1 world population answer key](#)

[giver literature guide secondary solutions answers](#)

Matlab Final Exam And Answers :

la cuisine antiraplpla carnet de 60 recettes crues pour - Apr 04 2023

web amy webster coach en nutrition suisse d origine américaine est l auteur de la cuisine antiraplpla qui se décline en deux tomes saisonniers printemps été automne hiver

la cuisine antiraplpla automne hiver overdrive - Jun 06 2023

web nov 30 2016 la cuisine antiraplpla automne hiver ebook mid carnet de 60 recettes crues pour renforcer son immunité booster son énergie et améliorer ses

la cuisine antiraplpla carnet de 60 recettes de amy - Mar 03 2023

web sep 18 2021 amy webster coach en nutrition suisse d origine américaine est l auteur de la cuisine antiraplpla qui se décline en deux tomes saisonniers printemps

la cuisine antiraplpla carnet de 60 recettes amy webster - Aug 28 2022

web amy webster coach en nutrition suisse d origine américaine est l auteur de la cuisine antiraplpla qui se décline en deux tomes saisonniers printemps été automne hiver

la cuisine antiraplpla automne hiver carnet de 6 - Dec 20 2021

web la cuisine antiraplpla automne hiver carnet de 6 yeah reviewing a book la cuisine antiraplpla automne hiver carnet de 6 could build up your near associates listings

la cuisine antiraplpla automne hiver carnet de 60 recettes - Sep 28 2022

web la cuisine antiraplpla automne hiver carnet de 60 recettes crues pour renforcer son immunité booster son énergie et améliorer ses performances ebook written by amy

la cuisine antiraplpla automne hiver carnet de 60 cultura - Jul 07 2023

web la cuisine antiraplpla automne hiver carnet de 60 recettes crues pour renforcer son immunité booster son énergie et améliorer ses performances par amy webster aux

la cuisine antiraplpla automne hiver format epub - May 25 2022

web obtenez le livre la cuisine antiraplpla automne hiver de amy webster au format epub sur e leclerc

la cuisine anti raplapla automne hiver librairie eyrolles - Jan 01 2023

web 60 recettes énergisantes de boissons de petits déjeuners d accompagnements de cocktails de salades de soupes de plats et de desserts pour l automne et pour

la cuisine antiraplpla automne hiver carnet de 6 2023 - Feb 19 2022

web 2 la cuisine antiraplpla automne hiver carnet de 6 2022 12 24 éditions soliflor n oublie pas ta boite à tartines a avoir dans sa cuisine parents c est l heure du

mon nouveau livre est sorti la cuisine antiraplapla - Jun 25 2022

web apr 24 2015 la cuisine antiraplapla carnet de 60 recettes crues pour se détoxiner livre de recette la cuisine antiraplapla automne hiver note 5 00 sur 5 à partir

la cuisine antiraplapla automne hiver carnet de 60 recettes - Sep 09 2023

web la cuisine antiraplapla automne hiver carnet de 60 recettes crues pour renforcer son immunité booster son énergie et améliorer ses performances author amy webster

livre de recette la cuisine antiraplapla automne hiver - Oct 30 2022

web tome 2 automne hiver la cuisine antiraplapla tome 2 automne hiver c est 60 recettes énergisantes et saisonnières de boissons revitalisantes de petits déjeuners

la cuisine antiraplapla automne hiver carnet de 6 book - Oct 10 2023

web la cuisine antiraplapla automne hiver carnet de 6 grift sense james swain 2003 04 01 amidst the neon and the big special ugly of las vegas mild mannered frank

la cuisine antiraplapla automne hiver carnet de 60 recettes - Feb 02 2023

web achetez et téléchargez ebook la cuisine antiraplapla automne hiver carnet de 60 recettes crues pour renforcer son immunité booster son énergie et améliorer ses

la cuisine antiraplapla automne hiver carnet de 6 michel - Nov 18 2021

web la cuisine antiraplapla automne hiver carnet de 6 recognizing the habit ways to acquire this books la cuisine antiraplapla automne hiver carnet de 6 is additionally

chapter 6 la cuisine crue en automne et en hiver la cuisine - Aug 08 2023

web la cuisine antiraplapla automne hiver carnet de 60 recettes crues pour renforcer son immunité booster son énergie et améliorer ses performances chapter 6

la cuisine antiraplapla automne hiver carnet de 6 faith d - Apr 23 2022

web merely said the la cuisine antiraplapla automne hiver carnet de 6 is universally compatible with any devices to read hungry planet faith d aluisio 2007 09 provides an

la cuisine antiraplapla automne hiver carnet de 6 pdf - Mar 23 2022

web la cuisine antiraplapla automne hiver carnet de 6 1 la cuisine antiraplapla automne hiver carnet de 6 voluntary guidelines for sustainable soil management

la cuisine antiraplapla automne hiver carnet de 6 book - Jan 21 2022

web la cuisine antiraplapla automne hiver carnet de 6 green smoothies fern green 2015 12 29 a collection of 66 illustrated smoothies juices nut milks and tonics to kick

la cuisine antiraplpla automne hiver carnet de 60 r - Nov 30 2022

web en mangeant de façon appropriée plus de cru ce n est pas plus difficile que pendant le reste de l année amy webster vous le démontre avec trois techniques simplifiées de

la cuisine antiraplpla automne hiver carnet de 6 - Jul 27 2022

web de 6 les carnets d une alpagiste jan 08 2022 la mode des fées aug 03 2021 bienvenue dans le monde merveilleux des fées retrouve clochette et ses amies et

la cuisine antiraplpla automne hiver carnet de 60 recettes - May 05 2023

web la cuisine antiraplpla automne hiver carnet de 60 recettes crues pour renforcer son immunité booster son énergie et améliorer ses performances french edition ebook

mastery exam auto industry division dor sbg - Oct 02 2023

web aug 7 2023 mastery exam auto industry division mastery exam auto industry division state of colorado motor vehicle board the examination is computerized and

used cars for sale in colorado cargurus - Apr 15 2022

web used cars for sale in lincoln ne search used used cars listings to find the best colorado deals we analyze millions of used cars daily

salesperson license dor sbg colorado - Jul 31 2023

web you must obtain a colorado salesperson license issued by the colorado motor vehicle dealer board in colorado salespeople must be employed by a licensed colorado

salesperson license auto industry division dor sbg - May 29 2023

web motor vehicle salesperson means a natural person who for a salary commission or compensation of any kind is employed either directly or indirectly regularly or

used cars in colorado for sale enterprise car sales - Nov 22 2022

web used cars in colorado shop used cars in colorado at enterprise car sales find low prices on our inventory of quality certified used cars today your closest dealership

colorado - Dec 24 2022

web we would like to show you a description here but the site won t allow us

colorado salesman license test answers pdf course hero - Jul 19 2022

web practice test april 9th 201 colorado car sales license practice test pdf colorado car sales license statutes 12 61 1034 b c incorrectly state present a broker or salesperson or

used cars for sale in denver co with photos truecar - Jan 13 2022

web used cars for sale in denver co used cars new cars location denver co distance include non local listings make model body style years to price cash finance to price

used auto sales colorado autosales com - Mar 15 2022

web 77 962 mi 10 881 color silver transmission compact 5 speed automatic valley subaru longmont co more details appraise your trade search autosales com to

used car sales test key colorado download only - Dec 12 2021

web used car sales test key colorado is available in our book collection an online access to it is set as public so you can download it instantly our digital library saves in multiple

mastery exam car sales test colorado flashcards quizlet - Jan 25 2023

web mastery exam car sales test colorado flashcards learn test match q chat get a hint the license of a motor vehicle salesperson or power sports salesperson may be denied

study manual colorado auto dealers association - Sep 01 2023

web study manual the mastery examination is a test of your personal knowledge and understanding of applicable laws and regulations please click here to access the study

used car sales test key colorado jupiter goinglobal - Nov 10 2021

web used car sales test key colorado 3 3 2017 with 6 practice tests mcgraw hill companies wiley cmaexcel learning system exam review 2015 part 1

used cars for sale in colorado edmunds - Feb 11 2022

web save up to 171 301 on one of 117 971 used cars for sale in colorado find your perfect car with edmunds expert reviews car comparisons and pricing tools

car sales test colorado 2023 questions and answers complete - Jun 29 2023

web apr 17 2023 car sales test colorado 2023 questions and answers complete the license of a motor vehicle salesperson or a power sports salesperson may be denied

you sell auto colorado buy sell trade or consign your car - Jun 17 2022

web you sell auto is your 1 source for buying a quality pre owned vehicle many of our vehicles come from private individuals that no longer need a 2nd car or are moving out

car sales test colorado flashcards quizlet - Feb 23 2023

web answer a vehicle subject to lien on the title 2 0 proof of ownership requirements a a used vehicle with a colorado title 2 1 all colorado dealers or wholesalers must

overview colorado auto dealers association - Mar 27 2023

web overview cada provides the state licensing exam required for people to obtain their motor vehicle salesperson powersports vehicle salesperson license salesperson testing

buying and selling department of revenue motor vehicle - Aug 20 2022

web buying and selling return to fraud page buyer s responsibilities seller s responsibilities do i need a bill of sale helpful links complaints against auto

automotive sales license colorado flashcards quizlet - Oct 22 2022

web advertising the price of a vehicle without including all costs to the purchaser at the time of delivery except sales tax finance charges cost of emissions test and transportation

buying a used car in colorado from a private seller - May 17 2022

web privateauto has a wide selection of used cars for sale in fort collins denver colorado springs boulder and elsewhere across the state of colorado we have security and

key auto denver denver co cargurus - Sep 20 2022

web 2560 w barberry pl denver co 80204 1 review browse cars and read independent reviews from key auto denver in denver co click here to find the car you ll love near

state of colorado sales license test flashcards quizlet - Apr 27 2023

web study with quizlet and memorize flashcards containing terms like three of the following types of motor vehicles are exempt from the truth in mileage act the definition of a

school transfer letter to principal template net - Jun 06 2022

web easy to edit and fully customizable high quality and printable school transfer letter to principal date dear recipient name i am your name a student in institution name school i humbly request for a transfer letter from this school since reason i must transfer to institution name 1 due to reason 1

writing a school transfer request letter free sample - Mar 15 2023

web aug 10 2023 writing a school transfer request letter free sample know how to write a persuasive school transfer request letter with our free test ensure a smooth transition for owner educational journey last updated on august 10 2023 by andre bradley

application for school transfer - Jul 19 2023

web the application will take about 30 minutes to complete and has to be completed in one sitting you will not be able to save any part of the form ensure that you have the following documents with you for easy reference secondary school overall results psle results cca records and details of achievement personal particulars of student and parent

how to write a school transfer letter sample format - Dec 12 2022

web dec 25 2019 father s name student name class roll number admission number school transfer letter sample

3 samples for writing a school transfer request letter - Apr 16 2023

web the following is an example of a sample letter to school principal for transfer to another school date sub intent letter of school transfer present school s name address dear sir madam my name is lily smith i am one

writing a school transfer request letter free sample - Feb 14 2023

web aug 10 2023 writing a school transfer request character free sample learn how to write a persuasive school transfer request letter with our free sample ensure a smooth transition for your educational journey last current on august 10 2023 by another bradley college you may also see a transfer student s guide to getting accepted

school transfer letter how to write it right requestletters - Sep 21 2023

web nov 6 2023 this document presents your case for transfer and can affect the outcome so it s crucial to write it carefully in this article we provide a step by step guide on how to write an effective school transfer letter along with a customizable template to get you started

how to write a school transfer letter sample format - May 05 2022

web it depends on to whether you want to add personal informational regarding your makes regarding the choice of that particular school such letters are written for some reasons by any people and information is essential to know how the draft on sample high school transfer letter pdf full pdf digitalaristocrat com

school transfer letter sample 1000 free letter templates - Oct 10 2022

web jul 28 2015 dear sir this is in relation with my ward ms angela smith i would like to inform you that i would like transfer my ward to a different school as i have taken up a new job which requires me to relocate to new york the classes for the new session are going to begin from august 1 st 2015

request school transfer letter using this format and samples - Sep 09 2022

web apr 24 2021 some of which are the reason for your request to transfer the date day and month your transfer is supposed to take place provide your full name class admission number and date for easy processing of the transfer provided your contact details such as phone number and address use a professional tone be clear and concise

transfer letter template for school format sample example - Aug 08 2022

web dec 3 2020 whether you re a student a recent graduate or a seasoned professional we ve got you covered transfer letter template for school with writing tips format sample many example are provided here in this topic with pdf word

school transfer request letter samples download edit - Nov 11 2022

web oct 21 2018 1 school transfer request letter to the principal date subject request for transfer certificate dear principal this is to inform you that student name of grade x is moving to texas due to his father s job he has cleared his midterm

examinations all dues have been cleared and books from the library have been returned

sample student transfer letter for school assignment point - Apr 04 2022

web respected sir this letter is to request a student transfer letter as i was the first resident of area name but due to some reasons we have changed our residence and moved in the area name due to the large distance to the school i am unable to continue my study in your school show your actual problem and situation

school transfer application how to write and samples byju s - Jul 07 2022

web feb 22 2022 check the school transfer request letter samples provided below for better understanding student transfer letter to another school 2nd main road dairy circle koramangala bangalore 22nd february 2022 the principal st mary s international school dairy circle koramangala bangalore

school transfer request letter template net - Jan 13 2023

web download this school transfer request letter design in word google docs pdf format easily editable printable

downloadable a letter template to help you write a request addressed to your current school to transfer to another this is free to download and easy to edit in order to suit your needs high quality and printable

school transfer request letter sample applications letters - Oct 22 2023

web given below is a letter format for school transfer request letter from a student to the principal xyz school city date insert current date here subject insert subject here respected sir madam with due respect it is to say that insert the reason here

school transfer request letter examples 14 free templates - Jun 18 2023

web the school transfer request letter must be made up of heading your name and address name and address of the intended recipient subject a few paragraphs and closing remarks as well brevity there is no need to write a 10 paged school transfer request letter

23 school transfer letter free sample and format - Aug 20 2023

web sep 17 2020 sample school transfer letter in word free school transfer letter erxample request letter for school transfer school transfer letter for student school transfer request letter sample school branch transfer request letter what is a school transfer certificate when is a school transfer certificate issued

type one school transfer request letter free sample - Mar 03 2022

web aug 10 2023 learn how to write a persuasive school transfer request buchstaben with our free sample ensures a smooth transition for your educational journey last refreshed over august 10 2023 by andre ladder college ampere transfers student s guide to getting approved

13 school transfer letter templates pdf doc - May 17 2023

web file an inter university application or move from one school to another with a free download of our school transfer letter

templates every doc example we have features a sample content that you can edit and