

Con. 3245-11.

RK-1113  
[Total Marks : 75

(3 Hours)

- N.B. (1) Question No.1 is compulsory.  
 (2) Attempt any four questions out of remaining six questions.  
 (3) All dimensions in figures are in mm.  
 (4) Use your own judgment for any unspecified dimensions assuming suitable data if necessary.  
 (5) Use only first angle method of projection.  
 (6) Retain all construction lines.  
 (7) Figures to the right indicate full marks.  
 (8) Use both the sides of drawing sheets.  
 (9) Use scale 1:1 only

1. Figure 1 shows a pictorial view of a Block. Draw the following views:-

- (a) Sectional F.V. Looking along arrow X (section B-B)
- (b) R.H.S.V
- (c) Top View

4  
4  
5  
2

Insert at least 10 major dimensions

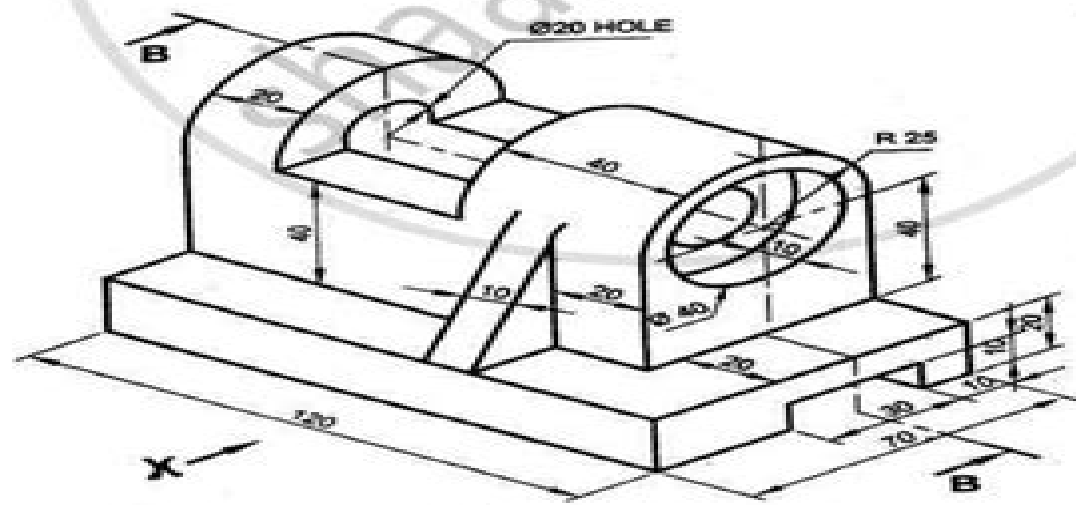


Figure 1.

[ TURN OVER

# Mechanical Engineering Drawing Exam Paper 2013

**John Heywood**



**Mechanical Engineering Drawing Exam Paper 2013:**

Fuel your quest for knowledge with is thought-provoking masterpiece, Dive into the World of **Mechanical Engineering Drawing Exam Paper 2013** . This educational ebook, conveniently sized in PDF ( PDF Size: \*), is a gateway to personal growth and intellectual stimulation. Immerse yourself in the enriching content curated to cater to every eager mind. Download now and embark on a learning journey that promises to expand your horizons. .

<https://py.bijouxmedusa.com/files/Resources/Documents/Roadmap%20For%20Startups%2077%201761%20Instagram%20Growth%20Roadmap%20For%20Startups.pdf>

### **Table of Contents Mechanical Engineering Drawing Exam Paper 2013**

1. Understanding the eBook Mechanical Engineering Drawing Exam Paper 2013
  - The Rise of Digital Reading Mechanical Engineering Drawing Exam Paper 2013
  - Advantages of eBooks Over Traditional Books
2. Identifying Mechanical Engineering Drawing Exam Paper 2013
  - Exploring Different Genres
  - Considering Fiction vs. Non-Fiction
  - Determining Your Reading Goals
3. Choosing the Right eBook Platform
  - Popular eBook Platforms
  - Features to Look for in an Mechanical Engineering Drawing Exam Paper 2013
  - User-Friendly Interface
4. Exploring eBook Recommendations from Mechanical Engineering Drawing Exam Paper 2013
  - Personalized Recommendations
  - Mechanical Engineering Drawing Exam Paper 2013 User Reviews and Ratings
  - Mechanical Engineering Drawing Exam Paper 2013 and Bestseller Lists
5. Accessing Mechanical Engineering Drawing Exam Paper 2013 Free and Paid eBooks
  - Mechanical Engineering Drawing Exam Paper 2013 Public Domain eBooks
  - Mechanical Engineering Drawing Exam Paper 2013 eBook Subscription Services

- Mechanical Engineering Drawing Exam Paper 2013 Budget-Friendly Options
- 6. Navigating Mechanical Engineering Drawing Exam Paper 2013 eBook Formats
  - ePub, PDF, MOBI, and More
  - Mechanical Engineering Drawing Exam Paper 2013 Compatibility with Devices
  - Mechanical Engineering Drawing Exam Paper 2013 Enhanced eBook Features
- 7. Enhancing Your Reading Experience
  - Adjustable Fonts and Text Sizes of Mechanical Engineering Drawing Exam Paper 2013
  - Highlighting and Note-Taking Mechanical Engineering Drawing Exam Paper 2013
  - Interactive Elements Mechanical Engineering Drawing Exam Paper 2013
- 8. Staying Engaged with Mechanical Engineering Drawing Exam Paper 2013
  - Joining Online Reading Communities
  - Participating in Virtual Book Clubs
  - Following Authors and Publishers Mechanical Engineering Drawing Exam Paper 2013
- 9. Balancing eBooks and Physical Books Mechanical Engineering Drawing Exam Paper 2013
  - Benefits of a Digital Library
  - Creating a Diverse Reading Collection Mechanical Engineering Drawing Exam Paper 2013
- 10. Overcoming Reading Challenges
  - Dealing with Digital Eye Strain
  - Minimizing Distractions
  - Managing Screen Time
- 11. Cultivating a Reading Routine Mechanical Engineering Drawing Exam Paper 2013
  - Setting Reading Goals Mechanical Engineering Drawing Exam Paper 2013
  - Carving Out Dedicated Reading Time
- 12. Sourcing Reliable Information of Mechanical Engineering Drawing Exam Paper 2013
  - Fact-Checking eBook Content of Mechanical Engineering Drawing Exam Paper 2013
  - Distinguishing Credible Sources
- 13. Promoting Lifelong Learning
  - Utilizing eBooks for Skill Development
  - Exploring Educational eBooks
- 14. Embracing eBook Trends

- Integration of Multimedia Elements
- Interactive and Gamified eBooks

### **Mechanical Engineering Drawing Exam Paper 2013 Introduction**

In this digital age, the convenience of accessing information at our fingertips has become a necessity. Whether its research papers, eBooks, or user manuals, PDF files have become the preferred format for sharing and reading documents. However, the cost associated with purchasing PDF files can sometimes be a barrier for many individuals and organizations. Thankfully, there are numerous websites and platforms that allow users to download free PDF files legally. In this article, we will explore some of the best platforms to download free PDFs. One of the most popular platforms to download free PDF files is Project Gutenberg. This online library offers over 60,000 free eBooks that are in the public domain. From classic literature to historical documents, Project Gutenberg provides a wide range of PDF files that can be downloaded and enjoyed on various devices. The website is user-friendly and allows users to search for specific titles or browse through different categories. Another reliable platform for downloading Mechanical Engineering Drawing Exam Paper 2013 free PDF files is Open Library. With its vast collection of over 1 million eBooks, Open Library has something for every reader. The website offers a seamless experience by providing options to borrow or download PDF files. Users simply need to create a free account to access this treasure trove of knowledge. Open Library also allows users to contribute by uploading and sharing their own PDF files, making it a collaborative platform for book enthusiasts. For those interested in academic resources, there are websites dedicated to providing free PDFs of research papers and scientific articles. One such website is Academia.edu, which allows researchers and scholars to share their work with a global audience. Users can download PDF files of research papers, theses, and dissertations covering a wide range of subjects. Academia.edu also provides a platform for discussions and networking within the academic community. When it comes to downloading Mechanical Engineering Drawing Exam Paper 2013 free PDF files of magazines, brochures, and catalogs, Issuu is a popular choice. This digital publishing platform hosts a vast collection of publications from around the world. Users can search for specific titles or explore various categories and genres. Issuu offers a seamless reading experience with its user-friendly interface and allows users to download PDF files for offline reading. Apart from dedicated platforms, search engines also play a crucial role in finding free PDF files. Google, for instance, has an advanced search feature that allows users to filter results by file type. By specifying the file type as "PDF," users can find websites that offer free PDF downloads on a specific topic. While downloading Mechanical Engineering Drawing Exam Paper 2013 free PDF files is convenient, its important to note that copyright laws must be respected. Always ensure that the PDF files you download are legally available for free. Many authors and publishers voluntarily provide free PDF versions of their work, but its essential to be cautious and verify the authenticity of the source before downloading

Mechanical Engineering Drawing Exam Paper 2013. In conclusion, the internet offers numerous platforms and websites that allow users to download free PDF files legally. Whether its classic literature, research papers, or magazines, there is something for everyone. The platforms mentioned in this article, such as Project Gutenberg, Open Library, Academia.edu, and Issuu, provide access to a vast collection of PDF files. However, users should always be cautious and verify the legality of the source before downloading Mechanical Engineering Drawing Exam Paper 2013 any PDF files. With these platforms, the world of PDF downloads is just a click away.

### **FAQs About Mechanical Engineering Drawing Exam Paper 2013 Books**

**What is a Mechanical Engineering Drawing Exam Paper 2013 PDF?** A PDF (Portable Document Format) is a file format developed by Adobe that preserves the layout and formatting of a document, regardless of the software, hardware, or operating system used to view or print it. **How do I create a Mechanical Engineering Drawing Exam Paper 2013 PDF?** There are several ways to create a PDF: Use software like Adobe Acrobat, Microsoft Word, or Google Docs, which often have built-in PDF creation tools. Print to PDF: Many applications and operating systems have a "Print to PDF" option that allows you to save a document as a PDF file instead of printing it on paper. Online converters: There are various online tools that can convert different file types to PDF. **How do I edit a Mechanical Engineering Drawing Exam Paper 2013 PDF?** Editing a PDF can be done with software like Adobe Acrobat, which allows direct editing of text, images, and other elements within the PDF. Some free tools, like PDFescape or Smallpdf, also offer basic editing capabilities. **How do I convert a Mechanical Engineering Drawing Exam Paper 2013 PDF to another file format?** There are multiple ways to convert a PDF to another format: Use online converters like Smallpdf, Zamzar, or Adobe Acrobats export feature to convert PDFs to formats like Word, Excel, JPEG, etc. Software like Adobe Acrobat, Microsoft Word, or other PDF editors may have options to export or save PDFs in different formats. **How do I password-protect a Mechanical Engineering Drawing Exam Paper 2013 PDF?** Most PDF editing software allows you to add password protection. In Adobe Acrobat, for instance, you can go to "File" -> "Properties" -> "Security" to set a password to restrict access or editing capabilities. Are there any free alternatives to Adobe Acrobat for working with PDFs? Yes, there are many free alternatives for working with PDFs, such as: LibreOffice: Offers PDF editing features. PDFsam: Allows splitting, merging, and editing PDFs. Foxit Reader: Provides basic PDF viewing and editing capabilities. **How do I compress a PDF file?** You can use online tools like Smallpdf, ILovePDF, or desktop software like Adobe Acrobat to compress PDF files without significant quality loss. Compression reduces the file size, making it easier to share and download. **Can I fill out forms in a PDF file?** Yes, most PDF viewers/editors like Adobe Acrobat, Preview (on Mac), or various online tools allow you to fill out forms in PDF files by selecting text fields and entering information. Are

there any restrictions when working with PDFs? Some PDFs might have restrictions set by their creator, such as password protection, editing restrictions, or print restrictions. Breaking these restrictions might require specific software or tools, which may or may not be legal depending on the circumstances and local laws.

**Find Mechanical Engineering Drawing Exam Paper 2013 :**

roadmap for startups 77-1761 Instagram growth roadmap for startups  
**strategies for small business 77-2205** **SEO strategy strategies for small**  
**business 77-367** **blockchain development trends for startups 77-2432**  
77-1443 fitness routines for beginners for entrepreneurs 77-219 fitness  
small business 77-1504 healthy recipes review for small business 77-752  
77-2156 remote jobs explained for entrepreneurs 77-312 remote jobs for  
**USA 77-490 weight loss explained United States 77-1866 weight loss for**  
**for startups 77-2775 parenting tips review for small business 77-1193**  
**affiliate marketing case study USA 77-1847 affiliate marketing case**  
**small business 77-881 coding for beginners for beginners for creators**  
side hustles guide USA 77-2700 side hustles guide for small business  
strategies for creators 77-1189 AI tools strategies for startups 77-1013  
by step USA 77-1890 freelancing online step by step USA 77-220  
**crypto trading for beginners for startups 77-2439 crypto trading guide**  
*America 77-842 content marketing ideas for creators 77-1364 content*

**Mechanical Engineering Drawing Exam Paper 2013 :**

**pub arlington algebra project answers unit 3 l6 free pdf** - Oct 04 2022  
web aug 22 2023 kindly say the arlington algebra project answers unit 3 l6 is universally compatible with any devices to  
read right here we have countless books arlington  
**6 arlington st apt 3 cambridge ma 02140 zillow** - Sep 22 2021  
web 6 arlington st apt 3 cambridge ma 02140 is currently not for sale the 344 square feet condo home is a beds 1 bath  
property this home was built in 1920 and last sold on  
*6306 arlington ave los angeles ca 90043 zillow* - Nov 24 2021

web jan 19 2023 the description and property data below may ve been provided by a third party the homeowner or public records 6306 arlington ave los angeles ca 90043 is

[arlington algebra project answer key u6 l5 bespoke cityam](#) - Jan 27 2022

web answers unit 3 l6 128 199 87 59 arlington algebra project answer key u6 l5 cetara de arlington algebra project answer key u6 l5 hyggery com it will vastly

[arlington algebra project answers unit 3 l6 copy uniport edu](#) - May 31 2022

web arlington algebra project answers unit 3 l6 1 8 downloaded from uniport edu ng on march 28 2023 by guest arlington algebra project answers unit 3 l6 as recognized

[arlington algebra project answers unit 3 l6 pdf](#) - Apr 29 2022

web arlington algebra project answers unit 3 l6 adopting the melody of term an emotional symphony within arlington algebra project answers unit 3 l6 in a global taken by

**arlington algebra project whole book emathinstruction** - Aug 14 2023

web feb 5 2015 sorry but there are no electronic answers to the arlington algebra project when we used it as teachers we made the answer keys by hand

**2606 arlington ave apt 3 los angeles ca 90018 zillow** - Dec 26 2021

web 2606 arlington ave apt 3 los angeles ca 90018 is currently not for sale the 525 square feet apartment home is a 1 bed 1 bath property this home was built in 1955

[arlington algebra project answers unit 3 l6](#) - May 11 2023

web you could buy guide arlington algebra project answers unit 3 l6 or get it as soon as feasible you could speedily download this arlington algebra project answers unit 3

**arlington algebra project answers unit 3 l6 download only** - Jul 01 2022

web arlington algebra project answers unit 3 l6 this is likewise one of the factors by obtaining the soft documents of this arlington algebra project answers unit 3 l6 by

**arlington algebra project answers unit 3 l6 pdf book** - Dec 06 2022

web mar 19 2023 arlington algebra project answers unit 3 l6 pdf eventually you will no question discover a extra experience and ability by spending more cash still when

[arlingtonalgebraprojectanswersunit3l6 pdf beta sischef](#) - Jan 07 2023

web arlingtonalgebraprojectanswersunit3l6 2 2 downloaded from beta sischef com on by guest our 140 degree programs and see why we 39 re ranked as a top value in

**get free arlington algebra project answers unit 3 l6 pdf for** - Apr 10 2023

web aug 15 2023 get free arlington algebra project answers unit 3 l6 pdf for free hands on math projects with real life applications key to the first lessons in

**arlington algebra project answers unit 3 l6 tunxis community** - Nov 05 2022

web oct 24 2022 arlington algebra project answers unit 3 l6 is available in our book collection an online access to it is set as public so you can get it instantly our book

**arlington algebra project answers unit 3 l6 lp docseducation** - Feb 08 2023

web this arlington algebra project answers unit 3 l6 as one of the predominant working sellers here will entirely be paired with by the best alternatives to review

**arlington algebra project answers unit 3 l6 pdf pdf** - Mar 29 2022

web arlington algebra project answers unit 3 l6 pdf reviewing arlington algebra project answers unit 3 l6 pdf unlocking the spellbinding force of linguistics in a fast paced

arlington algebra project answers unit 3 l6 robert burch copy - Mar 09 2023

web jan 10 2023 arlington algebra project answers unit 3 l6 eventually you will definitely discover a supplementary experience and execution by spending more cash yet when

**arlington algebra project answers unit 3 l6 pdf pdf support ortax** - Jun 12 2023

web title arlington algebra project answers unit 3 l6 pdf pdf support ortax org created date 9 3 2023 7 53 53 pm

**arlingtonalgebraprojectanswersunit3l6 download only** - Sep 03 2022

web arlingtonalgebraprojectanswersunit3l6 1 arlingtonalgebraprojectanswersunit3l6 getting the books

arlingtonalgebraprojectanswersunit3l6 now is not type of

arlington algebra project answers unit 3 l6 test naf - Feb 25 2022

web may 31 2023 along with manuals you could savor the moment is arlington algebra project answers unit 3 l6 below perhaps you have expertise that people have look

*6306 arlington ave los angeles ca 90043 redfin* - Oct 24 2021

web oct 7 2002 nearby homes similar to 6306 arlington ave have recently sold between 400k to 1m at an average of 515 per square foot sold mar 14 2023 1 225 000

*arlington algebra project answers unit 3 l6 alice r mccarthy* - Jul 13 2023

web kindly say the arlington algebra project answers unit 3 l6 is universally compatible with any devices to read study guide for stewart s single variable calculus early

**arlington algebra project answers unit 3 l6 lorin w anderson** - Aug 02 2022

web this arlington algebra project answers unit 3 l6 as one of the most operating sellers here will enormously be along with

the best options to review single variable calculus

[ich war hier von kate pocrass portofrei bei bücher de bestellen](#) - Aug 06 2023

web ich war hier das travel tagebuch Übersetzung trinkaus petra broschiertes buch 1 kundenbewertung auf die merkliste bewerten teilen produkterinnerung weg mit den

**tagebuch einer reise craig thompson matthias wieland** - Jan 19 2022

web craig thompson tagebuch einer reise taschenbuch 1 oktober 2005 von craig thompson autor matthias wieland Übersetzer 4 7 6 sternebewertungen alle

[ich war hier das travel tagebuch paperback 16 maart 2012](#) - Mar 01 2023

web ich war hier das travel tagebuch pocrass kate trinkaus petra amazon nl boeken

**ich war hier das travel tagebuch kate pocrass google books** - Jul 05 2023

web wie wäre es mal mit aus der hüfte geschossenen schnappschüssen statt postkartenidyllen oder wenn sie sich von einheimischen ihren Lieblingsplatz in der

[ich war hier das travel tagebuch download only](#) - Nov 16 2021

web ich war hier das travel tagebuch 3 3 reisen sie einmal ganz anders wie wäre es mal mit aus der hüfte geschossenen schnappschüssen statt postkartenidyllen oder wenn

**ich war hier das travel tagebuch amazon es libros** - Aug 26 2022

web ich war hier das travel tagebuch amazon es libros saltar al contenido principal es hola elige tu dirección libros es hola identificate cuenta y listas devoluciones y

**amazon com au customer reviews ich war hier das travel** - Sep 26 2022

web find helpful customer reviews and review ratings for ich war hier das travel tagebuch at amazon com read honest and unbiased product reviews from our users

[ich war hier das travel tagebuch amazon de](#) - Oct 08 2023

web das tagebuch ist am ehesten für einen kurztrip geeignet da der platz für den täglichen bericht etwas knapp bemessen ist und sich viele der interessanten ideen leichter in einer

[amazon de kundenrezensionen ich war hier das travel](#) - Dec 30 2022

web finde hilfreiche kundenrezensionen und rezensionsbewertungen für ich war hier das travel tagebuch von kate pocrass 16 märz 2012 auf amazon de lese ehrliche

*ich war hier das travel tagebuch paperback amazon com au* - Jun 04 2023

web ich war hier das travel tagebuch on amazon com au free shipping on eligible orders ich war hier das travel tagebuch

**amazon de kundenrezensionen ich war hier das travel** - Apr 02 2023

web finde hilfreiche kundenrezensionen und rezensionsbewertungen für ich war hier das travel tagebuch auf amazon de lese ehrliche und unvoreingenommene

ich war hier das travel tagebuch pinterest - Feb 17 2022

web 10 07 2017 ich war hier das travel tagebuch pocrass kate trinkaus petra amazon de bücher

*ich war hier das travel tagebuch ebay* - Jul 25 2022

web entdecken sie ich war hier das travel tagebuch in der großen auswahl bei ebay kostenlose lieferung für viele artikel

amazon fr ich war hier das travel tagebuch livres - Oct 28 2022

web noté 5 retrouvez ich war hier das travel tagebuch et des millions de livres en stock sur amazon fr achetez neuf ou d occasion

**ich war hier das travel tagebuch booklooker** - Jun 23 2022

web ich war hier das travel tagebuch bücher gebraucht antiquarisch neu kaufen preisvergleich käuferschutz wir bücher

**ich war hier das travel tagebuch 9783785724507 abebooks** - Jan 31 2023

web ich war hier das travel tagebuch bei abebooks de isbn 10 3785724500 isbn 13 9783785724507 softcover

*ich war hier das travel tagebuch by amazon ae* - May 03 2023

web buy ich war hier das travel tagebuch by online on amazon ae at best prices fast and free shipping free returns cash on delivery available on eligible purchase

**ich war hier das travel tagebuch lovelybooks** - Sep 07 2023

web mar 16 2012 weg mit den langweiligen touri trampelpfaden her mit dem wirklich individuellen urlaub lassen sie sich von diesem mitmachbuch inspirieren und reisen

**ich war hier das travel tagebuch amazon com br** - Nov 28 2022

web compre online ich war hier das travel tagebuch de na amazon frete grátis em milhares de produtos com o amazon prime encontre diversos livros em inglês e outras

**amazon com mx opiniones de clientes ich war hier das travel** - May 23 2022

web vea reseñas y calificaciones de reseñas que otros clientes han escrito de ich war hier das travel tagebuch en amazon com lea reseñas de productos sinceras e

reisetagebuch meine reise nach london amazon de - Dec 18 2021

web reisetagebuch meine reise nach london vermes frank isbn 9781304692221 kostenloser versand für alle bücher mit versand und verkauf duch amazon

ich war hier das travel tagebuch reisetagebuch ebay - Apr 21 2022

web entdecken sie ich war hier das travel tagebuch reisetagebuch in der großen auswahl bei ebay kostenlose lieferung für

viele artikel

*reisetagebücher und notizbücher für reisende rucksack rauf* - Mar 21 2022

web oct 24 2018 das ich war hier tagebuch ist voll mit zahlreichen tipps und vorschlägen mit denen man abseits der touristenpfade eine stadt entdecken kann und

**kuis ioner cuci tangan pdf scribd** - Aug 07 2022

web scribd adalah situs bacaan dan penerbitan sosial terbesar di dunia

**pertanyaan kuis seputar cuci tangan pdf scribd** - Jun 05 2022

web pertanyaan kuis seputar cuci tangan by desta1prasetya pertanyaan kuis seputar cuci tangan buka menu navigasi tutup saran cari cari id change language ubah bahasa close menu bahasa english kuesioner ph kuesioner ph adam yusup satuan acara penyuluhan ctps sd 11 satuan acara penyuluhan ctps sd 11 titi nurdiana pak

kuesioner tentang pengetahuan dan informasi kebersihan tangan - Sep 08 2022

web 2 kebersihan tangan dapat mengurangi jumlah mikroorganisme 3 indikasi kebersihan tangan hanya sebelum melaksanakan tindakan keperawatan 4 waktu yang tepat untuk kebersihan tangan segera setelah tiba di tempat kerja 5 jika tangan terkena cairan tubuh melakukan kebersihan tangan dengan mencuci tangan memakai sabun dan air mengalir

**pdf sosialisasi bahaya leptospirosis dan pelatihan cuci tangan** - Apr 03 2022

web oct 31 2023 hasil nilai kuesioner pretest dan posttest pada peserta penyuluhan bahaya leptospirosis dan pelatihan cara mencuci tangan menunjukkan terdapat peningkatan nilai dari sebelum dan sesudah

*kuesioner mini project cuci tangan pakai sabun documents* - Nov 10 2022

web kelas pengetahuan tentang mencuci tangan berilah tanda conteng pada salah satu pilihan yang kamu anggap benar no pertanyaan ya 1 mencuci tangan adalah membersihkan tangan dan jari jari menggunakan air mengalir dan sabun 2 mencuci tangan dengan bersih dapat mencegah penyakit dan memutus penyebaran

**kuesioner inos cuci tangan pdf scribd** - May 04 2022

web tentang pencegahan infeksi nosokomial cuci tangan keluarga pasien pada ruang stroke unit rst dr soepraoen malang i identitas responden 1 nama 2 umur 3

kuis ioner cuci tangan pdf scribd - Jun 17 2023

web 1 mencuci tangan sebaiknya menggunakan a sabun b handrub alkohol c air bersih mengalir d a dan c benar e semua benar 2 apa tujuan mencuci tangan a untuk menghilangkan kotoran dari kulit secara mekanis dan mengurangi jumlah mikroorganisme kuman sementara b membersihkan tangan dari virus dan bakteri yang

*kuesioner tentang mencuci tangan pdf scribd* - Apr 15 2023

web kuesioner tentang mencuci tangan data responden 1 nama 2 umur 3 pekerjaan 1 apakah bapak ibu mencuci tangan

sebelum mengolah makanan a ya b tidak 2 apakah bapak ibu sesudah keluar dari kamar mandi mencuci tangan pakai sabun a ya b tidak 3 apakah anda pernah mendapat penyuluhan mengenai cuci

**pdf tingkat pengetahuan dengan perilaku mencuci tangan** - Oct 09 2022

web sep 15 2020 kuesioner tingkat pengetahuan dengan r hitung 0 409 0 738 dan nilai cronbach s alpha 0 705 sedangkan kuesioner perilaku mencuci tangan dengan r hitung 0 484 0 870 dan nilai cronbach s

*sim kkn universitas pendidikan ganesha* - Mar 02 2022

web jul 15 2021 pada minggu kedua pelaksanaan kknbd hari kamis 15 juli 2021 saya memberikan materi kedua mengenai cara mencuci tangan yang baik dan benar dalam bentuk foto dan juga video tutorial kepada masyarakat sasaran melalui wa group diskusi yang dilakukan dimulai dari pukul 10 41 13 19 wita berikut 4 pertanyaan yang

**kuesioner 5 momen cuci tangan 6 langkah docx** - Dec 11 2022

web saya mengetahui cara cuci tangan 6 langkah saya mengetahui tujuan cuci tangan 6 langkah saya selalu cuci tangan 6 langkah sebelum menyentuh pasien saya selalu cuci tangan 6 langkah sebelum melakukan tindakan aseptik bersih saya selalu cuci tangan 6 langkah setelah tangan terkena cairan tubuh pasien saya selalu cuci tangan 6 langkah

*hubungan pengetahuan dan sikap dengan perilaku kebiasaan cuci tangan* - Jul 06 2022

web alat pengumpulan data menggunakan kuesioner pengetahuan sikap dan perilaku cuci tangan pakai sabun di masa pandemi covid 19 hasil penelitian menunjukkan sebanyak 95 6 responden memiliki pengetahuan yang cukup terhadap kebiasaan cuci tangan pakai sabun 95 6 responden memiliki sikap positif terhadap kebiasaan cuci tangan pakai

**kuesioner mini project cuci tangan pakai sabun pdf scribd** - Oct 21 2023

web mencuci tangan dengan bersih dapat mencegah penyakit dan memutus penyebaran kuman mengusapkan antiseptic seperti antis detol pada tangan dan jari merupakan bagian dari cuci tangan sebelum dan sesudah makan mencuci tangan pakai sabun mencuci tangan pakai sabun diperlukan setelah kita bermain berolahraga waktu yang

kuesioner hand hygiene pdf scribd - Jul 18 2023

web tangan dibandingkan mencuci tangan dengan sabun antimikroba dan air tindakan handrub lebih menyebabkan kulit menjadi kering dibandingkan mencuci tangan dengan sabun antimikroba dan air tindakan handrub lebih efektif membasmi mikroorganisme patogen dibandingkan mencuci tangan dengan sabun antimikroba dan air mencuci

kuesioner kemampuan cuci tangan pdf scribd - Feb 13 2023

web kuesioner kemampuan cuci tangan by indahqolbiyati unduh sebagai docx pdf txt atau baca online dari scribd

*kuesioner cuci tangan pdf scribd* - Aug 19 2023

web 2 waktu yang dibutuhkan untuk cuci tangan adalah 5 menit b s 3 mencuci tangan pakai sabun diperlukan setelah menyentuh b s hewan unggas termasuk hewan peliharaan 4 mencuci tangan dengan sabun tidak diperlukan sebelum tidur b

s 5 setelah mencuci tangan tidak diperlukan mengeringkan tangan b s dengan lap tisu

*kuesioner cuci tangan pdf scribd* - May 16 2023

web kuesioner cuci tangan no pertanyaan ya tidak 1 mencuci tangan adalah membersihkan tangan dan jari jari menggunakan air mengalir dan sabun 2 mencuci tangan dengan bersih dapat mencegah penyakit dan memutus penyebaran kuman 3 sebelum dan sesudah makan

kuesioner cuci tangan pakai sabun pengetahuan - Sep 20 2023

web kuesioner cuci tangan pakai sabun pengetahuan 1 apakah anda pernah tangan adalah penyakit diare mendapatkan penyuluhan bagaimana penularan penyakit mengenai cuci tangan diare

**pengetahuan dan sikap mencuci tangan yang** - Jan 12 2023

web pengumpulan data menggunakan instrumen kuesioner yang diisi secara langsung oleh siswa populasi penelitian sebanyak 110 siswa pengambian sampel menggunakan teknik proportional random sampling didapat sebanyak 51 siswa hasil penelitian menunjukkan kategori pengetahuan cukup sebanyak 20 siswa 39 22 kurang sebanyak 31 siswa

**kuesioner cuci tangan pdf scribd** - Mar 14 2023

web kuesioner cuci tangan pengetahuan 1 apakah anda pernah mendapatkan penyuluhan cuci tangan a ya b tidak 2 ada berapa langkah cuci tangan yang benar a 6 b 10 c 14 3 kapan saja waktu yang tepat untuk cuci tangan a sebelum tidur b sebelum pagi c sebelum makan 4 penyakit apa yang dapat ditimbulkan bila kita tidak