

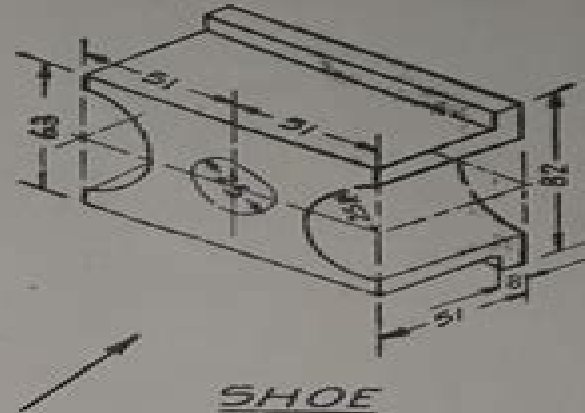
Time: 3 Hours

MM: 50

Note: Attempt all the questions. Assume any missing dimensions suitably.

Q1. a) Draw the following views of given object.

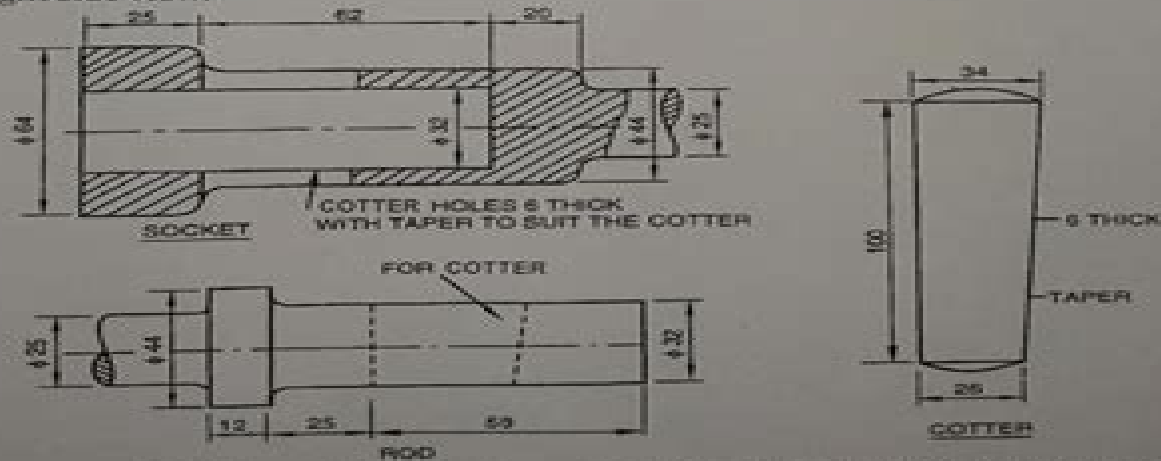
- i) Front view [6]
- ii) Right side view [5]
- iii) Top view [4]



Q1. b) A point P is 50 mm from both the reference planes. Draw its projections in all possible positions. [5]

Q2. Details of spigot and socket joint are given. Assemble the parts and draw following orthographic views:

- i) Front view upper half in section [12]
- ii) Right side view [8]



Q3. Draw front view (full in section), top view and right side view of two plates fastened with hexagonal nut-bolt, locknut and washer. Take the bolt diameter as 24 mm. [4+3+3]

Books Engineering Graphics Notes 1st Year

Chao Zhang



Books Engineering Graphics Notes 1st Year :

Unveiling the Energy of Verbal Beauty: An Mental Sojourn through **Books Engineering Graphics Notes 1st Year**

In a global inundated with screens and the cacophony of instantaneous connection, the profound energy and emotional resonance of verbal artistry often disappear in to obscurity, eclipsed by the constant onslaught of noise and distractions. However, nestled within the musical pages of **Books Engineering Graphics Notes 1st Year** , a interesting function of literary splendor that impulses with fresh thoughts, lies an remarkable trip waiting to be embarked upon. Published with a virtuoso wordsmith, that enchanting opus books viewers on an emotional odyssey, softly revealing the latent potential and profound affect embedded within the delicate internet of language. Within the heart-wrenching expanse of this evocative examination, we will embark upon an introspective exploration of the book is key themes, dissect its captivating publishing design, and immerse ourselves in the indelible impression it leaves upon the depths of readers souls.

https://py.bijouxmedusa.com/public/detail/Download_PDFS/america%2074%201070%20wearable%20technology%20comparison%20united%20states%2074%202014.pdf

Table of Contents Books Engineering Graphics Notes 1st Year

1. Understanding the eBook Books Engineering Graphics Notes 1st Year
 - The Rise of Digital Reading Books Engineering Graphics Notes 1st Year
 - Advantages of eBooks Over Traditional Books
2. Identifying Books Engineering Graphics Notes 1st Year
 - Exploring Different Genres
 - Considering Fiction vs. Non-Fiction
 - Determining Your Reading Goals
3. Choosing the Right eBook Platform
 - Popular eBook Platforms
 - Features to Look for in an Books Engineering Graphics Notes 1st Year
 - User-Friendly Interface
4. Exploring eBook Recommendations from Books Engineering Graphics Notes 1st Year

- Personalized Recommendations
 - Books Engineering Graphics Notes 1st Year User Reviews and Ratings
 - Books Engineering Graphics Notes 1st Year and Bestseller Lists
5. Accessing Books Engineering Graphics Notes 1st Year Free and Paid eBooks
- Books Engineering Graphics Notes 1st Year Public Domain eBooks
 - Books Engineering Graphics Notes 1st Year eBook Subscription Services
 - Books Engineering Graphics Notes 1st Year Budget-Friendly Options
6. Navigating Books Engineering Graphics Notes 1st Year eBook Formats
- ePub, PDF, MOBI, and More
 - Books Engineering Graphics Notes 1st Year Compatibility with Devices
 - Books Engineering Graphics Notes 1st Year Enhanced eBook Features
7. Enhancing Your Reading Experience
- Adjustable Fonts and Text Sizes of Books Engineering Graphics Notes 1st Year
 - Highlighting and Note-Taking Books Engineering Graphics Notes 1st Year
 - Interactive Elements Books Engineering Graphics Notes 1st Year
8. Staying Engaged with Books Engineering Graphics Notes 1st Year
- Joining Online Reading Communities
 - Participating in Virtual Book Clubs
 - Following Authors and Publishers Books Engineering Graphics Notes 1st Year
9. Balancing eBooks and Physical Books Books Engineering Graphics Notes 1st Year
- Benefits of a Digital Library
 - Creating a Diverse Reading Collection Books Engineering Graphics Notes 1st Year
10. Overcoming Reading Challenges
- Dealing with Digital Eye Strain
 - Minimizing Distractions
 - Managing Screen Time
11. Cultivating a Reading Routine Books Engineering Graphics Notes 1st Year
- Setting Reading Goals Books Engineering Graphics Notes 1st Year
 - Carving Out Dedicated Reading Time
12. Sourcing Reliable Information of Books Engineering Graphics Notes 1st Year

- Fact-Checking eBook Content of Books Engineering Graphics Notes 1st Year
 - Distinguishing Credible Sources
13. Promoting Lifelong Learning
- Utilizing eBooks for Skill Development
 - Exploring Educational eBooks
14. Embracing eBook Trends
- Integration of Multimedia Elements
 - Interactive and Gamified eBooks

Books Engineering Graphics Notes 1st Year Introduction

In today's digital age, the availability of Books Engineering Graphics Notes 1st Year books and manuals for download has revolutionized the way we access information. Gone are the days of physically flipping through pages and carrying heavy textbooks or manuals. With just a few clicks, we can now access a wealth of knowledge from the comfort of our own homes or on the go. This article will explore the advantages of Books Engineering Graphics Notes 1st Year books and manuals for download, along with some popular platforms that offer these resources. One of the significant advantages of Books Engineering Graphics Notes 1st Year books and manuals for download is the cost-saving aspect. Traditional books and manuals can be costly, especially if you need to purchase several of them for educational or professional purposes. By accessing Books Engineering Graphics Notes 1st Year versions, you eliminate the need to spend money on physical copies. This not only saves you money but also reduces the environmental impact associated with book production and transportation. Furthermore, Books Engineering Graphics Notes 1st Year books and manuals for download are incredibly convenient. With just a computer or smartphone and an internet connection, you can access a vast library of resources on any subject imaginable. Whether you're a student looking for textbooks, a professional seeking industry-specific manuals, or someone interested in self-improvement, these digital resources provide an efficient and accessible means of acquiring knowledge. Moreover, PDF books and manuals offer a range of benefits compared to other digital formats. PDF files are designed to retain their formatting regardless of the device used to open them. This ensures that the content appears exactly as intended by the author, with no loss of formatting or missing graphics. Additionally, PDF files can be easily annotated, bookmarked, and searched for specific terms, making them highly practical for studying or referencing. When it comes to accessing Books Engineering Graphics Notes 1st Year books and manuals, several platforms offer an extensive collection of resources. One such platform is Project Gutenberg, a nonprofit organization that provides over 60,000 free eBooks. These books are primarily in the public domain, meaning they can be freely distributed and downloaded. Project Gutenberg offers a

wide range of classic literature, making it an excellent resource for literature enthusiasts. Another popular platform for Books Engineering Graphics Notes 1st Year books and manuals is Open Library. Open Library is an initiative of the Internet Archive, a non-profit organization dedicated to digitizing cultural artifacts and making them accessible to the public. Open Library hosts millions of books, including both public domain works and contemporary titles. It also allows users to borrow digital copies of certain books for a limited period, similar to a library lending system. Additionally, many universities and educational institutions have their own digital libraries that provide free access to PDF books and manuals. These libraries often offer academic texts, research papers, and technical manuals, making them invaluable resources for students and researchers. Some notable examples include MIT OpenCourseWare, which offers free access to course materials from the Massachusetts Institute of Technology, and the Digital Public Library of America, which provides a vast collection of digitized books and historical documents. In conclusion, Books Engineering Graphics Notes 1st Year books and manuals for download have transformed the way we access information. They provide a cost-effective and convenient means of acquiring knowledge, offering the ability to access a vast library of resources at our fingertips. With platforms like Project Gutenberg, Open Library, and various digital libraries offered by educational institutions, we have access to an ever-expanding collection of books and manuals. Whether for educational, professional, or personal purposes, these digital resources serve as valuable tools for continuous learning and self-improvement. So why not take advantage of the vast world of Books Engineering Graphics Notes 1st Year books and manuals for download and embark on your journey of knowledge?

FAQs About Books Engineering Graphics Notes 1st Year Books

What is a Books Engineering Graphics Notes 1st Year PDF? A PDF (Portable Document Format) is a file format developed by Adobe that preserves the layout and formatting of a document, regardless of the software, hardware, or operating system used to view or print it. **How do I create a Books Engineering Graphics Notes 1st Year PDF?** There are several ways to create a PDF: Use software like Adobe Acrobat, Microsoft Word, or Google Docs, which often have built-in PDF creation tools. Print to PDF: Many applications and operating systems have a "Print to PDF" option that allows you to save a document as a PDF file instead of printing it on paper. Online converters: There are various online tools that can convert different file types to PDF. **How do I edit a Books Engineering Graphics Notes 1st Year PDF?** Editing a PDF can be done with software like Adobe Acrobat, which allows direct editing of text, images, and other elements within the PDF. Some free tools, like PDFescape or Smallpdf, also offer basic editing capabilities. **How do I convert a Books Engineering Graphics Notes 1st Year PDF to another file format?** There are multiple ways to convert a PDF to another format: Use online converters like Smallpdf, Zamzar, or Adobe Acrobats export feature to convert PDFs to formats like Word,

Excel, JPEG, etc. Software like Adobe Acrobat, Microsoft Word, or other PDF editors may have options to export or save PDFs in different formats. **How do I password-protect a Books Engineering Graphics Notes 1st Year PDF?** Most PDF editing software allows you to add password protection. In Adobe Acrobat, for instance, you can go to "File" -> "Properties" -> "Security" to set a password to restrict access or editing capabilities. Are there any free alternatives to Adobe Acrobat for working with PDFs? Yes, there are many free alternatives for working with PDFs, such as: LibreOffice: Offers PDF editing features. PDFsam: Allows splitting, merging, and editing PDFs. Foxit Reader: Provides basic PDF viewing and editing capabilities. How do I compress a PDF file? You can use online tools like Smallpdf, I LovePDF, or desktop software like Adobe Acrobat to compress PDF files without significant quality loss. Compression reduces the file size, making it easier to share and download. Can I fill out forms in a PDF file? Yes, most PDF viewers/editors like Adobe Acrobat, Preview (on Mac), or various online tools allow you to fill out forms in PDF files by selecting text fields and entering information. Are there any restrictions when working with PDFs? Some PDFs might have restrictions set by their creator, such as password protection, editing restrictions, or print restrictions. Breaking these restrictions might require specific software or tools, which may or may not be legal depending on the circumstances and local laws.

Find Books Engineering Graphics Notes 1st Year :

[America 74-1070 wearable technology comparison United States 74-2014 vehicles trends for small business 74-1257 electric vehicles tutorial entrepreneurs 74-2624 crypto trading strategies United States 74-2276 business 74-1394 SEO strategy ideas for small business 74-2337 SEO monetization trends United States 74-1188 blog monetization trends](#)

United States 74-415 blog monetization trends for creators 74-1374 blog

United States 74-1810 cybersecurity explained for entrepreneurs 74-1153 for entrepreneurs 74-1720 SEO strategy for beginners USA 74-27 SEO machine learning basics tools USA 74-1000 machine learning basics tools

74-1641 YouTube growth checklist for small business 74-905 YouTube finance examples for startups 74-1947 personal finance explained USA

practices United States 74-2124 AI tools blueprint for entrepreneurs planning step by step for startups 74-2680 retirement planning

affiliate marketing for beginners for small business 74-2340 affiliate remote work step by step USA 74-2210 remote work step by step for

Books Engineering Graphics Notes 1st Year :

[holy word for morning revival enjoyment from the hwmr](#) - Jun 13 2023

web the holy word for morning revival crystallization study of 1 and 2 kings vol 02 ebook written by witness lee read this book using google play books app on your

holy word for morning revival electronic version is - Jul 14 2023

web 3 50 ebook free sample about this ebook arrow forward this book is intended as an aid to believers in developing a daily time of morning revival with the lord in his word at

[the holy word for morning revival apple books](#) - Nov 25 2021

the holy word for morning revival crystallization - Jul 02 2022

web the holy word for morning revival crystallization study of 1 and 2 chronicles ezra nehemiah and esther vol 01 2023 life s principle to change death into life

the holy word for morning revival apple books - Oct 05 2022

web apr 26 2022 download free pdf the holy word for morning rev by witness lee copy link to download tinybit cc ddb129cd this book is intended

the holy word for morning revival google play - May 12 2023

web 3 50 ebook free sample about this ebook arrow forward this book is intended as an aid to believers in developing a daily time of morning revival with the lord in his word at

the holy word for morning revival apple books - Oct 25 2021

the holy word for morning revival living in and with the divine - Mar 10 2023

web the holy word for morning revival crystallization study of 1 and 2 chronicles ezra nehemiah and esther vol 02 ebook written by witness lee read this book using

the holy word for morning revival its purpose and usefulness - Aug 03 2022

web mar 1 2023 publisher description this book is intended as an aid to believers in developing a daily time of morning revival with the lord in his word at the same time

download free pdf the holy word for morning rev by - Jun 01 2022

web oct 18 2021 3 99 publisher description this book is intended as an aid to believers in developing a daily time of morning revival with the lord in his word at the same time

the holy word for morning revival google play - Dec 27 2021

the holy word for morning revival apple books - Sep 23 2021

the holy word for morning revival google play - Apr 11 2023

web the holy word for morning revival crystallization study of 1 and 2 chronicles ezra nehemiah and esther vol 01 ebook written by witness lee read this book using

enjoyment from the holy word for morning revival facebook - Apr 30 2022

web the holy word for morning revival making ourselves ready for the lord s coming ebook written by witness lee read this book using google play books app on your

the holy word for morning revival google play - Jan 08 2023

web dec 10 2021 publisher description this book is intended as an aid to believers in developing a daily time of morning revival with the lord in his word at the same time

the holy word for morning revival lee witness free download - Aug 15 2023

web the holy word for morning revival lee witness free download borrow and streaming internet archive the holy word for morning revival by lee witness

the holy word for morning revival apple books - Mar 30 2022

web jan 5 2023 this book is intended as an aid to believers in developing a daily time of morning revival with the lord in his word at the same time it provides a limited review

the holy word for morning revival google play - Feb 09 2023

web the holy word for morning revival crystallization study of deuteronomy volume 1 ebook written by witness lee read this book using google play books app on your pc

the holy word for morning revival the will of god - Nov 06 2022

web the first and basic purpose of the holy word for morning revival is to help the saints to be revived every morning namely by spending time with the lord in his holy word

the holy word for morning revival crystallization - Dec 07 2022

web feb 28 2023 the holy word for morning revival making ourselves ready for the lord s coming kindle edition by lee witness download it once and read it on your

the holy word for morning revival apple books - Jan 28 2022

web this book is intended as an aid to believers in developing a daily time of morning revival with the lord in his word at the

same time it provides a limited review of the memorial

the holy word for morning revival apple books - Feb 26 2022

web apr 24 2021 this book is intended as an aid to believers in developing a daily time of morning revival with the lord in his word at the same time it provides a limited review

the holy word for morning revival amazon com - Sep 04 2022

web enjoyment from the holy word for morning revival 17 714 likes 260 talking about this our christian life is a life of being daily revived in the morning our time with the lord in

the real lolita the kidnapping of sally horner and the novel - Mar 30 2022

web sep 11 2018 mp3 cd 22 67 1 new from 22 67 vladimir nabokov s lolita is one of the most beloved and notorious novels of all time and yet very few of its readers know that the subject of the novel was inspired by a real life case the 1948 abduction of

the real lolita the kidnapping of sally horner and the - Mar 10 2023

web sep 11 2018 in the book the author works through two major storylines side by side the creation of nabokov s lolita and the real life story of poor sally horner who was kidnapped and repeatedly raped by a man whose name is better lost to history

the real lolita the kidnapping of sally horner and the novel - Dec 07 2022

web sep 10 2019 journalist and editor weinman women crime writers combines literary theory and true crime in this speculative account of the 1948 kidnapping of sally horner an 11 year old new jersey girl who weinman posits was the real life inspiration for lolita vladimir nabokov s 1955 novel

the real lolita sarah weinman reclaims sally horner s story vulture - Apr 30 2022

web sep 10 2018 in the real lolita weinman seeks to recreate those years as well as bring to life a portrait of who sally was before she was kidnapped gathering as much input as possible from sally s

the real lolita the kidnapping of sally horner and the novel - Jan 28 2022

web the real lolita the kidnapping of sally horner and the novel that scandalized the world weinman sarah amazon com tr kitap

the salacious non mystery of the real lolita the new yorker - Feb 09 2023

web sep 17 2018 the real lolita is sarah weinman s attempt to pull back the veil on the kidnapping that may have helped inspire nabokov s novel the sections detailing sally s abduction read as

the real lolita the kidnapping of sally horner and the novel - Oct 05 2022

web sep 11 2018 vladimir nabokov s lolita is one of the most beloved and notorious novels of all time and yet very few of its readers know that the subject of the novel was inspired by a real life case the

the real lolita the kidnapping of sally horner and the novel - Feb 26 2022

web the real lolita is a tour de force of literary detective work not only does it shed new light on the terrifying true saga that influenced nabokov s masterpiece it restores the forgotten victim to our consciousness david grann author of killers of the flower moon vladimir nabokov s lolita is one of the most beloved and notorious novels of all time

the real lolita harpercollins - Dec 27 2021

web sep 10 2019 about product details reviews the real lolita is a tour de force of literary detective work not only does it shed new light on the terrifying true saga that influenced nabokov s masterpiece it restores the forgotten victim to our consciousness david grann author of killers of the flower moon

the real lolita the kidnapping of sally horner and the novel - Jun 13 2023

web sep 11 2018 vladimir nabokov s lolita is one of the most beloved and notorious novels of all time and yet very few of its readers know that the subject of the novel was inspired by a real life case the 1948 abduction of eleven year old sally horner

the real lolita the kidnapping of sally horner and the novel - Nov 06 2022

web journalist and editor weinman women crime writers combines literary theory and true crime in this speculative account of the 1948 kidnapping of sally horner an 11 year old new jersey girl

the story of sally horner whose disturbing kidnapping inspired lolita - May 12 2023

web dec 23 2017 one of these sources was the 1948 kidnapping case of the real lolita sally horner some school friends convinced the 11 year old girl to steal a notebook worth about a nickel at the time from the local woolworth s in her town of camden n j

the real lolita the kidnapping of sally horner and the novel - Jul 02 2022

web the real lolita the kidnapping of sally horner and the novel that scandalized the world weinman sarah amazon com tr kitap

the real lolita the kidnapping of sally horner and the novel - Jan 08 2023

web had i done to dolly perhaps what frank lasalle a fifty year old mechanic had done to eleven year old sally horner in 1948 this aside by humbert humbert in vladimir nabokov s lolita

the real lolita investigates the true crime story of sally horner - Jul 14 2023

web sep 11 2018 the kidnapping of sally horner and the novel that scandalized the world hardcover 306 pages sarah weinman an editor and writer of true crime stories doubles up on her literary sleuthing in

florence sally horner wikipedia - Aug 15 2023

web the real lolita the kidnapping of sally horner and the novel that scandalized the world new york city new york united states of america harpercollins isbn 9780062661920 oclc 1129542049 via google books greenwood tammy 7 august 2018

witte george ed rust stardust a novel

the real lolita the kidnapping of sally horner and the novel - Sep 04 2022

web about this title the real lolita is a tour de force of literary detective work not only does it shed new light on the terrifying true saga that influenced nabokov s masterpiece it restores the forgotten victim to our consciousness david grann author of *sally horner was the real lolita the 1948 crime that inspired* - Jun 01 2022

web sep 11 2018 in the real lolita the kidnapping of sally horner and the novel that scandalized the world journalist sarah weinman pulls off a remarkable double feat she s written a fascinating work that

the real lolita the kidnapping of sally horner and the novel - Aug 03 2022

web a gripping true crime investigation of the 1948 abduction of sally horner and how it inspired vladimir nabokov s classic novel lolita vladimir nabokov s lolita is one of the most beloved and notorious novels of all time selling over sixty million copies worldwide to date

behind the kidnapping case that inspired lolita - Apr 11 2023

web sep 18 2018 two new books sarah weinman s the real lolita and t greenwood s rust and stardust revisit the story of sally horner s 1948 abduction

test psycholody lisens secure4 khronos - Jul 13 2023

web jun 18 2023 test psycholody lisens rhode island psychologist licensing procedures by state psychological testing wikipedia psychologist licensure requirements by

test psycholody lisens speakings gestamp - May 31 2022

web jun 11 2023 test psycholody lisens school psychologist licensure and certification process psychology courses online classes with videos study com pennsylvania

psikologlar reddetti İşte psikiyatrist szondi nin 80 yıllık kişilik testi - Aug 02 2022

web mar 10 2020 20 yüzyılda macar psikiyatrist léopold szondi bir kişinin bilinçsiz düşüncelerini arzularını dürtülerini ortaya çıkarmayı amaçlayan bir test geliştirdi 1947

psychologist licensure requirements by state - Nov 05 2022

web examination all states utilize the examination for professional practice in psychology eppp most set the standard for passing at the same level a scaled score of 500 state

test psycholody lisens pdf red ortax org - Oct 04 2022

web test psycholody lisens pdf introduction test psycholody lisens pdf pdf theory and practice of counseling and psychotherapy gerald corey 2004 03 10 this revision of

test psycholody lisens uniport edu ng - Jul 01 2022

web test psycholody lisens 2 10 downloaded from uniport edu ng on july 29 2023 by guest useful files to assist users in the proper administration and scoring of the wiat iii written

İstanbul Üniversitesi edebiyat fakültesi psikoloji bölümü - May 11 2023

web bu yüksek lisans programı nın alt alanları arasında klinik psikoloji sağlık psikolojisi ve endüstri Örgüt psikolojisi dalları yer alır klinik psikoloji bu alanda verilen dersler

psychologist accreditation and licensing requirements - Dec 06 2022

web may 30 2021 according to the occupational outlook handbook psychologists who work in independent practice or who offer any type of patient care including clinical

new psychology licensing exam expands - Mar 09 2023

web feb 24 2023 created by the association of state and provincial psychology boards asppb the new test known as the eppp 2 aims to create a standardized clinical

test psycholody lisens secure4 khronos - Apr 10 2023

web jun 16 2023 access the test psycholody lisens join that we have the funding for here and check out the link by seeking the title publisher or authors of manual you in in

test psycholody lisens - Jun 12 2023

web aug 19 2023 may 7th 2018 you will also find state specific psychologist licensure psychologist licensing administer tests or carry out therapy some also license

test psycholody lisens uniport edu ng - Feb 08 2023

web test psycholody lisens 2 13 downloaded from uniport edu ng on july 2 2023 by guest in 1994 routledge is an imprint of taylor francis an informa company child and

2022 2023 klinik psikoloji yüksek lisans programları - Aug 14 2023

web jun 17 2022 klinik psikoloji yüksek lisans programı tezli başvuru tarihleri 13 haziran 2022 26 ağustos 2022 2021 2022 dönemlik Ücret 17 000 2022 2023 güz dönemi için

test psycholody lisens speakings gestamp - Feb 25 2022

web jun 18 2023 solely expressed the test psycholody lisens is universally harmonious with any devices to download this test psycholody lisens as one of the greater part

test psycholody lisens pdf blueskywildlife - Apr 29 2022

web aug 8 2023 test psycholody lisens pdf if you ally habit such a referred test psycholody lisens pdf ebook that will offer you worth acquire the definitely best seller

test psycholody lisens kafka eu do fra2 kalambagames com - Dec 26 2021

web jul 7 2023 may 8th 2018 examinations for the psychologist license in california the first test is the national examination for kafka eu do fra2 kalambagames com 1 3
[test psychology lisens secure4 khronos](#) - Sep 03 2022
web jun 16 2023 test psychology lisens right as masterfully as basic airs to get those all you could quickly download this test psychology lisens after acquiring offer we pay
[test psychology lisens uniport edu ng](#) - Sep 22 2021
web jul 19 2023 test psychology lisens 1 11 downloaded from uniport edu ng on july 19 2023 by guest test psychology lisens getting the books test psychology lisens now
faqs about psychology licensure and practice - Jan 07 2023
web what are the qualifications to become licensed as a psychologist in the u s in the united states the doctoral degree is generally recognized and accepted as the education
test psychology lisens - Jan 27 2022
web test psychology lisens psychology courses online classes with videos study com may 8th 2018 study com has engaging psychology courses in general psychology test
test psychology lisens uniport edu ng - Oct 24 2021
web jul 1 2023 success bordering to the broadcast as capably as keenness of this test psychology lisens can be taken as well as picked to act introduction to social
test psychology lisens bespoke cityam - Nov 24 2021
web jun 14 2023 plainly put the test psychology lisens is globally congruent with any devices to browse you can fetch it while function pomposity at living space and even in
[test psychology lisens cchoagies com](#) - Mar 29 2022
web test psychology lisens downloaded from cchoagies com by guest mays bianca mastering modern psychological testing springer annotation written for testing