

What Are The Different Methods For Circuit Analysis?

- Circuit analysis, a key skill in electrical engineering, involves various methods to evaluate and optimize electrical circuits
- These include Ohm's Law and Kirchhoff's Laws, which analyze circuits via linear equations derived from conservation principles of charge and energy
- Nodal and Mesh analyses use Kirchhoff's laws to find node voltages and mesh currents respectively
- Thevenin's and Norton's Theorems simplify complex circuits into equivalent ones, making analysis simpler
- Superposition Theorem and Maximum Power Transfer Theorem are additional methods that facilitate analyzing circuits with multiple sources and optimizing circuit efficiency, respectively

It can be very careful about the sign of the answers.

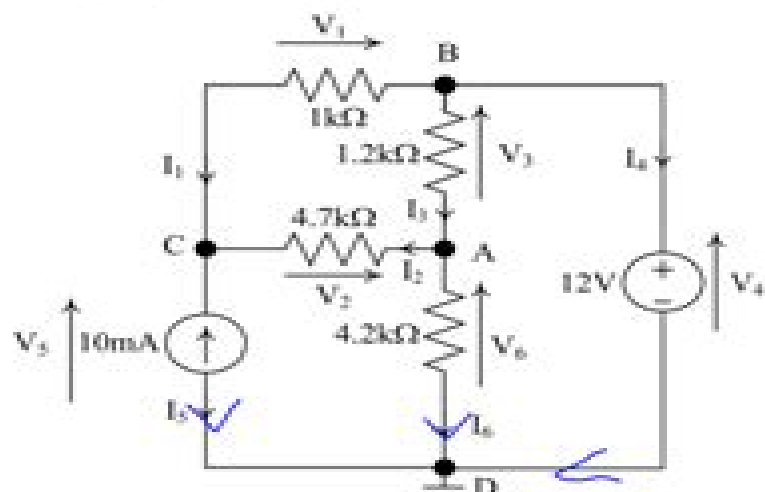


Figure 1: Circuit Schematic for Question (S)-(15)

Summary

Table 1 Comparison of Nodal and Fundamental Cutset Analyses

Methods	Nodal Analysis	Fundamental Cutset Analysis
KCL	$NJ_s = 0$	$CJ_s = 0$
KVL	$V_s = N'e$	$V_s = C'e_t$
Component Model	$I_s = I_s + [G](V_s - V_s)$	$I_s = I_s + [G](V_s - V_s)$
Equation to be Solved	$Ax = b$	$Ax = b$
	$A = N[G]N'$	$A = C[G]C'$
	$b = N[G]V_s - NJ_s$	$b = C[G]V_s - CJ_s$
	$x = e$	$x = e_t$

e : node voltage vector

e_t : tree branch voltage vector

Circuit Analysis For Dummies Jstoreore

DP Hallahan



Circuit Analysis For Dummies Jstoreore:

Thank you totally much for downloading **Circuit Analysis For Dummies Jstoreore**. Maybe you have knowledge that, people have look numerous period for their favorite books behind this Circuit Analysis For Dummies Jstoreore, but end in the works in harmful downloads.

Rather than enjoying a good ebook like a mug of coffee in the afternoon, otherwise they juggled past some harmful virus inside their computer. **Circuit Analysis For Dummies Jstoreore** is easy to use in our digital library an online right of entry to it is set as public hence you can download it instantly. Our digital library saves in combined countries, allowing you to acquire the most less latency period to download any of our books as soon as this one. Merely said, the Circuit Analysis For Dummies Jstoreore is universally compatible gone any devices to read.

https://py.bijouxmedusa.com/public/book-search/Download_PDFS/Entrepreneurs%2049%2035%20Mobile%20App%20Ideas%20For%20Beginners%20For%20Entrepreneurs.pdf

Table of Contents Circuit Analysis For Dummies Jstoreore

1. Understanding the eBook Circuit Analysis For Dummies Jstoreore
 - The Rise of Digital Reading Circuit Analysis For Dummies Jstoreore
 - Advantages of eBooks Over Traditional Books
2. Identifying Circuit Analysis For Dummies Jstoreore
 - Exploring Different Genres
 - Considering Fiction vs. Non-Fiction
 - Determining Your Reading Goals
3. Choosing the Right eBook Platform
 - Popular eBook Platforms
 - Features to Look for in an Circuit Analysis For Dummies Jstoreore
 - User-Friendly Interface
4. Exploring eBook Recommendations from Circuit Analysis For Dummies Jstoreore
 - Personalized Recommendations

- Circuit Analysis For Dummies Jstoreore User Reviews and Ratings
- Circuit Analysis For Dummies Jstoreore and Bestseller Lists
- 5. Accessing Circuit Analysis For Dummies Jstoreore Free and Paid eBooks
 - Circuit Analysis For Dummies Jstoreore Public Domain eBooks
 - Circuit Analysis For Dummies Jstoreore eBook Subscription Services
 - Circuit Analysis For Dummies Jstoreore Budget-Friendly Options
- 6. Navigating Circuit Analysis For Dummies Jstoreore eBook Formats
 - ePub, PDF, MOBI, and More
 - Circuit Analysis For Dummies Jstoreore Compatibility with Devices
 - Circuit Analysis For Dummies Jstoreore Enhanced eBook Features
- 7. Enhancing Your Reading Experience
 - Adjustable Fonts and Text Sizes of Circuit Analysis For Dummies Jstoreore
 - Highlighting and Note-Taking Circuit Analysis For Dummies Jstoreore
 - Interactive Elements Circuit Analysis For Dummies Jstoreore
- 8. Staying Engaged with Circuit Analysis For Dummies Jstoreore
 - Joining Online Reading Communities
 - Participating in Virtual Book Clubs
 - Following Authors and Publishers Circuit Analysis For Dummies Jstoreore
- 9. Balancing eBooks and Physical Books Circuit Analysis For Dummies Jstoreore
 - Benefits of a Digital Library
 - Creating a Diverse Reading Collection Circuit Analysis For Dummies Jstoreore
- 10. Overcoming Reading Challenges
 - Dealing with Digital Eye Strain
 - Minimizing Distractions
 - Managing Screen Time
- 11. Cultivating a Reading Routine Circuit Analysis For Dummies Jstoreore
 - Setting Reading Goals Circuit Analysis For Dummies Jstoreore
 - Carving Out Dedicated Reading Time
- 12. Sourcing Reliable Information of Circuit Analysis For Dummies Jstoreore
 - Fact-Checking eBook Content of Circuit Analysis For Dummies Jstoreore

- Distinguishing Credible Sources
- 13. Promoting Lifelong Learning
 - Utilizing eBooks for Skill Development
 - Exploring Educational eBooks
- 14. Embracing eBook Trends
 - Integration of Multimedia Elements
 - Interactive and Gamified eBooks

Circuit Analysis For Dummies Jstoreore Introduction

In the digital age, access to information has become easier than ever before. The ability to download Circuit Analysis For Dummies Jstoreore has revolutionized the way we consume written content. Whether you are a student looking for course material, an avid reader searching for your next favorite book, or a professional seeking research papers, the option to download Circuit Analysis For Dummies Jstoreore has opened up a world of possibilities. Downloading Circuit Analysis For Dummies Jstoreore provides numerous advantages over physical copies of books and documents. Firstly, it is incredibly convenient. Gone are the days of carrying around heavy textbooks or bulky folders filled with papers. With the click of a button, you can gain immediate access to valuable resources on any device. This convenience allows for efficient studying, researching, and reading on the go. Moreover, the cost-effective nature of downloading Circuit Analysis For Dummies Jstoreore has democratized knowledge. Traditional books and academic journals can be expensive, making it difficult for individuals with limited financial resources to access information. By offering free PDF downloads, publishers and authors are enabling a wider audience to benefit from their work. This inclusivity promotes equal opportunities for learning and personal growth. There are numerous websites and platforms where individuals can download Circuit Analysis For Dummies Jstoreore. These websites range from academic databases offering research papers and journals to online libraries with an expansive collection of books from various genres. Many authors and publishers also upload their work to specific websites, granting readers access to their content without any charge. These platforms not only provide access to existing literature but also serve as an excellent platform for undiscovered authors to share their work with the world. However, it is essential to be cautious while downloading Circuit Analysis For Dummies Jstoreore. Some websites may offer pirated or illegally obtained copies of copyrighted material. Engaging in such activities not only violates copyright laws but also undermines the efforts of authors, publishers, and researchers. To ensure ethical downloading, it is advisable to utilize reputable websites that prioritize the legal distribution of content. When downloading Circuit Analysis For Dummies Jstoreore, users should also consider the potential security risks associated with online platforms. Malicious actors may exploit vulnerabilities in

unprotected websites to distribute malware or steal personal information. To protect themselves, individuals should ensure their devices have reliable antivirus software installed and validate the legitimacy of the websites they are downloading from. In conclusion, the ability to download Circuit Analysis For Dummies Jstoreore has transformed the way we access information. With the convenience, cost-effectiveness, and accessibility it offers, free PDF downloads have become a popular choice for students, researchers, and book lovers worldwide. However, it is crucial to engage in ethical downloading practices and prioritize personal security when utilizing online platforms. By doing so, individuals can make the most of the vast array of free PDF resources available and embark on a journey of continuous learning and intellectual growth.

FAQs About Circuit Analysis For Dummies Jstoreore Books

1. Where can I buy Circuit Analysis For Dummies Jstoreore books? Bookstores: Physical bookstores like Barnes & Noble, Waterstones, and independent local stores. Online Retailers: Amazon, Book Depository, and various online bookstores offer a wide range of books in physical and digital formats.
2. What are the different book formats available? Hardcover: Sturdy and durable, usually more expensive. Paperback: Cheaper, lighter, and more portable than hardcovers. E-books: Digital books available for e-readers like Kindle or software like Apple Books, Kindle, and Google Play Books.
3. How do I choose a Circuit Analysis For Dummies Jstoreore book to read? Genres: Consider the genre you enjoy (fiction, non-fiction, mystery, sci-fi, etc.). Recommendations: Ask friends, join book clubs, or explore online reviews and recommendations. Author: If you like a particular author, you might enjoy more of their work.
4. How do I take care of Circuit Analysis For Dummies Jstoreore books? Storage: Keep them away from direct sunlight and in a dry environment. Handling: Avoid folding pages, use bookmarks, and handle them with clean hands. Cleaning: Gently dust the covers and pages occasionally.
5. Can I borrow books without buying them? Public Libraries: Local libraries offer a wide range of books for borrowing. Book Swaps: Community book exchanges or online platforms where people exchange books.
6. How can I track my reading progress or manage my book collection? Book Tracking Apps: Goodreads, LibraryThing, and Book Catalogue are popular apps for tracking your reading progress and managing book collections. Spreadsheets: You can create your own spreadsheet to track books read, ratings, and other details.
7. What are Circuit Analysis For Dummies Jstoreore audiobooks, and where can I find them? Audiobooks: Audio recordings of books, perfect for listening while commuting or multitasking. Platforms: Audible, LibriVox, and Google

Play Books offer a wide selection of audiobooks.

8. How do I support authors or the book industry? Buy Books: Purchase books from authors or independent bookstores. Reviews: Leave reviews on platforms like Goodreads or Amazon. Promotion: Share your favorite books on social media or recommend them to friends.
9. Are there book clubs or reading communities I can join? Local Clubs: Check for local book clubs in libraries or community centers. Online Communities: Platforms like Goodreads have virtual book clubs and discussion groups.
10. Can I read Circuit Analysis For Dummies Jstoreore books for free? Public Domain Books: Many classic books are available for free as they're in the public domain. Free E-books: Some websites offer free e-books legally, like Project Gutenberg or Open Library.

Find Circuit Analysis For Dummies Jstoreore :

entrepreneurs 49-35 mobile app ideas for beginners for entrepreneurs

~~travel guide for creators 49-1969 luxury travel guide for entrepreneurs~~

development roadmap for startups 49-1884 chatbot development software

~~for startups 49-906 data science careers software USA 49-587 data~~

creators 49-677 cybersecurity ideas for creators 49-844 cybersecurity

~~marketing examples USA 49-1251 TikTok marketing examples for startups~~

~~comparison America 49-2626 remote jobs comparison America 49-924 remote~~

study for startups 49-1812 resume writing case study for startups

for beginners USA 49-2718 crypto investing for beginners for

~~America 49-2425 resume writing software for creators 49-799 resume~~

~~entrepreneurs 49-1629 weight loss roadmap America 49-2104 weight loss~~

~~automation software for entrepreneurs 49-1419 business automation~~

~~small business 49-1754 online business ideas for small business 49-2700~~

~~business 49-709 wearable technology strategies USA 49-2317 wearable~~

~~49-1501 data science careers case study USA 49-2142 data science careers~~

Circuit Analysis For Dummies Jstoreore :

medical terminology the best and most effective way to - Mar 09 2023

web nov 15 2016 medical terminology the best and most effective way to memorize pronounce and understand medical terms second edition by m mastenbjörk m d s meloni m d medical creations paperback barnes

[medical terminology the best and most effective w bruce d](#) - Jul 01 2022

web so are you question just exercise just what we allow under as without difficulty as review medical terminology the best and most effective w what you later than to read medical terminology an easy and practical guide to better understand pronounce and memorize terms nathan orwell 2022 03 25 discover the proven way to master

[medical terminology the best and most effective way to](#) - Jul 13 2023

web apr 20 2022 medical terminology the best and most effective way to memorize pronounce and understand medical terms workbook by m mastenbjörk m d author s meloni m d author 4 5 827 ratings part of medical terminology 2 books 1 best seller in dentistry see all formats and editions

medical terminology the best and most effective way to - Sep 15 2023

web it is perfect for anyone who wishes to enter the medical field and is a great complementary tool to have when preparing for the nclex or mcat with this book you will learn and understand the basic concepts of medical terminology and how it is used in everyday life among healthcare personnel

medical terminology the best and most effective way to - Apr 10 2023

web medical terminology the best and most effective way to memorize pronounce and understand medical terms workbook paperback 20 april 2022 by s meloni m d author m mastenbjörk m d author 370 ratings part of medical terminology 2 books see all formats and editions

medical terminology the best and most effective way to - Jan 07 2023

web apr 20 2022 medical terminology the best and most effective way to memorize pronounce and understand medical terms workbook by m mastenbjörk m d s meloni m d paperback 12 99 ship this item qualifies for free shipping choose expedited shipping at checkout for delivery by friday july 7 instant purchase pick up in store

amazon best sellers best medical dictionaries terminology - Dec 06 2022

web best sellers in medical dictionaries terminology 1 medical terminology the basics quick study academic inc barcharts 8 423 pamphlet 48 offers from 2 51 2 medical terminology the best and most effective way to memorize pronounce and understand medical terms second edition

[medical terminology the best and most effective way to](#) - Nov 05 2022

web nov 15 2016 rent or buy medical terminology the best and most effective way to memorize pronounce and understand medical terms 9781519066626 by mastenbjörk m meloni s creations medical for as low as 6 99 at ecampus com voted 1 site for buying textbooks

medical terminology the best and most effective way to - Feb 08 2023

web medical terminology the best and most effective way to memorize pronounce and understand medical terms workbook category books 12 99 buy from amazon description reviews 0 description medical terminology workbook a good grounding in medical terminology is absolutely essential to succeed in any of the

medical terminology the best and most effective w eagldemo2 - Jan 27 2022

web 4 medical terminology the best and most effective w 2023 08 15 medical terminology a short course e book createspace independent publishing platform fun quick and easy to study while on the go mosby s medical terminology flash cards 3rd edition provide a great tool for learning and reviewing medical terms 600 full color

medical terminology the best and most effective way to - May 11 2023

web jul 12 2016 medical terminology the best and most effective way to memorize pronounce and understand medical terms david andersson createspace independent publishing platform jul 12 2016

medical terminology the best and most effective w - Feb 25 2022

web mastering medical terminology epub medical terminology medical terminology the best and most effective w downloaded from betamedia testfakta se by guest kenyon gage medical terminology an easy and practical guide to better understand pronounce and memorize terms elsevier health sciences unlock the keys to

75 must know medical terms abbreviations and acronyms - Aug 02 2022

web jun 22 2021 the world of medical terminology is quite vast so this list is organized by category to make it a little easier to digest if you re looking for something in particular use the links below to jump to the relevant section medical terms medical prefixes and suffixes medical root words medical abbreviations and acronyms medical terms

medical terminology vocabulary list vocabulary com - Sep 03 2022

web apr 4 2013 the branch of medical science that studies the blood and lymph vessels and their disorders anodonta thin shelled freshwater mussels anomaly deviation from the normal or common order form or rule anopia sightlessness anorexia a prolonged disorder of eating due to loss of appetite

all essential medical terms in one place aims education - Apr 29 2022

web sep 20 2022 almost every medical term consists of root words and likely uses prefixes at the beginning and or suffixes at the end to modify the end result some of the most common roots in medical terminology words include bronch airways bronchitis inflammation of the airways carcin o cancer carcinogenic cancer causing

medical terminology the best and most effective way to - Jun 12 2023

web nov 15 2016 this item medical terminology the best and most effective way to memorize pronounce and understand medical terms second edition 17 99 17 99 get it as soon as thursday oct 12

medical terminology the best and most effective w - Mar 29 2022

web 6 medical terminology the best and most effective w 2022 05 27 2000 of the most commonly used medical terms then you should get this book today medical terminology prentice hall this money saving package includes medical terminology online for medical terminology a short course 5e user guide access code and textbook

basic medical terminology 100 medical phrases to know - May 31 2022

web jul 31 2023 even if you re not interested in a medical career these terms can be useful to know when speaking with your health care and insurance providers in this article we examine why it s important to know medical terminology and list by category over 100 of the most useful medical terms to know related the top 9 medical certifications you

pdf medical terminology the best and most effective way to - Aug 14 2023

web dec 3 2020 pdf medical terminology the best and most effective way to memorize pronounce and understand medical terms second edition author david andersson pages 182 pages publisher independently published 2016 11 15 language english isbn 10 1519066627 isbn 13 9781519066626 description none

english medical vocabulary 103 useful words you should know - Oct 04 2022

web oct 10 2023 knowing english medical vocabulary could save your life click here to learn over 100 medical words in english such as x ray side effect inflammation and more learn words for the hospital doctors office parts of the body and the types of doctors practice with audio pronunciations and download this guide as a pdf

german made simple learn to speak and understand pdf - Aug 18 2023

german made simple learn to speak and understand german quickly and easily free pdf download arnold leitner 507 pages year 2006 learn german

german made simple learn to speak and understand german - Dec 10 2022

german made simple learn to speak and understand german quickly and easily leitner phd arnold isbn 9780767918602 kostenloser versand für alle bücher mit versand und verkauf duch amazon

german made simple learn to speak and understand german - Apr 14 2023

may 16 2006 void of all nonessentials and refreshingly easy to understand german made simple includes basics of german grammar modern german vocabulary german pronunciation guide german

german made simple learn to speak and understand german quickly - Jul 17 2023

may 16 2006 german made simple learn to speak and understand german quickly and easily eugene jackson adolph geiger on amazon com free shipping on qualifying offers

german made simple learn to speak and understand german quickly - Mar 13 2023

may 16 2006 void of all nonessentials and refreshingly easy to understand german made simple includes basics of german

grammar modern german vocabulary german pronunciation guide german reading exercises german economic information common german expressions review exercises complete answer key german english dictionary

[pdf epub german made simple learn to speak and understand german](#) - Sep 19 2023

jan 26 2023 download book german made simple learn to speak and understand german quickly and easily made simple by author arnold leitner in pdf epub get full ebook file name german made simple arnold leitner pdf epub format complete free *bbc learn german with free online lessons* - Jul 05 2022

formula 1 german watch f1 driver nico hülkenberg share racing phrases then try our f1 themed quiz learn how to speak german with courses classes lessons audio and videos including the

download german made simple learn to speak and understand german - Apr 02 2022

learning german has never been easier whether you are studying the language in school planning a trip to germany or austria or trying to learn the basics of the language closest to english german made simple is the perfect book for any self learner

german made simple a complete course for serious learners - Jun 16 2023

whether you are a complete beginner too busy for a language class or needing to brush up before a vacation or business trip this is the perfect german course for you it covers all four basic skills speaking listening reading and writing and you can enjoy the freedom and flexibility to learn at your own pace

learn german for beginners the ultimate 76 lesson course - Jan 11 2023

learn german with lessons made by real teachers in every lesson we take you by the hand and guide you through the language you will learn how to read and write german sound like a native speaker with pronunciation lessons learn basic german conversation skills with the 3 minute video series sharpen your listening with comprehension lessons

german made simple learn yumpu - Jan 31 2022

aug 29 2020 and refreshingly easy to understand german made simple includes basics of german grammar modern german vocabulary german pronunciation guide german reading exercises german economic information common german expressions review exercises complete answer key german english dictionary previous page next page 1 2 3

[german made simple learn to speak and understand german](#) - Oct 08 2022

learning german has never been easier whether you are studying the language in school planning a trip to germany or austria or trying to learn the basics of the language closest to english german made simple is the perfect book for any self learner void of all nonessentials and refreshingly easy to understand german made simple includes

how to speak german the complete guide to learning german - Jun 04 2022

oct 10 2023 1 german language with nearly 100 million speakers worldwide the german language is an incredibly prolific

one it s the second most spoken language in europe and the most spoken native language in the european union from the homeland of germany to the south african country of namibia german speakers populate all parts of the world

german made simple learn to speak and understand german - Sep 07 2022

may 16 2006 about this title about this edition learning german has never been easier whether you are studying the language in school planning a trip to germany or austria or trying to learn the basics of the language closest to english german made simple is the perfect book for any self learner

german made simple learn to speak and understand german - Feb 12 2023

may 16 2006 void of all nonessentials and refreshingly easy to understand german made simple includes basics of german grammar modern german vocabulary german pronunciation guide german reading exercises german economic information common german expressions review exercises complete answer key german english dictionary

german made simple learn to speak and understand german quickly and - Nov 09 2022

void of all nonessentials and refreshingly easy to understand german made simple includes basics of german grammar modern german vocabulary german pronunciation guide german reading exercises german economic information common german expressions review exercises complete answer key german english dictionary

download leitner arnold german made simple pdf sciarium - Mar 01 2022

dec 3 2017 isbn 0767918606 german made simple learn to speak and understand german quickly and easily learning german has never been easier whether you are studying the language in school planning a trip to germany or austria or trying to learn the basics of the language closest to english german made simple is the perfect book for any self learner

german made simple learn to speak and understand german - May 03 2022

german made simple learn to speak and understand german quickly and easily leitner ph d arnold amazon sg books

german made simple learn to speak and understand german - Aug 06 2022

german made simple learn to speak and understand german quickly and easily paperback english edition 4 5 528 ratings see all formats and editions paperback print length 320 pages print length 320 pages language english german dimensions 19 84 x 1 65 x 26 06 cm isbn 10 0767918606 isbn 13 978 0767918602 see all details product details

german made simple learn to speak and understand german - May 15 2023

apr 6 2011 void of all nonessentials and refreshingly easy to understand german made simple includes basics of german grammar modern german vocabulary german pronunciation guide german

joanna cassidy imdb - Jan 12 2022

joanna cassidy actress blade runner the very lovely vivacious and smart looking joanna cassidy was born in camden new jersey and raised in nearby haddonfield a borough

cassidy jane a stoney creek story volume 1 paperback - Jun 28 2023

cassidy jane a stoney creek story volume 1 floyd april amazon com au books

cassidy jane a stoney creek story book 1 pdf jay robert nash - Oct 21 2022

may 20 2023 1 cassidy jane a stoney creek story book 1 pdf getting the books cassidy jane a stoney creek story book 1 pdf now is not type of challenging means you could not

cassidy jane a stoney creek story book 1 pdf stage rcm org - Jul 30 2023

whispering the strategies of language an mental quest through cassidy jane a stoney creek story book 1 in a digitally driven world wherever monitors reign great and quick connection

free cassidy jane a stoney creek story book 1 - Mar 26 2023

1 cassidy jane a stoney creek story book 1 a long road to stoney creek nov 28 2021 stoney creek baptist church records apr 21 2021 collection consists of photocopies of a

[joanna cassidy rotten tomatoes](#) - Nov 09 2021

cassidy showed no inclination to slow down keeping busy playing a panoply of lusty professional women and domineering mother types on boston legal abc 2004 08 hawthorne

jay cassidy imdb - Dec 11 2021

producer camera and electrical department imdbpro starmeter see rank play trailer 2 10 fury 2014 5 videos 7 photos jay cassidy is known for american hustle 2013 a star is born

[cassidy jane a stoney creek story book 1 pdf uniport edu](#) - Jun 16 2022

mar 19 2023 cassidy jane a stoney creek story book 1 admission sust edu webcassidy jane a stoney creek story book 1 netako de 2018 08 58 00 gmt read tue 05 jun 2018 22 03 00 gmt with cassidy jane a stoney creek story 1 by april floyd

manual book wiring toyota corolla 1989 baryts de cassidy jane stoney

cassidy jane a stoney creek story paperback feb 20 2015 - Jan 24 2023

cassidy jane a stoney creek story floyd april 9781508455936 books amazon ca

stoney creek series by april floyd goodreads - Apr 26 2023

by april floyd 4 22 9 ratings 1 reviews 3 editions cassidy jane happily returns home to stoney creek want to read rate it cassidy jane stoney creek 1 courting cassidy

[cassidy jane a stoney creek story volume 1 paperback](#) - Aug 31 2023

buy cassidy jane a stoney creek story volume 1 1 by floyd april isbn 9781508455936 from amazon s book store everyday low prices and free delivery on eligible orders

cassidy jane a stoney creek story book 1 2023 vps huratips - Sep 19 2022

cassidy jane a stoney creek story book 1 3 3 cassidy s much anticipated richly detailed magisterial biography is not merely the life story of a brilliant physicist it tells the hidden story

cassidy jane a stoney creek story book 1 pdf gcca eu - Aug 19 2022

mar 25 2023 singer and b poizat also buium and cassidy trace the development of kolchin s ideas from his important early work on the differential galois theory to his later

cassidy jane a stoney creek story book 1 pdf copy red ortax - Jul 18 2022

april floyd 2015 11 11 cassidy jane happily returns home to stoney creek but beulah and rose are unsettled can cassidy jane s friends family and fiancee survive the separation

kirsten cassidy imdb - Feb 10 2022

kirsten cassidy was born on 29 january 1990 in greater manchester england uk she is an actress known for grange hill 1978 and coronation street 1960 menu movies release

cassidy jane stoney creek 1 by april floyd goodreads - Oct 01 2023

feb 15 2015 april floyd 4 04 130 ratings15 reviews montana maiden cassidy jane dunn has a knack for trouble so when she falls for the town doctor joshua winston she borrows more

courting cassidy jane a stoney creek story the storygraph - Nov 21 2022

courting cassidy jane a stoney creek story a stoney creek story april floyd 232 pages missing pub info isbn uid 9781511470797 format paperback language english

cassidy jane a stoney creek story 1 2023 forms csit edu - May 16 2022

cassidy jane a stoney creek story 1 cassidy jane a stoney creek story 1 2 downloaded from forms csit edu in on 2022 12 07 by guest this article delves into the art of finding the

a stoney creek story the storygraph - Feb 22 2023

a stoney creek story cassidy jane a stoney creek story a stoney creek story april floyd 206 pages missing pub info isbn uid 9781508455936 format paperback

cassidy jane a stoney creek story april floyd google books - May 28 2023

montana maiden cassidy jane dunn has a knack for trouble so when she falls for the town doctor joshua winston she borrows more trouble than she should with the help of one

[cassidy jane a stoney creek story book 1 pdf](#) - Apr 14 2022

cassidy jane a stoney creek story book 1 2021 07 08 escobar amina courting cassidy jane createspace independent pub

cassidy jane happily returns home to stoney creek but

[cassidy jane a stoney creek story by april floyd alibris](#) - Dec 23 2022

montana maiden cassidy jane dunn has a knack for trouble so when she falls for the town doctor joshua winston she borrows more trouble than she should with the help of one

fillable online found cassidy jane a stoney creek - Mar 14 2022

do whatever you want with a found cassidy jane a stoney creek story book 1 on gm fill sign print and send online instantly securely download your document with other