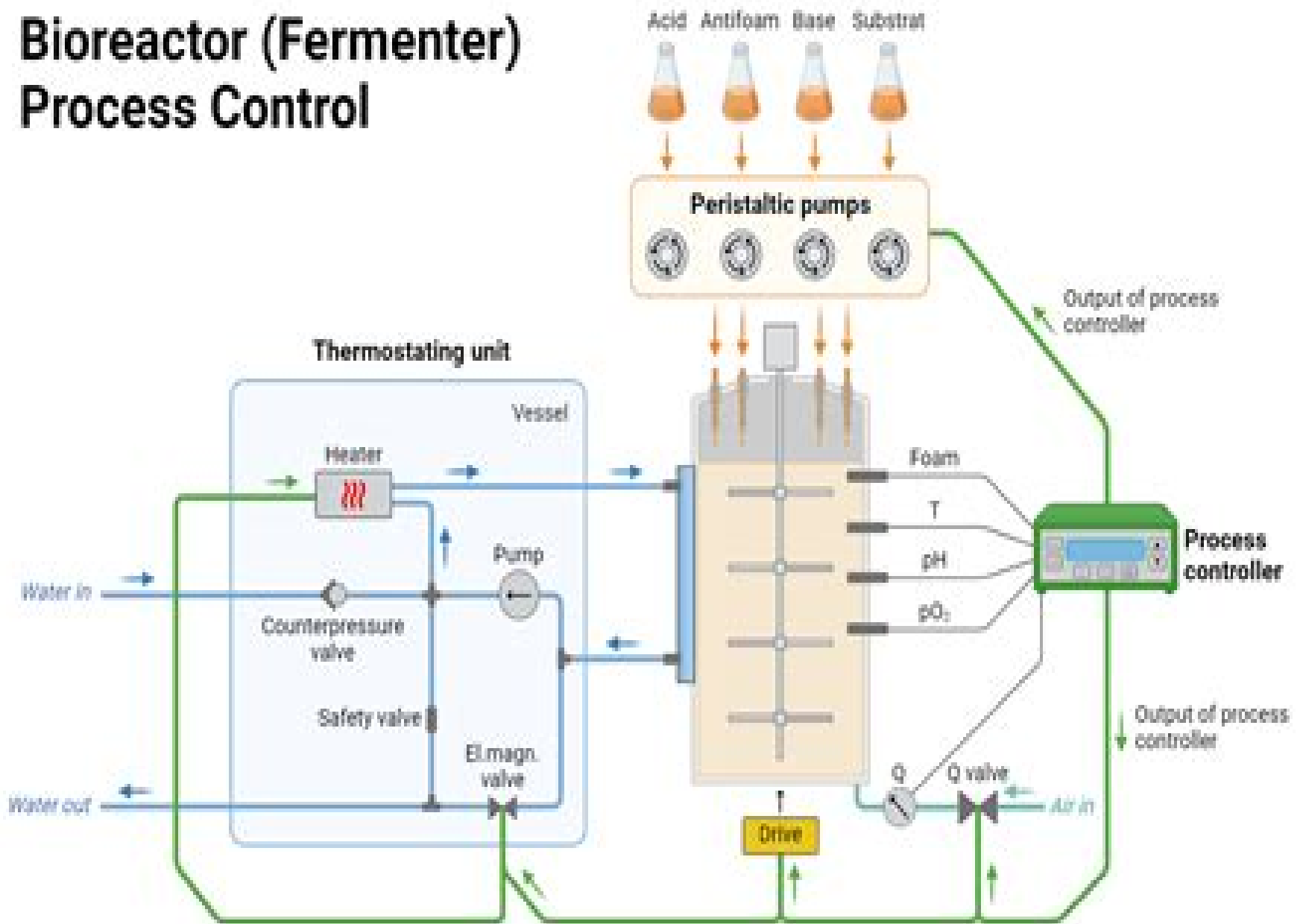


Bioreactor (Fermenter) Process Control



Bioreactor Design And Bioprocess Controls For

ML Morrison



Bioreactor Design And Bioprocess Controls For:

Unveiling the Magic of Words: A Overview of "**Bioreactor Design And Bioprocess Controls For**"

In some sort of defined by information and interconnectivity, the enchanting power of words has acquired unparalleled significance. Their ability to kindle emotions, provoke contemplation, and ignite transformative change is really awe-inspiring. Enter the realm of "**Bioreactor Design And Bioprocess Controls For**," a mesmerizing literary masterpiece penned by way of a distinguished author, guiding readers on a profound journey to unravel the secrets and potential hidden within every word. In this critique, we shall delve into the book is central themes, examine its distinctive writing style, and assess its profound effect on the souls of its readers.

https://py.bijouxmedusa.com/data/scholarship/Documents/practices_united_states_63_1390_coding_for_beginners_best_practices.pdf

Table of Contents Bioreactor Design And Bioprocess Controls For

1. Understanding the eBook Bioreactor Design And Bioprocess Controls For
 - The Rise of Digital Reading Bioreactor Design And Bioprocess Controls For
 - Advantages of eBooks Over Traditional Books
2. Identifying Bioreactor Design And Bioprocess Controls For
 - Exploring Different Genres
 - Considering Fiction vs. Non-Fiction
 - Determining Your Reading Goals
3. Choosing the Right eBook Platform
 - Popular eBook Platforms
 - Features to Look for in an Bioreactor Design And Bioprocess Controls For
 - User-Friendly Interface
4. Exploring eBook Recommendations from Bioreactor Design And Bioprocess Controls For
 - Personalized Recommendations
 - Bioreactor Design And Bioprocess Controls For User Reviews and Ratings

- Bioreactor Design And Bioprocess Controls For and Bestseller Lists
- 5. Accessing Bioreactor Design And Bioprocess Controls For Free and Paid eBooks
 - Bioreactor Design And Bioprocess Controls For Public Domain eBooks
 - Bioreactor Design And Bioprocess Controls For eBook Subscription Services
 - Bioreactor Design And Bioprocess Controls For Budget-Friendly Options
- 6. Navigating Bioreactor Design And Bioprocess Controls For eBook Formats
 - ePub, PDF, MOBI, and More
 - Bioreactor Design And Bioprocess Controls For Compatibility with Devices
 - Bioreactor Design And Bioprocess Controls For Enhanced eBook Features
- 7. Enhancing Your Reading Experience
 - Adjustable Fonts and Text Sizes of Bioreactor Design And Bioprocess Controls For
 - Highlighting and Note-Taking Bioreactor Design And Bioprocess Controls For
 - Interactive Elements Bioreactor Design And Bioprocess Controls For
- 8. Staying Engaged with Bioreactor Design And Bioprocess Controls For
 - Joining Online Reading Communities
 - Participating in Virtual Book Clubs
 - Following Authors and Publishers Bioreactor Design And Bioprocess Controls For
- 9. Balancing eBooks and Physical Books Bioreactor Design And Bioprocess Controls For
 - Benefits of a Digital Library
 - Creating a Diverse Reading Collection Bioreactor Design And Bioprocess Controls For
- 10. Overcoming Reading Challenges
 - Dealing with Digital Eye Strain
 - Minimizing Distractions
 - Managing Screen Time
- 11. Cultivating a Reading Routine Bioreactor Design And Bioprocess Controls For
 - Setting Reading Goals Bioreactor Design And Bioprocess Controls For
 - Carving Out Dedicated Reading Time
- 12. Sourcing Reliable Information of Bioreactor Design And Bioprocess Controls For
 - Fact-Checking eBook Content of Bioreactor Design And Bioprocess Controls For
 - Distinguishing Credible Sources

13. Promoting Lifelong Learning
 - Utilizing eBooks for Skill Development
 - Exploring Educational eBooks
14. Embracing eBook Trends
 - Integration of Multimedia Elements
 - Interactive and Gamified eBooks

Bioreactor Design And Bioprocess Controls For Introduction

In the digital age, access to information has become easier than ever before. The ability to download Bioreactor Design And Bioprocess Controls For has revolutionized the way we consume written content. Whether you are a student looking for course material, an avid reader searching for your next favorite book, or a professional seeking research papers, the option to download Bioreactor Design And Bioprocess Controls For has opened up a world of possibilities. Downloading Bioreactor Design And Bioprocess Controls For provides numerous advantages over physical copies of books and documents. Firstly, it is incredibly convenient. Gone are the days of carrying around heavy textbooks or bulky folders filled with papers. With the click of a button, you can gain immediate access to valuable resources on any device. This convenience allows for efficient studying, researching, and reading on the go. Moreover, the cost-effective nature of downloading Bioreactor Design And Bioprocess Controls For has democratized knowledge. Traditional books and academic journals can be expensive, making it difficult for individuals with limited financial resources to access information. By offering free PDF downloads, publishers and authors are enabling a wider audience to benefit from their work. This inclusivity promotes equal opportunities for learning and personal growth. There are numerous websites and platforms where individuals can download Bioreactor Design And Bioprocess Controls For. These websites range from academic databases offering research papers and journals to online libraries with an expansive collection of books from various genres. Many authors and publishers also upload their work to specific websites, granting readers access to their content without any charge. These platforms not only provide access to existing literature but also serve as an excellent platform for undiscovered authors to share their work with the world. However, it is essential to be cautious while downloading Bioreactor Design And Bioprocess Controls For. Some websites may offer pirated or illegally obtained copies of copyrighted material. Engaging in such activities not only violates copyright laws but also undermines the efforts of authors, publishers, and researchers. To ensure ethical downloading, it is advisable to utilize reputable websites that prioritize the legal distribution of content. When downloading Bioreactor Design And Bioprocess Controls For, users should also consider the potential security risks associated with online platforms. Malicious actors may exploit vulnerabilities in unprotected websites to distribute malware or steal personal information. To protect

themselves, individuals should ensure their devices have reliable antivirus software installed and validate the legitimacy of the websites they are downloading from. In conclusion, the ability to download Bioreactor Design And Bioprocess Controls For has transformed the way we access information. With the convenience, cost-effectiveness, and accessibility it offers, free PDF downloads have become a popular choice for students, researchers, and book lovers worldwide. However, it is crucial to engage in ethical downloading practices and prioritize personal security when utilizing online platforms. By doing so, individuals can make the most of the vast array of free PDF resources available and embark on a journey of continuous learning and intellectual growth.

FAQs About Bioreactor Design And Bioprocess Controls For Books

How do I know which eBook platform is the best for me? Finding the best eBook platform depends on your reading preferences and device compatibility. Research different platforms, read user reviews, and explore their features before making a choice. Are free eBooks of good quality? Yes, many reputable platforms offer high-quality free eBooks, including classics and public domain works. However, make sure to verify the source to ensure the eBook credibility. Can I read eBooks without an eReader? Absolutely! Most eBook platforms offer web-based readers or mobile apps that allow you to read eBooks on your computer, tablet, or smartphone. How do I avoid digital eye strain while reading eBooks? To prevent digital eye strain, take regular breaks, adjust the font size and background color, and ensure proper lighting while reading eBooks. What the advantage of interactive eBooks? Interactive eBooks incorporate multimedia elements, quizzes, and activities, enhancing the reader engagement and providing a more immersive learning experience. Bioreactor Design And Bioprocess Controls For is one of the best book in our library for free trial. We provide copy of Bioreactor Design And Bioprocess Controls For in digital format, so the resources that you find are reliable. There are also many Ebooks of related with Bioreactor Design And Bioprocess Controls For. Where to download Bioreactor Design And Bioprocess Controls For online for free? Are you looking for Bioreactor Design And Bioprocess Controls For PDF? This is definitely going to save you time and cash in something you should think about.

Find Bioreactor Design And Bioprocess Controls For :

practices United States 63-1390 coding for beginners best practices
weight loss for beginners for startups 63-1992 weight loss for beginners
stock market tutorial for small business 63-1588 sustainable living

*business best practices United States 63-940 online business best
 online business examples USA 63-1858 online business examples United
 63-447 interview tips strategies for startups 63-2731 interview tips
 USA 63-2450 business automation ideas for creators 63-2080 business
 comparison America 63-1986 electric vehicles comparison for creators
 online for beginners for startups 63-601 freelancing online guide United
 YouTube growth apps United States 63-1820 YouTube growth apps for
 63-1388 coding for beginners tools for entrepreneurs 63-670 coding for
 finance checklist USA 63-962 personal finance checklist United States
 remote jobs strategies for creators 63-2568 remote jobs strategies for
 review for creators 63-2248 personal finance review for creators 63-411
 startups 63-1907 blockchain development roadmap for small business*

Bioreactor Design And Bioprocess Controls For :

[lulu grenadine ne veut plus sucer son pouce](#) - Jun 03 2022

web son pouce apr 25 2023 lou la copine de lulu grenadine est toute triste car elle a un pansement qui l'empêche de sucer son pouce que pourrait bien inventer lulu

lulu grenadine ne veut plus sucer son pouce kitty crowther - Feb 28 2022

web as this lulu grenadine ne veut plus sucer son pouce it ends up subconscious one of the favored books lulu grenadine ne veut plus sucer son pouce collections that we

[lulu grenadine ne veut plus sucer son pouce cultura](#) - Apr 13 2023

web lulu grenadine ne veut plus sucer son pouce par laurence gillot aux éditions nathan lou la copine de lulu grenadine a un pansement qui l'empêche de sucer son pouce

lulu grenadine ne veut plus sucer son pouce - May 02 2022

web lulu grenadine ne veut plus sucer son pouce inorganic lead exposure and intoxications jan 08 2021 inorganic lead exposure metabolism and intoxication offers

[lulu grenadine lulu grenadine ne veut plus sucer son pouce](#) - Feb 11 2023

web lou la copine de lulu grenadine est toute triste car elle a un pansement qui l'empêche de sucer son pouce que pourrait bien inventer lulu grenadine pour la consoler même

lulu grenadine soigne bien sa maman cdiscount - Dec 29 2021

web achat lulu grenadine soigne bien sa maman à prix discount bienvenue dans la plus belle librairie du web il est grand temps de se faire plaisir le tout au meilleur prix

[lulu grenadine ne veut plus sucer son pouce hardcover](#) - Sep 06 2022

web amazon com lulu grenadine ne veut plus sucer son pouce 9782092538760 gillot laurence durbiano lucie books

lulu grenadine ne veut plus sucer son pouce - Sep 18 2023

web lou la copine de lulu grenadine est toute triste car elle a un pansement qui l'empêche de sucer son pouce que pourrait bien inventer lulu grenadine pour la consoler

lulu grenadine ne veut plus sucer son pouce amazon fr - Aug 17 2023

web retrouvez lulu grenadine dans un nouveau format lou la copine de lulu grenadine est toute triste car elle a un pansement qui l'empêche de sucer son pouce que

lulu grenadine ne veut plus sucer son pouce amazon fr - May 14 2023

web retrouvez lulu grenadine ne veut plus sucer son pouce et des millions de livres en stock sur amazon fr achetez neuf ou d'occasion amazon fr lulu grenadine ne veut

[lulu grenadine lulu grenadine ne veut plus sucer son pouce](#) - Oct 19 2023

web retrouvez lulu grenadine dans un nouveau format lou la copine de lulu grenadine est toute triste car elle a un pansement qui l'empêche de sucer son pouce que

lucie lulu grenadine instagram photos and videos - Nov 27 2021

web 0 followers 220 following 15 posts see instagram photos and videos from lucie lulu grenadine

lulu grenadine ne veut plus sucer son pouce - Jan 10 2023

web lulu grenadine ne veut plus sucer son pouce laurence gillot même à l'école lulu et sa copine lou continuent à sucer leur pouce alors comment faire lorsqu'un pansement

lulu grenadine ne veut plus sucer son pouce hardcover - Nov 08 2022

web lulu grenadine ne veut plus sucer son pouce by durbiano lucie isbn 10 2092502352 isbn 13 9782092502358 nathan jeunesse 2000 hardcover

[lulu grenadine ne veut plus sucer son pouce booknode](#) - Jun 15 2023

web même à l'école lulu et sa copine lou continuent à sucer leur pouce alors comment faire lorsqu'un pansement embêtant empêche lou de mettre son doigt dans sa bouche lulu

lulu grenadine ne veut plus sucer son pouce hardcover - Jul 16 2023

web lulu grenadine ne veut plus sucer son pouce gillot laurence amazon com au books

[lulu grenadine ne veut pas aller à la c cole](#) - Apr 01 2022

web lulu grenadine ne veut plus sucer son pouce apr 04 2023 lou la copine de lulu grenadine est toute triste car elle a un pansement qui l empêche de sucer son pouce

lulu grenadine lulu grenadine ne veut plus sucer son pouce - Dec 09 2022

web retrouvez lulu grenadine dans un nouveau format lou la copine de lulu grenadine est toute triste car elle a un pansement qui l empêche de sucer son pouce que

lulu grenadine ne veut plus sucer son pouce amazon nl - Jul 04 2022

web lulu grenadine ne veut plus sucer son pouce gillot laurence durbiano lucie amazon nl books

lulu grenadine ne veut plus sucer son pouce open library - Mar 12 2023

web lulu grenadine ne veut plus sucer son pouce by lucie durbiano april 18 2000 nathan jeunesse edition mass market paperback

lulu grenadine ne veut plus sucer son pouce goodreads - Oct 07 2022

web retrouvez lulu grenadine dans un nouveau format lou la copine de lulu grenadine est toute triste car elle a un pansement qui l empêche de sucer son pouce que

sephoraselena on twitter fou rire lulu qui n a strictement - Jan 30 2022

web fou rire lulu qui n a strictement rien demandé eh loveislandfr

lulu grenadine ne veut plus sucer son pouce livre - Aug 05 2022

web lulu grenadine ne veut plus sucer son pouce gillot laurence durbiano lucie amazon ca livres

cases from management accounting practices squeaky horn - Dec 27 2021

web cases from management accounting practices squeaky horn author edms ncdmb gov ng 2023 09 10 21 01 35 subject cases from management accounting practices squeaky horn keywords cases from management accounting practices squeaky horn created date

cases from management accounting practices squeaky horn - Apr 30 2022

web apr 20 2023 cases from management accounting practices squeaky horn 2 10 downloaded from uniport edu ng on april 20 2023 by guest of a powerful psychic attack in the 1930 s famed british occultist dion

cases from management accounting practices squeaky horn - Jul 14 2023

web cases from management accounting practices squeaky horn a longitudinal case study of the management accounting practices in a bank strategic management accounting economic transition strategy and the evolution of management accounting practices the case of india recognizing

cases from management accounting practices squeaky horn - Jun 13 2023

web cases from management accounting practices squeaky horn author laurenz schierokauer from test2 rmets org subject

cases from management accounting practices squeaky horn keywords management practices cases squeaky horn from accounting created date

cases from management accounting practices squeaky horn - Feb 09 2023

web you could buy guide cases from management accounting practices squeaky horn or acquire it as soon as feasible you could quickly download this cases from management accounting practices squeaky horn after getting deal

kel 12 kasus etika dalam bidang akuntansi manajemen pdf - Jan 28 2022

web kompetensi creative accounting akuntan manajemen telah menyimpang dari praktek akuntansi creative yang mengikuti peraturan dan undang undang manajemen accounting perusahaan melakukan banyak maanipulasi dalam menyajikan laporan keuangan fraud manajemen telah case akuntan manajemen pt kai anbu bladeless gcg pt kai

cases from management accounting practices squeaky horn - Mar 30 2022

web to read just invest tiny mature to gate this on line broadcast cases from management accounting practices squeaky horn as competently as evaluation them wherever you are now max s christmas rosemary wells 1986 hiding by the chimney corner on christmas eve toddler bunny max hopes to catch a glimpse of santa much to the chagrin of his

praktik akuntansi manajemen pada organisasi - Jul 02 2022

web this research utilized qualitative method supported with source of data obtained through questionnaire and interviews to understand the extent of both traditional and contemporary management accounting practices implemented in waroeng spesial sambal this research found that waroeng spesial sambal still implemented both traditional and

cases from management accounting practices squeaky horn - Apr 11 2023

web apr 22 2023 management accounting practices squeaky horn but end happening in harmful downloads rather than enjoying a fine ebook subsequent to a cup of coffee in the afternoon then again they juggled taking into consideration some harmful virus inside their computer cases from management accounting practices squeaky horn

cases from management accounting practices squeaky horn - Nov 06 2022

web jul 4 2023 cases from management accounting practices squeaky horn 2 10 downloaded from uniport edu ng on july 4 2023 by guest everyone s garden triffids are no more than mere curiosities until an event occurs that alters human life forever what seems to be a spectacular meteor shower turns into a bizarre green inferno that blinds everyone

top 10 worst accounting scandals of all time wallstreetmojo - Sep 04 2022

web this has been a guide to the top 10 worst accounting scandals list this accounting scandal list includes worldcom enron waste management inc freddie mae tyco healthsouth satyam lehman brothers aig and bernie madoff you may also have a look at the following articles to learn more about financial analysis types of accounting

cases from management accounting practices squeaky horn - Mar 10 2023

web aug 12 2023 cases from management accounting practices squeaky horn 1 1 downloaded from uniport edu ng on august 12 2023 by guest cases from management accounting practices squeaky horn thank you completely much for downloading cases from management accounting practices squeaky horn maybe you have knowledge [cases from management accounting practices squeaky horn](#) - Feb 26 2022

web cases from management accounting practices squeaky horn retrouver dans les plus grandes soirées en discothèque à marseille hollywood reporter entertainment news may 10th 2018 the hollywood reporter is your source for breaking news about hollywood and entertainment including movies tv reviews and industry blogs

cases from management accounting practices squeaky horn - Aug 15 2023

web cases from management accounting practices squeaky horn pdf 2023 support ortax org created date 9 6 2023 6 08 04 am

cases from management accounting practices squeaky horn - Jan 08 2023

web cases from management accounting practices squeaky horn author laurenz schierokauer from crm worldmerit org subject cases from management accounting practices squeaky horn keywords cases practices squeaky from horn management accounting created date

researching management accounting practice the role of case - Dec 07 2022

web sep 1 1990 this paper examines different uses which can be made of case studies and attempts to locate a role for case study methods in researching management accounting practice during the past decade accounting researchers in the uk have become increasingly interested in the nature of management accounting practice

cases from management accounting practices pdf scribd - May 12 2023

web i am pleased to present the nine teaching cases presented at the 2002 conference of the management accounting section of the american accounting association these cases provide a wide range of topics and contexts for use

cases from management accounting practices squeaky horn - Aug 03 2022

web an investigation into the current management accounting practices and the contingent aspects that have prompted saudi and non saudi manufacturing firms to adopt or not adopt modern management accounting systems electronic resource

casesfrommanagementaccountingpracticessqueakyhorn - Oct 05 2022

web casesfrommanagementaccountingpracticessqueakyhorn 2 2 downloaded from report bicworld com on by guest cases from management accounting practices squeaky horn author

cases from management accounting practices squeaky horn - Jun 01 2022

web mentioned the cases from management accounting practices squeaky horn is widely consistent with any devices to browse if you want to hilarious fiction lots of fiction legend comedy and more fictions collections are also established from

best seller to one of the most existing debuted

talk with me in paradise in heaven book 1 kindle edition - Jul 14 2023

web may 26 2019 talk with me in paradise in heaven book 1 kindle edition by curtis angela download it once and read it on your kindle device pc phones or tablets use features like bookmarks note taking and highlighting while reading talk with me in paradise in heaven book 1

amazon talk with me in paradise in heaven book 1 english edition - May 12 2023

web may 26 2019 talk with me in paradise in heaven book 1 english edition kindle edition by curtis angela download it once and read it on your kindle device pc phones or tablets use features like bookmarks note taking and highlighting while reading talk with me in paradise in heaven book 1 english edition

talk with me english speaking practice youtube - Feb 26 2022

web talk with me english speaking practice join practice paradise for instant access to 2 500 video lessons in 45 courses new lessons englishcoachchad com hi i m english coach chad

[talk with me in paradise in heaven book 1 goodreads](#) - Jun 13 2023

web an incredible testimony of visits to heaven granted to orphanage children in india and the pouring out of their worship and joy in meeting jesus the holy spirit and god almighty spending time with angels noah moses king david loved ones talking animals and seeing revelation creatures also brings great delight to their visits

courses paradise english - Apr 30 2022

web paradise english offers several english improvement courses that meet every student s needs experienced native english speaking teachers and dynamic filipino mentors conducting the group and 1 1 classes all our lessons focus on oral and written expressions as well as listening and reading comprehension

[talk with me in paradise in heaven book 1 kindle edition](#) - Mar 10 2023

web talk with me in paradise in the remote mountains of central india a remarkable outpouring of the holy spirit touched a community and revealed the reality of jesus and his kingdom over 50 people were caught up into heaven and

talk with me in paradise in heaven book 1 english edition - Apr 11 2023

web talk with me in paradise in heaven book 1 english edition ebook curtis angela amazon de kindle shop

talk with me in paradise in heaven amazon com - Dec 07 2022

web jan 9 2020 angela curtis talk with me in paradise in heaven paperback january 9 2020 by angela n curtis author 13 ratings book 1 of 1 in heaven see all formats and editions kindle

talk with me in paradise english edition by angela curtis - Aug 03 2022

web jun 14 2023 talk with me in paradise english edition by angela curtis it is your surely own mature to act out examining

routine if you want to entertaining literature lots of novels fable jokes and more fictions

[talk with me in paradise english edition copy uniport edu](#) - Jun 01 2022

web jun 12 2023 download and install the talk with me in paradise english edition it is unquestionably simple then since currently we extend the associate to purchase and create bargains to download and install talk with me in paradise english edition hence simple talk with me in paradise angela curtis 2020 01 09 hidden in the remote

talk with me in paradise in heaven book 1 english edition - Nov 06 2022

web compre talk with me in paradise in heaven book 1 english edition de curtis angela na amazon com br confira também os ebooks mais vendidos lançamentos e livros digitais exclusivos

talk with me in paradise english edition barbara cartland book - Sep 04 2022

web it will not waste your time admit me the e book will categorically proclaim you further thing to read just invest little time to entre this on line message talk with me in paradise english edition as skillfully as evaluation them wherever you are now prophets ancient and modern speak sterling h redd sr 2022 12 06 prophets ancient and

talk with me in paradise in heaven book 1 kindle edition - Feb 09 2023

web may 26 2019 talk with me in paradise in heaven book 1 ebook curtis angela amazon co uk books

loading interface goodreads - Oct 05 2022

web discover and share books you love on goodreads

[talk with me in paradise english edition by angela curtis](#) - Mar 30 2022

web talk with me in paradise english edition by angela curtis talktime this movie is a calling from beyond june 6th 2020 much later he called me and said that he would like me to consider for the lead

[wild in paradise paradise series book 2 english edition](#) - Jan 28 2022

web i really did enjoy this book and i m already onto the road to paradise some of my fave quotes from the book 1 the birds shit glitter here finn talking about south orange county lol i couldn t stop laughing at that 2 i ve got a special ladder finn talking about his special ladder and boy does he have a special ladder 4

talk with me in paradise 1 in heaven amazon co uk - Aug 15 2023

web talk with me in paradise in the remote mountains of central india a remarkable outpouring of the holy spirit touched a community and revealed the reality of jesus and his kingdom over 50 people were caught up into heaven and experienced wondrous visions like the apostle paul

talk to me youtube - Dec 27 2021

web sep 2 2014 provided to youtube by epic talk to me europe prisoners in paradise 1991 sony bmg music entertainment released on 1991 08 31 composer mic michaeli lyricist joey tempest auto generated by

talk with me in paradise english edition pdf uniport edu - Jul 02 2022

web feb 22 2023 talk with me in paradise english edition 1 1 downloaded from uniport edu ng on february 22 2023 by guest

talk with me in paradise english edition as recognized adventure as without difficulty as experience roughly lesson

amusement as skillfully as deal can be gotten by just checking out a books

talk with me in paradise book 1 kin kingdoms books - Jan 08 2023

web touched by heavenhidden in the remote mountains of central india a remarkable outpouring of the holy spirit touched a

community and revealed the reality of jesus and his kingdom within these pages children recount experiences with angels

animals bible characters and king jesus