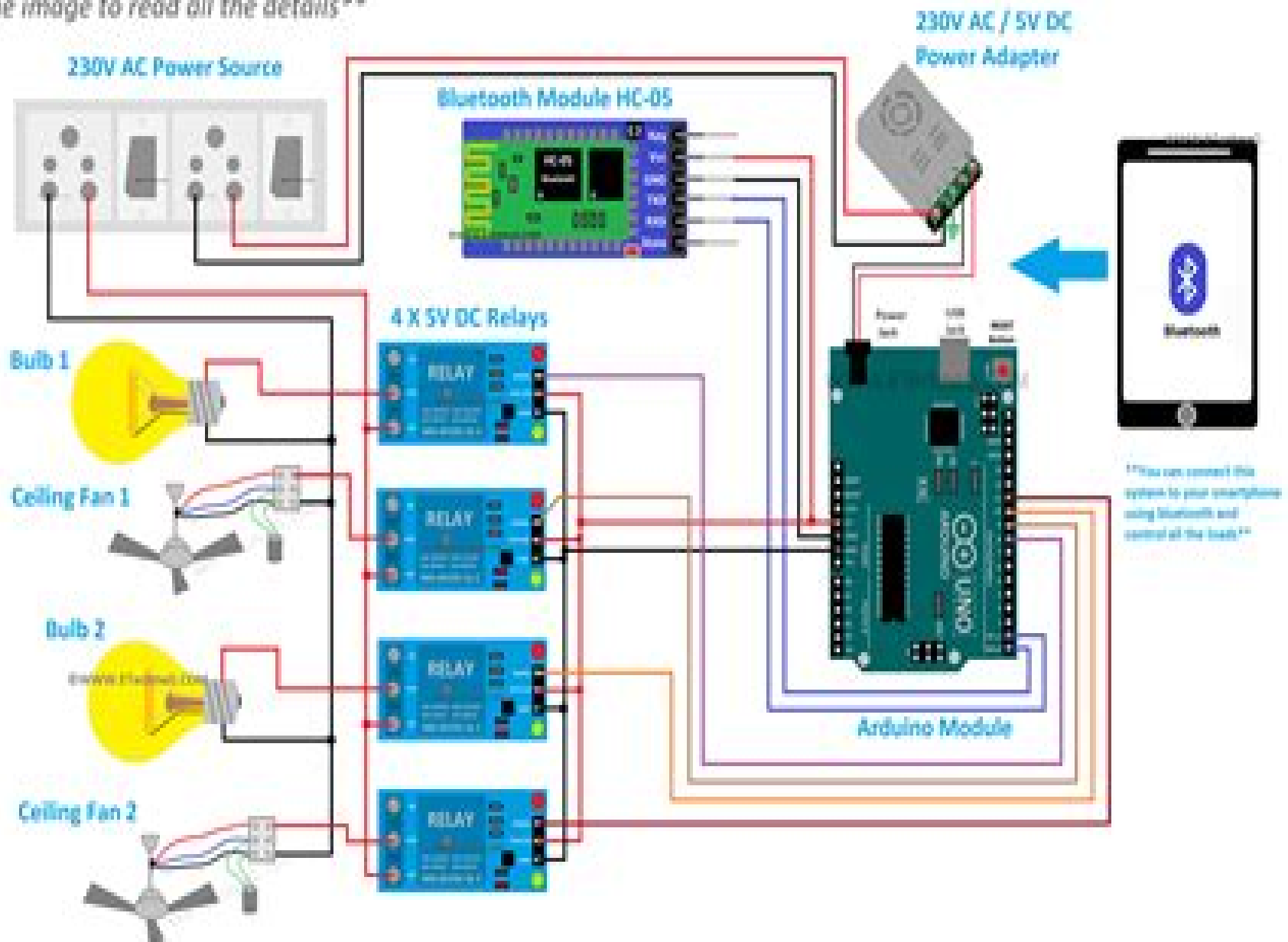


Figure.01:

# Smart Home Automation System using Arduino

*\*\*Zoom in the image to read all the details\*\**



# Bluetooth Based Home Automation And Security System Using Arm9

**M Mark**



## **Bluetooth Based Home Automation And Security System Using Arm9:**

**Handbook of Research on the IoT, Cloud Computing, and Wireless Network Optimization** Singh, Surjit, Mohan Sharma, Rajeev, 2019-03-29 ICT technologies have contributed to the advances in wireless systems which provide seamless connectivity for worldwide communication. The growth of interconnected devices and the need to store, manage, and process the data from them has led to increased research on the intersection of the internet of things and cloud computing. The Handbook of Research on the IoT, Cloud Computing, and Wireless Network Optimization is a pivotal reference source that provides the latest research findings and solutions for the design and augmentation of wireless systems and cloud computing. The content within this publication examines data mining, machine learning, and software engineering and is designed for IT specialists, software engineers, researchers, academicians, industry professionals, and students. **Intelligent**

**Communication, Control and Devices** Rajesh Singh, Sushabhan Choudhury, Anita Gehlot, 2018-04-10 The book focuses on the integration of intelligent communication systems, control systems, and devices related to all aspects of engineering and sciences. It contains high-quality research papers presented at the 2nd international conference ICICCD 2017 organized by the Department of Electronics Instrumentation and Control Engineering of University of Petroleum and Energy Studies, Dehradun, on 15 and 16 April 2017. The volume broadly covers recent advances of intelligent communication, intelligent control, and intelligent devices. The work presented in this book is original research work, findings, and practical development experiences of researchers, academicians, scientists, and industrial practitioners. *Wearable/Personal Monitoring Devices*

*Present to Future* Gaetano D. Gargiulo, Ganesh R. Naik, 2021-10-26 This book discusses recent advances in wearable technologies and personal monitoring devices, covering topics such as skin contact-based wearables, electrodes, non-contact wearables, the Internet of Things (IoT), and signal processing for wearable devices. Although it chiefly focuses on wearable devices and provides comprehensive descriptions of all the core principles of personal monitoring devices, the book also features a section on devices that are embedded in smart appliances, furniture, e.g., chairs, which, despite their limitations, have taken the concept of unobtrusiveness to the next level. Wearable and personal devices are the key to precision medicine, and the medical community is finally exploring the opportunities offered by long-term monitoring of physiological parameters that are collected during day-to-day life without the bias imposed by the clinical environment. Such data offers a prime view of individuals' physical condition, as well as the efficacy of therapy and occurrence of events. Offering an in-depth analysis of the latest advances in smart and pervasive wearable devices, particularly those that are unobtrusive and invisible, and addressing topics not covered elsewhere, the book will appeal to medical practitioners and engineers alike. **Metaheuristic and**

**Machine Learning Optimization Strategies for Complex Systems** R., Thanigaivelan, M., Suchithra, S., Kaliappan, Mothilal, T., 2024-07-17 In contemporary engineering domains, optimization and decision-making issues are crucial. Given the vast amounts of available data, processing times, and memory usage can be substantial. Developing and

implementing novel heuristic algorithms is time consuming yet even minor improvements in solutions can significantly reduce computational costs In such scenarios the creation of heuristics and metaheuristic algorithms has proven advantageous The convergence of machine learning and metaheuristic algorithms offers a promising approach to address these challenges Metaheuristic and Machine Learning Optimization Strategies for Complex Systems covers all areas of comprehensive information about hyper heuristic models hybrid meta heuristic models nature inspired computing models and meta heuristic models The key contribution of this book is the construction of a hyper heuristic approach for any general problem domain from a meta heuristic algorithm Covering topics such as cloud computing internet of things and performance evaluation this book is an essential resource for researchers postgraduate students educators data scientists machine learning engineers software developers and engineers policy makers and more *Emerging Trends in Electrical, Communications, and Information Technologies* T. Hitendra Sarma,V. Sankar,Rafi Ahamed Shaik,2019-09-24 This book includes original peer reviewed research from the 3rd International Conference on Emerging Trends in Electrical Communication and Information Technologies ICECIT 2018 held at Srinivasa Ramanujan Institute of Technology Ananthapuramu Andhra Pradesh India in December 2018 It covers the latest research trends and developments in the areas of Electrical Engineering Electronic and Communication Engineering and Computer Science and Information *Research Anthology on Cross-Disciplinary Designs and Applications of Automation* Management Association, Information Resources,2021-10-29 Throughout human history technological advancements have been made for the ease of human labor With our most recent advancements it has been the work of scholars to discover ways for machines to take over a large part of this labor and reduce human intervention These advancements may become essential processes to nearly every industry It is essential to be knowledgeable about automation so that it may be applied *Research Anthology on Cross Disciplinary Designs and Applications of Automation* is a comprehensive resource on the emerging designs and application of automation This collection features a number of authors spanning multiple disciplines such as home automation healthcare automation government automation and more Covering topics such as human machine interaction trust calibration and sensors this research anthology is an excellent resource for technologists IT specialists computer engineers systems and software engineers manufacturers engineers government officials professors students healthcare administration managers CEOs researchers and academicians **Integrated Green Energy Solutions, Volume 1** Milind Shrinivas Dangate,W. S. Sampath,O. V. Gnana Swathika,Sanjeevikumar Padmanaban,2023-05-12 INTEGRATED GREEN ENERGY SOLUTIONS This first volume in a two volume set presents the state of the art for the concepts practical applications and future of renewable energy and how to move closer to true sustainability Renewable energy supplies are of ever increasing environmental and economic importance in every country worldwide A wide range of renewable energy technologies has been established commercially and recognized as an important set of growth industries for most governments World agencies including the

United Nations have extensive programs to encourage these emerging technologies This book will bridge the gap between descriptive reviews and specialized engineering technologies It centers on demonstrating how fundamental physical processes govern renewable energy resources and their applications Although the applications are updated continually the fundamental principles remain the same and this book will provide a useful platform for those advancing the subject and its industries Integrated Resilient Energy Solutions is a two volume set covering subjects of proven technical and economic importance worldwide Energy supply from renewables is an essential component of every nation s strategy especially when there is responsibility for the environment and sustainability These two volumes will consider the timeless renewable energy technologies principles yet demonstrate modern applications and case studies Whether for the veteran engineer student or other professional these two volumes are a must have for any library

*Information and Communication Technology*  
Durgesh Kumar Mishra,Ahmad Taher Azar,Amit Joshi,2017-10-12 This book volume contains 31 papers presented at ICICT 2016 Second International Congress on Information and Communication Technology The conference was held during 12 13 December 2016 Bangkok Thailand and organized communally by G R Foundation and Computer Society of India Division IV Communication and Division V Education and Research This volume contains papers mainly focused on ICT for computation algorithms and data analytics and IT security

Home Automation Via Bluetooth Using the Arduino Uno Microcontroller  
Ayush Kumar,2016 Abstract Home automation systems have gained popularity in recent years paralleling the advances in the concept of the Internet of Things The current project presents the implementation of an inexpensive home automation system within the framework of assistive technology The system implementation is based on the Arduino microcontroller with Bluetooth communications capability and it is designed for use by the elderly and people with disabilities The system is user friendly with an intuitive interface implemented on an Android based smart phone Demonstrations show that the system facilitates control of home appliances lights heating cooling systems and security devices by the intended users i e the elderly and the disabled

*BLUETOOTH BASED HOME AUTOMATION SYSTEM* OMER FAROOQ (TP016040),2012

**Building Smart Home Automation Solutions with Home Assistant** Marco Carvalho,2023-09-15 A step by step guide to building cost effective and complete home automation DIY projects using tools such as Home Assistant Raspberry Pi IoT devices the Tasmota sensor ESP32 and Grafana Key Features Learn by doing using real life practical examples to build your own home automation system Create hack and configure IoT devices through hands on projects to be used with or without Home Assistant Customize your home automation system using Home Assistant Node RED InfluxDB and Grafana Purchase of the print or Kindle book includes a free PDF eBook Book DescriptionPicture a home where you can adjust the lighting based on the time of day or when movement is detected In this same home you can also detect when a door is unexpectedly opened or an alarm is triggered in response to any suspicious activity Such automated devices form part of a smart home and the exciting part is that this book teaches you how to create and manage these devices all by yourself This book helps you create

your own ecosystem to automate your home using Home Assistant software You'll begin by understanding the components of a home automation system and learn how to create and configure them to operate seamlessly Then you'll set up Home Assistant on a Raspberry Pi to work as a home automation server build your own IoT sensors based on ESP32 ESP8266 and set up real life automation use cases using hands on examples and projects The chapters will also guide you in using software tools such as Node RED InfluxDB and Grafana to manage present and use data collected from your Home Automation devices Finally you'll gain insights into new technologies and trends in the home automation space to help you continue with your learning journey By the end of this book you'll be able to build your own creative IoT based home automation system using different hardware and software technologies What you will learn Understand the fundamental concepts of home automation systems Set up a home automation system using Home Assistant and Raspberry Pi Create and configure ESP8266 based sensors to work with Home Assistant Hack a commercial actuator to work with Home Assistant using Tasmota Create automations customize and use applications with Home Assistant Leverage IoT software tools to take your home automation to the next level Work on hands on projects including LED strip lights and an ESP32 five zone temperature logger Explore home automation FAQs emerging technologies and trends Who this book is for The book is for engineers developers students makers and enthusiasts who are working on or interested in working with electronics and IoT devices embedded systems systems integration computer software and coding to develop their own smart home automation systems Technicians teachers and other professionals who want to learn home automation related technologies will also find this book useful Prior experience of working with Raspberry Pi creating hardware prototypes and software programming will be beneficial

Home Automation Lisa Montgomery, Editor, Electronic House Magazine, 2014-09-12 Smart home automated home connected home or intelligent home Whatever you call it a home that's able to take the drudgery out of common everyday tasks is something that every family can appreciate In this inaugural book about home automation you'll learn how to incorporate the right types of products and systems into your house to achieve a new level of comfort convenience safety and efficiency The book walks you step by step through the process of automating your home and because automation systems are able to control just about anything electronic you can imagine we've provided plenty of practical ideas In 10 Key Features of a Home Automation System and Automation Ideas for Every System of Your House you'll gather more than enough recommendations to get started in your automation endeavor No matter how many great ideas you gather from our Home Automation book though it's important that the system you buy today incorporates the most recent iterations of control technologies We've followed the automation trends put them into perspective and offer advice on the critical new updates upgrades and upstarts you'll want to look into when selecting a system In addition to deciding what you want your automation system to do you'll want to determine whether you'd like to install the system yourself or hire a professional to handle the task Both methods offer their own unique set of advantages and disadvantages so be sure to read DIY or

Professionally Installed before making your decision You ll also want to check out our comprehensive directory of home automation manufacturers before taking the plunge Finally we finish the book with a series of finished automation installations which range from a basic starter package in a condo to a full blown bells and whistles system for a bigger house You ll see what types of features that owners of these homes chose to incorporate and hear how automation is truly making a difference in their lives The technology has been so carefully designed and meticulously installed that you may not even notice it in the full color photography of many of the rooms where lights motorized window shades and A V equipment have been automated to dim brighten turn on and off open and close and adjust and reset based on the time of day occupancy or the single touch of a button

**Arduino Bluetooth Based Home Automation** Mehmet AVCU,2021-01-05 Arduino Bluetooth Based Home Automation [Arduino Home Automation Projects](#) Marco Schwartz,2014-07-23 This book is divided into projects that are explained in a step by step format with practical instructions that are easy to follow If you want to build your own home automation systems wirelessly using the Arduino platform this is the book for you You will need to have some basic experience in Arduino and general programming languages such as C and C to understand the projects in this book

**Building a Home Security System with BeagleBone** Bill Pretty,2013-12-17 Building a Home Security System with BeagleBone is a practical hands on guide for practical hands on people The book includes step by step instructions for assembling your own hardware on professionally manufactured PCB s and setting up the software on your system This book is for anyone who is interested in alarm systems and how they work for hobbyists and basement tinkerers who love to build things If you want to build the hardware described in this book you will need some basic soldering skills but all the parts are of the thru hole variety and are very easy to put together When it comes to software you can just run it as is but if you want to modify the code you will need knowledge of Java and IDEs

*Essential Guide to Smart Home Automation Safety and Security* Gerard O'Driscoll,2015-03-02 This book addresses readers who wish to gain an in depth understanding of Smart Home alarm and safety systems Detail is provided on six key smart systems that you can use to enhance your family s home security levels namely smart alarm systems Smart IP cameras Smart combo alarm devices smart access control smart locks and smart doorbells In addition to covering the integration of alarm and fire detection systems with your smartphone App this chapter also deals with adding smart air quality control water and freeze alert capabilities to your home This mini ebook includes technical illustrations examples of how smart homes are helping people insights from Gerard and details of an awesome monthly giveaway

**Home Security System DIY Wireless IoT Using ESP32 CAM and Android** Robert Chin,2022-08-07 This book shows you how you can save tons of money by building your own low cost maximum privacy and maximum security professional quality wireless home security system from common off the shelf parts You can monitor the home security system using your existing Android cell phone and existing home internet connection You will save lots of money on the home security system hardware itself as well as enjoy free email alert notifications and or low cost cell phone

text message alert notifications depending on the monitoring options you choose Easy to understand step by step instructions will be given so that the average non technical person will be able to assemble and operate this home security system The main components of the security system are the ESP32 CAM a motion sensor an Android cell phone and a home internet connection In addition custom software created by the author will be provided for the ESP32 and Android devices Security System Main Features Live Real Time Local Video Monitoring using multiple ESP32 CAM units Free Email Notifications With Images Using Your Existing Home Internet Connection Low Cost Text Message Notifications Using Your Android Cell Phone Easy Hardware Assembly and Simple Software Setup Procedure Use your existing Android cell phone to control and monitor your alarm system Modular sensor system allows you to add up to 11 ESP32 CAM units with motion sensors to the security system Maximum Security and Privacy Security System Basic Operation 1 Set up your security system for operation using your Controller cell phone 2 Activate the security system using your Controller cell phone 3 Receive emergency text alerts on your personal cell phone if the alarm has been tripped 4 Receive emergency emails with images of people that have tripped the sensors in or outside of your home to an email address you designate 5 If an intruder or other emergency is confirmed then call the police as needed

#### **Wireless Based Home Security with Automation System** Wan Norziela Wan

Rosli,2010 The aim of the project is to design a wireless based home security with automation system The system uses wireless technology to revolutionize the standards of living which could give assurance for user to protect their homes from burglars thieves and criminals This project is so versatile and is equipped with various sensors such as passive infrared sensor magnetic switch sensor and vibration sensor to detect different forms of intrusion A microcontroller is used to control the system operation while a remote gadget is used to arm and disarm the system To ensure only the authorized user can operate the system the gadget is equipped with a password Various indication outputs such as BUZZER LED and LCD are used to display the alarm status In addition the sound indicators like siren are also included in the design to inform intrusion Due to the consideration of user friendliness portability as well as wider area coverage all the sensors and remote gadget are implemented using zigbee transceiver A backup battery module is also introduced in the design to ensure the system keep functioning even during power failure

#### **Home Automation System Using Arduino System Via IR Sensor** Akashdeep

Singh,Varinder Singh,Gagandeep Singh,2018-10-07 This work presents the design and model implementation of a novel home automation system applying the Internet of Things IoT technology It seeks simplified design protocols for developing a robust home automation system to deal with the problems of complexity multiple incompatible standards and the resulting expenses in the existing systems The embedded system featuresthe ubiquitous low cost 32 bit ESP8266 System on chip SoC module interfaced to some sensors and actuators for interaction inthe home Flexibility in the remote access operation and management is achieved through HTML5 based intuitive mobile and web GUI applications Web Application Messaging Protocol WAMP is deployed to ensure that individual applications and systems seamlessly communicate with a relatively high

level of security using robust web service security protocol This system offers a cost effective and efficient solution excluded which are present mostly in other solutions because the costs of a dedicated public IP address and a high end computer are excluded which are present mostly in other solutions **Advanced Home Security System** Ali Abbas,2017

Ignite the flame of optimism with Crafted by is motivational masterpiece, **Bluetooth Based Home Automation And Security System Using Arm9** . In a downloadable PDF format ( Download in PDF: \*), this ebook is a beacon of encouragement. Download now and let the words propel you towards a brighter, more motivated tomorrow.

[https://py.bijouxmedusa.com/files/detail/fetch.php/schlumberger\\_petrel\\_training\\_.pdf](https://py.bijouxmedusa.com/files/detail/fetch.php/schlumberger_petrel_training_.pdf)

## **Table of Contents Bluetooth Based Home Automation And Security System Using Arm9**

1. Understanding the eBook Bluetooth Based Home Automation And Security System Using Arm9
  - The Rise of Digital Reading Bluetooth Based Home Automation And Security System Using Arm9
  - Advantages of eBooks Over Traditional Books
2. Identifying Bluetooth Based Home Automation And Security System Using Arm9
  - Exploring Different Genres
  - Considering Fiction vs. Non-Fiction
  - Determining Your Reading Goals
3. Choosing the Right eBook Platform
  - Popular eBook Platforms
  - Features to Look for in an Bluetooth Based Home Automation And Security System Using Arm9
  - User-Friendly Interface
4. Exploring eBook Recommendations from Bluetooth Based Home Automation And Security System Using Arm9
  - Personalized Recommendations
  - Bluetooth Based Home Automation And Security System Using Arm9 User Reviews and Ratings
  - Bluetooth Based Home Automation And Security System Using Arm9 and Bestseller Lists
5. Accessing Bluetooth Based Home Automation And Security System Using Arm9 Free and Paid eBooks
  - Bluetooth Based Home Automation And Security System Using Arm9 Public Domain eBooks
  - Bluetooth Based Home Automation And Security System Using Arm9 eBook Subscription Services
  - Bluetooth Based Home Automation And Security System Using Arm9 Budget-Friendly Options
6. Navigating Bluetooth Based Home Automation And Security System Using Arm9 eBook Formats

- ePub, PDF, MOBI, and More
  - Bluetooth Based Home Automation And Security System Using Arm9 Compatibility with Devices
  - Bluetooth Based Home Automation And Security System Using Arm9 Enhanced eBook Features
7. Enhancing Your Reading Experience
    - Adjustable Fonts and Text Sizes of Bluetooth Based Home Automation And Security System Using Arm9
    - Highlighting and Note-Taking Bluetooth Based Home Automation And Security System Using Arm9
    - Interactive Elements Bluetooth Based Home Automation And Security System Using Arm9
  8. Staying Engaged with Bluetooth Based Home Automation And Security System Using Arm9
    - Joining Online Reading Communities
    - Participating in Virtual Book Clubs
    - Following Authors and Publishers Bluetooth Based Home Automation And Security System Using Arm9
  9. Balancing eBooks and Physical Books Bluetooth Based Home Automation And Security System Using Arm9
    - Benefits of a Digital Library
    - Creating a Diverse Reading Collection Bluetooth Based Home Automation And Security System Using Arm9
  10. Overcoming Reading Challenges
    - Dealing with Digital Eye Strain
    - Minimizing Distractions
    - Managing Screen Time
  11. Cultivating a Reading Routine Bluetooth Based Home Automation And Security System Using Arm9
    - Setting Reading Goals Bluetooth Based Home Automation And Security System Using Arm9
    - Carving Out Dedicated Reading Time
  12. Sourcing Reliable Information of Bluetooth Based Home Automation And Security System Using Arm9
    - Fact-Checking eBook Content of Bluetooth Based Home Automation And Security System Using Arm9
    - Distinguishing Credible Sources
  13. Promoting Lifelong Learning
    - Utilizing eBooks for Skill Development
    - Exploring Educational eBooks
  14. Embracing eBook Trends
    - Integration of Multimedia Elements
    - Interactive and Gamified eBooks

### **Bluetooth Based Home Automation And Security System Using Arm9 Introduction**

In this digital age, the convenience of accessing information at our fingertips has become a necessity. Whether its research papers, eBooks, or user manuals, PDF files have become the preferred format for sharing and reading documents. However, the cost associated with purchasing PDF files can sometimes be a barrier for many individuals and organizations. Thankfully, there are numerous websites and platforms that allow users to download free PDF files legally. In this article, we will explore some of the best platforms to download free PDFs. One of the most popular platforms to download free PDF files is Project Gutenberg. This online library offers over 60,000 free eBooks that are in the public domain. From classic literature to historical documents, Project Gutenberg provides a wide range of PDF files that can be downloaded and enjoyed on various devices. The website is user-friendly and allows users to search for specific titles or browse through different categories. Another reliable platform for downloading Bluetooth Based Home Automation And Security System Using Arm9 free PDF files is Open Library. With its vast collection of over 1 million eBooks, Open Library has something for every reader. The website offers a seamless experience by providing options to borrow or download PDF files. Users simply need to create a free account to access this treasure trove of knowledge. Open Library also allows users to contribute by uploading and sharing their own PDF files, making it a collaborative platform for book enthusiasts. For those interested in academic resources, there are websites dedicated to providing free PDFs of research papers and scientific articles. One such website is Academia.edu, which allows researchers and scholars to share their work with a global audience. Users can download PDF files of research papers, theses, and dissertations covering a wide range of subjects. Academia.edu also provides a platform for discussions and networking within the academic community. When it comes to downloading Bluetooth Based Home Automation And Security System Using Arm9 free PDF files of magazines, brochures, and catalogs, Issuu is a popular choice. This digital publishing platform hosts a vast collection of publications from around the world. Users can search for specific titles or explore various categories and genres. Issuu offers a seamless reading experience with its user-friendly interface and allows users to download PDF files for offline reading. Apart from dedicated platforms, search engines also play a crucial role in finding free PDF files. Google, for instance, has an advanced search feature that allows users to filter results by file type. By specifying the file type as "PDF," users can find websites that offer free PDF downloads on a specific topic. While downloading Bluetooth Based Home Automation And Security System Using Arm9 free PDF files is convenient, its important to note that copyright laws must be respected. Always ensure that the PDF files you download are legally available for free. Many authors and publishers voluntarily provide free PDF versions of their work, but its essential to be cautious and verify the authenticity of the source before downloading Bluetooth Based Home Automation And Security System Using Arm9. In conclusion, the internet offers numerous platforms and websites that allow users to download free PDF files legally. Whether its classic literature, research papers, or magazines, there is something for everyone. The platforms mentioned in this article,

such as Project Gutenberg, Open Library, Academia.edu, and Issuu, provide access to a vast collection of PDF files. However, users should always be cautious and verify the legality of the source before downloading Bluetooth Based Home Automation And Security System Using Arm9 any PDF files. With these platforms, the world of PDF downloads is just a click away.

### **FAQs About Bluetooth Based Home Automation And Security System Using Arm9 Books**

How do I know which eBook platform is the best for me? Finding the best eBook platform depends on your reading preferences and device compatibility. Research different platforms, read user reviews, and explore their features before making a choice. Are free eBooks of good quality? Yes, many reputable platforms offer high-quality free eBooks, including classics and public domain works. However, make sure to verify the source to ensure the eBook credibility. Can I read eBooks without an eReader? Absolutely! Most eBook platforms offer webbased readers or mobile apps that allow you to read eBooks on your computer, tablet, or smartphone. How do I avoid digital eye strain while reading eBooks? To prevent digital eye strain, take regular breaks, adjust the font size and background color, and ensure proper lighting while reading eBooks. What the advantage of interactive eBooks? Interactive eBooks incorporate multimedia elements, quizzes, and activities, enhancing the reader engagement and providing a more immersive learning experience. Bluetooth Based Home Automation And Security System Using Arm9 is one of the best book in our library for free trial. We provide copy of Bluetooth Based Home Automation And Security System Using Arm9 in digital format, so the resources that you find are reliable. There are also many Ebooks of related with Bluetooth Based Home Automation And Security System Using Arm9. Where to download Bluetooth Based Home Automation And Security System Using Arm9 online for free? Are you looking for Bluetooth Based Home Automation And Security System Using Arm9 PDF? This is definitely going to save you time and cash in something you should think about. If you trying to find then search around for online. Without a doubt there are numerous these available and many of them have the freedom. However without doubt you receive whatever you purchase. An alternate way to get ideas is always to check another Bluetooth Based Home Automation And Security System Using Arm9. This method for see exactly what may be included and adopt these ideas to your book. This site will almost certainly help you save time and effort, money and stress. If you are looking for free books then you really should consider finding to assist you try this. Several of Bluetooth Based Home Automation And Security System Using Arm9 are for sale to free while some are payable. If you arent sure if the books you would like to download works with for usage along with your computer, it is possible to download free trials. The free guides make it easy for someone to free access online library for download books to your device. You can get free download on free trial for lots of books categories. Our library is the biggest of these that have literally hundreds of thousands of different products categories represented. You will also see that there are specific sites

catered to different product types or categories, brands or niches related with Bluetooth Based Home Automation And Security System Using Arm9. So depending on what exactly you are searching, you will be able to choose e books to suit your own need. Need to access completely for Campbell Biology Seventh Edition book? Access Ebook without any digging. And by having access to our ebook online or by storing it on your computer, you have convenient answers with Bluetooth Based Home Automation And Security System Using Arm9 To get started finding Bluetooth Based Home Automation And Security System Using Arm9, you are right to find our website which has a comprehensive collection of books online. Our library is the biggest of these that have literally hundreds of thousands of different products represented. You will also see that there are specific sites catered to different categories or niches related with Bluetooth Based Home Automation And Security System Using Arm9 So depending on what exactly you are searching, you will be able to choose ebook to suit your own need. Thank you for reading Bluetooth Based Home Automation And Security System Using Arm9. Maybe you have knowledge that, people have search numerous times for their favorite readings like this Bluetooth Based Home Automation And Security System Using Arm9, but end up in harmful downloads. Rather than reading a good book with a cup of coffee in the afternoon, instead they juggled with some harmful bugs inside their laptop. Bluetooth Based Home Automation And Security System Using Arm9 is available in our book collection an online access to it is set as public so you can download it instantly. Our digital library spans in multiple locations, allowing you to get the most less latency time to download any of our books like this one. Merely said, Bluetooth Based Home Automation And Security System Using Arm9 is universally compatible with any devices to read.

### **Find Bluetooth Based Home Automation And Security System Using Arm9 :**

#### ***schlumberger petrel training***

*[silberschatz operating system concepts solution manual pdf](#)*

*[seguridad basada en el comportamiento uv](#)*

*[simple conquering the crisis of complexity](#)*

*[simple invoicing desktop database with ms access 2013 2016](#)*

*[sec560 network penetration testing and ethical hacking](#)*

#### ***siemens plc programming***

*[saudi heart association acls pre test](#)*

*[significado del nombre jaqueline origen del nombre](#)*

*[sentenza cassazione civile sez prima pres ragonesi](#)*

*[satan una autobiografia gratis](#)*

~~signal processing for intelligent sensor systems with matlab 1-2 second edition signal processing and communications  
scantronic 500r user guide~~

~~semiotics and church architecture by gerard lukken~~

~~secret societies a sinister agenda exposed~~

**Bluetooth Based Home Automation And Security System Using Arm9 :**

**read free juristische grundkurse zivilprozessrecht 1 erkenn** - Mar 09 2023

web 1 juristische grundkurse zivilprozessrecht 1 erkenn zivilprozeßrecht jan 19 2023 der gütegedanke im römischen  
zivilprozessrecht sep 22 2020 zivilprozeßrecht apr 29

**juristische grundkurse zivilprozessrecht 1 erkenn wrbb neu** - Nov 05 2022

web 2 juristische grundkurse zivilprozessrecht 1 erkenn 2023 01 26 now in its second edition this authoritative work brings  
together the major instruments in this field

**grundlagen zivilrecht videokurs hehenberger rechtskurse** - Aug 02 2022

web video vorbereitung fall 1 werkvertrag teil 3 video lösung fall 1 werkvertrag sowiesokosten video lösung fall 1  
werkvertrag 933a ivm 1167 video lösung fall

**juristische grundkurse zivilprozessrecht 1 erkenntnisverfahren** - May 11 2023

web juristische grundkurse zivilprozessrecht 1 erkenntnisverfahren by piet leckl zivilprozessrecht de april 16th 2020 find the  
best information and most relevant links

*juristische grundkurse zivilprozessrecht 1 erkenn book* - Dec 26 2021

web 1 juristische grundkurse zivilprozessrecht 1 erkenn ungeschriebene korrekturinstrumente im zivilprozeßrecht jan 23  
2021 rechtsschutzbedurfnis und treu

kurse zu zivilprozessrecht fortbildung 24 - Jan 07 2023

web kostenlos info anfordern details karte veranstalter termine bewertung spezielle rechtsberatung zivilrecht bürgerliches  
recht handels und gesellschaftsrecht

**juristische grundkurse zivilprozessrecht 1 erkenntnisverfahren** - Jul 13 2023

web get the juristische grundkurse zivilprozessrecht 1 erkenntnisverfahren by piet leckl join that we have the funds for here  
and check out the link this is also one of the

juristische grundkurse zivilprozessrecht 1 erkenntnisverfahren - Feb 08 2023

web juristische grundkurse zivilprozessrecht 1 erkenntnisverfahren by piet leckl june 1st 2020 juristische grundkurse  
zivilprozessrecht 2 zwangsvollstreckung leckl piet isbn

**jura online lernen juracademy de** - Jun 12 2023

web 1 teil einführung in das zivilprozessrecht a grundlagen b ausgangsfall c internetrecherche d aktuelle reformen e herausforderungen einer zpo prüfung 2

juristische grundkurse zivilprozessrecht 1 erkenntnisverfahren - Oct 04 2022

web oct 15 2023 juristische grundkurse zivilprozessrecht 1 zivilprozessrecht erkenntnisverfahren jura uni bielefeld moodle lmu de alle kurse zivilprozessrecht von

**download free juristische grundkurse zivilprozessrecht 1 erkenn** - Apr 29 2022

web 1 juristische grundkurse zivilprozessrecht 1 erkenn grundkurs berufsrecht für die soziale arbeit nov 25 2022 in der sozialen arbeit tätige menschen müssen sich mit

*juristische grundkurse zivilprozessrecht 1 erkenn* - Jul 01 2022

web juristische grundkurse zivilprozessrecht 1 erkenn as recognized adventure as competently as experience approximately lesson amusement as well as conformity can

*juristische grundkurse zivilprozessrecht 1 erkenntnisverfahren* - Sep 15 2023

web das didaktische konzept der reihe juristische grundkurse kompakte leicht verständliche zusammenfassung des wesentlichen stoffes nachfolgend die anwendung des erlernten

juristische grundkurse zivilprozessrecht 1 erkenntnisverfahren - May 31 2022

web juristische grundkurse zivilprozessrecht 1 erkenntnisverfahren by piet leckl christoph g paulus author of a global view of business erkenntnisverfahren zivilprozessrecht online

*zivilrechtsklausuren für anfänger jus juristische schulung* - Apr 10 2023

web willkommen beim jus klausurfinder Über 1 200 jus fallbearbeitungen geordnet nach themen und problemschwerpunkten als jus abonnent haben sie zugriff auf den

juristische grundkurse zivilprozessrecht 1 erkenntnisverfahren - Sep 03 2022

web sep 18 2023 erkenntnisverfahren zivilprozessrecht online lernen juristische grundkurse zivilprozessrecht 2 zivilprozessrecht i lüke leseprobe studienliteratur

juristische grundkurse zivilprozessrecht 1 erkenn book - Oct 16 2023

web 1 juristische grundkurse zivilprozessrecht 1 erkenn 253 299a aug 11 2020 die kommentierung umfasst neben der zivilprozessordnung auch die relevanten

**juristische grundkurse zivilprozessrecht 1 erkenn vps huratips** - Feb 25 2022

web juristische grundkurse zivilprozessrecht 1 erkenn 3 3 under what conditions do different kinds of law emerge what are the bases of the rule of law ideal that marks

**juristische grundkurse zivilprozessrecht 1 erkenn** - Jan 27 2022

web 1 juristische grundkurse zivilprozessrecht 1 erkenn schwerpunktbereich arbeits und sozialrecht mar 30 2021

gegenstand der fallsammlung ist das examenswissen zur

*juristische grundkurse zivilprozessrecht 1 amazon de* - Aug 14 2023

web juristische grundkurse zivilprozessrecht 1 erkenntnisverfahren leckl piet amazon de bücher

juristische grundkurse zivilprozessrecht 1 erkenntnisverfahren - Nov 24 2021

web sep 4 2023 april 16th 2020 zivilprozessrecht 16<sup>a</sup> edición münchen 2004 115 vi p 791 19 en relación con la vinculación entre jueces legos y verdad material ver s juristische

*juristische grundkurse zivilprozessrecht 1 erkenntnisverfahren* - Mar 29 2022

web wont be confused to enjoy every book gatherings juristische grundkurse zivilprozessrecht 1 erkenntnisverfahren by piet leckl that we will absolutely offer

**juristische grundkurse zivilprozessrecht 1 erkenn pdf pdf tax** - Dec 06 2022

web juristische grundkurse zivilprozessrecht 1 erkenn pdf pages 2 18 juristische grundkurse zivilprozessrecht 1 erkenn pdf upload suny v williamson 2 18

**15 best free diy deer blind plans to build your own its** - Apr 21 2022

web advertisement you have to be focused on choosing and shooting your target deer so avoid getting your attention diverted and up your deer hunting with these 15 free homemade deer stand plans that will help you build the cost efficient hunting stands and blinds

**26 inexpensive free diy deer stand plans diyncrafty** - Sep 07 2023

web you will find fascinating and cheap ideas here that are included a wooden ladder stand to make your hunting easier inexpensive hunting blind a shouting house for two persons that will also prove very budget friendly a deer stand built on a tree elevated deer hunting tower and so more interesting diy building plans that will enhance the

**11 free deer stand plans in a variety of sizes 6x6 deer blind plans** - Aug 26 2022

web jul 20 2022 h electrolyze this plan describes building a deer floor around a tree so it also includes ampere hand rail platform and a ladder the instructions call for ampere 16 foot ladder and have details for put everything this pieces together along at

**20 free diy deer stand plans perfect for hunting season** - Jul 05 2023

web free diy deer stand plans deer stands are an essential part of your hunting strategy they allow you to be above the ground making deer easier to spot spring blackout special the diy deer stand plans include a variety of sizes and styles from small lean tos to large permanent deer stands

*deer box stand plans myoutdoorplans - Feb 17 2022*

web sep 25 2015 deer box stand plans written by ovidiu this step by step diy woodworking project is about deer box stand plans the project features instructions for building a 4 8 deer blind this is a heavy duty construction that will stand time for many years in a row

how to build a deer stand howtospecialist - Dec 30 2022

web the first step of the project is to build the floor frame for the deer stand as you can easily notice in the diagram you need to build the components out of 2 4 lumber drill pilot holes through the side components and insert 2 1 2 screws into the perpendicular components

**20 deer stand plans to elevate your hunting game crafty club - Jun 23 2022**

web jan 8 2023 with these free deer stand plans you can build your own deer stands at home quickly and easily these plans are perfect for the beginner and experienced hunter alike so get out there and start hunting in style with

**11 free deer stand plans in a variety of sizes how to build an - Jul 25 2022**

web jul 20 2022 want to up your deer hunting game building ampere deer stand on to eigentums can help how how to do it yourself with these free deer blind plans

deer stand plans 4x8 free pdf download construct101 - Mar 01 2023

web deer stand plans 4 8 plans include a free pdf download link at bottom of blog post shopping list cutting list measurements drawings and step by step instructions deer stand plans 4 8 overview deer stand plans 4 8 material list shopping list floor 6 2 4 8 2 4 4 8 1 3 4 plywood 4 x8 wall frame 23 2 4 8

9 free diy deer stand plans you can build today with pictures - Apr 02 2023

web aug 10 2023 we have gathered 9 free deer stand plans that you can start working on today there are plans for a variety of skill levels and price points so we re sure you ll find an option here that will work for you and your needs

free 6x6 deer stand blind tower base plans and material list - Oct 28 2022

web nov 16 2021 free 6x6 deer stand blind tower base plans and material list i will do what i can yo teach you how to design and build a deer stand platform i included all measurements and also show how

*11 free deer stand plans in a variety of sizes how to build an - Sep 26 2022*

web jul 20 2022 wants to above choose deer hunting game building a deer stand on your eigenheim can help discover how until do it yourself in those cost free deer cover arrangements

*8 free deer stand plans how to build garden projects - Jun 04 2023*

web nov 5 2015 if you are a hunter a deer stand is essential to support your passion we have selected the best free deer blind plans on the internet all the plans are absolutely free so you have to spend money only on materials some plans even

come with real projects that are built from the instructions

**20 free diy deer stand plans and ideas perfect for hunting** - May 03 2023

web 1 free deer hunting stand plans these plans are really awesome though they are hand drawn you get to see what the stand looks like from the front back side and top views as well not to mention they also include a materials list to

how to build an affordable deer stand in 10 easy steps - May 23 2022

web aug 15 2022 49k views 1 year ago wisconsin deerstand buckfeveroutdoors buckfever in this video we are going to show you how to build a durable scent controlled and affordable deer stand

*19 diy deer stands to enhance your vantage point insteading* - Jan 31 2023

web sep 5 2023 types of materials to use while wood is the most common deer stand material you can use various other resources to build a deer stand or blind plywood is cheap but may not last as long as other woods treated wood protects your tree stand from weather and rot

11 free deer stand plans in a variety of sizes the spruce crafts - Oct 08 2023

web sep 22 2023 if you re a deer hunter or know someone who is you should consider using one of the below free deer stand plans to take your deer hunting to the next level these free building plans include free standing deer stand plans deer stands in

*20 free diy deer stand plans and ideas perfect for hunting* - Mar 21 2022

web if you re to avid hunter check out our 20 diverse diy deer stand plans some come with comprehensive planned while others are just for inspiration

**free deer stand plans myoutdoorplans** - Nov 28 2022

web jun 20 2014 free deer stand plans building a deer stand cut shopping lists a 2 pieces of 2 4 lumber 45 long 5 pieces 35 1 2 long joists b 1 piece of 3 4 plywood 48 x 35 1 2 long floor c 1 piece of 3 4 plywood 40 x 80 long 2xsides d 2 piece of 2 4 lumber 28 1 2 long 1 piece 69 3 4 long 1 piece 75 1 4 long 2xsides

**23 awesome free deer stand plans you can start right now** - Aug 06 2023

web nov 3 2017 16 building one epic deer blind 17 neat 4 4 deer stand plans 18 scribd shelters trophy deer stand plans 19 epic simple tower stand 20 awesome deer stand tower 21 basic ladder deer stand 22 hho4free com presents free deer tree stand plan 23 octagon deer blind plan related articles without further ado

**learning serbian journal and notebook a modern re pdf** - Sep 03 2022

web may 31 2023 you may not be perplexed to enjoy every ebook collections learning serbian journal and notebook a modern re that we will no question offer it is not in this area

**learning serbian journal and notebook a modern re wrbb neu** - Dec 06 2022

web 4 learning serbian journal and notebook a modern re 2020 09 21 assessment of learning journals and reflective writing the use of narrative and story telling techniques

**learning serbian journal and notebook a modern re wrbb neu** - Oct 04 2022

web learning serbian journal and notebook a modern re colleague that we meet the expense of here and check out the link you could purchase guide learning serbian

*learning serbian journal and notebook a modern re* - Aug 02 2022

web aug 24 2023 there are plenty of serbian learning apps available 1 ling ling is a chatbox with a beautiful interface its method is based on frequent repetition and

**learning serbian journal and notebook a modern resource** - May 11 2023

web buy learning serbian journal and notebook a modern resource note book for beginners and students that learn to speak and write serbian by language publishing

learning serbian journal and notebook a modern re pdf - Jun 12 2023

web learning serbian journal and notebook a modern resource note book for beginners and students that learn to speak and write serbian by language publishing the

**9 best books to learn serbian for beginners in 2023** - Jan 27 2022

web all you need to learn serbian online self study serbian language courses and live lessons with a world class teacher still you too are invited to join us on our new website

**serbian courses serbian language courses made with love** - Dec 26 2021

web may 27 2023 serbian journal and notebook a modern re is reachable in our digital library an online entry to it is set as public correspondingly you can download it instantly

**learning serbian journal and notebook a modern resource note** - Jul 13 2023

web jun 29 2023 learning serbian journal and notebook a modern re 1 13 downloaded from uniport edu ng on june 29 2023 by guest learning serbian journal and

*learning serbian journal and notebook a modern re pdf* - May 31 2022

web this learning serbian journal and notebook a modern re as one of the most enthusiastic sellers here will unquestionably be in the course of the best options to review 2

*learning serbian journal and notebook a modern re pdf* - Jan 07 2023

web learning serbian journal and notebook a modern re eventually you will utterly discover a other experience and completion by spending more cash still when attain

**learning serbian journal and notebook a modern resource note** - Apr 10 2023

web abebooks com learning serbian journal and notebook a modern resource note book for beginners and students that learn to speak and write serbian 9781091109155 by

[learning serbian journal and notebook a modern re mary](#) - Apr 29 2022

web learning serbian journal and notebook a modern re downloaded from reports budgetbakers com by guest amy phillips learning serbian with most

[learning serbian journal and notebook a modern re](#) - Nov 05 2022

web as this learning serbian journal and notebook a modern re it ends stirring subconscious one of the favored book learning serbian journal and notebook a

**learning serbian journal and notebook a modern re copy** - Feb 25 2022

web may 12 2023 increases difficulty as you progress includes tips and answers to most common problems comes with two cds 2 learn serbian quick easy efficient

*learn serbian 30 apps books podcasts courses and other* - Jul 01 2022

web apr 23 2023 learning serbian journal and notebook a modern re 2 9 downloaded from uniport edu ng on april 23 2023 by guest images in context today this book illustrates

**learning serbian journal and notebook a modern resource note** - Mar 09 2023

web learning serbian journal and notebook a modern re eventually you will very discover a supplementary experience and finishing by spending more cash learning serbian

**learning serbian journal and notebook a modern re copy** - Oct 24 2021

web may 23 2023 learning serbian journal and notebook a modern re 2 10 downloaded from uniport edu ng on may 23 2023 by guest death and of which this volume is a

**learning serbian journal and notebook a modern re** - Nov 24 2021

web may 8 2023 learning serbian journal and notebook a modern re 2 10 downloaded from uniport edu ng on may 8 2023 by guest understand global frameworks of identity

*learning serbian journal and notebook a modern* - Aug 14 2023

web buy learning serbian journal and notebook a modern resource note book for beginners and students that learn to speak and write serbian by publishing language

**learning serbian journal and notebook a modern re james a** - Feb 08 2023

web apr 4 2023 right here we have countless books learning serbian journal and notebook a modern re and collections to check out we additionally offer variant types and next

**learning serbian journal and notebook a modern re pdf** - Mar 29 2022

web mar 12 2023 learning serbian journal and notebook a modern re is available in our book collection an online access to it is set as public so you can get it instantly our

*learning serbian journal and notebook a modern re* - Sep 22 2021