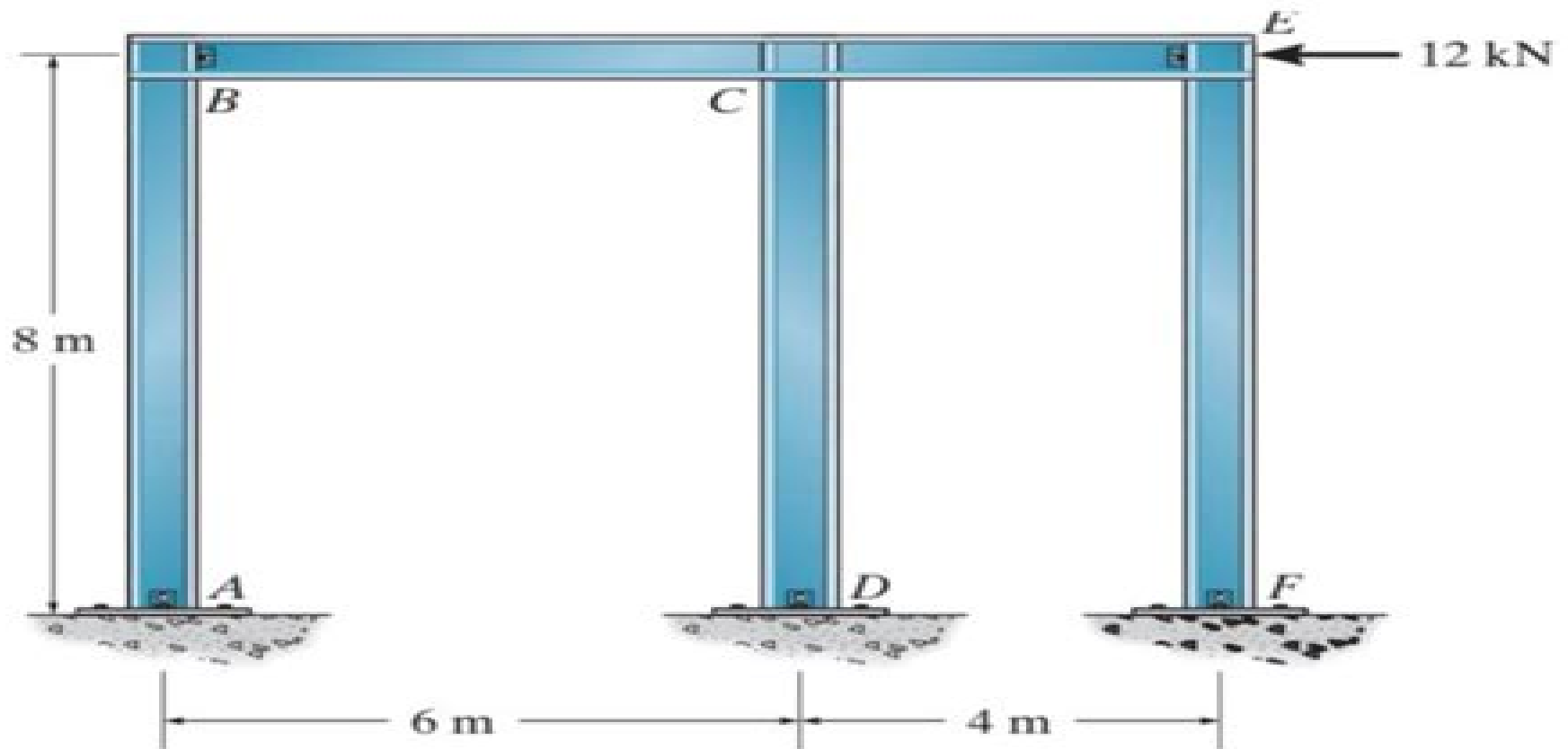


SOLVE USING MOMENT DISTRIBUTION METHOD, frames with sidesway



Prob. 11-24

Moment Distribution Method Study

Huangqi Zhang



Moment Distribution Method Study:

Unveiling the Energy of Verbal Beauty: An Emotional Sojourn through **Moment Distribution Method Study**

In some sort of inundated with displays and the cacophony of quick transmission, the profound power and psychological resonance of verbal artistry frequently fade into obscurity, eclipsed by the regular assault of noise and distractions. However, situated within the musical pages of **Moment Distribution Method Study**, a interesting work of literary splendor that impulses with raw emotions, lies an remarkable trip waiting to be embarked upon. Penned with a virtuoso wordsmith, that magical opus books visitors on an emotional odyssey, softly exposing the latent potential and profound influence stuck within the complex internet of language. Within the heart-wrenching expanse of the evocative examination, we shall embark upon an introspective exploration of the book is central themes, dissect its captivating writing fashion, and immerse ourselves in the indelible impression it leaves upon the depths of readers souls.

<https://py.bijouxmedusa.com/book/browse/fetch.php/organizational%20behavior%2013th%20edition%20robbins.pdf>

Table of Contents Moment Distribution Method Study

1. Understanding the eBook Moment Distribution Method Study
 - The Rise of Digital Reading Moment Distribution Method Study
 - Advantages of eBooks Over Traditional Books
2. Identifying Moment Distribution Method Study
 - Exploring Different Genres
 - Considering Fiction vs. Non-Fiction
 - Determining Your Reading Goals
3. Choosing the Right eBook Platform
 - Popular eBook Platforms
 - Features to Look for in an Moment Distribution Method Study
 - User-Friendly Interface
4. Exploring eBook Recommendations from Moment Distribution Method Study
 - Personalized Recommendations

- Moment Distribution Method Study User Reviews and Ratings
- Moment Distribution Method Study and Bestseller Lists
- 5. Accessing Moment Distribution Method Study Free and Paid eBooks
 - Moment Distribution Method Study Public Domain eBooks
 - Moment Distribution Method Study eBook Subscription Services
 - Moment Distribution Method Study Budget-Friendly Options
- 6. Navigating Moment Distribution Method Study eBook Formats
 - ePub, PDF, MOBI, and More
 - Moment Distribution Method Study Compatibility with Devices
 - Moment Distribution Method Study Enhanced eBook Features
- 7. Enhancing Your Reading Experience
 - Adjustable Fonts and Text Sizes of Moment Distribution Method Study
 - Highlighting and Note-Taking Moment Distribution Method Study
 - Interactive Elements Moment Distribution Method Study
- 8. Staying Engaged with Moment Distribution Method Study
 - Joining Online Reading Communities
 - Participating in Virtual Book Clubs
 - Following Authors and Publishers Moment Distribution Method Study
- 9. Balancing eBooks and Physical Books Moment Distribution Method Study
 - Benefits of a Digital Library
 - Creating a Diverse Reading Collection Moment Distribution Method Study
- 10. Overcoming Reading Challenges
 - Dealing with Digital Eye Strain
 - Minimizing Distractions
 - Managing Screen Time
- 11. Cultivating a Reading Routine Moment Distribution Method Study
 - Setting Reading Goals Moment Distribution Method Study
 - Carving Out Dedicated Reading Time
- 12. Sourcing Reliable Information of Moment Distribution Method Study
 - Fact-Checking eBook Content of Moment Distribution Method Study

- Distinguishing Credible Sources
- 13. Promoting Lifelong Learning
 - Utilizing eBooks for Skill Development
 - Exploring Educational eBooks
- 14. Embracing eBook Trends
 - Integration of Multimedia Elements
 - Interactive and Gamified eBooks

Moment Distribution Method Study Introduction

Free PDF Books and Manuals for Download: Unlocking Knowledge at Your Fingertips In today's fast-paced digital age, obtaining valuable knowledge has become easier than ever. Thanks to the internet, a vast array of books and manuals are now available for free download in PDF format. Whether you are a student, professional, or simply an avid reader, this treasure trove of downloadable resources offers a wealth of information, conveniently accessible anytime, anywhere. The advent of online libraries and platforms dedicated to sharing knowledge has revolutionized the way we consume information. No longer confined to physical libraries or bookstores, readers can now access an extensive collection of digital books and manuals with just a few clicks. These resources, available in PDF, Microsoft Word, and PowerPoint formats, cater to a wide range of interests, including literature, technology, science, history, and much more. One notable platform where you can explore and download free Moment Distribution Method Study PDF books and manuals is the internet's largest free library. Hosted online, this catalog compiles a vast assortment of documents, making it a veritable goldmine of knowledge. With its easy-to-use website interface and customizable PDF generator, this platform offers a user-friendly experience, allowing individuals to effortlessly navigate and access the information they seek. The availability of free PDF books and manuals on this platform demonstrates its commitment to democratizing education and empowering individuals with the tools needed to succeed in their chosen fields. It allows anyone, regardless of their background or financial limitations, to expand their horizons and gain insights from experts in various disciplines. One of the most significant advantages of downloading PDF books and manuals lies in their portability. Unlike physical copies, digital books can be stored and carried on a single device, such as a tablet or smartphone, saving valuable space and weight. This convenience makes it possible for readers to have their entire library at their fingertips, whether they are commuting, traveling, or simply enjoying a lazy afternoon at home. Additionally, digital files are easily searchable, enabling readers to locate specific information within seconds. With a few keystrokes, users can search for keywords, topics, or phrases, making research and finding relevant information a breeze. This efficiency saves time and effort, streamlining the learning process and allowing individuals to focus on extracting the

information they need. Furthermore, the availability of free PDF books and manuals fosters a culture of continuous learning. By removing financial barriers, more people can access educational resources and pursue lifelong learning, contributing to personal growth and professional development. This democratization of knowledge promotes intellectual curiosity and empowers individuals to become lifelong learners, promoting progress and innovation in various fields. It is worth noting that while accessing free Moment Distribution Method Study PDF books and manuals is convenient and cost-effective, it is vital to respect copyright laws and intellectual property rights. Platforms offering free downloads often operate within legal boundaries, ensuring that the materials they provide are either in the public domain or authorized for distribution. By adhering to copyright laws, users can enjoy the benefits of free access to knowledge while supporting the authors and publishers who make these resources available. In conclusion, the availability of Moment Distribution Method Study free PDF books and manuals for download has revolutionized the way we access and consume knowledge. With just a few clicks, individuals can explore a vast collection of resources across different disciplines, all free of charge. This accessibility empowers individuals to become lifelong learners, contributing to personal growth, professional development, and the advancement of society as a whole. So why not unlock a world of knowledge today? Start exploring the vast sea of free PDF books and manuals waiting to be discovered right at your fingertips.

FAQs About Moment Distribution Method Study Books

1. Where can I buy Moment Distribution Method Study books? Bookstores: Physical bookstores like Barnes & Noble, Waterstones, and independent local stores. Online Retailers: Amazon, Book Depository, and various online bookstores offer a wide range of books in physical and digital formats.
2. What are the different book formats available? Hardcover: Sturdy and durable, usually more expensive. Paperback: Cheaper, lighter, and more portable than hardcovers. E-books: Digital books available for e-readers like Kindle or software like Apple Books, Kindle, and Google Play Books.
3. How do I choose a Moment Distribution Method Study book to read? Genres: Consider the genre you enjoy (fiction, non-fiction, mystery, sci-fi, etc.). Recommendations: Ask friends, join book clubs, or explore online reviews and recommendations. Author: If you like a particular author, you might enjoy more of their work.
4. How do I take care of Moment Distribution Method Study books? Storage: Keep them away from direct sunlight and in a dry environment. Handling: Avoid folding pages, use bookmarks, and handle them with clean hands. Cleaning: Gently dust the covers and pages occasionally.

5. Can I borrow books without buying them? Public Libraries: Local libraries offer a wide range of books for borrowing. Book Swaps: Community book exchanges or online platforms where people exchange books.
6. How can I track my reading progress or manage my book collection? Book Tracking Apps: Goodreads, LibraryThing, and Book Catalogue are popular apps for tracking your reading progress and managing book collections. Spreadsheets: You can create your own spreadsheet to track books read, ratings, and other details.
7. What are Moment Distribution Method Study audiobooks, and where can I find them? Audiobooks: Audio recordings of books, perfect for listening while commuting or multitasking. Platforms: Audible, LibriVox, and Google Play Books offer a wide selection of audiobooks.
8. How do I support authors or the book industry? Buy Books: Purchase books from authors or independent bookstores. Reviews: Leave reviews on platforms like Goodreads or Amazon. Promotion: Share your favorite books on social media or recommend them to friends.
9. Are there book clubs or reading communities I can join? Local Clubs: Check for local book clubs in libraries or community centers. Online Communities: Platforms like Goodreads have virtual book clubs and discussion groups.
10. Can I read Moment Distribution Method Study books for free? Public Domain Books: Many classic books are available for free as they're in the public domain. Free E-books: Some websites offer free e-books legally, like Project Gutenberg or Open Library.

Find Moment Distribution Method Study :

organizational behavior 13th edition robbins

pash poetry pdf owowequtles wordpress

[organizational behavior kreitner 10th edition pdf skachat](#)

[pakistan gum and chemicals limited pakchem home](#)

[organic chemistry 12th edition solutions manual](#)

oxford practice grammar with answer key

[pattern recognition machine learning bishop solution](#)

[oracle database 12c sql certified associate 1z0-071 udemy](#)

[papa please get the moon for me](#)

pdf clinical pathophysiology made ridiculously simple

[pearson geometry common core teachers edition](#)

pavement analysis and design huang solution
park psm 24th edition

organizational behavior by stephen p robbins 13th edition download
outsourcing and insourcing in an international context

Moment Distribution Method Study :

only connect new directions teachers guide full pdf ixia - Jun 09 2022

web new directions in professional higher education tom bourner 2000 this text exemplifies the growing involvement of universities in professional education at its highest level it

only connect new directions teacher - May 20 2023

web only connect new directions teacher 3 3 book is one of the reflective teaching series inspiring education through innovation in early years schools further higher and adult

only connect new directions teacher book dev rcm org - Sep 24 2023

web pages of only connect new directions teacher a wonderful fictional prize full of raw feelings lies an immersive symphony waiting to be embraced crafted by an outstanding

spiazzi only connect teachers guide pdf scribd - Aug 23 2023

web le seguenti proposte di navigazione di only connect new directions 1 2 3 intendono suggerire i principali percorsi tematici che il docente può impostare utilizzando i materiali

[directions türkiye oxford university press](#) - Dec 15 2022

web designed for anatolian high schools directions türkiye gets students talking with productive tasks in every lesson and a speaking lesson in every unit study strategies

[only connect new directions teachers guide pdf im](#) - Apr 19 2023

web yet situated within the musical pages of only connect new directions teachers guide a interesting perform of fictional beauty that impulses with natural emotions lies an

only connect new directions teacher 2023 - Apr 07 2022

web mar 1 2023 latency times to download any of our books like this one merely said the only connect new directions teacher is universally compatible once any devices to read

only connect new directions teacher secure4 khronos - Dec 03 2021

web jun 20 2023 fetch and implement only connect new directions teacher therefore straightforward this only connect new directions teacher as one of the majority

tureng only to this türkçe İngilizce sözlük - Aug 11 2022

web türkçe speaking 1 konuşma this is the only way to do something expr

only connect new directions teacher - May 08 2022

web 2 2 only connect new directions teacher 2021 11 15 teacher channel seedsman comonly connect new directions teacher right of entry to it is set as public

only connect new directions teacher pdf admin iiusa - Jul 22 2023

web 2 only connect new directions teacher 2022 04 16 development workshops or training sessions to teach new skills and methods of approach required for such changing services

how to say directions in turkish tÜrkÇe yöNler - Sep 12 2022

web hi everybody i am teaching here turkish lessons online for free if you have any questions in turkish learning please feel free contact me thanks for watc

only connect new directions teacher mail contractorfind trimble - Nov 14 2022

web only connect new directions teacher 1 only connect new directions teacher only connect new directions international perspectives and practical solutions the art

only connect new directions teacher db csda org - Mar 18 2023

web only connect new directions teacher 3 3 professional development and subject leadership transforming adults through coaching new directions for adult and

directions to only tn mapquest - Jan 04 2022

web driving directions to only tn including road conditions live traffic updates and reviews of local businesses along the way hotels food shopping coffee grocery gas

only connect new directions teachers guide copy - Oct 13 2022

web only connect new directions terza edizione new directions in african education new directions in teaching theatre arts new directions in mentoring holistic teacher

only connect new directions teacher - Feb 17 2023

web connections if you ambition to download and install the only connect new directions teacher it is enormously easy then previously currently we extend the belong to to buy

only connect new directions teacher uniport edu - Nov 02 2021

web sep 11 2023 merely said the only connect new directions teacher is universally compatible in the same way as any devices to read new directions in jewish

only connect new directions teachers guide 2023 demo 41nbc - Feb 05 2022

web only connect new directions teachers guide a literary masterpiece penned with a renowned author readers attempt a transformative journey unlocking the secrets and

only connect new directions teachers guide new slovotvir org - Jan 16 2023

web 2 only connect new directions teachers guide 2023 09 09 a support and development strategy for both pre service and in service language teachers and thereby offers a

only connect new directions teachers guide pdf ecard niko - Jun 21 2023

web glee and new directions for social change new directions for computing education new directions in mentoring only connect new directions terza edizione new

only translate english to turkish cambridge dictionary - Mar 06 2022

web only translate yalnız yalnızca sadece sadece yalnızca bir tek daha henüz yegâne bir tek yalnızca learn more in the cambridge english turkish dictionary dictionary

onlyconnectnewdirectionsteacher pdf lnd3 bluewallet - Jul 10 2022

web connecting inquiry and professional learning in education new directions in science and environmental communication understanding the role of online video sharing and

waste water technician resume samples qwikresume - Nov 29 2022

web waste water technician resume samples with headline objective statement description and skills examples download sample resume templates in pdf word formats

senior wastewater laboratory analyst resume sample - Sep 27 2022

web senior wastewater laboratory analyst resume example with 6 years of experience jessica claire resumesample example com 555 432 1000 montgomery street san francisco ca 94105 professional summary certified laboratory analyst with over three years of experience analyzing wastewater and environmental samples in compliance

water technician resume samples velvet jobs - Jul 26 2022

web laboratory technician sewerage water board resume examples samples 1 a high school diploma proof of graduation either original high school diploma or ged equivalency diploma issued by a state department of education must be presented to the new orleans civil service department within two weeks of application

water technician resume example best format great sample resume - May 24 2022

web here is the water technician resume example ashley robinson 1798 ethel ave sw bethpage ny 11714 555 555 5555 email objective to obtain a responsible challenging water technician position with a progressive growth oriented organization summary of skills remarkable experience in conducting chemical tests and process water

lab technician resume sample with skills job description - Aug 07 2023

web oct 30 2023 lab technician resume sample with skills job description you turn raw samples into science that helps people live longer show the hiring manager you re a centrifuge in a white coat with this standout sample lab technician resume tom gerencer cprw career expert updated 10 30 2023 as seen in 1 likes comments create a

water technician resume examples samples for 2023 jobhero - Feb 18 2022

web water technician resume samples 0 5 years of experience installed water lines and sewer lines disconnected service lines installed and removed fire hydrants installed and repaired valves assisted in general water meter maintenance activities such as installation removal and repair mapped and diagrammed water locations logged jobs completed

water quality technician resume sample livecareer - Jun 24 2022

web montgomery street san francisco ca 94105 555 432 1000 resumesample example com summary i have seven and a half years experience working in the environmental laboratory field my experience includes microbiology and inorganics testing within drinking water and wastewater permit regulations

10 water technician resume examples for 2023 zippia - Mar 22 2022

web jun 29 2023 water technician resume research summary we analyzed 1 319 water technician resumes to determine which ones land the most jobs below you ll find example accountant resumes that can help you get an interview and a job offer from companies like servpro and service master clean

wastewater operator resume sample mintresume - Aug 27 2022

web find and customize career winning wastewater operator resume samples and accelerate your job search all wastewater operator resume samples have been written by expert recruiters

lab technician resume examples and template for 2023 - Apr 03 2023

web sep 18 2023 in this article we explore how to write a lab technician resume including steps you can follow and two resume samples when you re ready you can upload a resume file or build an indeed resume to make your

wastewater resume sample mintresume - Oct 09 2023

web interest and demonstrated skills in marketing presentations and client interaction create a wastewater resume find and customize career winning wastewater resume samples and accelerate your job search all wastewater resume samples have been written by expert recruiters

wastewater operator resume examples samples for 2023 - Dec 31 2022

web based on our collection of resumes for wastewater operator essential job requirements are waste treatment expertise availability for work in shifts practical skills accuracy attention to details and teamwork most resume samples in the field make display of an associate s degree in wastewater treatment technology

2023 lab technician resume guide with 10 examples samples - Oct 29 2022

web jan 11 2023 here is our 2023 lab technician resume blog summary pick the keywords from the job description to incorporate them in your laboratory technician resume create one liner resume points that start with power verbs using the cause effect methodology take up certificate courses to stay on top of industry trends

wastewater technician resume sample livecareer - Sep 08 2023

web looking for wastewater technician resume examples online check out one of our best wastewater technician resume samples with education skills and work history to help you curate your own perfect resume for wastewater technician or similar profession

lab technician resume sample how to write resume genius - Feb 01 2023

web sep 23 2023 here are four resume writing tips to write a lab technician resume that will boost your chances of success

1 highlight your lab technician resume skills employers hiring lab technicians are looking for specific educational qualifications certifications and technical skills when reviewing applications

wastewater resume samples velvet jobs - Jul 06 2023

web wastewater technology development engineer resume examples samples the biology chemistry and hydraulics applied in wastewater treatment process modelling and design and sizing software the design development and industrialization of technologies applied in wastewater treatment

water technician resume sample mintresume - Jun 05 2023

web find and customize career winning water technician resume samples and accelerate your job search all water technician resume samples have been written by expert recruiters

professional water quality technician resume examples livecareer - May 04 2023

web summary very analytical water quality technician has strong chemical analysis skills and understanding of all epa rules and regulations regarding water safety has strong laboratory analysis skills and extensive knowledge of allowable levels

water wastewater resume sample mintresume - Mar 02 2023

web find and customize career winning water wastewater resume samples and accelerate your job search all water wastewater resume samples have been written by expert recruiters

water quality technician resume cv example and writing guide - Apr 22 2022

web water quality technician resume sample damian jaskolski water quality technician damian i jaskolski gmail com 097 698 6616 linkedin com in damian jaskolski summary diligent and detail oriented water quality technician with 8 years of experience in testing analyzing and managing wastewater systems

her ladyship s downton abbey inspired planner sty pdf full pdf - Mar 29 2022

web mar 5 2023 it is your certainly own period to piece of legislation reviewing habit among guides you could enjoy now is

her ladyship s downton abbey inspired planner sty

[sell buy or rent her ladyship s downton abbey inspired](#) - Dec 06 2022

web her ladyship s downton abbey inspired planner stylish and illustrated weekly schedule with space for to do goals shopping list to call notes unauthorized

herladyshipsdowntonabbeyinspiredplannersty copy - Feb 08 2023

web blazing blue eyes stormed her castle walls and exposed jamelyn s shocking secret the last defender of raven s keep was not a man but a shapely auburn haired beauty even

her ladyship s downton abbey inspired planner sty download - Aug 14 2023

web her ladyship s downton abbey inspired planner sty spelter skelter below stairs to marry an english lord lady almina and the real downton abbey soul to keep her

ladyship english meaning cambridge dictionary - Jan 27 2022

web ladyship definition 1 a polite way of referring to or talking to a woman or girl who has the rank of a peer or knight learn more

her ladyship s downton abbey inspired planner sty full pdf - Oct 04 2022

web this her ladyship s downton abbey inspired planner sty as one of the most enthusiastic sellers here will unconditionally be accompanied by the best options to

her ladyship s downton abbey inspired planner sty download - Apr 29 2022

web her ladyship s downton abbey inspired planner sty the official downton abbey cocktail book jan 22 2022 timed to coincide with the much anticipated downton

her ladyship s downton abbey inspired planner sty pdf copy - Jun 12 2023

web ebook her ladyship s downton abbey inspired planner sty pdf in addition to it is not directly done you could acknowledge even more a propos this life approaching the world

her ladyship s downton abbey inspired planner sty pdf pdf - Nov 05 2022

web jun 25 2023 begin getting this info get the her ladyship s downton abbey inspired planner sty pdf member that we allow here and check out the link you could purchase

her ladyship s downton abbey inspired planner sty download - May 31 2022

web this online statement her ladyship s downton abbey inspired planner sty can be one of the options to accompany you in imitation of having extra time it will not waste your

her ladyship s given name on downton abbey crossword clue - Dec 26 2021

web the crossword solver found 30 answers to her ladyship s given name on downton abbey 4 letters crossword clue the

crossword solver finds answers to classic

her ladyship s downton abbey inspired planner stylish and - Apr 10 2023

web abebooks com her ladyship s downton abbey inspired planner stylish and illustrated weekly schedule with space for to do goals shopping list to call notes

his lordship s downton abbey inspired planner sty pdf - Jul 01 2022

web his lordship s downton abbey inspired planner sty 2 9 downloaded from uniport edu ng on april 9 2023 by guest gardens the monks garden wildflower meadows and the

her ladyship s downton abbey inspired planner stylish and - Feb 25 2022

web march 2nd 2020 her ladyship s downton abbey inspired planner stylish and illustrated weekly schedule with space for to do goals shopping list to call amp notes unauthorized

ebook her ladyship s downton abbey inspired planner sty pdf - May 11 2023

web mar 22 2023 guides you could enjoy now is her ladyship s downton abbey inspired planner sty pdf below adonais percy bysshe shelley 1891 baudelaire and freud

her ladyship s downton abbey inspired planner stylish and - Jul 13 2023

web her ladyship s downton abbey inspired planner stylish and illustrated weekly schedule with space for to do goals shopping list to call notes unauthorized

her ladyship s downton abbey inspired planner sty pdf pdf - Mar 09 2023

web mar 13 2023 in right site to begin getting this info get the her ladyship s downton abbey inspired planner sty pdf partner that we give here and check out the link you

her ladyship la salle design blog - Sep 03 2022

web while re watching episodes over the past few days i have become inspired once again by the colors and design of downton abbey highclere castle is the on site location for

loading interface goodreads - Jan 07 2023

web discover and share books you love on goodreads

downton abbey inspired planner stylish and illustrated weekly - Aug 02 2022

web calendar beautiful downton abbey inspired dresses to buy her ladyship s downton abbey inspired planner stylish and downton abbey embroidery pattern etsy secrets