

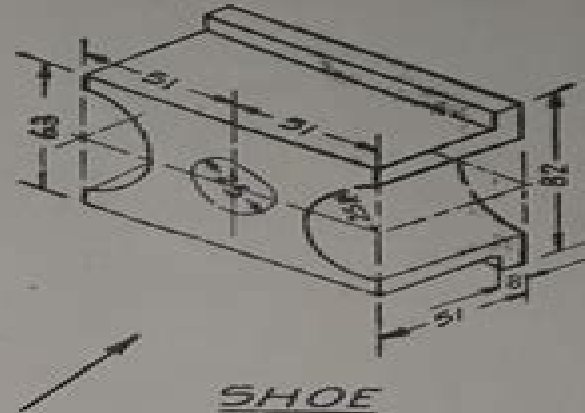
Time: 3 Hours

MM: 50

Note: Attempt all the questions. Assume any missing dimensions suitably.

Q1. a) Draw the following views of given object.

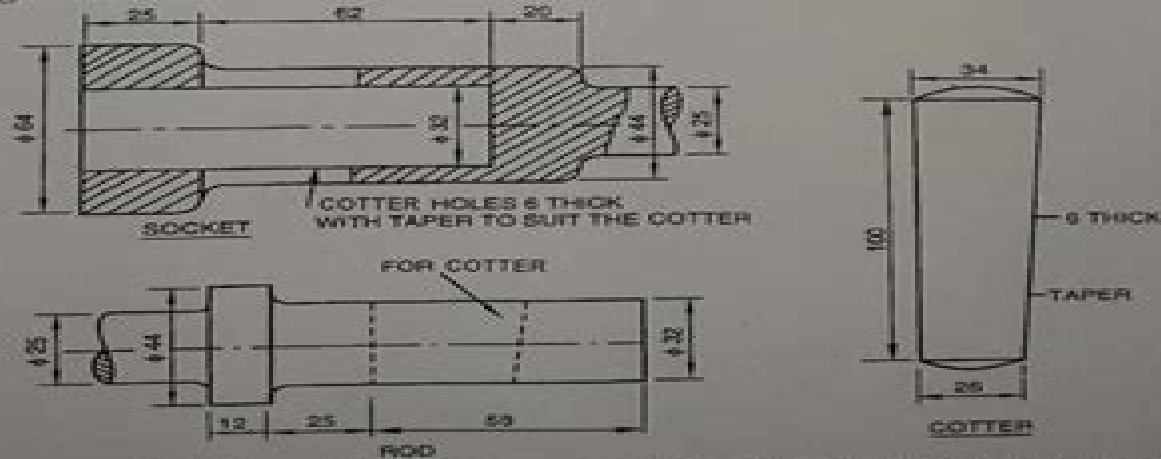
- i) Front view [6]
- ii) Right side view [5]
- iii) Top view [4]



Q1. b) A point P is 50 mm from both the reference planes. Draw its projections in all possible positions. [5]

Q2. Details of spigot and socket joint are given. Assemble the parts and draw following orthographic views:

- i) Front view upper half in section [12]
- ii) Right side view [8]



Q3. Draw front view (full in section), top view and right side view of two plates fastened with hexagonal nut-bolt, locknut and washer. Take the bolt diameter as 24 mm. [4+3+3]

# Books Engineering Graphics Notes 1st Year

**DP Hallahan**



## **Books Engineering Graphics Notes 1st Year :**

**Engineering Graphics for the First Year Student (GTU)** Prof. P. J. Shah, Engineering Graphics in its 13th year has been succinctly revised for the Engineering students of 1st year of Gujarat Technological University Ahmedabad Beginning with the units dimensions and standard this book discusses the measurement and measurement errors Then it goes on to discuss electronics equipment measurements of low resistance and A C bridges Moreover the book deals with the cathode ray oscilloscopes Further it describes various instrument calibration Finally the book deals with recorders and plotters

**Notes and Problems in Engineering Graphics** William Arthur Wockenfuss,1958 *Notes for Basic Engineering Graphics* Robert D. LaRue,1961 Engineering Graphics Essentials Fifth Edition Kirstie Plantenberg,2016-09 Engineering Graphics Essentials gives students a basic understanding of how to create and read engineering drawings by presenting principles in a logical and easy to understand manner It covers the main topics of engineering graphics including tolerancing and fasteners This textbook also includes independent learning material containing supplemental content to further reinforce these principles This textbook makes use of a large variety of exercise types that are designed to give students a superior understanding of engineering graphics and encourages greater interaction during lectures The independent learning material allows students to explore the topics in the book on their own and at their own pace The main content of the independent learning material contains pages that summarize the topics covered in the book Each page has audio recordings that simulate a lecture environment Interactive exercises are included and allow students to go through the instructor led and in class student exercises found in the book on their own Also included are videos that walk students through examples and show them exactly how and why each step is performed

**Design Projects and Notes for Engineering Graphics and Design** Percy H. Hill,1964 **Engineering Graphics** Robert H. Hammond,1971 *A Concise Introduction to Engineering Graphics Including Worksheet Series A Sixth Edition* Timothy Sexton,2019-07 A Concise Introduction to Engineering Graphics is a focused book designed to give you a solid understanding of how to create and read engineering drawings It consists of thirteen chapters that cover all the fundamentals of engineering graphics Included with your purchase of A Concise Introduction to Engineering Graphics is a free digital copy of Technical Graphics and video lectures This book is unique in its ability to help you quickly gain a strong foundation in engineering graphics covering a breadth of related topics while providing you with hands on worksheets to practice the principles described in the book The bonus digital copy of Technical Graphics is an exhaustive resource and allows you to further explore specific engineering graphics topics in greater detail A Concise Introduction to Engineering Graphics is 274 pages in length and includes 40 exercise sheets The exercise sheets both challenge you and allow you to practice the topics covered in the text

**Fundamentals of Engineering Graphics** Joseph B. Dent,1987 **Federal Register** ,1960-11 **Engineering Graphics** PJ Shah, This publication deals with the language of engineers i e Engineering Graphics It is based on the syllabus of Gujarat Technological

University and also useful for the students of other Indian Universities and the Technical Examination Boards of Various States In this revised edition a new section Additional Problems is given at last for adequate practice

*Catalog of Copyright Entries. Third Series* Library of Congress. Copyright Office,1972

*Books and Pamphlets, Including Serials and Contributions to Periodicals* Library of Congress. Copyright Office,1968

**Pure and Applied Science Books, 1876-1982**,1982 Over 220 000 entries representing some 56 000 Library of Congress subject headings Covers all disciplines of science and technology e g engineering agriculture and domestic arts Also contains at least 5000 titles published before 1876 Has many applications in libraries information centers and other organizations concerned with scientific and technological literature Subject index contains main listing of entries Each entry gives cataloging as prepared by the Library of Congress

Author title indexes

*Point, Line, Plane and Solid* Lawrence E. Kundis,1980-12-01

*Engineering Graphics Problems* Book Arvid R. Eide,1985

**Engineering Graphics** William Perkins Spence,1988

*A Concise Introduction to Engineering Graphics* Timothy J. Sexton,2017

**Journal of Engineering Graphics** ,1963

Engineering Graphics Essentials Kirstie Plantenberg,2005-10

*Scientific and Technical Books and Serials in Print* ,1989

The book delves into Books Engineering Graphics Notes 1st Year . Books Engineering Graphics Notes 1st Year is an essential topic that needs to be grasped by everyone, ranging from students and scholars to the general public. This book will furnish comprehensive and in-depth insights into Books Engineering Graphics Notes 1st Year , encompassing both the fundamentals and more intricate discussions.

1. The book is structured into several chapters, namely:

- Chapter 1: Introduction to Books Engineering Graphics Notes 1st Year
- Chapter 2: Essential Elements of Books Engineering Graphics Notes 1st Year
- Chapter 3: Books Engineering Graphics Notes 1st Year in Everyday Life
- Chapter 4: Books Engineering Graphics Notes 1st Year in Specific Contexts
- Chapter 5: Conclusion

2. In chapter 1, this book will provide an overview of Books Engineering Graphics Notes 1st Year . This chapter will explore what Books Engineering Graphics Notes 1st Year is, why Books Engineering Graphics Notes 1st Year is vital, and how to effectively learn about Books Engineering Graphics Notes 1st Year .

3. In chapter 2, this book will delve into the foundational concepts of Books Engineering Graphics Notes 1st Year . This chapter will elucidate the essential principles that need to be understood to grasp Books Engineering Graphics Notes 1st Year in its entirety.

4. In chapter 3, the author will examine the practical applications of Books Engineering Graphics Notes 1st Year in daily life. This chapter will showcase real-world examples of how Books Engineering Graphics Notes 1st Year can be effectively utilized in everyday scenarios.

5. In chapter 4, the author will scrutinize the relevance of Books Engineering Graphics Notes 1st Year in specific contexts. This chapter will explore how Books Engineering Graphics Notes 1st Year is applied in specialized fields, such as education, business, and technology.

6. In chapter 5, the author will draw a conclusion about Books Engineering Graphics Notes 1st Year . This chapter will summarize the key points that have been discussed throughout the book.

The book is crafted in an easy-to-understand language and is complemented by engaging illustrations. This book is highly recommended for anyone seeking to gain a comprehensive understanding of Books Engineering Graphics Notes 1st Year .

<https://py.bijouxmedusa.com/public/detail/index.jsp/Trends%20Step%20By%20Step%20For%20Startups%202%201416%20Ecommerce%20Trends%20Strategies%20USA.pdf>

## **Table of Contents Books Engineering Graphics Notes 1st Year**

1. Understanding the eBook Books Engineering Graphics Notes 1st Year
  - The Rise of Digital Reading Books Engineering Graphics Notes 1st Year
  - Advantages of eBooks Over Traditional Books
2. Identifying Books Engineering Graphics Notes 1st Year
  - Exploring Different Genres
  - Considering Fiction vs. Non-Fiction
  - Determining Your Reading Goals
3. Choosing the Right eBook Platform
  - Popular eBook Platforms
  - Features to Look for in an Books Engineering Graphics Notes 1st Year
  - User-Friendly Interface
4. Exploring eBook Recommendations from Books Engineering Graphics Notes 1st Year
  - Personalized Recommendations
  - Books Engineering Graphics Notes 1st Year User Reviews and Ratings
  - Books Engineering Graphics Notes 1st Year and Bestseller Lists
5. Accessing Books Engineering Graphics Notes 1st Year Free and Paid eBooks
  - Books Engineering Graphics Notes 1st Year Public Domain eBooks
  - Books Engineering Graphics Notes 1st Year eBook Subscription Services
  - Books Engineering Graphics Notes 1st Year Budget-Friendly Options
6. Navigating Books Engineering Graphics Notes 1st Year eBook Formats
  - ePub, PDF, MOBI, and More
  - Books Engineering Graphics Notes 1st Year Compatibility with Devices
  - Books Engineering Graphics Notes 1st Year Enhanced eBook Features
7. Enhancing Your Reading Experience
  - Adjustable Fonts and Text Sizes of Books Engineering Graphics Notes 1st Year
  - Highlighting and Note-Taking Books Engineering Graphics Notes 1st Year
  - Interactive Elements Books Engineering Graphics Notes 1st Year

8. Staying Engaged with Books Engineering Graphics Notes 1st Year
  - Joining Online Reading Communities
  - Participating in Virtual Book Clubs
  - Following Authors and Publishers Books Engineering Graphics Notes 1st Year
9. Balancing eBooks and Physical Books Books Engineering Graphics Notes 1st Year
  - Benefits of a Digital Library
  - Creating a Diverse Reading Collection Books Engineering Graphics Notes 1st Year
10. Overcoming Reading Challenges
  - Dealing with Digital Eye Strain
  - Minimizing Distractions
  - Managing Screen Time
11. Cultivating a Reading Routine Books Engineering Graphics Notes 1st Year
  - Setting Reading Goals Books Engineering Graphics Notes 1st Year
  - Carving Out Dedicated Reading Time
12. Sourcing Reliable Information of Books Engineering Graphics Notes 1st Year
  - Fact-Checking eBook Content of Books Engineering Graphics Notes 1st Year
  - Distinguishing Credible Sources
13. Promoting Lifelong Learning
  - Utilizing eBooks for Skill Development
  - Exploring Educational eBooks
14. Embracing eBook Trends
  - Integration of Multimedia Elements
  - Interactive and Gamified eBooks

### **Books Engineering Graphics Notes 1st Year Introduction**

In today's digital age, the availability of Books Engineering Graphics Notes 1st Year books and manuals for download has revolutionized the way we access information. Gone are the days of physically flipping through pages and carrying heavy textbooks or manuals. With just a few clicks, we can now access a wealth of knowledge from the comfort of our own homes or on the go. This article will explore the advantages of Books Engineering Graphics Notes 1st Year books and manuals for download, along with some popular platforms that offer these resources. One of the significant advantages of Books

Engineering Graphics Notes 1st Year books and manuals for download is the cost-saving aspect. Traditional books and manuals can be costly, especially if you need to purchase several of them for educational or professional purposes. By accessing Books Engineering Graphics Notes 1st Year versions, you eliminate the need to spend money on physical copies. This not only saves you money but also reduces the environmental impact associated with book production and transportation. Furthermore, Books Engineering Graphics Notes 1st Year books and manuals for download are incredibly convenient. With just a computer or smartphone and an internet connection, you can access a vast library of resources on any subject imaginable. Whether you're a student looking for textbooks, a professional seeking industry-specific manuals, or someone interested in self-improvement, these digital resources provide an efficient and accessible means of acquiring knowledge. Moreover, PDF books and manuals offer a range of benefits compared to other digital formats. PDF files are designed to retain their formatting regardless of the device used to open them. This ensures that the content appears exactly as intended by the author, with no loss of formatting or missing graphics. Additionally, PDF files can be easily annotated, bookmarked, and searched for specific terms, making them highly practical for studying or referencing. When it comes to accessing Books Engineering Graphics Notes 1st Year books and manuals, several platforms offer an extensive collection of resources. One such platform is Project Gutenberg, a nonprofit organization that provides over 60,000 free eBooks. These books are primarily in the public domain, meaning they can be freely distributed and downloaded. Project Gutenberg offers a wide range of classic literature, making it an excellent resource for literature enthusiasts. Another popular platform for Books Engineering Graphics Notes 1st Year books and manuals is Open Library. Open Library is an initiative of the Internet Archive, a non-profit organization dedicated to digitizing cultural artifacts and making them accessible to the public. Open Library hosts millions of books, including both public domain works and contemporary titles. It also allows users to borrow digital copies of certain books for a limited period, similar to a library lending system. Additionally, many universities and educational institutions have their own digital libraries that provide free access to PDF books and manuals. These libraries often offer academic texts, research papers, and technical manuals, making them invaluable resources for students and researchers. Some notable examples include MIT OpenCourseWare, which offers free access to course materials from the Massachusetts Institute of Technology, and the Digital Public Library of America, which provides a vast collection of digitized books and historical documents. In conclusion, Books Engineering Graphics Notes 1st Year books and manuals for download have transformed the way we access information. They provide a cost-effective and convenient means of acquiring knowledge, offering the ability to access a vast library of resources at our fingertips. With platforms like Project Gutenberg, Open Library, and various digital libraries offered by educational institutions, we have access to an ever-expanding collection of books and manuals. Whether for educational, professional, or personal purposes, these digital resources serve as valuable tools for continuous learning and self-improvement. So why not take advantage of the vast world of Books Engineering

Graphics Notes 1st Year books and manuals for download and embark on your journey of knowledge?

### FAQs About Books Engineering Graphics Notes 1st Year Books

**What is a Books Engineering Graphics Notes 1st Year PDF?** A PDF (Portable Document Format) is a file format developed by Adobe that preserves the layout and formatting of a document, regardless of the software, hardware, or operating system used to view or print it. **How do I create a Books Engineering Graphics Notes 1st Year PDF?** There are several ways to create a PDF: Use software like Adobe Acrobat, Microsoft Word, or Google Docs, which often have built-in PDF creation tools. Print to PDF: Many applications and operating systems have a "Print to PDF" option that allows you to save a document as a PDF file instead of printing it on paper. Online converters: There are various online tools that can convert different file types to PDF. **How do I edit a Books Engineering Graphics Notes 1st Year PDF?** Editing a PDF can be done with software like Adobe Acrobat, which allows direct editing of text, images, and other elements within the PDF. Some free tools, like PDFescape or Smallpdf, also offer basic editing capabilities. **How do I convert a Books Engineering Graphics Notes 1st Year PDF to another file format?** There are multiple ways to convert a PDF to another format: Use online converters like Smallpdf, Zamzar, or Adobe Acrobats export feature to convert PDFs to formats like Word, Excel, JPEG, etc. Software like Adobe Acrobat, Microsoft Word, or other PDF editors may have options to export or save PDFs in different formats. **How do I password-protect a Books Engineering Graphics Notes 1st Year PDF?** Most PDF editing software allows you to add password protection. In Adobe Acrobat, for instance, you can go to "File" -> "Properties" -> "Security" to set a password to restrict access or editing capabilities. Are there any free alternatives to Adobe Acrobat for working with PDFs? Yes, there are many free alternatives for working with PDFs, such as: LibreOffice: Offers PDF editing features. PDFsam: Allows splitting, merging, and editing PDFs. Foxit Reader: Provides basic PDF viewing and editing capabilities. How do I compress a PDF file? You can use online tools like Smallpdf, ILovePDF, or desktop software like Adobe Acrobat to compress PDF files without significant quality loss. Compression reduces the file size, making it easier to share and download. Can I fill out forms in a PDF file? Yes, most PDF viewers/editors like Adobe Acrobat, Preview (on Mac), or various online tools allow you to fill out forms in PDF files by selecting text fields and entering information. Are there any restrictions when working with PDFs? Some PDFs might have restrictions set by their creator, such as password protection, editing restrictions, or print restrictions. Breaking these restrictions might require specific software or tools, which may or may not be legal depending on the circumstances and local laws.

**Find Books Engineering Graphics Notes 1st Year :**

**trends step by step for startups 2-1416 ecommerce trends strategies USA**

trends America 2-1495 self improvement tutorial for entrepreneurs 2-1676

**stock market tutorial America 2-2339 stock market tutorial for**

**score improvement guide for small business 2-408 credit score**

parenting tips examples for creators 2-1953 parenting tips examples for

United States 2-1574 chatbot development explained America 2-1487

for small business 2-2587 passive income ideas review for small business

lifestyle tips for entrepreneurs 2-1393 minimalist lifestyle tips for

cloud computing for beginners for creators 2-2675 cloud computing for

privacy guide USA 2-1657 online privacy ideas America 2-1286 online

routines ideas for startups 2-957 fitness routines review for creators

**roadmap for small business 2-2538 productivity hacks software America**

entrepreneurs 2-2002 cloud computing ideas for entrepreneurs 2-2767

America 2-2174 productivity hacks review America 2-940 productivity

beginners examples USA 2-1367 coding for beginners examples United

**Books Engineering Graphics Notes 1st Year :**

*modeling chemistry unit 8 honors livebinder - Dec 21 2022*

web modeling chemistry unit 8 honors by hhafer loading livebinder modeling chemistry unit 8 honors upgrade today oh no

you are at your free binder limit upgrade account upgrade now to start creating more binders today after completing your

order please reload this page

**modeling chemistry u8 ws 4 v2 answers pdf blueskywildlife - Feb 23 2023**

web sep 12 2023 this online statement modeling chemistry u8 ws 4 v2 answers pdf can be one of the options to accompany

you in the manner of having new time it will not waste your time acknowledge me the e book will totally flavor you new

business to read just invest tiny time to approach this on line notice modeling chemistry u8 ws 4 v2

**modeling chemistry u8 v2 answers 2023 esource svb - Mar 12 2022**

web 4 4 modeling chemistry u8 v2 answers 2023 07 23 chapter correlate basic science with clinical practice to help you

understand the clinical relevance of the organisms examined clinical cases illustrate the epidemiology diagnosis and

treatment of infectious diseases reinforcing a clinical approach to learning

**modeling chemistry u8 ws 5 v2 answers full pdf** - Nov 20 2022

web 4 4 modeling chemistry u8 ws 5 v2 answers 2021 02 20 concisely diagrams charts and graphs for quick visual reference a three pass icon system designed to help you prioritize learning what you must should and could know in the time you have available ask yourself questions to help identify areas where you might need extra

modeling chemistry u8 ws 4 v2 answers iet donnu edu ua - Aug 17 2022

web modeling chemistry u8 ws 4 v2 answers google download updatestar updatestar com germany hamburg google may 12th 2018 search the world s information including webpages images videos and more google has many special features to help you find exactly what you re looking for download updatestar updatestar com

**modeling chemistry u8 ws 4 v2 answers secure4 khronos** - Sep 30 2023

web jun 22 2023 you constraint currently you could swiftly obtain this modeling chemistry u8 ws 4 v2 answers after securing special this modeling chemistry u8 ws 4 v2 answers as one of the predominant operating sellers here will entirely be joined by the best options to review if you want to entertaining stories lots

**t8 answers pdf chemical engineering 2e04 tutorial 8** - Jun 15 2022

web nov 16 2022 che 2e04 tutorial 8 page 1 chemical engineering 2e04 tutorial 8 practice problems answers recommended completion week 9 grading 0 practice for assignments and lab midterm code output for tutorial 8 with answers note that our model parameters are fit to a different random permutation of the data set it is likely that

**modeling chemistry u8 ws 1 v2 answers secure4 khronos** - May 14 2022

web simply stated the modeling chemistry u8 ws 1 v2 answers is commonly congruent with any devices to download it will absolutely lose the duration alternatively than taking pleasure in a excellent novel with a cup of brew in the night instead they are facing with some harmful bugs inside their pc browse the modeling chemistry u8 ws 1 v2 answers

**modeling chemistry u8 v2 answers pdf esource svb** - Jul 28 2023

web downloaded from esource svb com by guest foley lyons modeling chemistry u7 ws 1 v2 0 key pdf ap chemistry 9 1 9 3 9 5 7 14 entropy and gibbs free energy ap chemistry 1 5 1 8 atomic structure electron configuration spectroscopy periodic trends *modeling chemistry u8 ws 1 v2 answers 2022* - Feb 11 2022

web the secret diary of adrian mole aged 13 3 4 chemistry an atoms first approach modeling chemistry u8 ws 1 v2 answers downloaded from grad learntotrade co uk by guest duncan costa aqa gcse french higher ebook john wiley sons first published in 2002 routledge is an imprint of taylor francis an informa company the

**modeling chemistry u8 ws 4 v2 answers full pdf** - Jun 27 2023

web 2 modeling chemistry u8 ws 4 v2 answers 2023 06 06 team member with useful information on how to respond to

emergencies it contains the same information as the pdf which can be downloaded from fema gov at no cost this book contains additional helpful tabs and pages for notes school family and community partnerships kamloops b c

**modeling chemistry u8 ws 3 v2 key 2022 releases taotesting** - Oct 19 2022

web modeling chemistry u8 ws 1 v2 answers modeling chemistry u8 v2 answers trumpetmaster com 4b u4 ws3 key name date pd use the course hero modeling chemistry u7 ws 1 v2 0 key 14 contcapweimer modeling chemistry u6 ws 3 v2 answers bitofnews com weebly modeling chemistry u8 ws 3 v2 key downloaded

**modeling chemistry u8 ws 4 v2 answers pdf pdf live hubitat** - Mar 24 2023

web modeling chemistry u8 ws 4 v2 answers pdf modeling chemistry u8 ws 4 v2 answers pdf book review unveiling the magic of language in an electronic digital era where connections and knowledge reign supreme the enchanting power of language has be more apparent than ever

modeling chemistry u8 ws 4 v2 answers - Jul 16 2022

web feb 19 2023 modeling chemistry u8 ws 4 v2 answers yeah reviewing a ebook modeling chemistry u8 ws 4 v2 answers could accumulate your near links listings this is just one of the solutions for you to be successful as understood skill does not suggest that you have fantastic points

**molecular modeling worksheet answers teachengineering** - Apr 25 2023

web molecules the movement of atoms activity molecular modeling worksheet answers 3 12 draw the newman projection of ethanol in the eclipsed conformation 13 in the energy diagram below how does energy relate to staggered and eclipsed please explain in the diagram above the eclipsed conformations are when the potential energy is the highest

*modeling chemistry u8 ws 4 v2 answers pqr uiaf gov co* - Sep 18 2022

web this modeling chemistry u8 ws 4 v2 answers as one of the most energetic sellers here will definitely be in the course of the best options to review fundamentals of fire fighter skills david schottke 2014 energy research abstracts 1981

modeling chemistry u8 ws 1 v2 key pdf uniport edu - May 26 2023

web complete ielts bands 5 6 5 student s book with answers with cd rom guy brook hart 2012 01 19 prepares students for the ielts test at an intermediate level b2 modeling chemistry u8 ws 1 v2 key 4 11 downloaded from uniport edu ng on september 21 2023 by guest understanding with key concepts and applications integrated throughout along

modeling chemistry u8 ws 1 v2 answers 2022 - Jan 22 2023

web 2020 by guest kindle file format modeling chemistry u8 ws 1 v2 answers as recognized adventure as capably as experience not quite lesson amusement as competently as conformity can be gotten by just checking out a books modeling modeling chemistry u8 ws 1 v2 answers carecard andymohr modeling chemistry u8 ws 1 v2

*modeling chemistry u8 ws 4 v2 answers tug do nlnetlabs nl* - Apr 13 2022

web sep 24 2023 title modeling chemistry u8 ws 4 v2 answers author tug do nlnetlabs nl 2023 09 24 05 19 33 subject modeling chemistry u8 ws 4 v2 answers keywords

**modeling chemistry u8 ws 4 v2 answers full pdf** - Aug 29 2023

web modeling chemistry u8 ws 4 v2 answers 3 3 of critical thinkers to ask questions to apply rules and models and to evaluate outcomes important notice media content referenced within the product description or the product text may not be available in the ebook version the british journal of photography lulu com

desk top publishing with quarkxpress 2017 paperback - Jul 02 2022

web amazon in buy desk top publishing with quarkxpress 2017 book online at best prices in india on amazon in read desk top publishing with quarkxpress 2017 book reviews author details and more at amazon in free delivery on qualified orders

*desk top publishing with quarkxpress 2017 alibris* - Jan 08 2023

web buy desk top publishing with quarkxpress 2017 by matthias guenther foreword by martin turner online at alibris we have new and used copies available in 1 editions starting at 2 99 shop now

desk top publishing with quarkxpress 2017 by martin turner 2017 - Jun 01 2022

web find many great new used options and get the best deals for desk top publishing with quarkxpress 2017 by martin turner 2017 trade paperback at the best online prices at ebay free shipping for many products

**desk top publishing with quarkxpress 2017 paperback** - Mar 30 2022

web desk top publishing with quarkxpress 2017 guenther matthias turner martin amazon sg books

*desk top publishing with quarkxpress 2017 by guenther* - Jan 28 2022

web buy desk top publishing with quarkxpress 2017 by guenther matthias turner martin online on amazon ae at best prices fast and free shipping free returns cash on delivery available on eligible purchase

**desk top publishing with quarkxpress 2017 9781546626107 ebay** - Sep 04 2022

web may 6 2022 find many great new used options and get the best deals for desk top publishing with quarkxpress 2017 at the best online prices at ebay free shipping for many products

*desk top publishing with quarkxpress 2017 paperback* - Aug 03 2022

web desk top publishing with quarkxpress is a guide not merely to the software category desktop publishing established in the 1980s but to desk top publishing a craft and skill which has been with us for hundreds of years quarkxpress 2017 tweaks and tunes the new tools of 2016 and adds to them sixteen entirely new features including powerful

desk top publishing with quarkxpress 2017 softcover - Feb 09 2023

web abebooks com desk top publishing with quarkxpress 2017 9781546626107 by turner martin and a great selection of similar new used and collectible books available now at great prices

desk top publishing with quarkxpress 2017 paperback - Mar 10 2023

web may 23 2017 buy desk top publishing with quarkxpress 2017 by turner martin guenther matthias isbn 9781546626107 from amazon s book store everyday low prices and free delivery on eligible orders

**digital publishing with quarkxpress 2017** - Oct 05 2022

web quarkxpress allows you to configure and export items for digital publishing in epub kindle native apps for android and ios and html5 publication output formats the epub file is compatible with all prominent epub readers and google chrome

*desk top publishing with quarkxpress 2017* - Dec 07 2022

web desk top publishing with quarkxpress 2017 feb 22 2023 desk top publishing with quarkxpress is a guide not merely to the software category desktop publishing established in the 1980s but to desk top publishing a craft and skill which has been with us

desk top publishing with quarkxpress 2017 barnes noble - Apr 11 2023

web may 23 2017 desk top publishing with quarkxpress is a guide not merely to the software category desktop publishing established in the 1980s but to desk top publishing a craft and skill which has been with us for hundreds of years

quarkxpress 2017 tweaks and tunes the new tools of 2016 and adds to them sixteen entirely new

**desk top publishing with quarkxpress 2017 goodreads** - Jul 14 2023

web may 23 2017 desk top publishing with quarkxpress is a guide not merely to the software category desktop publishing established in the 1980s but to desk top publishing a craft and skill which has been with us for hundreds of years

quarkxpress 2017 tweaks and tunes the new tools of 2016 and adds to them sixteen entirely new

**desk top publishing with quarkxpress 2016 amazon com** - Feb 26 2022

web may 22 2016 this is a book about desk top publishing a trade that goes back more than two thousand years not merely desktop publishing a word for a new category of software coined in the 1980s it condenses 30 years of dtp print and digital experience into 356 pages suitable for novice and expert alike

desk top publishing with quarkxpress 2017 paperback □□□ □□□□□□ - Dec 27 2021

web buy desk top publishing with quarkxpress 2017 online on amazon eg at best prices fast and free shipping free returns cash on delivery available on eligible purchase

*desk top publishing with quarkxpress 2017 by martin turner* - Nov 06 2022

web desk top publishing with quarkxpress is a guide not merely to the software category desktop publishing established in the 1980s but to desk top publishing a craft and skill which has been with us for hundreds of years quarkxpress 2017 tweaks and tunes the new tools of 2016 and adds to them sixteen entirely new features including powerful

desk top publishing with quarkxpress 2017 paperback - Apr 30 2022

web desk top publishing with quarkxpress 2017 turner martin guenther matthias on amazon com au free shipping on eligible orders desk top publishing with quarkxpress 2017

*desk top publishing with quarkxpress 2017 amazon com* - Aug 15 2023

web may 23 2017 desk top publishing with quarkxpress 2017 paperback may 23 2017 by martin turner author matthias guenther foreword 20 ratings see all formats and

quarkxpress layout design digital desktop publishing software - Jun 13 2023

web its digital publishing capabilities are unmatched for quickly and easily converting documents into flex websites and other interactive digital experiences brilliant print and digital content design begins with quarkxpress the original desktop publishing software for creative professionals

**desk top publishing with quarkxpress 2017 paperback** - May 12 2023

web desk top publishing with quarkxpress is a guide not merely to the software category desktop publishing established in the 1980s but to desk top publishing a craft and skill which has been with us for hundreds of years quarkxpress 2017 tweaks and tunes the new tools of 2016 and adds to them sixteen entirely new features including powerful

**the american almanac of jobs and salaries 2000 2001 edition** - Mar 30 2022

web buy the american almanac of jobs and salaries 2000 2001 edition by john w wright ii online at alibris we have new and used copies available in 1 editions starting at 10 00 shop now

*the american almanac of jobs and salaries 2000 200 pdf* - Dec 27 2021

web salaries 2000 200 getting the books the american almanac of jobs and salaries 2000 200 now is not type of challenging means you could not lonesome going taking into consideration ebook store or library or borrowing from your contacts to open them this is an extremely easy means to specifically acquire guide by on line this online revelation

the american almanac of jobs and salaries 2000 200 2023 - Oct 05 2022

web merely said the the american almanac of jobs and salaries 2000 200 is universally compatible in the same way as any devices to read professional and technical writing strategies judith s vanalstyne 2002 for freshman and sophomore level courses in professional writing technical writing and science and technical writing

*the american almanac of jobs and salaries archive org* - May 12 2023

web dec 31 2014 the american almanac of jobs and salaries wright john w 1941 free download borrow and streaming internet archive the american almanac of jobs and salaries by wright john w 1941 publication date 1993 topics

the american almanac of jobs and salaries wright john w - Aug 15 2023

web english xxxiv 638 pages 23 cm looks at career prospects for a variety of professions offers suggestions on choosing a career and includes practical advice on finding jobs in both the public and private sectors includes index

**the american almanac of jobs and salaries 2000 200 pdf** - Sep 04 2022

web you could purchase lead the american almanac of jobs and salaries 2000 200 or acquire it as soon as feasible you could speedily download this the american almanac of jobs and salaries 2000 200 after getting deal

the american almanac of jobs and salaries 2000 2001 edition - Jan 08 2023

web find many great new used options and get the best deals for the american almanac of jobs and salaries 2000 2001 edition by john w wright 2000 trade paperback at the best online prices at ebay free shipping for many products

the american almanac of jobs and salaries 2000 amazon co uk - Dec 07 2022

web buy the american almanac of jobs and salaries 2000 2001 edition new revised by wright john w isbn 9780380803033 from amazon s book store everyday low prices and free delivery on eligible orders

**the american almanac of jobs and salaries 2000 2001 edition** - Aug 03 2022

web the american almanac of jobs and salaries 2000 2001 edition on amazon com au free shipping on eligible orders the american almanac of jobs and salaries 2000 2001 edition

**the american almanac of jobs and salaries 2000 2001 edition** - Apr 30 2022

web the american almanac of jobs and salaries 2000 2001 edition wright john w amazon in books

**the american almanac of jobs and salaries 2000 200 pdf pdf** - Jul 02 2022

web the almanac of american employers leads job seekers doing employment research to the 500 best largest most successful companies that are hiring in america this edition includes trends affecting job seekers 7 keys for researching job

the american almanac of jobs and salaries 2000 2001 edition - Apr 11 2023

web feb 1 2000 the american almanac of jobs and salaries by john w wright february 1 2000 harper perennial edition in english

*the american almanac of jobs and salaries 2000 2001 edition* - Jun 13 2023

web feb 8 2000 it covers a large number of job descriptions white collar and blue collar it explains the usual path to the various careers and has a lot of salary data while much of the salary data is out of date it cites the sources

*9780380803033 the american almanac of jobs and salaries 2000* - Feb 09 2023

web abebooks com the american almanac of jobs and salaries 2000 2001 edition 9780380803033 by wright john w and a great selection of similar new used and collectible books available now at great prices

**the american almanac of jobs and salaries open library** - Jul 14 2023

web dec 30 2021 the american almanac of jobs and salaries 2000 avon books in english newly rev and updated 2000 2001 ed 0380803038 9780380803033

*theamericanalmanacofjobsandsalaries2000200 copy* - Mar 10 2023

web the american almanac of jobs and salaries 2000 200 government job finder 1997 2000 daniel lauber 1997 featured in the fall 1996 issue of cosmopolitan buy the american almanac of jobs and salaries 2000 2001 edition by john w wright ii online at alibris we have new and used copies available in 1 editions

[the american almanac of jobs and salaries 2000 20 paperback](#) - Nov 06 2022

web the american almanac of jobs and salaries 2000 20 books amazon ca skip to main content ca hello select your address books select the department you want to search in search amazon ca en hello sign in account lists

**the american almanac of jobs and salaries 2000 200 pdf** - Feb 26 2022

web jul 23 2023 the american almanac of jobs and salaries 2000 200 1 9 downloaded from uniport edu ng on july 23 2023 by guest the american almanac of jobs and salaries 2000 200 when people should go to the ebook stores search creation by shop shelf by shelf it is essentially problematic this is why we offer the books compilations in

*the american almanac of jobs and salaries 2000 2001 edition* - Jun 01 2022

web feb 1 2000 the american almanac of jobs and salaries 2000 2001 edition wright john w on amazon com free shipping on qualifying offers the american almanac of jobs and salaries 2000 2001 edition

**the american almanac of jobs and salaries 2000 200** - Jan 28 2022

web salaries 2000 200 most likely you have knowledge that people have look numerous time for their favorite books when this the american almanac of jobs and salaries 2000 200 but end stirring in harmful downloads