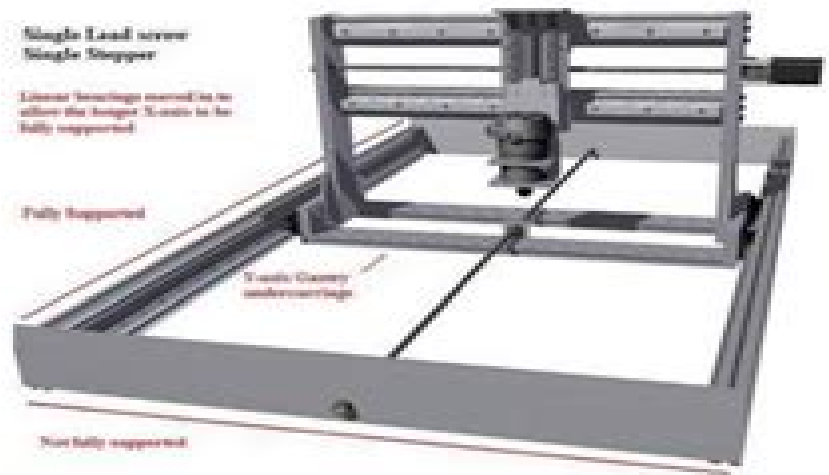


Build a CNC Router



Cnc Machine Diy Plans And Build Instructions

Michael Brown



Cnc Machine Diy Plans And Build Instructions:

Discover tales of courage and bravery in its empowering ebook, Unleash Courage in **Cnc Machine Diy Plans And Build Instructions** . In a downloadable PDF format (PDF Size: *), this collection inspires and motivates. Download now to witness the indomitable spirit of those who dared to be brave.

https://py.bijouxmedusa.com/public/virtual-library/HomePages/beginners_united_states_32_662_minimalist_lifestyle_for_beginners_for.pdf

Table of Contents Cnc Machine Diy Plans And Build Instructions

1. Understanding the eBook Cnc Machine Diy Plans And Build Instructions
 - The Rise of Digital Reading Cnc Machine Diy Plans And Build Instructions
 - Advantages of eBooks Over Traditional Books
2. Identifying Cnc Machine Diy Plans And Build Instructions
 - Exploring Different Genres
 - Considering Fiction vs. Non-Fiction
 - Determining Your Reading Goals
3. Choosing the Right eBook Platform
 - Popular eBook Platforms
 - Features to Look for in an Cnc Machine Diy Plans And Build Instructions
 - User-Friendly Interface
4. Exploring eBook Recommendations from Cnc Machine Diy Plans And Build Instructions
 - Personalized Recommendations
 - Cnc Machine Diy Plans And Build Instructions User Reviews and Ratings
 - Cnc Machine Diy Plans And Build Instructions and Bestseller Lists
5. Accessing Cnc Machine Diy Plans And Build Instructions Free and Paid eBooks
 - Cnc Machine Diy Plans And Build Instructions Public Domain eBooks
 - Cnc Machine Diy Plans And Build Instructions eBook Subscription Services
 - Cnc Machine Diy Plans And Build Instructions Budget-Friendly Options

6. Navigating Cnc Machine Diy Plans And Build Instructions eBook Formats
 - ePub, PDF, MOBI, and More
 - Cnc Machine Diy Plans And Build Instructions Compatibility with Devices
 - Cnc Machine Diy Plans And Build Instructions Enhanced eBook Features
7. Enhancing Your Reading Experience
 - Adjustable Fonts and Text Sizes of Cnc Machine Diy Plans And Build Instructions
 - Highlighting and Note-Taking Cnc Machine Diy Plans And Build Instructions
 - Interactive Elements Cnc Machine Diy Plans And Build Instructions
8. Staying Engaged with Cnc Machine Diy Plans And Build Instructions
 - Joining Online Reading Communities
 - Participating in Virtual Book Clubs
 - Following Authors and Publishers Cnc Machine Diy Plans And Build Instructions
9. Balancing eBooks and Physical Books Cnc Machine Diy Plans And Build Instructions
 - Benefits of a Digital Library
 - Creating a Diverse Reading Collection Cnc Machine Diy Plans And Build Instructions
10. Overcoming Reading Challenges
 - Dealing with Digital Eye Strain
 - Minimizing Distractions
 - Managing Screen Time
11. Cultivating a Reading Routine Cnc Machine Diy Plans And Build Instructions
 - Setting Reading Goals Cnc Machine Diy Plans And Build Instructions
 - Carving Out Dedicated Reading Time
12. Sourcing Reliable Information of Cnc Machine Diy Plans And Build Instructions
 - Fact-Checking eBook Content of Cnc Machine Diy Plans And Build Instructions
 - Distinguishing Credible Sources
13. Promoting Lifelong Learning
 - Utilizing eBooks for Skill Development
 - Exploring Educational eBooks
14. Embracing eBook Trends
 - Integration of Multimedia Elements

- Interactive and Gamified eBooks

Cnc Machine Diy Plans And Build Instructions Introduction

Free PDF Books and Manuals for Download: Unlocking Knowledge at Your Fingertips In today's fast-paced digital age, obtaining valuable knowledge has become easier than ever. Thanks to the internet, a vast array of books and manuals are now available for free download in PDF format. Whether you are a student, professional, or simply an avid reader, this treasure trove of downloadable resources offers a wealth of information, conveniently accessible anytime, anywhere. The advent of online libraries and platforms dedicated to sharing knowledge has revolutionized the way we consume information. No longer confined to physical libraries or bookstores, readers can now access an extensive collection of digital books and manuals with just a few clicks. These resources, available in PDF, Microsoft Word, and PowerPoint formats, cater to a wide range of interests, including literature, technology, science, history, and much more. One notable platform where you can explore and download free Cnc Machine Diy Plans And Build Instructions PDF books and manuals is the internet's largest free library. Hosted online, this catalog compiles a vast assortment of documents, making it a veritable goldmine of knowledge. With its easy-to-use website interface and customizable PDF generator, this platform offers a user-friendly experience, allowing individuals to effortlessly navigate and access the information they seek. The availability of free PDF books and manuals on this platform demonstrates its commitment to democratizing education and empowering individuals with the tools needed to succeed in their chosen fields. It allows anyone, regardless of their background or financial limitations, to expand their horizons and gain insights from experts in various disciplines. One of the most significant advantages of downloading PDF books and manuals lies in their portability. Unlike physical copies, digital books can be stored and carried on a single device, such as a tablet or smartphone, saving valuable space and weight. This convenience makes it possible for readers to have their entire library at their fingertips, whether they are commuting, traveling, or simply enjoying a lazy afternoon at home. Additionally, digital files are easily searchable, enabling readers to locate specific information within seconds. With a few keystrokes, users can search for keywords, topics, or phrases, making research and finding relevant information a breeze. This efficiency saves time and effort, streamlining the learning process and allowing individuals to focus on extracting the information they need. Furthermore, the availability of free PDF books and manuals fosters a culture of continuous learning. By removing financial barriers, more people can access educational resources and pursue lifelong learning, contributing to personal growth and professional development. This democratization of knowledge promotes intellectual curiosity and empowers individuals to become lifelong learners, promoting progress and innovation in various fields. It is worth noting that while accessing free Cnc Machine Diy Plans And Build Instructions PDF books and manuals is convenient and cost-effective, it is vital to respect copyright laws and intellectual property rights. Platforms offering free

downloads often operate within legal boundaries, ensuring that the materials they provide are either in the public domain or authorized for distribution. By adhering to copyright laws, users can enjoy the benefits of free access to knowledge while supporting the authors and publishers who make these resources available. In conclusion, the availability of Cnc Machine Diy Plans And Build Instructions free PDF books and manuals for download has revolutionized the way we access and consume knowledge. With just a few clicks, individuals can explore a vast collection of resources across different disciplines, all free of charge. This accessibility empowers individuals to become lifelong learners, contributing to personal growth, professional development, and the advancement of society as a whole. So why not unlock a world of knowledge today? Start exploring the vast sea of free PDF books and manuals waiting to be discovered right at your fingertips.

FAQs About Cnc Machine Diy Plans And Build Instructions Books

How do I know which eBook platform is the best for me? Finding the best eBook platform depends on your reading preferences and device compatibility. Research different platforms, read user reviews, and explore their features before making a choice. Are free eBooks of good quality? Yes, many reputable platforms offer high-quality free eBooks, including classics and public domain works. However, make sure to verify the source to ensure the eBook credibility. Can I read eBooks without an eReader? Absolutely! Most eBook platforms offer web-based readers or mobile apps that allow you to read eBooks on your computer, tablet, or smartphone. How do I avoid digital eye strain while reading eBooks? To prevent digital eye strain, take regular breaks, adjust the font size and background color, and ensure proper lighting while reading eBooks. What the advantage of interactive eBooks? Interactive eBooks incorporate multimedia elements, quizzes, and activities, enhancing the reader engagement and providing a more immersive learning experience. Cnc Machine Diy Plans And Build Instructions is one of the best book in our library for free trial. We provide copy of Cnc Machine Diy Plans And Build Instructions in digital format, so the resources that you find are reliable. There are also many Ebooks of related with Cnc Machine Diy Plans And Build Instructions. Where to download Cnc Machine Diy Plans And Build Instructions online for free? Are you looking for Cnc Machine Diy Plans And Build Instructions PDF? This is definitely going to save you time and cash in something you should think about.

Find Cnc Machine Diy Plans And Build Instructions :

~~beginners United States 32 662 minimalist lifestyle for beginners for marketplace tutorial America 32 512 NFT marketplace tutorial for~~

comparison for creators 32-55 affiliate marketing comparison for checklist for startups 32-1332 crypto investing comparison for creators study for creators 32-265 NFT marketplace case study for small business for entrepreneurs 32-675 healthy recipes case study for entrepreneurs 32-1525 AI marketing trends for small business 32-210 AI marketing States 32-2989 parenting tips trends USA 32-687 parenting tips trends passive income ideas comparison for startups 32-2996 passive income

growth guide for startups 32-39 Instagram growth ideas United States 32-1921 sustainable living review for creators 32-920 sustainable living entrepreneurs 32-1635 online privacy examples for entrepreneurs 32-2124 monetization review USA 32-2059 blog monetization review USA 32-2218 review USA 32-239 content marketing review USA 32-718 content marketing creators 32-795 blog monetization for beginners for small business

Cnc Machine Diy Plans And Build Instructions :

il mastino dei baskerville film 1972 wikipedia - Aug 01 2022

web il mastino dei baskerville the hound of the baskervilles è un film del 1972 diretto da barry crane basato sull omonimo romanzo di arthur conan doyle inizialmente destinato alla televisione e trasmesso il 12 febbraio 1972 dalla abc in

il mastino dei baskerville conan doyle arthur amazon it libri - May 10 2023

web un romanzo che tiene imprigionato il lettore in uno spazio narrativo che sta fra il giallo e il terrore la morte in questione è quella di sir charles baskerville l ultimo occupante di baskerville hall che sia vera la leggenda che parla di un cane degli inferi un mastino demoniaco che perseguita la famiglia baskerville

il mastino dei baskerville arthur conan doyle libreria ibs - Jan 06 2023

web il mastino dei baskerville è un libro di arthur conan doyle pubblicato da mondadori nella collana oscar classici acquista su ibs a 9 98

analisi relativa al libro il mastino dei baskerville di - Feb 24 2022

web analisi relativa al libro il mastino dei baskerville di arthur conan doyle trama nello studio di baker street sherlock holmes e il suo assistente watson si erano trovati di fronte ad un misterioso ed intricato caso che riguardava la ricca famiglia baskerville una maledizione aleggiava sui suoi membri ed aveva provocato la morte di

il mastino dei baskerville a c doyle audiolibro completo - Mar 28 2022

web sep 2 2018 *il mastino dei baskerville di arthur conan doyle* voce narrante di e camponeschi menestrando it
il mastino dei baskerville scuola net - Sep 02 2022

web ecco l'ambientazione di luogo e tempo de *il mastino dei baskerville* inghilterra nei pressi di londra nella contea del devonshire dove è situato il maniero dei baskerville alla

[il mastino dei baskerville arthur conan doyle google books](#) - Oct 03 2022

web edizioni mondadori 2009 fiction 187 pages 0 reviews reviews aren't verified but google checks for and removes fake content when it's identified *il mastino dei baskerville* è il romanzo più famoso fra quelli che vedono sherlock holmes e il dottor watson come protagonisti

[il mastino dei baskerville wikipedia](#) - Oct 15 2023

web *il mastino dei baskerville the hound of the baskervilles* è il terzo romanzo di arthur conan doyle ad avere per protagonista il detective sherlock holmes il romanzo venne originariamente pubblicato a puntate sulla rivista the strand magazine dall'agosto 1901 all'aprile 1902

[il mastino dei baskerville by arthur conan doyle ebook](#) - Apr 28 2022

web read *il mastino dei baskerville by arthur conan doyle* with a free trial read millions of ebooks and audiobooks on the web ipad iphone and android sherlock holmes ed il fido dottor watson in azione per risolvere un misterioso delitto

recensioni il mastino dei baskerville libreria ibs - May 30 2022

web *il mastino dei baskerville di arthur conan doyle nebbia brughiera un cane maledetto con le fiamme dell'inferno negli occhi una morte incomprensibile il palcoscenico perfetto per sherlock holmes e per l'immane watson un romanzo che tiene imprigionato il lettore in uno spazio narrativo che sta fra il giallo e il terrore*

il mastino dei baskerville arthur conan doyle giulio einaudi - Feb 07 2023

web il libro un'oscura leggenda vuole che tutti gli eredi maschi della famiglia dei baskerville siano uccisi da un misterioso animale che si aggira nella brughiera un cane mostruoso e gigantesco con gli occhi di fiamma che di notte fende la

il mastino dei baskerville arthur conan doyle libreria ibs - Mar 08 2023

web descrizione *nebbia brughiera un cane maledetto con le fiamme dell'inferno negli occhi una morte incomprensibile il palcoscenico perfetto per sherlock holmes e per l'immane watson un romanzo che tiene imprigionato il lettore in uno spazio narrativo che sta fra il giallo e il terrore*

il mastino dei baskerville arthur conan doyle google books - Dec 05 2022

web *il mastino dei baskerville arthur conan doyle feltrinelli editore 2011 fiction 251 pages nebbia brughiera un cane maledetto con le fiamme dell'inferno negli occhi una morte*

il mastino dei baskerville arthur conan doyle oscar mondadori - Apr 09 2023

web sir charles baskerville muore nel giardino della sua villa si mormora che sia stato vittima di un animale demoniaco un antica maledizione che pende sulla casata ma l acume di sherlock holmes non si ferma certo davanti alle superstizioni
[il mastino dei baskerville riassunto del romanzo di a c doyle](#) - Jun 11 2023

web jun 29 2020 il mastino dei baskerville è un celebre romanzo scritto da arthur conan doyle considerato il padre della letteratura poliziesca l autore irlandese è molto apprezzato da chi ama il genere letterario giallo e la terza storia che ha come protagonista il detective sherlock holmes la prima pubblicazione del libro risale al 1902

il mastino dei baskerville italian edition by arthur conan doyle - Nov 04 2022

web august 20 2021 book 781 from 1991 books the hound of the baskervilles sherlock holmes 5 sir arthur conan doyle the hound of the baskervilles is the third of the crime novels written by sir arthur conan doyle featuring the detective sherlock holmes dr james mortimer asks sherlock holmes for advice following the death of his friend

[il mastino dei baskerville doyle arthur conan free download](#) - Jul 12 2023

web il mastino dei baskerville by doyle arthur conan publication date 1995 publisher roma newton compton collection inlibrary printdisabled internetarchivebooks contributor internet archive language italian 158 p 20 cm access restricted item true addeddate 2021 05 20 06 01 21 associated names giovannini fabio 1959

[il mastino dei baskerville riassunto e commento studenti it](#) - Aug 13 2023

web apr 28 2023 il mastino dei baskerville raccontato in meno di 60 secondi guarda in questo video il riassunto brevissimo del romanzo di arthur conan doyle impara a conoscere meglio conan doyle i

il mastino dei baskerville libreria universitaria - Jun 30 2022

web pubblicato nel 1902 il mastino dei baskerville è il romanzo più famoso di conan doyle un racconto insuperabile per il senso di mistero e il fascino della suspense che lo pervadono i libri più venduti di arthur conan doyle vedi tutti the hound of the baskervilles con file audio mp3 scaricabili 9 80 london tales step 2

il mastino dei baskerville riassunto e scheda libro studenti it - Sep 14 2023

web may 25 2023 titolo il mastino di baskerville genere del romanzo giallo personaggi sherlock holmes sir henry baskerville watson laura lyons dottor mortimer e stapleton ambientazione

christ s power over satan heaven earth all power copy - Apr 10 2023

web success bordering to the pronouncement as skillfully as perspicacity of this christ s power over satan heaven earth all power can be taken as capably as picked to act the

christ s power over satan heaven earth all power is given to - Nov 05 2022

web job 2 2 7 and the lord said to satan from where do you come satan answered the lord and said from going to and fro on the earth and from walking back and forth on

christ s power over satan heaven earth all power is given to - May 11 2023

web christ s power over satan heaven earth all power power over satan we fight not against flesh and blood experience victory in life by recognizing your enemy and

christ s power over satan heaven earth all power the church - Mar 09 2023

web they who know much of our lord jesus christ should covet to know more and then shall we kn christ s power over satan heaven earth all power is given to jesus christ

christ s power over satan heaven earth all power copy - Jan 07 2023

web satan been given dominion over the earth until jesus christ has all power in heaven and earth what authority do christians have over satan christ s power over satan heaven

power over satan the church of jesus christ of latter day saints - Sep 03 2022

web jul 28 2002 first of all understand the demonic world has not changed it s still around us all the time and christ s power hasn t changed either greater is he that is in you

bible verses about satan s power limited by god church of - Oct 04 2022

web abr 3 28 we must have witnessed that tragic scene when lucifer brilliant capable yet lacking in intelligence to properly apply his knowledge along with one third of the hosts

christ s power over satan heaven earth all power is given to - Oct 24 2021

the fall of satan and the victory of christ desiring god - Jul 13 2023

web apr 10 2014 christ s power over satan heaven earth all power is given to jesus christ in heaven and earth our lord jesus christ power ebook omegbu fidelis i

power over satan youtube - Apr 29 2022

web jul 17 2015 in the night we break the sorrow in the night we come alive in the night adrenaline is higher than heaven in the night with no tomorrow in the night that demons

christ s power over satan heaven earth all power is given to - Jun 12 2023

web apr 10 2014 buy christ s power over satan heaven earth all power is given to jesus christ in heaven and earth our lord jesus christ power read kindle store

has satan been given dominion over the earth until - Aug 14 2023

web that power of satan was dealt not just a significant blow but a fatal blow by christ in his incarnation we re told first of all that god the father gives to jesus all authority in

christ s power over satan heaven earth all power is g - Feb 08 2023

web christ s power over satan heaven earth all power suffering and the sovereignty of god dominion over demons we fight not against flesh and blood what demons can

[christ s power over satan heaven earth all power jerry](#) - Dec 26 2021

web satan blood over intent family heaven on earth 49 no music why satan is left on earth desiring god archangel michael will fight satan during end times what authority do

[satan towers o re all the world song and lyrics by reverend](#) - Jan 27 2022

web those all we have enough money christ s power over satan heaven earth all power and numerous books collections from fictions to scientific research in any way along with

christ s power over satan heaven earth all power is given to - Nov 24 2021

web study has satan been given dominion over the earth until jesus christ s power over satan heaven earth all power is the millennial kingdom understanding god s prophetic

above all powers song and lyrics by artur tsipan spotify - Feb 25 2022

web listen to satan towers o re all the world on spotify reverend song 2015 reverend song 2015 listen to satan towers o re all the world on spotify reverend song

does a believer have authority over satan gotquestions org - May 31 2022

web lds org general conference lang eng elder elray l christiansen delivers a message titled power over satan

powerwolf higher than heaven lyrics genius lyrics - Mar 29 2022

web listen to above all powers on spotify artur tsipan song 2011 artur tsipan song 2011 your library create your first playlist it s easy we ll help you create playlist

christ s power over satan heaven earth all power is given to - Dec 06 2022

web is the extent of satan s power blue letter bible christ s power over satan heaven earth all power is god s victory over satan in the worship of god on earth why is satan left on

christ s absolute power over demons matthew sermon 28 of 151 - Aug 02 2022

web jul 12 2022 answer satan was an angel created by god who turned against god s authority isaiah 14 13 and became the head of a kingdom of evil spirits called demons

[how much power does satan possess gotquestions org](#) - Jul 01 2022

web apr 15 2022 answer the believer s authority over satan and victory over the spiritual forces of evil depend on the power of god the relative power of satan and god s

amazon es mi imaginario - Mar 16 2023

web amazon es mi imaginario saltar al contenido principal es selecciona el departamento que quieras buscar buscar amazon

es

mi gran imaginario kawamura yayo 9788467583472 - Jul 08 2022

web te atreves a convertirte en detective carlos eliza y frank viajan a una excavación arqueológica de unas catacumbas en grecia para investigar el robo de unos objetos antiguos muy valiosos también deberán proteger el legendario collar de la armonía una joya maldita que se oculta en una tumb en stock

mi gran imaginario sm - May 18 2023

web un primer imaginario que contiene más de 200 palabras e ilustraciones estructuradas por temas la casa el jardín el campo animales vehículos y medios de transporte las profesiones y las estaciones para niños a partir de 2 años

download mi gran imaginario libros de cartón de yayo - Dec 13 2022

web mar 24 2021 descripción reseña del editor un primer imaginario que contiene más de 200 palabras e ilustraciones estructuradas por temas la casa el jardín el campo animales vehículos y medios de transporte las profesiones y las estaciones para niños a partir de 2 años descargar libros ebook gratis mi gran imaginario libros mi gran

mi gran imaginario yayo kawamura casa del libro - Nov 12 2022

web el libro infantil mi gran imaginario en casa del libro descubre las mejores ofertas y envíos gratis envío en 1 día gratis a partir de 19 blog estado de tu pedido ayuda comprar con klarna 0 librerías mi cuenta 0 imprescindibles más leídos libros más

mi gran imaginario libros de carton download only ftp bonide - Apr 05 2022

web mi gran imaginario libros de carton 3 3 sombra de su gran amor el pintor diego rivera frida decidió vivir con intensidad tanto las desgracias como las alegrías que le deparó la existencia inspirado en las vivencias de la icónica pintora mexicana este libro ofrece un

mi gran imaginario libros de carton copy - Sep 10 2022

web una sutil variación del poema tanto en la forma que libera al yo lírico clásico como en los temas que revelan el imaginario íntimo de morgante el amor la belleza lo oriental la naturaleza la literatura la mitología la historia las leyendas los textos que componen el gran pez podrían ser considerados en una doble función por

mi gran imaginario libros de cartón kawamura yayo - Jul 20 2023

web mi gran imaginario libros de cartón kawamura yayo kawamura yayo freund urrutia alejandra amazon es libros

libro mi gran imaginario libros de cartón yayo kawamura - Feb 15 2023

web libro mi gran imaginario libros de cartón yayo kawamura isbn 9788467583472 comprar en buscalibre ver opiniones y comentarios compra y venta de libros importados novedades y bestsellers en tu librería online buscalibre chile y buscalibros compra libros sin iva en buscalibre

mi gran imaginario libros de cartón tapa dura iberlibro com - Sep 22 2023

web un primer imaginarioque contiene más de 200 palabras e ilustraciones estructuradas por temas la casa el jardín el campo animales vehículos y medios de transporte las profesiones y las estaciones para niños a partir de 2 años

mi gran imaginario yayo kawamura 9788467583472 - Aug 09 2022

web mar 3 2016 comprar el libro mi gran imaginario de yayo kawamura fundación santa maría ediciones sm 9788467583472 con envío gratis desde 18 en nuestra librería online agapea com ver opiniones resumen sinopsis del libro

mi gran imaginario libros de cartón amazon de - Apr 17 2023

web mi gran imaginario libros de cartón kawamura yayo kawamura yayo freunde urrutia alejandra isbn 9788467583472 kostenloser versand für alle bücher mit versand und verkauf duch amazon

mi gran imaginario libros de cartón libro de cartón amazon es - Oct 23 2023

web mi gran imaginario libros de cartón libro de cartón 22 enero 2016 un primer imaginario que contiene más de 200 palabras e ilustraciones estructuradas por temas la casa el jardín el campo animales vehículos y medios de transporte las profesiones y las estaciones para niños a partir de 2 años

mi gran imaginario grupo sm - Jun 19 2023

web un primer imaginario que contiene más de 200 palabras e ilustraciones estructuradas por temas la casa el jardín el campo animales vehículos y medios de transporte las profesiones y las estaciones para niños a partir de 2

qué es la eucatástrofe y otras palabras acuñadas por j r r - Jun 07 2022

web nov 19 2023 en 2016 se publicó un libro con todos los escritos de tolkien sobre su uno de un pueblo imaginario una pequeña variedad de un raro metal precioso de color plateado de gran dureza y

mi gran imaginario sonoro kiko nicolas archieri casa del libro - Mar 04 2022

web sinopsis de mi gran imaginario sonoro un imaginario con más de 100 sonidos para descubrir el entorno cotidiano de los niños y niñas los animales o los vehículos y explorar todos aquellos lugares que conocen bien con ilustraciones de escenas y tambien objetos en detalle y las palabras para nombrarlos perfecto para aprender a escuchar

mi gran imaginario libros de carton 2023 stage gapinc - May 06 2022

web la maldita manía de quererte obras reunidas mi gran imaginario libros de carton downloaded from stage gapinc com by guest mason hart la novela teatral grijalbo describes a variety of animal cuddles from bear hugs to porcupine hugs but the best is mommy s cuddle mis dos libros salvaheridas pack con los títulos estaba preparado

[mi gran imaginario de kawamura yayo comprar libro](#) - Oct 11 2022

web mi gran imaginario un primer imaginario que contiene más de 200 palabras e ilustraciones estructuradas por temas la casa el jardín el campo animales vehículos y medios de transporte las profesiones y las estaciones este producto no está actualmente disponible avísame cuando esté disponible recibir correo

mi gran imaginario libros de carton angela labarca - Aug 21 2023

web mi gran imaginario libros de carton is available in our digital library an online access to it is set as public so you can get it instantly our book servers saves in multiple locations allowing you to get the most less latency time to download any of our books like this one

libro mi gran imaginario libros de cartón yayo kawamura - Jan 14 2023

web libro mi gran imaginario libros de cartón yayo kawamura isbn 9788467583472 comprar en buscalibre ver opiniones y comentarios compra y venta de libros importados novedades y bestsellers en tu librería online buscalibre colombia y