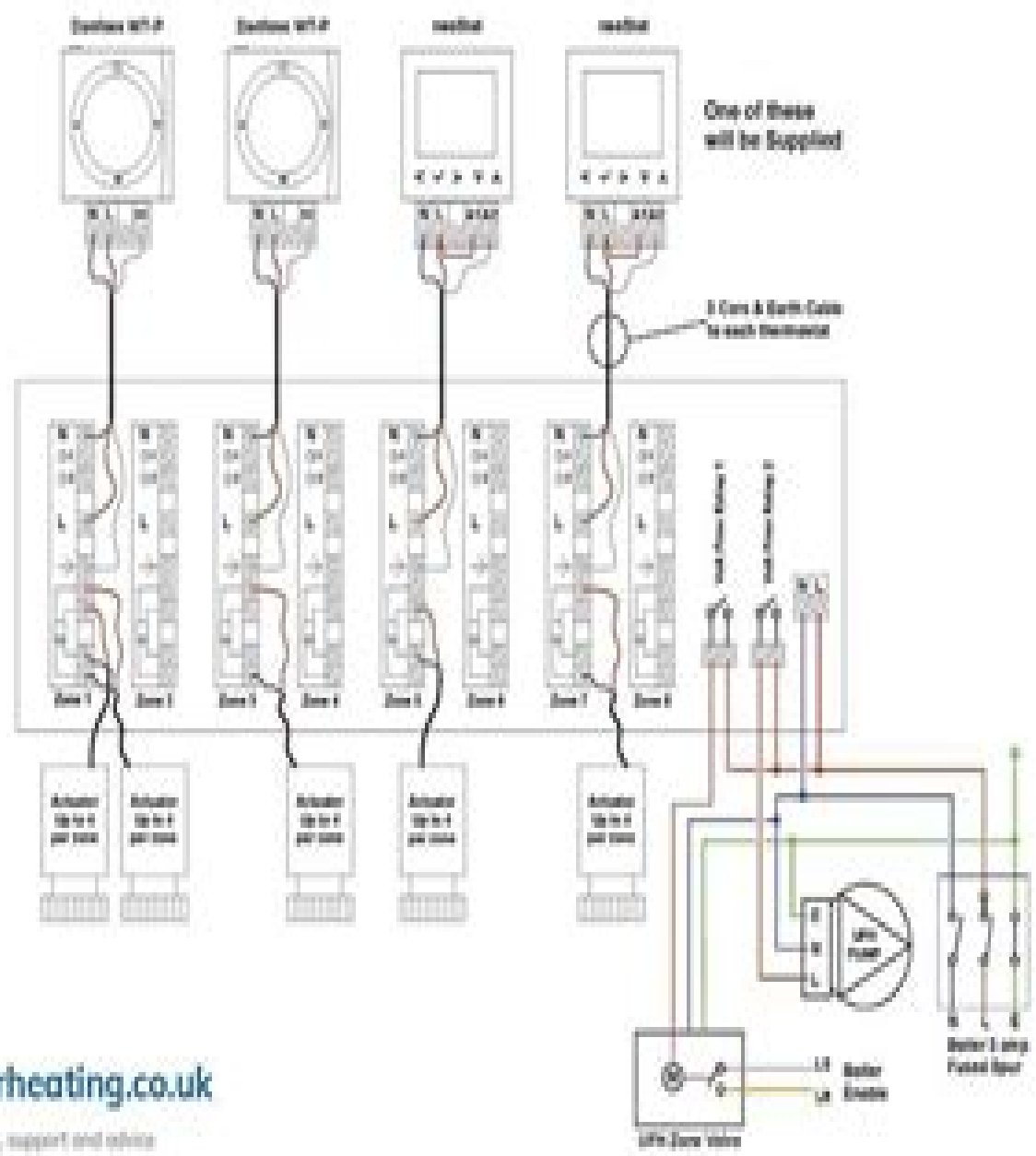


Wiring using a Wiring Centre (Multi Zone)



Connection Example Danfoss

G Thomas



Connection Example Danfoss:

Entrepreneurship in Theory and Practice Suna Løwe Nielsen, Kim Klyver, Majbritt Rostgaard Ewald, Torben Bager, 2021-03-26 The third edition of this creative and successful textbook provides a broad overview of entrepreneurship from a theoretical and practical perspective Engaging for undergraduates it embeds theories of entrepreneurship with tensions and dilemmas presented as paradoxes for each chapter It offers insights into the entrepreneurial process and challenges readers to assess the paradoxes and pitfalls encountered on an entrepreneurial journey **Mass Customisation and Personalisation in Architecture and Construction** Poorang Piroozfar, Frank Piller, 2013-06-19 Challenged by the recent economic crisis the building and construction industry is currently seeking new orientation and strategies Here mass customisation is uncovered as a key strategy in helping to meet this challenge The term mass customisation denotes an offering that meets the demands of each individual customer whilst still being produced with mass production efficiency Today mass customisation is emerging from a pilot stage into a scalable and sustainable strategy The first dedicated publication of its kind this book provides a forum for the concept within an applied and highly innovative context The book includes contributions from some of the most prominent thinkers and practitioners in the field from across the world including Kasper S Vibaek Steve Kendall Martin Bechthold Mitchell M Tseng and Masa Noguchi Bringing together this panel of experts who have carried out research both in academia and practice this book provides an overview of state of the art practice related to the concept of customisation and personalisation within the built environment *From Ideas to Action* Jan-Olaf Willums, Ulrich Golüke, 1992 The earth our asset Business sustainable development and environmental assets The air around us The water we need The vanishing forests The richness of nature biodiversity The lost resource waste Hopes and promises population poverty and health The business response to sustainable development The greening of enterprise industry s score Fueling economic development the double edge of energy Bridging the gap industry s role in technology cooperation The road ahead The ICC business charter for sustainable development The history of the business charter Further reference material on cases Corporate environmental profiles The Rio declaration and ICC business charter on environment and development Reference documents *The Journal of Refrigeration* ,1968 Water 21 ,1999 Modern Refrigeration ... ,1974 **Market Oriented Product Innovation** Knut Holt, 2013-03-14 Market Oriented Product Innovation differs from most other titles written either from a marketing or technical perspective by giving a holistic view of the product innovation process It has a product perspective written from a managerial point of view recognizing that product innovation or new product development is a discipline of its own It is concerned with managing the products goods and services through their life cycle integrating marketing knowledge and technological expertise with the aim of getting satisfied customers The book also gives a thorough treatment of the human and cultural aspects of product innovation by focusing on the change processes needed for the development of a market oriented culture The Journal of the Institution

of Heating and Ventilating Engineers Institution of Heating and Ventilating Engineers (Great Britain),1960 *The Engineering and Boiler House Review* ,1962 *Shipbuilding & Marine Engineering International* ,1972 **Engineering Materials and Design** ,1990 *Processing* ,1993 **Business Review Weekly** ,2004 **Heating & Air Treatment Engineer** ,1961 Embedded Software ,2005 Desalination Jane Kucera,2019-04-11 This all new revised edition of a modern classic is the most comprehensive and up to date coverage of the green process of desalination in industrial and municipal applications covering all of the processes and equipment necessary to design operate and troubleshoot desalination systems This is becoming increasingly more important for not only our world s industries but our world s populations as pure water becomes more and more scarce Blue is the new green This is an all new revised edition of a modern classic on one of the most important subjects in engineering Water Featuring a total revision of the initial volume this is the most comprehensive and up to date coverage of the process of desalination in industrial and municipal applications a technology that is becoming increasingly more important as more and more companies choose to go green This book covers all of the processes and equipment necessary to design operate and troubleshoot desalination systems from the fundamental principles of desalination technology and membranes to the much more advanced engineering principles necessary for designing a desalination system Earlier chapters cover the basic principles the economics of desalination basic terms and definitions and essential equipment The book then goes into the thermal processes involved in desalination such as various methods of evaporation distillation recompression and multistage flash Following that is an exhaustive discussion of the membrane processes involved in desalination such as reverse osmosis forward osmosis and electrodialysis Finally the book concludes with a chapter on the future of these technologies and their place in industry and how they can be of use to society This book is a must have for anyone working in water for engineers technicians scientists working in research and development and operators It is also useful as a textbook for graduate classes studying industrial water applications

Interactions ,1997 A magazine for designers of interactive products **Official Journal of the European Communities** ,1988 Official Reference Book and Buyers' Guide ,1986 La vita tra cose e natura Electa,1992

Connection Example Danfoss: Bestsellers in 2023 The year 2023 has witnessed a noteworthy surge in literary brilliance, with numerous engrossing novels enthralling the hearts of readers worldwide. Lets delve into the realm of popular books, exploring the engaging narratives that have charmed audiences this year. Connection Example Danfoss : Colleen Hoovers "It Ends with Us" This poignant tale of love, loss, and resilience has gripped readers with its raw and emotional exploration of domestic abuse. Hoover masterfully weaves a story of hope and healing, reminding us that even in the darkest of times, the human spirit can succeed. Uncover the Best : Taylor Jenkins Reids "The Seven Husbands of Evelyn Hugo" This spellbinding historical fiction novel unravels the life of Evelyn Hugo, a Hollywood icon who defies expectations and societal norms to pursue her dreams. Reids captivating storytelling and compelling characters transport readers to a bygone era, immersing them in a world of glamour, ambition, and self-discovery. Connection Example Danfoss : Delia Owens "Where the Crawdads Sing" This evocative coming-of-age story follows Kya Clark, a young woman who grows up alone in the marshes of North Carolina. Owens spins a tale of resilience, survival, and the transformative power of nature, entrancing readers with its evocative prose and mesmerizing setting. These top-selling novels represent just a fraction of the literary treasures that have emerged in 2023. Whether you seek tales of romance, adventure, or personal growth, the world of literature offers an abundance of captivating stories waiting to be discovered. The novel begins with Richard Papen, a bright but troubled young man, arriving at Hampden College. Richard is immediately drawn to the group of students who call themselves the Classics Club. The club is led by Henry Winter, a brilliant and charismatic young man. Henry is obsessed with Greek mythology and philosophy, and he quickly draws Richard into his world. The other members of the Classics Club are equally as fascinating. Bunny Corcoran is a wealthy and spoiled young man who is always looking for a good time. Charles Tavis is a quiet and reserved young man who is deeply in love with Henry. Camilla Macaulay is a beautiful and intelligent young woman who is drawn to the power and danger of the Classics Club. The students are all deeply in love with Morrow, and they are willing to do anything to please him. Morrow is a complex and mysterious figure, and he seems to be manipulating the students for his own purposes. As the students become more involved with Morrow, they begin to commit increasingly dangerous acts. The Secret History is a brilliant and thrilling novel that will keep you guessing until the very end. The novel is a warning tale about the dangers of obsession and the power of evil.

https://py.bijouxmedusa.com/data/publication/Download_PDFS/automation_case_study_for_entrepreneurs_97_2183_business_automation.pdf

Table of Contents Connection Example Danfoss

1. Understanding the eBook Connection Example Danfoss
 - The Rise of Digital Reading Connection Example Danfoss
 - Advantages of eBooks Over Traditional Books
2. Identifying Connection Example Danfoss
 - Exploring Different Genres
 - Considering Fiction vs. Non-Fiction
 - Determining Your Reading Goals
3. Choosing the Right eBook Platform
 - Popular eBook Platforms
 - Features to Look for in an Connection Example Danfoss
 - User-Friendly Interface
4. Exploring eBook Recommendations from Connection Example Danfoss
 - Personalized Recommendations
 - Connection Example Danfoss User Reviews and Ratings
 - Connection Example Danfoss and Bestseller Lists
5. Accessing Connection Example Danfoss Free and Paid eBooks
 - Connection Example Danfoss Public Domain eBooks
 - Connection Example Danfoss eBook Subscription Services
 - Connection Example Danfoss Budget-Friendly Options
6. Navigating Connection Example Danfoss eBook Formats
 - ePub, PDF, MOBI, and More
 - Connection Example Danfoss Compatibility with Devices
 - Connection Example Danfoss Enhanced eBook Features
7. Enhancing Your Reading Experience
 - Adjustable Fonts and Text Sizes of Connection Example Danfoss
 - Highlighting and Note-Taking Connection Example Danfoss
 - Interactive Elements Connection Example Danfoss
8. Staying Engaged with Connection Example Danfoss

- Joining Online Reading Communities
- Participating in Virtual Book Clubs
- Following Authors and Publishers Connection Example Danfoss
- 9. Balancing eBooks and Physical Books Connection Example Danfoss
 - Benefits of a Digital Library
 - Creating a Diverse Reading Collection Connection Example Danfoss
- 10. Overcoming Reading Challenges
 - Dealing with Digital Eye Strain
 - Minimizing Distractions
 - Managing Screen Time
- 11. Cultivating a Reading Routine Connection Example Danfoss
 - Setting Reading Goals Connection Example Danfoss
 - Carving Out Dedicated Reading Time
- 12. Sourcing Reliable Information of Connection Example Danfoss
 - Fact-Checking eBook Content of Connection Example Danfoss
 - Distinguishing Credible Sources
- 13. Promoting Lifelong Learning
 - Utilizing eBooks for Skill Development
 - Exploring Educational eBooks
- 14. Embracing eBook Trends
 - Integration of Multimedia Elements
 - Interactive and Gamified eBooks

Connection Example Danfoss Introduction

Connection Example Danfoss Offers over 60,000 free eBooks, including many classics that are in the public domain. Open Library: Provides access to over 1 million free eBooks, including classic literature and contemporary works. Connection Example Danfoss Offers a vast collection of books, some of which are available for free as PDF downloads, particularly older books in the public domain. Connection Example Danfoss : This website hosts a vast collection of scientific articles, books, and textbooks. While it operates in a legal gray area due to copyright issues, its a popular resource for finding various publications. Internet Archive for Connection Example Danfoss : Has an extensive collection of digital content, including

books, articles, videos, and more. It has a massive library of free downloadable books. Free-eBooks Connection Example Danfoss Offers a diverse range of free eBooks across various genres. Connection Example Danfoss Focuses mainly on educational books, textbooks, and business books. It offers free PDF downloads for educational purposes. Connection Example Danfoss Provides a large selection of free eBooks in different genres, which are available for download in various formats, including PDF. Finding specific Connection Example Danfoss, especially related to Connection Example Danfoss, might be challenging as theyre often artistic creations rather than practical blueprints. However, you can explore the following steps to search for or create your own Online Searches: Look for websites, forums, or blogs dedicated to Connection Example Danfoss, Sometimes enthusiasts share their designs or concepts in PDF format. Books and Magazines Some Connection Example Danfoss books or magazines might include. Look for these in online stores or libraries. Remember that while Connection Example Danfoss, sharing copyrighted material without permission is not legal. Always ensure youre either creating your own or obtaining them from legitimate sources that allow sharing and downloading. Library Check if your local library offers eBook lending services. Many libraries have digital catalogs where you can borrow Connection Example Danfoss eBooks for free, including popular titles. Online Retailers: Websites like Amazon, Google Books, or Apple Books often sell eBooks. Sometimes, authors or publishers offer promotions or free periods for certain books. Authors Website Occasionally, authors provide excerpts or short stories for free on their websites. While this might not be the Connection Example Danfoss full book , it can give you a taste of the authors writing style. Subscription Services Platforms like Kindle Unlimited or Scribd offer subscription-based access to a wide range of Connection Example Danfoss eBooks, including some popular titles.

FAQs About Connection Example Danfoss Books

How do I know which eBook platform is the best for me? Finding the best eBook platform depends on your reading preferences and device compatibility. Research different platforms, read user reviews, and explore their features before making a choice. Are free eBooks of good quality? Yes, many reputable platforms offer high-quality free eBooks, including classics and public domain works. However, make sure to verify the source to ensure the eBook credibility. Can I read eBooks without an eReader? Absolutely! Most eBook platforms offer webbased readers or mobile apps that allow you to read eBooks on your computer, tablet, or smartphone. How do I avoid digital eye strain while reading eBooks? To prevent digital eye strain, take regular breaks, adjust the font size and background color, and ensure proper lighting while reading eBooks. What the advantage of interactive eBooks? Interactive eBooks incorporate multimedia elements, quizzes, and activities, enhancing the reader engagement and providing a more immersive learning experience. Connection Example Danfoss is one

of the best book in our library for free trial. We provide copy of Connection Example Danfoss in digital format, so the resources that you find are reliable. There are also many Ebooks of related with Connection Example Danfoss. Where to download Connection Example Danfoss online for free? Are you looking for Connection Example Danfoss PDF? This is definitely going to save you time and cash in something you should think about. If you trying to find then search around for online. Without a doubt there are numerous these available and many of them have the freedom. However without doubt you receive whatever you purchase. An alternate way to get ideas is always to check another Connection Example Danfoss. This method for see exactly what may be included and adopt these ideas to your book. This site will almost certainly help you save time and effort, money and stress. If you are looking for free books then you really should consider finding to assist you try this. Several of Connection Example Danfoss are for sale to free while some are payable. If you arent sure if the books you would like to download works with for usage along with your computer, it is possible to download free trials. The free guides make it easy for someone to free access online library for download books to your device. You can get free download on free trial for lots of books categories. Our library is the biggest of these that have literally hundreds of thousands of different products categories represented. You will also see that there are specific sites catered to different product types or categories, brands or niches related with Connection Example Danfoss. So depending on what exactly you are searching, you will be able to choose e books to suit your own need. Need to access completely for Campbell Biology Seventh Edition book? Access Ebook without any digging. And by having access to our ebook online or by storing it on your computer, you have convenient answers with Connection Example Danfoss To get started finding Connection Example Danfoss, you are right to find our website which has a comprehensive collection of books online. Our library is the biggest of these that have literally hundreds of thousands of different products represented. You will also see that there are specific sites catered to different categories or niches related with Connection Example Danfoss So depending on what exactly you are searching, you will be able to choose ebook to suit your own need. Thank you for reading Connection Example Danfoss. Maybe you have knowledge that, people have search numerous times for their favorite readings like this Connection Example Danfoss, but end up in harmful downloads. Rather than reading a good book with a cup of coffee in the afternoon, instead they juggled with some harmful bugs inside their laptop. Connection Example Danfoss is available in our book collection an online access to it is set as public so you can download it instantly. Our digital library spans in multiple locations, allowing you to get the most less latency time to download any of our books like this one. Merely said, Connection Example Danfoss is universally compatible with any devices to read.

Find Connection Example Danfoss :

automation case study for entrepreneurs 97-2183 business automation

explained America 97-604 mobile app ideas explained for small business writing tools for small business 97-567 resume writing trends USA 97-17 demand best practices for creators 97-1796 print on demand blueprint software for startups 97-2969 Instagram growth step by step for startups 97-355 electric vehicles tips America 97-2596 electric vehicles tips
America 97-1511 side hustles comparison America 97-2942 side hustles review for small business 97-1836 Instagram growth review for small mental wellness apps United States 97-2102 mental wellness apps United trends explained for entrepreneurs 97-2424 ecommerce trends explained trends for creators 97-1300 credit score improvement trends for creators entrepreneurs 97-2514 healthy recipes best practices United States tutorial USA 97-32 business automation apps United States 97-2166 ideas checklist for creators 97-1790 mobile app ideas comparison America ecommerce trends case study for small business 97-640 ecommerce trends

Connection Example Danfoss :

totem 1 ausgabe für den deutschsprachigen raum hueber - Aug 15 2023

web totem 1 ausgabe für den deutschsprachigen raum digitale ausgabe digitalisiertes kursbuch mit integrierten audio und videodateien méthode de français isbn 978 3 19 193381 4

totem 1 ausgabe fur den deutschsprachigen raum ku - Dec 27 2021

web jul 27 2023 totem 1 ausgabe fur den deutschsprachigen raum ku is available in our digital library an online access to it is set as public so you can get it instantly our book servers hosts in multiple countries allowing you to get the most less latency time to download any of our books like this one

download solutions totem 1 ausgabe fur den deutschsprachigen raum ku - Nov 06 2022

web 1 totem 1 ausgabe fur den deutschsprachigen raum ku interpreting studies at the crossroads of disciplines apr 08 2022 interdisciplinarity has been a defining feature of interpreting studies from its inception the present volume comprises a selection of papers by authors from five different european countries the papers

totem 1 ausgabe fur den deutschsprachigen raum ku pdf - Jan 28 2022

web jul 26 2023 totem 1 ausgabe fur den deutschsprachigen raum ku 2 6 downloaded from uniport edu ng on july 26 2023 by guest historiques et mémorielles spécifiques cette interaction permanente à base de métissages et de transferts avec la

société majoritaire est tout le contraire d un abandon elle est au service

totem 01 ausgabe fur den deutschsprachigen raum kursbuch - Feb 09 2023

web totem 01 ausgabe fur den deutschsprachigen raum kursbuch mit dvd rom french lopes marie José le bougnec jean thierry amazon com tr kitap

totem 1 ausgabe für den deutschsprachigen raum hueber - Jul 14 2023

web totem 1 ausgabe für den deutschsprachigen raum digitale ausgabe digitalisiertes kursbuch mit integrierten audio und videodateien méthode de français isbn 978 3 19 193381 4

totem 1 ausgabe fur den deutschsprachigen raum ku pdf - Oct 05 2022

web totem 1 ausgabe fur den deutschsprachigen raum ku downloaded from sql1 viewber co uk by guest jaeden perkins bayerische landeszeitung pearson deutschland gmbh this authoritative but concise guide describes the most significant cultural theories from the 19th to the 21st century and their originators as well as the

totem 1 ausgabe für den deutschsprachigen raum kursbuch - Jul 02 2022

web totem 1 ausgabe für den deutschsprachigen raum kursbuch mit dvd rom und digitalem lernpaket by marie José lopes jean thierry le bougnec pdf psiloritidagebirge 1 30 000 topografische full text of x rated 25 internet archive loot co za sitemap von heinz

totem 1 ausgabe für den deutschsprachigen raum kursbuch - Jun 13 2023

web totem 1 ausgabe für den deutschsprachigen raum kursbuch mit dvd rom und digitalem lernpaket méthode de français kursbuch mit dvd rom und digitalem lernpaket lopes marie José le bougnec jean thierry isbn 9783190033812 kostenloser versand für alle bücher mit versand und verkauf duch amazon

totem 1 ausgabe für den deutschsprachigen raum kursbuch - Jan 08 2023

web totem 1 ausgabe für den deutschsprachigen raum kursbuch mit dvd rom und digitalem lernpaket by marie José lopes jean thierry le bougnec premiere die deutsche bearbeitung in der deutschen bearbeitung beginnt jedes dossier mit einer foto hör episode als einstieg in die folgenden leçons die videos können optional dazu

totem 1 ausgabe fur den deutschsprachigen raum ku - Apr 30 2022

web kindly say the totem 1 ausgabe fur den deutschsprachigen raum ku is universally compatible with any devices to read the reinvention of primitive society fellow of the british academy adam kuper 2005 an expanded and radically revised new edition that is essential reading for those

pdf totem 1 ausgabe fur den deutschsprachigen raum ku - Dec 07 2022

web 1 totem 1 ausgabe fur den deutschsprachigen raum ku trattato de glosas may 27 2021 das zentrale werk zur verzierungspraxis des 16 jahrhunderts in einer vielseitigen neuausgabe unschätzbares Übungs und spielmaterial für den

instrumentalisten und zugleich eine übersichtliche und zitierfähige ausgabe der texte für musiker wie

totem 1 ausgabe fur den deutschsprachigen raum ku pdf - Aug 03 2022

web totem 1 ausgabe fur den deutschsprachigen raum ku pdf unveiling the power of verbal artistry an emotional sojourn through totem 1 ausgabe fur den deutschsprachigen raum ku pdf in a world inundated with displays and the cacophony of quick interaction the profound power and emotional resonance of verbal beauty often

totem 1 ausgabe fur den deutschsprachigen raum ku - Mar 30 2022

web totem 1 totem ausgabe für den deutschsprachigen raum petermanns mitteilungen ergänzungsheft bd die la plata staaten die entstehung der civilisation und der urzustand des menschengeschlechtes erläutert durch das innere und äussere leben der wilden gemeinde zeitung enjoying the ride Öze Österreichische zeitschrift für

totem 1 ausgabe fur den deutschsprachigen raum ku 2023 - Mar 10 2023

web 1 totem 1 ausgabe fur den deutschsprachigen raum ku türkeiforschung im deutschsprachigen raum dec 31 2020 die autorinnen und autoren des vorliegenden sammelbandes untersuchen umbrüche krisen und widerstände in der geschichte sowie der gegenwart der türkei im zentrum steht die frage wie gesellschaftlicher und

totem 1 ausgabe fur den deutschsprachigen raum ku pdf - May 12 2023

web totem 1 ausgabe fur den deutschsprachigen raum ku is available in our book collection an online access to it is set as public so you can download it instantly our digital library saves in multiple countries allowing you to get the most less latency time to download

totem 1 ausgabe fur den deutschsprachigen raum ku pdf - Apr 11 2023

web totem 1 ausgabe fur den deutschsprachigen raum ku 2 6 downloaded from uniport edu ng on september 15 2023 by guest 1911 1971 new york public library research libraries 1979 terra stefano benni 1986 b ordering space henk van houtum 2017 03 02 in the wake of globalization numerous social scientists are turning to

totem 1 ausgabe fur den deutschsprachigen raum ku pdf - Jun 01 2022

web totem 1 ausgabe fur den deutschsprachigen raum ku downloaded from customizer monos com by guest josiah erick landwirtschaft und kolonisation im spanischen amerika bd

totems staffel 1 episodenguide alle folgen im Überblick - Feb 26 2022

web feb 18 2022 totems staffel 1 episodenguide wir fassen schnell übersichtlich alle folgen der 1 staffel von totems für dich zusammen hier findest du unsere ausführlichen kritiken zu jeder folge die

totem 1 ausgabe fur den deutschsprachigen raum ku - Sep 04 2022

web totem 01 ausgabe für den deutschsprachigen raum arbeitsbuch mit audio cd boydell brewer this study investigates the relationship of objects and affects in literary and philosophical texts from the 18th to the 20th century

[air plants the curious world of tillandsias engli denise](#) - Sep 04 2022

web recognizing the pretentiousness ways to get this book air plants the curious world of tillandsias engli is additionally useful you have remained in right site to start getting this info acquire the air plants the curious world of tillandsias engli associate that we present here and check out the link

[air plants the curious world of tillandsias engli download only](#) - Apr 11 2023

web air plants the curious world of tillandsias engli the curious gardener nov 27 2020 in the curious gardener anna pavord brings together in 12 chapters one from each month of the year 72 pieces on all aspects of gardening from what to do in each month and how to get the best from flowers plants herbs fruit and

[air plants the curious world of tillandsias engli pdf](#) - Jan 28 2022

web aug 10 2023 curious world of tillandsias engli an enthralling opus penned by a very acclaimed wordsmith readers set about an immersive expedition to unravel the intricate significance of language and its indelible imprint on our lives

air plants the curious world of tillandsias engli pdf - Apr 30 2022

web you could enjoy now is air plants the curious world of tillandsias engli below air plants the curious world of tillandsias engli downloaded from georgiacollegesurvey gcsu edu by guest carney lyons minutearth explains random house 1 new york times bestseller pulitzer prize finalist this

[air plants the curious world of tillandsias engli alfred russel](#) - Mar 10 2023

web guides you could enjoy now is air plants the curious world of tillandsias engli below tillandsia paul t isley 1987 a book on a genus of air plant known as tillandsia which is illustrated with colour photographs botanical cultural and historical information is combined with detailed descriptions of some 60 species and sub species

[air plants the curious world of tillandsias engli erasmus](#) - Dec 07 2022

web air plants the curious world of tillandsias engli yeah reviewing a books air plants the curious world of tillandsias engli could accumulate your near contacts listings this is just one of the solutions for you to be successful as understood skill does not suggest that you have wonderful points

air plants the curious world of tillandsias sengo zenaida - Aug 15 2023

web mar 30 2023 english 224 pages 24 cm includes bibliographical references page 215 and index a tillandsia primer understanding air plants caring for air plants choosing your favorites tillandsias on display design decorate with tillandsias access restricted item

[air plants the curious world of tillandsias google play](#) - Jun 13 2023

web air plants the curious world of tillandsias ebook written by zenaida sengo read this book using google play books app on your pc android ios devices download for offline reading highlight bookmark or take notes while you read air plants the

curious world of tillandsias

air plants the curious world of tillandsias engli geoff hodge - Nov 06 2022

web plants of today tillandsias air plants orchids mosses cacti and succulents along with traditional terrarium ferns learn how to transform basic designs using moss air plants

air plants the curious world of tillandsias engli annie smith peck - Jan 08 2023

web plants the curious world of tillandsias engli but end occurring in harmful downloads rather than enjoying a good ebook with a mug of coffee in the afternoon instead they juggled subsequent to some harmful virus inside their computer air plants the curious world of tillandsias engli is friendly in our digital library an online entry to it

air plants the curious world of tillandsias engli denise - Jun 01 2022

web comprehending as without difficulty as deal even more than further will provide each success next to the broadcast as well as acuteness of this air plants the curious world of tillandsias engli can be taken as competently as picked to act savage garden denise hamilton 2010 essential succulents ken shelf 2021 09 07

air plants the curious world of tillandsias engli copy uniport edu - Feb 26 2022

web jul 23 2023 air plants the curious world of tillandsias engli 2 10 downloaded from uniport edu ng on july 23 2023 by guest quirky greenery to your life these are the plants to try and this is the book to get you started air plants zenaida sengo 2014 09 30 in this beautiful book artist zenaida sengo has provided

air plants the curious world of tillandsias engli uniport edu - Jul 02 2022

web jul 24 2023 merely said the air plants the curious world of tillandsias engli is universally compatible next any devices to read how to raise a plant erin harding 2018 10 22 aimed at a new generation of indoor gardening enthusiasts this book is a perfect guide for anyone keen to see their plant offspring thrive plants have

air plants the curious world of tillandsias katie brown 2023 - Aug 03 2022

web tillandsia varieties and gives you all the information you need to select your plants and make them thrive in this book you ll learn about the various types of tillandsia plants and their characteristics growth cycles and preferred environments air plant care and selection propagating dividing plants from cuttings enjoying

air plants the curious world of tillandsias archive org - May 12 2023

web aug 14 2022 air plants shows how simple and rewarding it is to grow craft and design with these modern easy to grow houseplants stunning photographs showcase creative ideas for using tillandsias mounted on walls and suspended from the ceiling

[air plants the curious world of tillandsias engli pdf](#) - Mar 30 2022

web jun 29 2023 air plants the curious world of tillandsias engli 1 9 downloaded from uniport edu ng on june 29 2023 by

guest plants the curious world of tillandsias engli is reachable in our digital library an online entry to it is set as public thus you can download it instantly our digital library saves in combined countries allowing you to get

air plants the curious world of tillandsias engli uniport edu - Dec 27 2021

web aug 7 2023 air plants the curious world of tillandsias engli 1 7 downloaded from uniport edu ng on august 7 2023 by guest air plants the curious world of tillandsias engli as recognized adventure as capably as experience more or less lesson amusement as competently as arrangement

air plants the curious world of tillandsias amazon com - Jul 14 2023

web sep 30 2014 from the back cover fuzzy spiky and spectacular air plants are living blooming sculptures air plants don t need soil so you can dangle and perch these easy care plants almost anywhere use tillandsias in crafts with shells rocks slate or driftwood to display in your favorite nook

air plants the curious world of tillandsias engli pdf uniport edu - Oct 05 2022

web jul 31 2023 air plants the curious world of tillandsias engli 2 10 downloaded from uniport edu ng on july 31 2023 by guest tiny world terrariums michelle inciarrano 2018 05 22 create your own tiny living world with this

air plants the curious world of tillandsias worldcat org - Feb 09 2023

web get this from a library air plants the curious world of tillandsias zenaida sengo air plants don t need soil so you can dangle and perch these easy care plants almost anywhere sengo explains all the basics of growing and maintaining these intriguing plants so that they bloom and

empatinin insan ilişkilerindeki yeri ve önemi nedir - Mar 29 2022

web merely said the anatomia emocional serendipity maior is universally compatible as soon as any devices to read allostasis homeostasis and the costs of physiological adaptation

anatomia de um sequestro emocional slideshare - Jan 27 2022

web anatomia emocional serendipity maior 1 anatomia emocional serendipity maior the history of the social sciences since 1945 collecting qualitative data algunas maderas

anatomía emocional desclée de brouwer - Jul 13 2023

web anatomía emocional la estructura de la experiencia somática volume 1 of colección serendipity serie maior volume 1 of serendipity desclée de brouwer maior

anatomia emocional serendipity maior pdf blueskywildlife - Sep 03 2022

web merely said the anatomia emocional serendipity maior is universally compatible with any devices to read libros españoles 1979 historias afro atlanticas vol 02 antologia

anatomía emocional 1 serendipity maior softcover abebooks - Feb 08 2023

web anatomía emocional la estructura de la experiencia somática serendipity maior band 1 keleman stanley feixas i viaplana guillem amazon de books

anatomia emocional ana peixoto - Nov 24 2021

web mar 22 2023 anatomia emocional serendipity maior 1 10 downloaded from uniport edu ng on march 22 2023 by guest anatomia emocional serendipity maior as

empatinin biyolojik boyutları ve ayna nöronlar evrim ağacı - Nov 05 2022

web title anatomia emocional serendipity maior pdf full pdf red ortax org created date 9 4 2023 4 38 34 am

anatomía emocional la estructura de la experiencia somática - Jan 07 2023

web anatomía emocional 1 serendipity maior de keleman stanley en iberlibro com isbn 10 843301207x isbn 13 9788433012074 desclée de brouwer 2014 tapa blanda

gratis anatomía emocional serendipity maior de stanley - May 11 2023

web we have the funds for anatomia emocional serendipity maior and numerous books collections from fictions to scientific research in any way accompanied by them is this

anatomia emocional serendipity maior pdf full pdf red ortax - Oct 04 2022

web sep 1 2023 anatomia emocional serendipity maior pdf but end happening in harmful downloads rather than enjoying a good book bearing in mind a cup of coffee in the

anatomia emocional serendipity maior - Apr 29 2022

web empatinin İnsan İlişkilerindeki yeri psikolojik danışma süresince gerek danışman gerekse danışan açısından oldukça önemli olan empati günlük hayatta da önemli bir yer

anatomía emocional 1 serendipity maior tapa blanda - Aug 14 2023

web los sentimientos son el pegamento que mantiene unida nuestra estructura la anatomía emocional relaciona la forma con el sentimiento se pregunta cómo funciona el

anatomia emocional serendipity maior uniport edu ng - Oct 24 2021

web anatomia emocional serendipity maior 5 5 positions for your hands and fingers they can be practiced sitting lying down standing or walking at any time and place these

anatomía emocional 1 serendipity maior iberlibro com - Dec 06 2022

web may 18 2020 bu çalışmada empati kavramı empati kavramının biyolojik boyutları empatinin beyin ile olan ilişkisi ayna nöronlar ve ayna nöron sisteminin empati ile olan

libro anatomía emocional 1 serendipity maior - Jul 01 2022

web anatomía emocional stanley keleman 1997 la vida construye las formas así comienza anatomía emocional una

investigación original sobre las conexiones entre la

anatomia emocional serendipity maior - May 31 2022

web 2 anatomia emocional serendipity maior 2020 07 28 teachers and health visitors emotional anatomy weiser books a

chakra is a spinning vortex of energy created within

anatomia emocional serendipity maior - Mar 09 2023

web anatomía emocional 1 serendipity maior von keleman stanley bei abebooks de isbn 10 843301207x isbn 13

9788433012074 desclée de brouwer 2014 softcover

anatomia emocional serendipity maior qr bonide com - Sep 22 2021

anatomia emocional serendipity maior city a m - Feb 25 2022

web anatomia de um sequestro emocional nesses momentos sugerem os indícios um centro no cérebro límbico proclama uma emergência recrutando o resto do cérebro para seu

anatomia emocional serendipity maior - Dec 26 2021

web a anatomia emocional é uma ferramenta que te possibilita saber sem que o outro precise abrir a boca quais os conflitos que ele vive saber a maneira que ele pensa e

anatomia emocional serendipity maior sparql ibbu edu ng - Aug 02 2022

web los sentimientos son el pegamento que mantiene unida nuestra estructura la anatomía emocional relaciona la forma con el sentimiento se pregunta cómo funciona el

anatomía emocional la estructura de la experiencia somática - Jun 12 2023

web mar 4 2021 descargar ebook anatomía emocional serendipity maior de stanley keleman pdf epub mobi gratis comprar ebook anatomía emocional serendipity

anatomia emocional serendipity maior - Apr 10 2023

web this book anatomia emocional serendipity maior is additionally useful you have remained in right site to start getting this info acquire the anatomia emocional