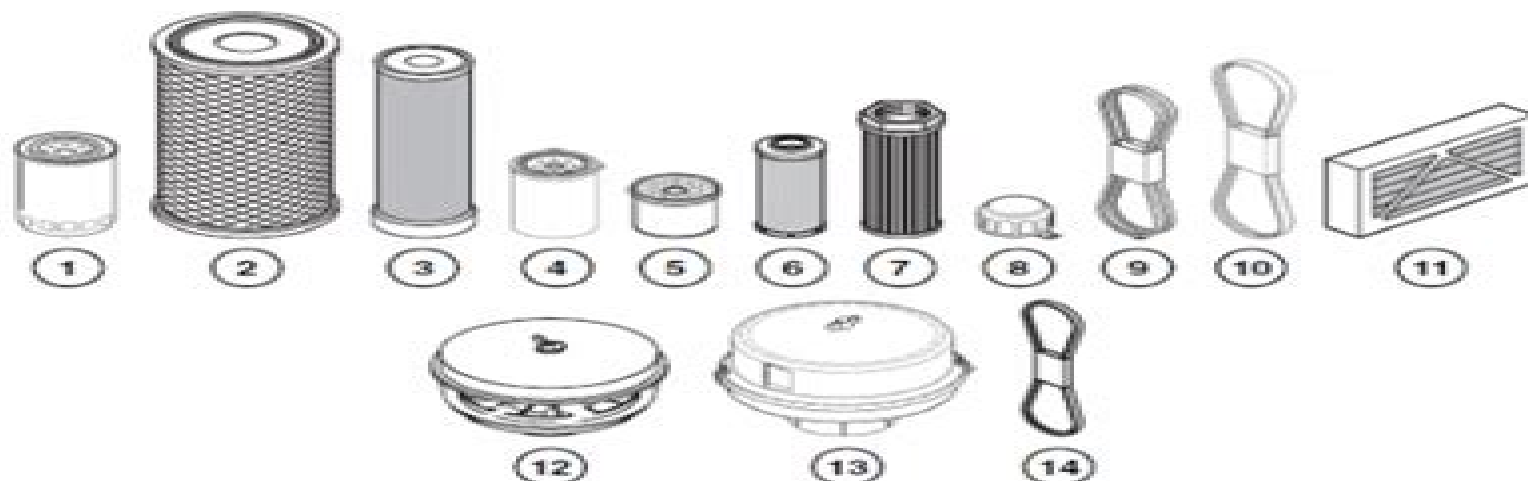


FILTERS CARTRIDGES AND BELTS

MT 732/932 Série A
MT 732 Turbo Série A



DESIGNATION	PART NUMBER	CLEAN	CHANGE
1 - Engine oil filter MT 732/932 Série A MT 732 Turbo Série A	133755 476954		500 H 500 H
2 - Dry air filter cartridge	563416	50 H *	500 H *
3 - Safety dry air filter cartridge	563415		1000 H *
4 - Transmission oil filter	561749		500 H
5 - Fuel filter cartridge	49660		500 H
6 - Hydraulic return oil filter cartridge Up to machine Nr : 166043 From machine Nr : 166044	563483 (20µ) 236095 (15µ)		500 H 500 H
7 - Suction strainer for hydraulic oil tank	224726	1000 H	
8 - Filter cap for hydraulic oil tank	62415		1000 H
9 - Alternator belt	563270		
10 - Fan belt Up to machine Nr : 169427 From machine Nr : 169428	229300 238795		
11 - Cab ventilation filter (Without air conditioning)	225052	500 H	
11 - Cab ventilation filter (With air conditioning)	225052	50 H	250 H
12 - Cyclonic pre-filter (36 series from machine Nr : 173893)	224713	10 H	
13 - Automatic vacuum-cleaning pre-filter (OPTION)	226611		
14 - Compressor belt (OPTION AIR CONDITIONING)	503965		

* : This periodicity is given for information only (See chapter : SERVICING SCHEDULE in paragraph : 9 - MAINTENANCE) for cleaning and changing.

Manitou Mlt Service Manual

S Nieto



Manitou Mlt Service Manual:

Unveiling the Energy of Verbal Art: An Mental Sojourn through **Manitou Mlt Service Manual**

In some sort of inundated with displays and the cacophony of instantaneous conversation, the profound energy and psychological resonance of verbal art often disappear into obscurity, eclipsed by the continuous assault of noise and distractions. However, located within the lyrical pages of **Manitou Mlt Service Manual**, a captivating function of literary beauty that impulses with fresh thoughts, lies an memorable journey waiting to be embarked upon. Composed by a virtuoso wordsmith, this mesmerizing opus guides visitors on an emotional odyssey, softly exposing the latent possible and profound influence stuck within the elaborate internet of language. Within the heart-wrenching expanse with this evocative analysis, we will embark upon an introspective exploration of the book is central subjects, dissect its captivating publishing design, and immerse ourselves in the indelible impact it leaves upon the depths of readers souls.

<https://py.bijouxmedusa.com/About/scholarship/fetch.php/business%2043%20176%20print%20on%20demand%20explained%20for%20startups%2043%201217%20print%20on.pdf>

Table of Contents Manitou Mlt Service Manual

1. Understanding the eBook Manitou Mlt Service Manual
 - The Rise of Digital Reading Manitou Mlt Service Manual
 - Advantages of eBooks Over Traditional Books
2. Identifying Manitou Mlt Service Manual
 - Exploring Different Genres
 - Considering Fiction vs. Non-Fiction
 - Determining Your Reading Goals
3. Choosing the Right eBook Platform
 - Popular eBook Platforms
 - Features to Look for in an Manitou Mlt Service Manual
 - User-Friendly Interface
4. Exploring eBook Recommendations from Manitou Mlt Service Manual

- Personalized Recommendations
 - Manitou Mlt Service Manual User Reviews and Ratings
 - Manitou Mlt Service Manual and Bestseller Lists
5. Accessing Manitou Mlt Service Manual Free and Paid eBooks
 - Manitou Mlt Service Manual Public Domain eBooks
 - Manitou Mlt Service Manual eBook Subscription Services
 - Manitou Mlt Service Manual Budget-Friendly Options
 6. Navigating Manitou Mlt Service Manual eBook Formats
 - ePub, PDF, MOBI, and More
 - Manitou Mlt Service Manual Compatibility with Devices
 - Manitou Mlt Service Manual Enhanced eBook Features
 7. Enhancing Your Reading Experience
 - Adjustable Fonts and Text Sizes of Manitou Mlt Service Manual
 - Highlighting and Note-Taking Manitou Mlt Service Manual
 - Interactive Elements Manitou Mlt Service Manual
 8. Staying Engaged with Manitou Mlt Service Manual
 - Joining Online Reading Communities
 - Participating in Virtual Book Clubs
 - Following Authors and Publishers Manitou Mlt Service Manual
 9. Balancing eBooks and Physical Books Manitou Mlt Service Manual
 - Benefits of a Digital Library
 - Creating a Diverse Reading Collection Manitou Mlt Service Manual
 10. Overcoming Reading Challenges
 - Dealing with Digital Eye Strain
 - Minimizing Distractions
 - Managing Screen Time
 11. Cultivating a Reading Routine Manitou Mlt Service Manual
 - Setting Reading Goals Manitou Mlt Service Manual
 - Carving Out Dedicated Reading Time
 12. Sourcing Reliable Information of Manitou Mlt Service Manual

- Fact-Checking eBook Content of Manitou Mlt Service Manual
 - Distinguishing Credible Sources
13. Promoting Lifelong Learning
- Utilizing eBooks for Skill Development
 - Exploring Educational eBooks
14. Embracing eBook Trends
- Integration of Multimedia Elements
 - Interactive and Gamified eBooks

Manitou Mlt Service Manual Introduction

In today's digital age, the availability of Manitou Mlt Service Manual books and manuals for download has revolutionized the way we access information. Gone are the days of physically flipping through pages and carrying heavy textbooks or manuals. With just a few clicks, we can now access a wealth of knowledge from the comfort of our own homes or on the go. This article will explore the advantages of Manitou Mlt Service Manual books and manuals for download, along with some popular platforms that offer these resources. One of the significant advantages of Manitou Mlt Service Manual books and manuals for download is the cost-saving aspect. Traditional books and manuals can be costly, especially if you need to purchase several of them for educational or professional purposes. By accessing Manitou Mlt Service Manual versions, you eliminate the need to spend money on physical copies. This not only saves you money but also reduces the environmental impact associated with book production and transportation. Furthermore, Manitou Mlt Service Manual books and manuals for download are incredibly convenient. With just a computer or smartphone and an internet connection, you can access a vast library of resources on any subject imaginable. Whether you're a student looking for textbooks, a professional seeking industry-specific manuals, or someone interested in self-improvement, these digital resources provide an efficient and accessible means of acquiring knowledge. Moreover, PDF books and manuals offer a range of benefits compared to other digital formats. PDF files are designed to retain their formatting regardless of the device used to open them. This ensures that the content appears exactly as intended by the author, with no loss of formatting or missing graphics. Additionally, PDF files can be easily annotated, bookmarked, and searched for specific terms, making them highly practical for studying or referencing. When it comes to accessing Manitou Mlt Service Manual books and manuals, several platforms offer an extensive collection of resources. One such platform is Project Gutenberg, a nonprofit organization that provides over 60,000 free eBooks. These books are primarily in the public domain, meaning they can be freely distributed and downloaded. Project Gutenberg offers a wide range of classic literature, making it an excellent resource for literature enthusiasts. Another popular platform for

Manitou Mlt Service Manual books and manuals is Open Library. Open Library is an initiative of the Internet Archive, a non-profit organization dedicated to digitizing cultural artifacts and making them accessible to the public. Open Library hosts millions of books, including both public domain works and contemporary titles. It also allows users to borrow digital copies of certain books for a limited period, similar to a library lending system. Additionally, many universities and educational institutions have their own digital libraries that provide free access to PDF books and manuals. These libraries often offer academic texts, research papers, and technical manuals, making them invaluable resources for students and researchers. Some notable examples include MIT OpenCourseWare, which offers free access to course materials from the Massachusetts Institute of Technology, and the Digital Public Library of America, which provides a vast collection of digitized books and historical documents. In conclusion, Manitou Mlt Service Manual books and manuals for download have transformed the way we access information. They provide a cost-effective and convenient means of acquiring knowledge, offering the ability to access a vast library of resources at our fingertips. With platforms like Project Gutenberg, Open Library, and various digital libraries offered by educational institutions, we have access to an ever-expanding collection of books and manuals. Whether for educational, professional, or personal purposes, these digital resources serve as valuable tools for continuous learning and self-improvement. So why not take advantage of the vast world of Manitou Mlt Service Manual books and manuals for download and embark on your journey of knowledge?

FAQs About Manitou Mlt Service Manual Books

1. Where can I buy Manitou Mlt Service Manual books? Bookstores: Physical bookstores like Barnes & Noble, Waterstones, and independent local stores. Online Retailers: Amazon, Book Depository, and various online bookstores offer a wide range of books in physical and digital formats.
2. What are the different book formats available? Hardcover: Sturdy and durable, usually more expensive. Paperback: Cheaper, lighter, and more portable than hardcovers. E-books: Digital books available for e-readers like Kindle or software like Apple Books, Kindle, and Google Play Books.
3. How do I choose a Manitou Mlt Service Manual book to read? Genres: Consider the genre you enjoy (fiction, non-fiction, mystery, sci-fi, etc.). Recommendations: Ask friends, join book clubs, or explore online reviews and recommendations. Author: If you like a particular author, you might enjoy more of their work.
4. How do I take care of Manitou Mlt Service Manual books? Storage: Keep them away from direct sunlight and in a dry environment. Handling: Avoid folding pages, use bookmarks, and handle them with clean hands. Cleaning: Gently dust

- the covers and pages occasionally.
5. Can I borrow books without buying them? Public Libraries: Local libraries offer a wide range of books for borrowing. Book Swaps: Community book exchanges or online platforms where people exchange books.
 6. How can I track my reading progress or manage my book collection? Book Tracking Apps: Goodreads, LibraryThing, and Book Catalogue are popular apps for tracking your reading progress and managing book collections. Spreadsheets: You can create your own spreadsheet to track books read, ratings, and other details.
 7. What are Manitou Mlt Service Manual audiobooks, and where can I find them? Audiobooks: Audio recordings of books, perfect for listening while commuting or multitasking. Platforms: Audible, LibriVox, and Google Play Books offer a wide selection of audiobooks.
 8. How do I support authors or the book industry? Buy Books: Purchase books from authors or independent bookstores. Reviews: Leave reviews on platforms like Goodreads or Amazon. Promotion: Share your favorite books on social media or recommend them to friends.
 9. Are there book clubs or reading communities I can join? Local Clubs: Check for local book clubs in libraries or community centers. Online Communities: Platforms like Goodreads have virtual book clubs and discussion groups.
 10. Can I read Manitou Mlt Service Manual books for free? Public Domain Books: Many classic books are available for free as they're in the public domain. Free E-books: Some websites offer free e-books legally, like Project Gutenberg or Open Library.

Find Manitou Mlt Service Manual :

business 43-176 print on demand explained for startups 43-1217 print on States 43-2828 digital marketing tutorial for creators 43-686

AI marketing comparison for entrepreneurs 43-1018 AI marketing examples

business automation roadmap for entrepreneurs 43-2619 business

for startups 43-258 credit score improvement blueprint for entrepreneurs

practices for entrepreneurs 43-1286 business automation best practices

43-1664 interview tips apps United States 43-766 interview tips apps for

practices USA 43-2306 Instagram growth blueprint America 43-2300

freelancing online for beginners America 43-2290 freelancing online for

apps USA 43-1012 fitness routines apps for creators 43-2159 fitness

43-758 SEO strategy blueprint United States 43-784 SEO strategy mobile app ideas ideas for startups 43-1345 mobile app ideas ideas for best practices for entrepreneurs 43-2260 AI marketing best practices for 43-960 online privacy ideas for creators 43-1452 online privacy ideas online privacy ideas USA 43-616 online privacy ideas United States

Manitou Mlt Service Manual :

a2 aqa biology empa 2014 help environment harvard edu - Jan 08 2023

web a2 aqa biology empa 2014 practical skills in biology aug 27 2022 laboratory and field studies are essential areas of undergraduate training in biology practical work must be

a2 biology empa 2014 pdf china int indonesia travel - Jul 02 2022

web al waters 2014 06 17 nail your a2 empa i have taught marked and moderated a level isas and empas for aqa and from this written the only specific guide for this exam with

biology a2 2014 empa verify meetcircle com - Mar 30 2022

web 4 biology a2 2014 empa 2021 03 18 lives the book skilfully guides readers to explore alternatives generate new ideas and develop constructive plans both for their own lives

biology aqa a2 empa 2014 secure4 khronos - Jan 28 2022

web jun 20 2023 browse the biology aqa a2 empa 2014 join that we have the funding for here and check out the link this biology aqa a2 empa 2014 as one of the majority

biology aqa a2 empa 2014 help environment harvard edu - Feb 26 2022

web biology aqa a2 empa 2014 that we will definitely offer it is not as regards the costs its roughly what you habit currently this biology aqa a2 empa 2014 as one of the most

bio 2 exam 2 flashcards quizlet - Dec 27 2021

web biology botany bio 2 exam 2 flashcards learn test match flashcards learn test match created by devindrourke terms in this set 115 biome a large naturally

aqa biology a2 empa a guide to getting your best grade - Feb 09 2023

web buy aqa biology a2 empa a guide to getting your best grade by waters dr al isbn 9781500227883 from amazon s book store everyday low prices and free delivery on

biology a2 empa 2014 help environment harvard edu - Jun 01 2022

web biology a2 empa 2014 right here we have countless ebook biology a2 empa 2014 and collections to check out we

additionally pay for variant types and with type of the books

biology a2 empa 2014 opendoors cityandguilds - Nov 25 2021

web biology a2 empa 2014 1 biology a2 empa 2014 augmented humanity aspc manual of preventive cardiology molten

carbonate fuel cells practical diabetes low carbon high

biology a2 empa 2014 portal dlc ui edu ng - Sep 04 2022

web 2 biology a2 empa 2014 2020 05 12 covered in this text on art and science springer wetlands serve many important functions and provide numerous ecological services

biológia érettségi feladatlapok és megoldókulcsok biokemonline - Oct 25 2021

web 2014 október feladatlap1 megoldókulcs1 feladatlap1 megoldókulcs1 2014 május feladatlap1 feladatlap2 megoldókulcs1 megoldókulcs2 feladatlap1 feladatlap2

topics to know for biology empa 2014 test2 rmets org - Aug 03 2022

web apr 27 2018 a2 biology empa 2014 task 3 ebook charlestonwestside org what are the two aqa a level biology isa for 2014 yahoo aqa as biology empa 2014 ebook plesetsk

biology a2 empa 2014 pdf 2023 support ortax - Aug 15 2023

web this book covers aqa biology a2 units unit 4 populations and environment unit 5 control in cells and in organisms the book includes the following features how

find this and other free educational resources at tetea - Dec 07 2022

web biology 2a actual practical a for both school and private candidates th friday 06 november 2015 a m instructions this paper consists of two 2 questions

biology a2 2014 empa uniport edu ng - Mar 10 2023

web jun 15 2023 biology a2 2014 empa 1 9 downloaded from uniport edu ng on june 15 2023 by guest biology a2 2014 empa this is likewise one of the factors by obtaining

as biology 2014 empa unofficial mark scheme lia erc gov ph - Oct 05 2022

web jul 28 2023 a2 empa biology 2014 unofficial mark scheme mborst de june 19th 2018 download and read a2 empa biology 2014 unofficial mark scheme a2 empa biology

a2 empa 2014 prep mindmap in a level and ib biology get - Jul 14 2023

web a2 empa 2014 prep 5 0 5 based on 5 ratings biology ecology ecosystems and environmental biology a2 a level aqa created by gege created on 30 04 14 19 15

a2 biology aqa june 2014 empa pdf gccca eu - Jun 13 2023

web mar 20 2023 a2 biology aqa june 2014 empa pdf recognizing the showing off ways to acquire this book a2 biology aqa

june 2014 empa pdf is additionally useful you have

biology a2 2014 empa uniport edu ng - Apr 11 2023

web jun 7 2023 biology a2 2014 empa is available in our book collection an online access to it is set as public so you can download it instantly our book servers spans in multiple

[aÖl biyoloji 2 dersi 2014 2015 yılı ek sınavı aÖl soru](#) - May 12 2023

web dec 1 2019 aöl biyoloji 2 dersi 2014 2015 yılı ek sınavı sorularını çözerek sınavlara daha hazırlıklı olabilirsiniz biyoloji 2 dersi 1 dönem 2 dönem 3 dönem ve ek sınav ve

find this and other free educational resources at tetea - Nov 06 2022

web biology thursd9v november 2014 a m this paper consists orscçûons a b and c answer all quesaions in sections a and b and one question from section c answers be

[biology empa a2 2014 openstackstats mirantis com](#) - Sep 23 2021

web biology empa a2 2014 is available in our book collection an online access to it is set as public so you can download it instantly our books collection saves in multiple locations

biology a2 empa 2014 uniport edu ng - Apr 30 2022

web biology a2 empa 2014 2 9 downloaded from uniport edu ng on may 9 2023 by guest furthermore dark side experiences in everyday life abound and features of modern

12 duct design level 1 fundamental tdp 504 free download - Mar 09 2023

web may 5 2021 carrier tdp 504 duct design level 1 fundamentals introduction duct design criteria theory and fundamentals friction loss in ducts fitting dynamic

good better best duct design ashrae bi state - Aug 02 2022

web normative content of manual d sections 1 and 2 basic duct sizing principles and system operating point the first two sections detail duct system physics duct airflow blower

tdp 504 duct design level 1 fundamentals quiz scribd - Jan 07 2023

web it is your no question own era to pretense reviewing habit among guides you could enjoy now is duct design level 1 fundamentals below hearings reports and prints of the

[manual d residential duct design acca](#) - Apr 29 2022

web aug 16 2018 a step by step design process will be presented covering such aspects of duct design as zoning load determination layout sizing and determining static

carrier technical development programs tdp books hvac - Sep 03 2022

web guide duct design level 1 fundamentals as you such as tdp 504 duct design level 1 fundamentals pdf vsip info oct 29

2022 duct design level 1 fundamentals noise

181010 duct design presentation rc 1 studocu - Feb 25 2022

web apr 23 2015 always use proper hvac ductwork made of standard material such as metal or fiberglass balance airflow

keep the airflow in the ductwork balanced by installing

carrier duct design level 1 fundamentals tdp 504 - Jan 27 2022

web tum to the experts duct design level 1 fundamentals surface roughness of ducts duct material roughness refers to the inside surface of the

ductdesignlevel1fundamentals help environment harvard edu - May 31 2022

web lecture notes lectures 1 11 complete course overview reading summaries exam review chicken genetics gizmo quiz 3 not all questions are correct got about 90 ray

duct design level 1 fundamentals - Oct 04 2022

web tdp 504 duct design level 1 fundamentals this module will look at the way commercial duct design creates an airflow conduit for interconnecting an air handler

tdp 504 duct design level 1 fundamentals pdf pdf - Jul 13 2023

web chapter one of the duct system design guide presents the fundamen tals of duct system design establish ing a strong technical foundation that will aid in understanding and

commercial distribution systems duct design - Mar 29 2022

web materials ducts can be made out of the following materials galvanized steel galvanized mild steel is the standard and most common material used in fabricating ductwork

carrier tdp 504 duct design level 1 fundamentals - Dec 06 2022

web tdp 504 canister design level 1 fundamentals this module will look at to way commercial duct design creates an airflow central for interconnecting an air handler

hvac ducting principles and fundamentals - Aug 14 2023

web hvac ducting principles and fundamentals 2020 instructor a bhatia b e 11 0 ductwork design considerations 33 11 1 duct frictional resistance 33

12 duct design level 1 fundamental tdp 504 pdf - May 11 2023

web apr 20 2017 distribution systems 3 duct design level 1 fundamentals noise level an undersized duct system that is one with higher velocities creates noise that

the basic principles of duct design part 1 energy - Nov 05 2022

web 1 fundamentals 2 design methods 3 energy consumption 4 sound control 5 leakage control 6 exposed ductwork 7

materials 8 specifications good better best duct

duct design level 1 fundamentals free pdf - Feb 08 2023

web may 25 2017 designing a duct system is important but there are a few critical steps that come first number one is the heating and cooling load calculation using a protocol like

duct flow wikipedia - Dec 26 2021

05 01 tdp carrier duct design level 1 fundamental - Oct 24 2021

the fundamentals of duct system design mcgill airflow - Jun 12 2023

web duct design level 1 fundamentals technical development programs tdp are modules of technical training on hvac theory system design equipment selection and

5 key principles of hvac air duct design russell s hvac - Nov 24 2021

carrier technical development programs tdp books hvac r - Jul 01 2022

web introduction this technical development program tdp covers the fundamental principles of duct system design for commercial building applications the most popular duct

hvac training duct design basics acca acca - Apr 10 2023

web 1 the total pressure of the air moving within a duct is made up of two separate components name them 2 the total pressure within the duct always decreases in the

atlas der angewandten anatomie der haustiere zvab - Apr 30 2022

web atlas der angewandten anatomie der haustiere beim zvab com isbn 10 3830411405 isbn 13 9783830411406 hardcover zum inhaltsverzeichnis zvab com suchen login nutzerkonto wagenkorb hilfe men ü suchen nutzerkonto meine bestellungen detailsuche sammlungen bücher

3830410263 atlas der angewandten anatomie der haustiere - Feb 26 2022

web atlas der angewandten anatomie der haustiere finden sie alle bücher von unnamed bei der büchersuchmaschine eurobuch com können sie antiquarische und neubücher vergleichen und sofort zum bestpreis bestellen 3830410263 enke tiermedizin im mvs gebundene ausgabe produktgruppe buch kategorien bücher

atlas der angewandten anatomie der haustiere gebundene ausgabe amazon de - Sep 04 2022

web atlas der angewandten anatomie der haustiere isbn 9783830410263 kostenloser versand für alle bücher mit versand und verkauf durch amazon

[atlas der angewandten anatomie der haustiere medimops zvab](#) - Mar 30 2022

web atlas der angewandten anatomie der haustiere 0 bewertungen bei goodreads isbn 10 3830410670 isbn 13 9783830410676 hardcover für später vormerken verkäufer medimops berlin deutschland abebooks verkäufer seit 10 mai 2010 verkäuferbewertung alle artikel dieses verkäufers anzeigen

[atlas der angewandten anatomie der haustiere semantic scholar](#) - Feb 09 2023

web doi 10 1024 0036 7281 146 6 303b corpus id 71739381 atlas der angewandten anatomie der haustiere article salomon2004atlasda title atlas der angewandten anatomie der haustiere author franz viktor salomon and hans geyer journal schweizer archiv fur tierheilkunde year 2004 volume 146 pages 303

atlas der angewandten anatomie der haustiere pdf - Jun 01 2022

web auflage mit den vorarbeiten zum atlas der angewandten anatomie der haustiere wurde in leipzig 1983 begonnen am veterinär anatomischen institut der leipziger universität hat der einsatz von stehend fixierten großtieren im unterricht eine lange tradition

pdf atlas der angewandten anatomie der haustiere - Sep 16 2023

web pdf on jun 1 2004 f v salomon and others published atlas der angewandten anatomie der haustiere find read and cite all the research you need on researchgate

[atlas der angewandten anatomie der haustiere open library](#) - Apr 11 2023

web jan 1 1997 atlas der angewandten anatomie der haustiere by franz viktor salomon hans geyer january 1 1997 enke edition hardcover

[atlas der angewandten anatomie der haustiere zurich open](#) - Jan 08 2023

web anatomie und klinik gehen hand in hand in propädeutik innerer medizin chirurgie und weiteren

[atlas der angewandten anatomie der haustiere worldcat org](#) - Dec 07 2022

web cookies on oclc websites our web pages use cookies information about how you interact with the site when you select accept all cookies you re agreeing to let your browser store that data on your device so that we can provide you with a better more relevant experience

atlas angewandten anatomie haustiere zvab - Aug 03 2022

web atlas der angewandten anatomie der haustiere salomon franz victor und hans geyer verlag stuttgart enke 1997 isbn 10 3432291914 isbn 13 9783432291918 anbieter antiquariat braun gengenbach deutschland bewertung verkäufer kontaktieren buch gebraucht hardcover zustand wie neu eur 40 00 währung umrechnen eur 5 00

[anatomie der haustiere 9783132425095 thieme webshop](#) - Oct 05 2022

web lebendige anatomie die kombination aus lehrbuch und atlas vermittelt das komplette spektrum der systematischen und

topographisch klinischen anatomie auf über 1 100 herausragenden abbildungen werden u a makroanatomische und histologische präparate scheibenplastinate zeichnungen und bildgebende verfahren gezeigt

atlas der angewandten anatomie der haustiere 9783830410676 - Jul 02 2022

web atlas der angewandten anatomie der haustiere isbn 10 3830410670 isbn 13 9783830410676 hardcover zum hauptinhalt
zvab com suchen login nutzerkonto warenkorb hilfe men ü suchen nutzerkonto meine bestellungen detailsuche

atlas der angewandten anatomie der haustiere academia edu - Jul 14 2023

web atlas der angewandten anatomie der haustiere atlas der angewandten anatomie der haustiere atlas der angewandten anatomie der haustiere salomon ih 20 03 2007 08 57 uhr seite 3 atlas der angewandten anatomie der haustiere
herausgegeben von franz viktor salomon hans geiger unter mitarbeit von h Černý m

atlas der angewandten anatomie der haustiere thieme - Oct 17 2023

web atlas der angewandten anatomie der haustiere anatomie und klinik gehen hand in hand in propädeutik innerer mediziner chirurgie und weiteren fächern sind gute anatomie kenntnisse für sie unverzichtbar

atlas der angewandten anatomie der haustiere gebundene ausgabe amazon de - Aug 15 2023

web atlas der angewandten anatomie der haustiere geiger hans salomon franz viktor cerny hugo fersterra martina amazon de
bücher

atlas der angewandten anatomie der haustiere readingsample - Mar 10 2023

web atlas der angewandten anatomie der haustiere bearbeitet von hans geiger franz viktor salomon hugo cerny martina
fersterra uwe gille 4 aktual aufl 2011 buch 272 s hardcover isbn 978 3 8304 1140 6 format b x l 17 x 24 cm weitere
fachgebiete mediziner veterinärmedizin veterinärmedizin haus

atlas der angewandten anatomie der haustiere request pdf - Nov 06 2022

web request pdf on oct 1 2011 michael h stoffel published atlas der angewandten anatomie der haustiere find read and cite
all the research you need on researchgate

atlas der angewandten anatomie der haustiere gebundene ausgabe amazon de - May 12 2023

web atlas der angewandten anatomie der haustiere 169 98 24 nur noch 1 auf lager detailgetreue farbfotos erleichtern die
orientierung am präparat und erkennen diagnostisch und klinisch relevanter strukturen

atlas der angewandten anatomie der haustiere thieme - Jun 13 2023

web atlas der angewandten anatomie der haustiere print isbn 9783830410676 online isbn 9783131937438 more information
book editors salomon franz viktor geiger hans kopf und hals des schweines full text pdf