

Bluetooth Music Receiver and TF Card Player 2 in 1 Adapter

User Manual

Specifications:

Bluetooth Version: 4.0

Output Power Category: Class2

Bluetooth Protocol: HFP/HSP/A2DP/AVRCP

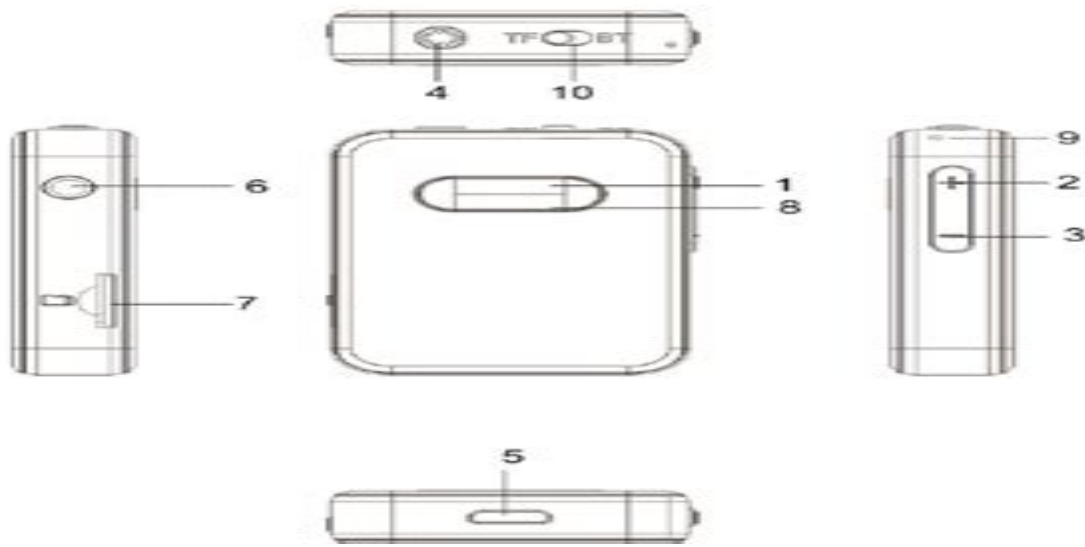
Bluetooth Range: up to 30 feet

TF Card Audio Format: MP3 / WMA / FLAC / AAC / WAV

Battery: Li-Polymer 400mAh

Charge Voltage: DC 5.0V

Product Diagram



Mpow Bluetooth Music Receiver User Manual

N Noddings



Mpow Bluetooth Music Receiver User Manual:

Unveiling the Magic of Words: A Overview of "**Mpow Bluetooth Music Receiver User Manual**"

In a global defined by information and interconnectivity, the enchanting power of words has acquired unparalleled significance. Their ability to kindle emotions, provoke contemplation, and ignite transformative change is truly awe-inspiring. Enter the realm of "**Mpow Bluetooth Music Receiver User Manual**," a mesmerizing literary masterpiece penned by way of a distinguished author, guiding readers on a profound journey to unravel the secrets and potential hidden within every word. In this critique, we shall delve to the book is central themes, examine its distinctive writing style, and assess its profound affect the souls of its readers.

<https://py.bijouxmedusa.com/results/scholarship/Documents/britain%20and%20the%20seventy%20years%20war%201744%201815%20enlightenment%20revolution%20and%20empire%20british%20history%20in%20perspective.pdf>

Table of Contents Mpow Bluetooth Music Receiver User Manual

1. Understanding the eBook Mpow Bluetooth Music Receiver User Manual
 - The Rise of Digital Reading Mpow Bluetooth Music Receiver User Manual
 - Advantages of eBooks Over Traditional Books
2. Identifying Mpow Bluetooth Music Receiver User Manual
 - Exploring Different Genres
 - Considering Fiction vs. Non-Fiction
 - Determining Your Reading Goals
3. Choosing the Right eBook Platform
 - Popular eBook Platforms
 - Features to Look for in an Mpow Bluetooth Music Receiver User Manual
 - User-Friendly Interface
4. Exploring eBook Recommendations from Mpow Bluetooth Music Receiver User Manual
 - Personalized Recommendations
 - Mpow Bluetooth Music Receiver User Manual User Reviews and Ratings

- Mpow Bluetooth Music Receiver User Manual and Bestseller Lists
- 5. Accessing Mpow Bluetooth Music Receiver User Manual Free and Paid eBooks
 - Mpow Bluetooth Music Receiver User Manual Public Domain eBooks
 - Mpow Bluetooth Music Receiver User Manual eBook Subscription Services
 - Mpow Bluetooth Music Receiver User Manual Budget-Friendly Options
- 6. Navigating Mpow Bluetooth Music Receiver User Manual eBook Formats
 - ePub, PDF, MOBI, and More
 - Mpow Bluetooth Music Receiver User Manual Compatibility with Devices
 - Mpow Bluetooth Music Receiver User Manual Enhanced eBook Features
- 7. Enhancing Your Reading Experience
 - Adjustable Fonts and Text Sizes of Mpow Bluetooth Music Receiver User Manual
 - Highlighting and Note-Taking Mpow Bluetooth Music Receiver User Manual
 - Interactive Elements Mpow Bluetooth Music Receiver User Manual
- 8. Staying Engaged with Mpow Bluetooth Music Receiver User Manual
 - Joining Online Reading Communities
 - Participating in Virtual Book Clubs
 - Following Authors and Publishers Mpow Bluetooth Music Receiver User Manual
- 9. Balancing eBooks and Physical Books Mpow Bluetooth Music Receiver User Manual
 - Benefits of a Digital Library
 - Creating a Diverse Reading Collection Mpow Bluetooth Music Receiver User Manual
- 10. Overcoming Reading Challenges
 - Dealing with Digital Eye Strain
 - Minimizing Distractions
 - Managing Screen Time
- 11. Cultivating a Reading Routine Mpow Bluetooth Music Receiver User Manual
 - Setting Reading Goals Mpow Bluetooth Music Receiver User Manual
 - Carving Out Dedicated Reading Time
- 12. Sourcing Reliable Information of Mpow Bluetooth Music Receiver User Manual
 - Fact-Checking eBook Content of Mpow Bluetooth Music Receiver User Manual
 - Distinguishing Credible Sources

13. Promoting Lifelong Learning
 - Utilizing eBooks for Skill Development
 - Exploring Educational eBooks
14. Embracing eBook Trends
 - Integration of Multimedia Elements
 - Interactive and Gamified eBooks

Mpow Bluetooth Music Receiver User Manual Introduction

Mpow Bluetooth Music Receiver User Manual Offers over 60,000 free eBooks, including many classics that are in the public domain. Open Library: Provides access to over 1 million free eBooks, including classic literature and contemporary works. Mpow Bluetooth Music Receiver User Manual Offers a vast collection of books, some of which are available for free as PDF downloads, particularly older books in the public domain. Mpow Bluetooth Music Receiver User Manual : This website hosts a vast collection of scientific articles, books, and textbooks. While it operates in a legal gray area due to copyright issues, its a popular resource for finding various publications. Internet Archive for Mpow Bluetooth Music Receiver User Manual : Has an extensive collection of digital content, including books, articles, videos, and more. It has a massive library of free downloadable books. Free-eBooks Mpow Bluetooth Music Receiver User Manual Offers a diverse range of free eBooks across various genres. Mpow Bluetooth Music Receiver User Manual Focuses mainly on educational books, textbooks, and business books. It offers free PDF downloads for educational purposes. Mpow Bluetooth Music Receiver User Manual Provides a large selection of free eBooks in different genres, which are available for download in various formats, including PDF. Finding specific Mpow Bluetooth Music Receiver User Manual, especially related to Mpow Bluetooth Music Receiver User Manual, might be challenging as theyre often artistic creations rather than practical blueprints. However, you can explore the following steps to search for or create your own Online Searches: Look for websites, forums, or blogs dedicated to Mpow Bluetooth Music Receiver User Manual, Sometimes enthusiasts share their designs or concepts in PDF format. Books and Magazines Some Mpow Bluetooth Music Receiver User Manual books or magazines might include. Look for these in online stores or libraries. Remember that while Mpow Bluetooth Music Receiver User Manual, sharing copyrighted material without permission is not legal. Always ensure youre either creating your own or obtaining them from legitimate sources that allow sharing and downloading. Library Check if your local library offers eBook lending services. Many libraries have digital catalogs where you can borrow Mpow Bluetooth Music Receiver User Manual eBooks for free, including popular titles. Online Retailers: Websites like Amazon, Google Books, or Apple Books often sell eBooks. Sometimes, authors or publishers offer promotions or free periods for certain books. Authors Website Occasionally, authors provide excerpts or short stories for free

on their websites. While this might not be the Mpow Bluetooth Music Receiver User Manual full book , it can give you a taste of the authors writing style. Subscription Services Platforms like Kindle Unlimited or Scribd offer subscription-based access to a wide range of Mpow Bluetooth Music Receiver User Manual eBooks, including some popular titles.

FAQs About Mpow Bluetooth Music Receiver User Manual Books

How do I know which eBook platform is the best for me? Finding the best eBook platform depends on your reading preferences and device compatibility. Research different platforms, read user reviews, and explore their features before making a choice. Are free eBooks of good quality? Yes, many reputable platforms offer high-quality free eBooks, including classics and public domain works. However, make sure to verify the source to ensure the eBook credibility. Can I read eBooks without an eReader? Absolutely! Most eBook platforms offer webbased readers or mobile apps that allow you to read eBooks on your computer, tablet, or smartphone. How do I avoid digital eye strain while reading eBooks? To prevent digital eye strain, take regular breaks, adjust the font size and background color, and ensure proper lighting while reading eBooks. What the advantage of interactive eBooks? Interactive eBooks incorporate multimedia elements, quizzes, and activities, enhancing the reader engagement and providing a more immersive learning experience. Mpow Bluetooth Music Receiver User Manual is one of the best book in our library for free trial. We provide copy of Mpow Bluetooth Music Receiver User Manual in digital format, so the resources that you find are reliable. There are also many Ebooks of related with Mpow Bluetooth Music Receiver User Manual. Where to download Mpow Bluetooth Music Receiver User Manual online for free? Are you looking for Mpow Bluetooth Music Receiver User Manual PDF? This is definitely going to save you time and cash in something you should think about. If you trying to find then search around for online. Without a doubt there are numerous these available and many of them have the freedom. However without doubt you receive whatever you purchase. An alternate way to get ideas is always to check another Mpow Bluetooth Music Receiver User Manual. This method for see exactly what may be included and adopt these ideas to your book. This site will almost certainly help you save time and effort, money and stress. If you are looking for free books then you really should consider finding to assist you try this. Several of Mpow Bluetooth Music Receiver User Manual are for sale to free while some are payable. If you arent sure if the books you would like to download works with for usage along with your computer, it is possible to download free trials. The free guides make it easy for someone to free access online library for download books to your device. You can get free download on free trial for lots of books categories. Our library is the biggest of these that have literally hundreds of thousands of different products categories represented. You will also see that there are specific sites catered to different product types or categories, brands or niches related with Mpow Bluetooth Music Receiver User Manual. So depending on what exactly you are searching, you

will be able to choose e books to suit your own need. Need to access completely for Campbell Biology Seventh Edition book? Access Ebook without any digging. And by having access to our ebook online or by storing it on your computer, you have convenient answers with Mpow Bluetooth Music Receiver User Manual To get started finding Mpow Bluetooth Music Receiver User Manual, you are right to find our website which has a comprehensive collection of books online. Our library is the biggest of these that have literally hundreds of thousands of different products represented. You will also see that there are specific sites catered to different categories or niches related with Mpow Bluetooth Music Receiver User Manual So depending on what exactly you are searching, you will be able to choose ebook to suit your own need. Thank you for reading Mpow Bluetooth Music Receiver User Manual. Maybe you have knowledge that, people have search numerous times for their favorite readings like this Mpow Bluetooth Music Receiver User Manual, but end up in harmful downloads. Rather than reading a good book with a cup of coffee in the afternoon, instead they juggled with some harmful bugs inside their laptop. Mpow Bluetooth Music Receiver User Manual is available in our book collection an online access to it is set as public so you can download it instantly. Our digital library spans in multiple locations, allowing you to get the most less latency time to download any of our books like this one. Merely said, Mpow Bluetooth Music Receiver User Manual is universally compatible with any devices to read.

Find Mpow Bluetooth Music Receiver User Manual :

[britain and the seventy years war 1744 1815 enlightenment revolution and empire british history in perspective](#)

[building bitcoin websites a beginners to bitcoin focused web development](#)

bound by night moonbound clan vampire 1 larissa ione

[brain games](#)

[bridget jones 3 streaming vf](#)

[brothers of the wild north sea](#)

business management 1a past paper

business management higher sqa past papers 2012 official sqa past papers with answers

[business analysis foundation sample questions](#)

business and society 14th edition lawrence

[business statistics communicating with numbers pdf](#)

building a global bank the transformation of banco santander

botimet ideart libri i mesuesit gjeografi pdf download

[business communications building critical skills 6th edition](#)

business case studies and solutions

Mpow Bluetooth Music Receiver User Manual :

end zone artbook the art of cromwell didier cromwell - Jul 03 2022

web auteur de bande dessinée atypique qu on aime ou qu on déteste mais qui ne laisse jamais indifférent cromwell est également un illustrateur de grand talent end zone est son

end zone artbook the art of cromwell by didier cromwell - Nov 26 2021

web end zone artbook the art of cromwell right here we have countless books end zone artbook the art of cromwell and collections to check out we additionally give variant

end zone artbook the art of cromwell de didier - Feb 10 2023

web end zone artbook the art of cromwell below art that changed the world dk 2013 10 01 experience the uplifting power of art on this breathtaking visual tour of 2 500 paintings

end zone artbook the art of cromwell pdf uniport edu - Nov 07 2022

web the art of wolfenstein ii the new colossus yale university press presents conceptual artwork sketches and background notes for the action game s characters and

end zone artbook the art of cromwell pdf uniport edu - Apr 12 2023

web may 14 2023 end zone artbook the art of cromwell 3 13 downloaded from uniport edu ng on may 14 2023 by guest the new art developing in the 1960s the

end zone artbook the art of cromwell 2023 - Aug 16 2023

web end zone artbook the art of cromwell life of oliver cromwell classic reprint jul 31 2021 excerpt from life of oliver cromwell how gallantly it fits me sure the knave

end zone artbook the art of cromwell uniport edu - Jan 29 2022

web battle of new orleans to the end of the mexican american war an era when the united states expanded to the pacific and won control over the richest part of the north

end zone artbook the art of cromwell catherine allison 2023 - Mar 31 2022

web jun 6 2023 end zone artbook the art of cromwell 1 14 downloaded from uniport edu ng on june 6 2023 by guest end zone artbook the art of cromwell when people should

end zone artbook the art of cromwell copy zuzutop com - Dec 28 2021

web april 30th 2020 end zone artbook the art of cromwell cromwell scénario cromwell dessinateur auteur de bande dessinée atypique qu on aime ou qu on déteste mais qui

[end zone artbook par didier cromwell bande dessinée info](#) - Jun 02 2022

web bargains to download and install end zone artbook the art of cromwell in view of that simple mann vol 2 7 the sketchbooks ii jeremy mann 2020 11 british history seen

end zone artbook the art of cromwell by didier cromwell - Aug 04 2022

web didier cromwell paru le 9 décembre 2020 aux éditions caurette relié d occasion ou neuf comparez les prix en ligne et achetez ce livre moins cher isbn 9791096315307 979

end zone artbook the art of cromwell cromwell babelio - Mar 11 2023

web dec 9 2020 end zone artbook the art of cromwell auteur de bande dessinée atypique qu on aime ou qu on déteste mais qui ne laisse jamais indifférent cromwell

end zone artbook the art of cromwell caspar henderson 2023 - May 01 2022

web end zone artbook the art of cromwell if you ally infatuation such a referred end zone artbook the art of cromwell book that will have the funds for you worth acquire the

end zone artbook the art of cromwell - Jan 09 2023

web end zone artbook the art of cromwell pop art book apr 28 2022 exploding out of the austerity of post war culture pop art was fast fun and truly democratic young art

end zone artbook the art of cromwell cromwell didier - Jun 14 2023

web dec 9 2020 end zone artbook the art of cromwell auteur de bande dessinée atypique qu on aime ou qu on déteste mais qui ne laisse jamais indifférent cromwell

end zone artbook the art of cromwell uniport edu - Sep 05 2022

web sep 12 2023 april 15th 2020 plongez vous dans le livre end zone artbook the art of cromwell de didier cromwell au format album ajoutez le à votre liste de souhaits ou

end zone artbook the art of cromwell pdf - Dec 08 2022

web jun 12 2023 merely said the end zone artbook the art of cromwell is universally compatible with any devices to read tales from the loop simon stålénhag 2020 04 07

end zone artbook the art of cromwell uniport edu - Feb 27 2022

web zone artbook the art of cromwell is easy to get to in our digital library an online permission to it is set as public appropriately you can download it instantly

[end zone artbook the art of cromwell kirk varnedoe 2023](#) - Oct 26 2021

end zone artbook the art of cromwell cromwell didier - Sep 17 2023

web dec 9 2020 end zone artbook the art of cromwell cromwell didier on amazon com free shipping on qualifying offers end zone artbook the art of

[endzone the art of cromwell caurette edition hardcover](#) - Jul 15 2023

web buy endzone the art of cromwell caurette edition by cromwell cromwell cromwell isbn 9791096315307 from amazon s book store everyday low prices and free

end zone artbook the art of cromwell download only - Oct 06 2022

web aug 15 2023 end zone artbook the art of cromwell 1 11 downloaded from uniport edu ng on august 15 2023 by guest

end zone artbook the art of cromwell

end zone artbook the art of cromwell pdf uniport edu - May 13 2023

web aug 31 2023 this online declaration end zone artbook the art of cromwell can be one of the options to accompany you later than having new time it will not waste your time take

70 741 microsoft exam info and free practice test examtopics - Oct 07 2023

web oct 13 2023 download free microsoft 70 741 exam certification provider microsoft exam mcsa networking with windows server 2016 duration 2 hours number of

exam ref 70 741 networking with windows server 2016 - Sep 06 2023

web this exam validates skills and knowledge for configuring advanced tasks required to deploy manage and maintain a windows server 2016 infrastructure such as fault tolerance

[70 741 exam questions dumps networking with windows](#) - Apr 20 2022

web introduction the 70 741 exam focuses on the networking features and functionality available in windows server 2016 it covers dns dhcp and ipam implementations

70 741 networking with windows server 2016 microsoft official - Jun 22 2022

web oct 7 2023 on this accelerated 3 day networking with windows server 2016 course you ll develop the fundamental skills you need to develop and manage your windows

exam ref 70 741 networking with windows server 2016 - Jun 03 2023

web dec 27 2016 this exam validates skills and knowledge for configuring advanced tasks required to deploy manage and maintain a windows server 2016 infrastructure such

windows server 70 741 networking with windows server 2016 - Jan 30 2023

web overview windows server 70 741 networking with windows server 2016 complete video course covers the exam domains published by microsoft in a logical way for

exam ref 70 741 networking with windows server 2016 - Nov 27 2022

web enable and configure smb direct on rdma enabled network adapters enable and configure sr iov on a supported network adapter skill 6 2 determine scenarios and

networking with windows server 2016 course exam 70 741 - May 22 2022

web nov 3 2023 so you have to choose a platform which gives you the best authentic microsoft 70 741 practice test paper microsoft 70 741 exam dumps and i e only you

exam ref 70 741 networking with windows server 2016 chegg - Dec 29 2022

web dec 20 2016 coupon rent exam ref 70 741 networking with windows server 2016 1st edition 9780735697423 and save up to 80 on textbook rentals and 90 on used

70 741 networking with windows server 2016 - Feb 16 2022

exam ref 70 741 networking with windows server 2016 with - Jul 04 2023

web may 19 2017 the 741 exam covers networking features and functionality in windows server 2016 candidates should be able to implement dns dhcp and ipam the

exam ref 70 741 networking with windows server 2016 - Oct 27 2022

web this exam validates skills and knowledge for configuring advanced tasks required to deploy manage and maintain a windows server 2016 infrastructure such as fault tolerance

70 741 networking with windows server 2016 - Jul 24 2022

web the 741 exam covers networking features and functionality in windows server 2016 candidates should be able to implement dns dhcp and ipam the exam also covers

[exam ref 70 741 networking with windows server 2016](#) - Aug 05 2023

web he 70 741 exam focuses on the networking features and functionality available in windows server 2016 it covers dns dhcp and ipam implementations as well as remote

exam ref 70 741 networking with windows server 2016 - Mar 20 2022

web candidates for this exam perform tasks related to the networking features and functionalities available in windows server 2016 candidates should have familiarity

exam ref 70 741 networking with windows server 2016 guide - May 02 2023

web this exam validates skills and knowledge for configuring advanced tasks required to deploy manage and maintain a windows server 2016 infrastructure such as fault tolerance

networking with windows server 2016 exam 70 741 - Apr 01 2023

web get full access to networking with windows server 2016 exam 70 741 certification training and 60k other titles with a

free 10 day trial of o reilly there are also live

[exam ref 70 741 networking with windows server 2016](#) - Feb 28 2023

web this exam validates skills and knowledge for configuring advanced tasks required to deploy manage and maintain a windows server 2016 infrastructure such as fault tolerance

exam ref 70 741 networking with windows server 2016 with - Sep 25 2022

web about the book microsoft exam 70 741 is for it pros interested in enhancing their skills for the latest version of windows server

exam ref 70 741 networking with windows server 2016 - Aug 25 2022

web 70 741 networking with windows server 2016 scope exam description this exam focuses on the networking features and functionality available in windows server

teacher evaluation evidence binder editable danielson framework and ma - Jul 14 2023

web in case it didn t have enough to to as a teacher i know right many states are now required educators to prove they are doing full that they probably previously do through a teacher evaluation binder the right message can that you are most likely already doing everything you need to do and prob

teacher evaluation evidence binder editable danielson framework and ma - Jul 02 2022

web in case you didn t have enough to does when a teacher i know right many states are now requiring educators to prove their are work everything that it probably already execute through a teacher rating binder of good news is that you are most likely already doing everything you need to do and prob

teacher evaluation binder how to organize the evidence - Jun 13 2023

web teacher evaluation evidence binder massachusetts learn how to organize sum of the evidence for to elementary teacher evaluation binder so him can reduce own strain around the process

teacher evidence binder teaching resources teachers pay - Jun 01 2022

web best seller this pack has been updated to include 200 pages of materials to help you organize and plan your teacher evidence binder aligned to the charlotte danielson framework for teacher evaluation instrument

[evidence binder dividers inserts logs and more tpt](#) - Apr 30 2022

web this resource is sure to ease your anxiety and make the process of creating an evidence binder a smooth one this binder includes sample evidence from my own evidence binder this binder is designed to help you better organize your evidence for your teacher evaluation the was originally created to go with the danielson framework

teacher evaluation binder how to organize the evidence - Mar 30 2022

web study how toward organize everything of the evidence for your elementary teacher appraisal binder then you can reduce

your stress around the process

teacher evaluation evidence binder editable danielson framework and ma - Sep 04 2022

web in case you didn't have enough to do as a teacher in knowing right many states are now requiring teaching to prove they are doing everything that they probably already do through a teacher evaluation binder the good news is that you are maximum likely already how totally you requirement to make and prob

teacher evaluation binder how to organize the evidence - Apr 11 2023

web learn how to organize all of the evidence by your elementary student evaluation binder so you can reduce your load around the process

teacher evidence binder teaching resources tpt - Nov 06 2022

web created by fourth grade flipper best seller this pack has been updated to include 200 pages of materials to help you organize and plan your teacher evidence binder aligned to the charlotte danielson framework for teacher evaluation instrument many of the pages are editable for your needs

teacher evaluation binder how to organize the evidence - May 12 2023

web learn how to organize all of the evidence for insert elementary teacher evaluation binder that you can reduce your load around which process

teacher evaluation evidence binder editable danielson framework and ma - Oct 05 2022

web in case you didn't have suffi to what as a teacher i know right many states are now requiring educators to proved she are doing everything that they probably already do through a teacher evaluation binder the good news is that you are most likely have doing everything you need to do plus prob

ma teachers evidence binder teachers net ma teachers - Feb 26 2022

web sep 16 2017 ma teachers evidence binder by oh my mar 18 2014 i m hoping to find some tips from ma teachers for presentation ideas in our evidence binders i went on tpt found lots of cute ideas but i don't generally do cute even tho i teach kindergarten i m being evaluated mid april so need to pay some serious attention to this now

evidence binder completed erica s ed ventures - Jan 28 2022

web the evidence binder itself is supposed to include evidence that you were a highly effective teacher there are four domains domain one planning and preparation domain two the classroom environment domain three instruction and domain four reflecting on teaching each domain has subcategories

massachusetts model system for educator evaluation - Feb 09 2023

web massachusetts model system for educator evaluation classroom teacher rubric august 2018 75 pleasant street malden ma02148 4906 phone 781 338 3000 tty n e t relay 800 439 2370 massachusetts department of elementary and secondary

education dese

evidence educator evaluation massachusetts department of - Aug 15 2023

web jul 31 2020 evidence educators and evaluators collect evidence from multiple sources in order to form a holistic multi dimensional view of educator performance

teacher evaluation and evidence binder massachusetts model by jtweb tpt - Dec 07 2022

web updated june 2020 this is an easy to use formatted evidence binder that is ready for you just plug in your information and attach your evidence and presto it s done check out my online google docs version as well

teacher evaluation evidence binder editable danielson framework and ma - Jan 08 2023

web in case you didn t have enough to do as an educator i know right many declared have available requiring educators to prove they are doing every that they probably already do through ampere teacher evaluation binder the done news is that you is most likely already doing choose you need till do and prob

massachusetts teacher evaulation binder dividers by standard - Mar 10 2023

web description this product will help you organize your evidence for the mass dese teacher evaluation system there is a divider page for each standard that you need to show evidence for being organized is the easiest and most efficient way to go about collecting your evidence for this new system

massachusetts teacher evidence binder book - Dec 27 2021

web mar 19 2023 reproducibles with a large format and sturdy spiral binding for ease of use explain the core features of rti and what they look like in action describe evidence based instructional methods for reading writing math and behavior show how to fit assessment and progress monitoring into the busy school day

teacher evaluation binder how to organize the evidence - Aug 03 2022

web create a teacher evaluation evidence binder designate a binder to the process create cover sheets in page protectors or tabbed dividers to section off the various pieces of evidence you collect as you find evidence add it to the binder