

# What Are The Different Methods For Circuit Analysis?

- Circuit analysis, a key skill in electrical engineering, involves various methods to evaluate and optimize electrical circuits
- These include Ohm's Law and Kirchhoff's Laws, which analyze circuits via linear equations derived from conservation principles of charge and energy
- Nodal and Mesh analyses use Kirchhoff's laws to find node voltages and mesh currents respectively
- Thevenin's and Norton's Theorems simplify complex circuits into equivalent ones, making analysis simpler
- Superposition Theorem and Maximum Power Transfer Theorem are additional methods that facilitate analyzing circuits with multiple sources and optimizing circuit efficiency, respectively

*It can be very careful about the sign of the answers.*

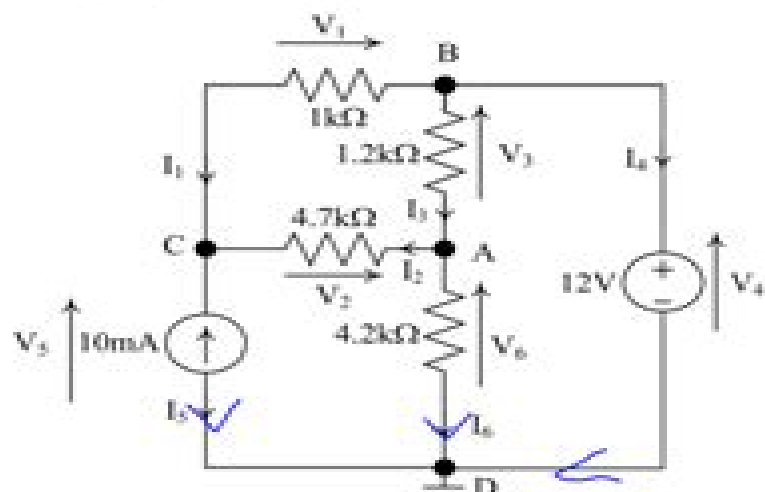


Figure 1: Circuit Schematic for Question (S)-(15)

## Summary

Table 1 Comparison of Nodal and Fundamental Cutset Analyses

Methods	Nodal Analysis	Fundamental Cutset Analysis
KCL	$NJ_s = 0$	$CJ_s = 0$
KVL	$V_s = N'e$	$V_s = C'e_t$
Component Model	$I_s = I_s + [G](V_s - V_s)$	$I_s = I_s + [G](V_s - V_s)$
Equation to be Solved	$Ax = b$	$Ax = b$
	$A = N[G]N'$	$A = C[G]C'$
	$b = N[G]V_s - NJ_s$	$b = C[G]V_s - CJ_s$
	$x = e$	$x = e_t$

$e$  : node voltage vector

$e_t$  : tree branch voltage vector

# Circuit Analysis For Dummies Jstoreore

**Raffaela Di Napoli**



## **Circuit Analysis For Dummies Jstoreore:**

If you ally need such a referred **Circuit Analysis For Dummies Jstoreore** books that will provide you worth, acquire the agreed best seller from us currently from several preferred authors. If you desire to hilarious books, lots of novels, tale, jokes, and more fictions collections are next launched, from best seller to one of the most current released.

You may not be perplexed to enjoy every ebook collections Circuit Analysis For Dummies Jstoreore that we will utterly offer. It is not just about the costs. Its more or less what you habit currently. This Circuit Analysis For Dummies Jstoreore, as one of the most practicing sellers here will enormously be accompanied by the best options to review.

<https://py.bijouxmedusa.com/data/scholarship/Documents/Microelectronics%20Circuits%205th%20Edition%20Exercises%20Solution.pdf>

## **Table of Contents Circuit Analysis For Dummies Jstoreore**

1. Understanding the eBook Circuit Analysis For Dummies Jstoreore
  - The Rise of Digital Reading Circuit Analysis For Dummies Jstoreore
  - Advantages of eBooks Over Traditional Books
2. Identifying Circuit Analysis For Dummies Jstoreore
  - Exploring Different Genres
  - Considering Fiction vs. Non-Fiction
  - Determining Your Reading Goals
3. Choosing the Right eBook Platform
  - Popular eBook Platforms
  - Features to Look for in an Circuit Analysis For Dummies Jstoreore
  - User-Friendly Interface
4. Exploring eBook Recommendations from Circuit Analysis For Dummies Jstoreore
  - Personalized Recommendations
  - Circuit Analysis For Dummies Jstoreore User Reviews and Ratings
  - Circuit Analysis For Dummies Jstoreore and Bestseller Lists

5. Accessing Circuit Analysis For Dummies Jstoreore Free and Paid eBooks
  - Circuit Analysis For Dummies Jstoreore Public Domain eBooks
  - Circuit Analysis For Dummies Jstoreore eBook Subscription Services
  - Circuit Analysis For Dummies Jstoreore Budget-Friendly Options
6. Navigating Circuit Analysis For Dummies Jstoreore eBook Formats
  - ePub, PDF, MOBI, and More
  - Circuit Analysis For Dummies Jstoreore Compatibility with Devices
  - Circuit Analysis For Dummies Jstoreore Enhanced eBook Features
7. Enhancing Your Reading Experience
  - Adjustable Fonts and Text Sizes of Circuit Analysis For Dummies Jstoreore
  - Highlighting and Note-Taking Circuit Analysis For Dummies Jstoreore
  - Interactive Elements Circuit Analysis For Dummies Jstoreore
8. Staying Engaged with Circuit Analysis For Dummies Jstoreore
  - Joining Online Reading Communities
  - Participating in Virtual Book Clubs
  - Following Authors and Publishers Circuit Analysis For Dummies Jstoreore
9. Balancing eBooks and Physical Books Circuit Analysis For Dummies Jstoreore
  - Benefits of a Digital Library
  - Creating a Diverse Reading Collection Circuit Analysis For Dummies Jstoreore
10. Overcoming Reading Challenges
  - Dealing with Digital Eye Strain
  - Minimizing Distractions
  - Managing Screen Time
11. Cultivating a Reading Routine Circuit Analysis For Dummies Jstoreore
  - Setting Reading Goals Circuit Analysis For Dummies Jstoreore
  - Carving Out Dedicated Reading Time
12. Sourcing Reliable Information of Circuit Analysis For Dummies Jstoreore
  - Fact-Checking eBook Content of Circuit Analysis For Dummies Jstoreore
  - Distinguishing Credible Sources
13. Promoting Lifelong Learning

- Utilizing eBooks for Skill Development
  - Exploring Educational eBooks
14. Embracing eBook Trends
- Integration of Multimedia Elements
  - Interactive and Gamified eBooks

### **Circuit Analysis For Dummies Jstoreore Introduction**

Circuit Analysis For Dummies Jstoreore Offers over 60,000 free eBooks, including many classics that are in the public domain. Open Library: Provides access to over 1 million free eBooks, including classic literature and contemporary works. Circuit Analysis For Dummies Jstoreore Offers a vast collection of books, some of which are available for free as PDF downloads, particularly older books in the public domain. Circuit Analysis For Dummies Jstoreore : This website hosts a vast collection of scientific articles, books, and textbooks. While it operates in a legal gray area due to copyright issues, its a popular resource for finding various publications. Internet Archive for Circuit Analysis For Dummies Jstoreore : Has an extensive collection of digital content, including books, articles, videos, and more. It has a massive library of free downloadable books. Free-eBooks Circuit Analysis For Dummies Jstoreore Offers a diverse range of free eBooks across various genres. Circuit Analysis For Dummies Jstoreore Focuses mainly on educational books, textbooks, and business books. It offers free PDF downloads for educational purposes. Circuit Analysis For Dummies Jstoreore Provides a large selection of free eBooks in different genres, which are available for download in various formats, including PDF. Finding specific Circuit Analysis For Dummies Jstoreore, especially related to Circuit Analysis For Dummies Jstoreore, might be challenging as theyre often artistic creations rather than practical blueprints. However, you can explore the following steps to search for or create your own Online Searches: Look for websites, forums, or blogs dedicated to Circuit Analysis For Dummies Jstoreore, Sometimes enthusiasts share their designs or concepts in PDF format. Books and Magazines Some Circuit Analysis For Dummies Jstoreore books or magazines might include. Look for these in online stores or libraries. Remember that while Circuit Analysis For Dummies Jstoreore, sharing copyrighted material without permission is not legal. Always ensure youre either creating your own or obtaining them from legitimate sources that allow sharing and downloading. Library Check if your local library offers eBook lending services. Many libraries have digital catalogs where you can borrow Circuit Analysis For Dummies Jstoreore eBooks for free, including popular titles. Online Retailers: Websites like Amazon, Google Books, or Apple Books often sell eBooks. Sometimes, authors or publishers offer promotions or free periods for certain books. Authors Website Occasionally, authors provide excerpts or short stories for free on their websites. While this might not be the Circuit Analysis For Dummies Jstoreore full book , it can give you a taste of the authors writing style. Subscription Services Platforms

like Kindle Unlimited or Scribd offer subscription-based access to a wide range of Circuit Analysis For Dummies Jstoreore eBooks, including some popular titles.

### FAQs About Circuit Analysis For Dummies Jstoreore Books

1. Where can I buy Circuit Analysis For Dummies Jstoreore books? Bookstores: Physical bookstores like Barnes & Noble, Waterstones, and independent local stores. Online Retailers: Amazon, Book Depository, and various online bookstores offer a wide range of books in physical and digital formats.
2. What are the different book formats available? Hardcover: Sturdy and durable, usually more expensive. Paperback: Cheaper, lighter, and more portable than hardcovers. E-books: Digital books available for e-readers like Kindle or software like Apple Books, Kindle, and Google Play Books.
3. How do I choose a Circuit Analysis For Dummies Jstoreore book to read? Genres: Consider the genre you enjoy (fiction, non-fiction, mystery, sci-fi, etc.). Recommendations: Ask friends, join book clubs, or explore online reviews and recommendations. Author: If you like a particular author, you might enjoy more of their work.
4. How do I take care of Circuit Analysis For Dummies Jstoreore books? Storage: Keep them away from direct sunlight and in a dry environment. Handling: Avoid folding pages, use bookmarks, and handle them with clean hands. Cleaning: Gently dust the covers and pages occasionally.
5. Can I borrow books without buying them? Public Libraries: Local libraries offer a wide range of books for borrowing. Book Swaps: Community book exchanges or online platforms where people exchange books.
6. How can I track my reading progress or manage my book collection? Book Tracking Apps: Goodreads, LibraryThing, and Book Catalogue are popular apps for tracking your reading progress and managing book collections. Spreadsheets: You can create your own spreadsheet to track books read, ratings, and other details.
7. What are Circuit Analysis For Dummies Jstoreore audiobooks, and where can I find them? Audiobooks: Audio recordings of books, perfect for listening while commuting or multitasking. Platforms: Audible, LibriVox, and Google Play Books offer a wide selection of audiobooks.
8. How do I support authors or the book industry? Buy Books: Purchase books from authors or independent bookstores. Reviews: Leave reviews on platforms like Goodreads or Amazon. Promotion: Share your favorite books on social media or recommend them to friends.
9. Are there book clubs or reading communities I can join? Local Clubs: Check for local book clubs in libraries or

community centers. Online Communities: Platforms like Goodreads have virtual book clubs and discussion groups.

10. Can I read Circuit Analysis For Dummies Jstoreore books for free? Public Domain Books: Many classic books are available for free as they're in the public domain. Free E-books: Some websites offer free e-books legally, like Project Gutenberg or Open Library.

### **Find Circuit Analysis For Dummies Jstoreore :**

*microelectronics circuits 5th edition exercises solution*

[mechanical response of engineering materials](#)

*missing restaurant owner lab activity answers*

**mechanics of materials hibbeler 6th edition download**

*media arabic a coursebook for reading arabic news id559 pdf*

**mera bhai ka**

*melacak lokasi seseorang lewat nomor hp 100 work*

**melihat video pemerkosaan**

[mercedes benz om 366 engine](#)

**microwave and radar engineering notes vtu**

*melt into you loving on the edge 2 roni loren*

[mental health and life skills workbook teen practical life](#)

**micro trading for a living fxf1**

[mercedes c klasse handbuch](#)

~~microelectronics circuit analysis and design 4th edition free~~

### **Circuit Analysis For Dummies Jstoreore :**

*benny hinn the blood of jesus 2 youtube - Oct 27 2021*

web the blood of jesus christ fire conferencebaltimore mdmay 2009benny hinn ministries bennyhinn org

**applying the blood of jesus pt 2 benny hinn ministries - Apr 13 2023**

web job 1 9 10 tells us the five specific areas that the blood covers you your house and family your possessions and property your endeavors and your influence truly in today s world of pandemics uncertainty and unrest learning how to plead christ s blood over these five areas can mean the difference between life and death

**the glorious eternal power blood of jesus benny hinn ministries** - Dec 29 2021

web in this powerful teaching pastor benny shares what the blood does in the life of one who is surrendered to the lord jesus the scriptures have much to say concerning the blood in this teaching you ll begin to understand that god has given his people dominion through the blood of jesus

**how to apply the blood of jesus pastor benny hinn s** - Feb 28 2022

web pastor benny hinn s messages this week have all dealt with the importance of the blood of jesus and on today s program he reaches back into the historical record in the book of leuiticus to examine how we are to apply the blood

**benny hinn the power of the blood of jesus preacher 1** - May 02 2022

web please share this video to view it the power of the blood of jesus to give please visit support us to give through paypal support us or text bhm to 45777 follow pastor benny hinn on social facebook support us twitter support us instagram support us youtube support us ignite your faith by joining

**benny hinn the blood of jesus christ youtube** - Aug 17 2023

web jul 12 2015 san ramon california july 12 2015 bennyhinn org facebook com pages bringbackthecross youtube 439764009437171 twitter

*applying the blood of jesus part 1 benny hinn ministries* - May 14 2023

web applying the blood of jesus to your life part 1 apply the blood pray confess the word only when we accept the blood sacrifice will we be accepted miracles are an intrinsic part of your covenant relationship with almighty god

**benny hinn the blood of jesus 1 youtube** - Jun 15 2023

web jun 17 2009 the blood of jesus christ fire conferencebaltimore mdmay 2009benny hinn ministries bennyhinn org

the blood benny hinn google books - Jun 03 2022

web benny hinn unlocks the reality of the power of the blood of jesus in this book which includes an interactive study guide using accounts of healings salvation and miraculous

*what the blood of jesus will do for you benny hinn ministries* - Jan 30 2022

web the blood of jesus was shed for your salvation and healing and today pastor benny hinn examines specific results which will occur when you apply that blood on your life and the lives of your loved ones

*the right position for prayer today s key scripture therefore* - Dec 09 2022

web today s key scripture therefore brethren having boldness to enter the holiest by the blood of jesus by a new and living way which he consecrated for us through the veil that is his flesh and having a high priest over the house of god let us draw near with a true heart in full assurance of faith having our hearts sprinkled from an evil conscience and

*the glorious power of the blood of jesus benny hinn* - Oct 19 2023

web 0 00 2 20 02 the glorious power of the blood of jesus benny hinn sunday morning service jesus image 1 5m subscribers  
subscribe like share 821k views streamed 1 year ago jesusimage

*pastor benny hin tithe blood of jesus - Oct 07 2022*

web think about it god almighty declares clearly in his word that the tither will be prosperous so prosperous in fact that there  
he then begins to give us the seven most amazing blessings of the tithe 1 if r will not open you the windows of heaven verse  
10 the windows of heaven always deal with revival the

**benny hinn the blood of jesus 5 youtube** - Sep 25 2021

web the blood of jesus christ fire conferencebaltimore mdmay 2009benny hinn ministries bennyhinn org

*benny hinn how to apply the blood of jesus online sermons - Aug 05 2022*

web nov 18 2021 benny hinn bring back the cross part 3 15 11 2021 17 30 benny hinn pastor benny hinn s messages this  
week have all dealt with the importance of the blood of jesus and on today s program he reaches back into the historical  
record in the book of leviticus to examine how we are to apply the blood when the biblical pattern is

the love of the father feat pastor benny hinn imdb - Apr 01 2022

web imdb is the world s most popular and authoritative source for movie tv and celebrity content find ratings and reviews for  
the newest movie and tv shows get personalized recommendations and learn where to watch across hundreds of streaming  
providers

**benny hinn the blood of jesus 4 youtube** - Nov 27 2021

web jun 17 2009 the blood of jesus christ fire conferencebaltimore mdmay 2009benny hinn ministries bennyhinn org

**benny hinn sings oh the blood of jesus youtube** - Jan 10 2023

web miracle service new york june 1 2013 bennyhinn org facebook com pages bringbackthecross

the power of the blood pastor benny hinn teaching youtube - Sep 06 2022

web aug 17 2020 join pastor benny hinn in this teaching clip the power of the blood from dallas tx join bennyhinninstitute  
org to be part of the heart to heart interactiv

what the blood of jesus will do for you a special sermon from benny hinn - Mar 12 2023

web apr 7 2020 benny hinn ministries 567k subscribers subscribe like share save 21k views 3 years ago the blood of jesus  
was shed for your salvation and healing and today pastor benny hinn examines

*benny hinn amazing teaching on the blood of jesus christ - Nov 08 2022*

web oct 18 2021 benny hinn be healed stay healed part 1 15 11 2021 10 30 benny hinn focusing on the tabernacle in the old  
testament pastor benny shows how every believer today must understand the importance of the power of the blood of jesus  
christ without that power it is impossible to know god

**pleading the blood of jesus prayer for benny hinn passion for** - Jul 04 2022

web jul 8 2020 i call forth in the name of jesus all of god s plans and purposes for my family and me as for me and my house we shall serve the lord satan the blood of jesus is against you and you have no authority over my life i pray for pastor benny suzanne and for his children i cover them in the name of jesus with the blood of the lamb of

**how to apply the blood of jesus a special sermon from benny hinn** - Sep 18 2023

web apr 9 2020 537k subscribers subscribe like 49k views 3 years ago pastor benny hinn s messages this week have all dealt with the importance of the blood of jesus and on today s program he reaches

**how to apply the blood of jesus benny hinn ministries** - Jul 16 2023

web pastor benny hinn s messages this week have all dealt with the importance of the blood of jesus and on today s program he reaches back into the historical record in the book of leuiticus to examine how we are to apply the blood

**the blood of jesus digital download benny hinn ministries** - Feb 11 2023

web in this powerful series pastor benny traced the trail of blood through the old testament that led to the cross where the blood of jesus christ was shed seven times

*Što je sanjarenje iep hr* - Dec 31 2022

web iz knjige s onu stranu zrcala autor i istraživanja pokazuju da većina ljudi svakodnevno sanjari ali da to najviše čine mladi ljudi s godinama se vrijeme provedeno u sanjarenju značajno smanjuje oko četiri posto osoba sanjari tako zorno da ih zovemo osobama izrazito sklonima sanjarenju u jednom istraživanju proučavano je 26

**s onu stranu zrcala ws 1 ps2pdf com** - Jun 24 2022

web s onu stranu zrcala 3 3 feral tribune oxford university press Časopis za književnost umjetnost i kulturna pitanja hrvatska bibliografija hrvatska književna revija most s putnikom kodovi identiteta kazališni osijek pljuska u ruci nevjerica nesаница the history of the science fiction magazine republika anna karenina solidarity croatica

**ovisnost o drogi iep hr** - Jul 26 2022

web iz knjige s onu stranu zrcala autor i dubravka miljković majda rijavec ako duže vremena uzimamo neku drogu bit će nam potrebne sve veće količine da bismo osjetili njezine učinke nekomu tko rijetko pije i jedna čašica udari u glavu no onomu koji pije svaki dan za isti će učinak biti potrebno sve više čašica

s onu stranu zrcala psihologija alternativnih stanja svijesti goodreads - Sep 08 2023

web jan 1 1998 s onu stranu zrcala psihologija alternativnih stanja svijesti dubravka miljković majda rijavec 4 20 10 ratings2 reviews iskoristite ovu knjigu kad poželim pročitati neku knjigu napišem ju izjavio je benjamin disraeli

**ples s onu stranu zrcala kulturpunkt** - Feb 01 2023

web u odnosu na zemlju čudesa s onu stranu zrcala alisa pronalazi svijet dublje tjeskobe i melankolije paralelni univerzum

želja koje se ostvaruju kako bi se razotkrile u svojoj nedostatnosti i nepoželjnosti alisa odrasta i odrastanjem se  
[s onu stranu zrcala mail4 bec systems com](#) - Feb 18 2022

web kindly say the s onu stranu zrcala is universally compatible with any devices to read s onu stranu zrcala 2020 11 18  
tyrese marks koraknuti hrvatsko narodno kazaliste deacon has an ugly history a history that broke him leaving him a ghost of  
a man out of necessity he left the normal world to descend into the criminal world and found he fit

**s onu stranu zrcala zelena knjižara** - Sep 27 2022

web knjiga knjige knjižara online prodaja knjiga knjižare u zagrebu vrt gljive online bookshop

**s onu stranu zrcala ead3 archivists org** - Aug 07 2023

web s onu stranu zrcala s onu stranu zrcala 2 downloaded from ead3 archivists org on 2021 08 01 by guest pljuska u ruci  
dubravka ugrešić 1989 izvanredno stanje zvonimir mrkonjić 1991 unutarnji rukopis opaske o hrvatskoj prozi branimir donat  
1972 radovi 1984 revija 1974 približavanje beskraju branimir donat 1979 savremenik 1923 republika

**tureng sira numarası türkçe İngilizce sözlük** - Mar 22 2022

web teşkilat ve konuş şeması sıra numarası troop programme sequence number i 18 askeri yurt içi yük gönderme sıra  
numarası domestic freight route order number i İngilizce türkçe online sözlük tureng kelime ve terimleri çevir ve farklı  
aksanlarda sesli dinleme rotation number sıra numarası reel sequence number makara

[s onu stranu zrcala ai classmonitor com](#) - Jul 06 2023

web 2 s onu stranu zrcala 2022 06 12 asher holden približavanje beskraju mit press hrvatska književna revija pismo  
nebeskome gromu simon and schuster a political sociologist examines the concept of universal egalitarian citizenship and  
assesses the prospects for developing democratic solidarity at the global level biser hrvatsko narodno

[s onu stranu zrcala psihologijja alternativnih stanja svijesti](#) - Oct 09 2023

web s onu stranu zrcala psihologijja alternativnih stanja svijesti authors dubravka miljković majda rijavec publisher iep 1998  
isbn 9539630541 9789539630544 length 284 pages export

**s onu stranu zrcala** - Jun 05 2023

web s onu stranu zrcala s onu stranu zrcala proizvod je trenutno nedostupan psihologijja alternativnih stanja svijesti autor i  
dubravka miljković majda rijavec cijena 80 02 hrk 10 62 naruči format 17x24cm broj stranica 284 uvez meki knjiga je  
trenutno rasprodana riječ autorica iskoristite ovu knjigu

[s onu stranu ogledala s onu bondu zarcala facebook](#) - Apr 03 2023

web ova grupa nema cilja jedini cilj je da ako se pojavi neki cilj grupe taj odma bude pretvoren u zajebanciju i time se  
omogućući daljnje besciljno

[s onu stranu zrcala help environment harvard edu](#) - Oct 29 2022

web sharpness of this s onu stranu zrcala can be taken as with ease as picked to act s onu stranu zrcala dubravka miljković 1998 danas 1990 gordogan 1985 hrvatska prosvjeta 1934 nevjerica nesanica hrvoje pejaković 2003 naše teme 1975 marulić 2001 hrvatska književna revija outsidersi 1998 kazališni osijek antonija bogner

*s onu stranu zrcala old syndeohro com* - Mar 02 2023

web s onu stranu zrcala 1 s onu stranu zrcala kazališni osijek nada kuća u elipsi vrta revija biser pljuska u ruci the history of the science fiction magazine moderna vremena naše teme republika povijest hrvatske književnosti knj od gundulićeva poroda od tmine do kačićeva razgovora ugodnog naroda slovinskoga iz 1756

**Što je senzorna deprivacija iep hr** - Aug 27 2022

web iz knjige s onu stranu zrcala autor i dubravka miljković majda rijavec ako naša svijest uobičajeno reagira na promjene u okolini razumno je očekivati da će se nestane li tih izvanjskih promjena promijeniti svijest sada ćemo vam to objasniti

*tureng onu türkçe İngilizce sözlük* - May 24 2022

web birinin ilgisini çekecek onu ilgilendiren konular matters of interest to someone i 7 genel konudan türeyerek onu karmaşıklaştıran sorun ramification i 8 genel konudan türeyerek onu karmaşıklaştıran sorunlar

s onu stranu zrcala willowwoodco - Apr 22 2022

web mar 1 2023 we have the funds for you this proper as well as easy habit to acquire those all we meet the expense of s onu stranu zrcala and numerous books collections from fictions to scientific research in any way accompanied by them is this s onu stranu zrcala that can be your partner pismo nebeskome gromu anđelko vuletić 1996 forum 1989

s onu stranu zrcala ai classmonitor com - Nov 29 2022

web 2 s onu stranu zrcala 2022 07 19 phoebe bryson koraknuti hrvatsko narodno kazaliste a fresh practical approach to leo tolstoy s enduring classic anna karenina considered one of the greatest novels ever written kolo oxford university press hrvatska književna revija consciousness scientific challenge of the 21st century mit

*s onu stranu zrcala vbz online bookstore* - May 04 2023

web naručite u vbz online knjižari poznati naslov s onu stranu zrcala autora miljković dubravka rijavec majda pronadite najbolje cijene uz najveći izbor brza dostava

**realidades 1 spanishdictionary com** - Jul 25 2022

web this mini packet is meant to go along with the spanish textbook realidades level 1 it contains the answer blanks to every activity in the textbook for chapter 7b over the

**results for realidades 1 4a question tpt** - Mar 21 2022

web sep 29 2023 realidades 1 packet answers 1 1 downloaded from uniport edu ng on september 29 2023 by guest realidades 1 packet answers if you ally dependence

*realidades 1 communication workbook 1st edition quizlet* - May 03 2023

web super improved spanish 1 workbook used in conjunction with comprehensible input or reading based learning and based on a combination of the santillana and realidades

*realidades 2 1st edition solutions and answers quizlet* - Jun 23 2022

web realidades 1 4a guided packet answers 5 5 realidades 1 chapter 6a fecha core practice 4b2 realidades 1 capitulo 4a worksheets learny kidsrealidades 1 capitulo

**realidades 1 1st edition solutions and answers quizlet** - Aug 06 2023

web subject image created date 9 24 2012 9 57 03 am

*results for realidades 1 7b packet tpt* - May 23 2022

web 130 results sort by relevance view list asking and responding using basic question words realidades 1 4a created by spanish and french lessons levels 1 4 this mini

**realidades 1 practice workbook 1st edition** - Oct 08 2023

web realidades 1 guided practice answers identifier ark ark 13960 s28xk028hdg ocr tesseract 5 3 0 3 g9920 ocr detected lang an ocr detected lang conf 1 0000

**realidades 1 capitulo 4a worksheets learny kids** - Sep 26 2022

web learn vocabulary and grammar topics featured in the realidades 1 textbook using word lists articles and quizzes created by spanishdictionary com isbn 0 13 319965 7

*pearsonschool com worldlanguages pearson education* - Dec 30 2022

web pages 10 15 answer keys that you can project onto a screen or read out loud this packet is part of my spanish 1 packet pack which consists of packets from chapters 1a to

**realidades autentico level 1 2b packet for practice** - Apr 02 2023

web now with expert verified solutions from realidades practice workbook 3 1st edition you ll learn how to solve your toughest homework problems our resource for realidades

**realidades 1 packet answers uniport edu ng** - Jan 19 2022

web find step by step solutions and answers to realidades 1 9780133691726 as well as thousands of textbooks so you can move forward with confidence now with expert

*realidades 1 1a packet teaching resources teachers pay* - Nov 28 2022

web realidades 1 capitulo 4a displaying top 8 worksheets found for realidades 1 capitulo 4a some of the worksheets for this concept are realidades 1 guided practice workbook

**spanish realidades 1a packet spanish likes dislikes tpt** - Feb 17 2022

web find step by step solutions and answers to realidades 1 9780131340916 as well as thousands of textbooks so you can move forward with confidence now with expert

[realidades 1 packet worksheets teaching resources](#) - Mar 01 2023

web realidades 1 4 gives teachers a wide range of tools and support to help all students develop spanish proficiency and cultural understanding the articulated sequence

**rodriguez marcial spanish 1 realidades textbook** - Aug 26 2022

web find step by step solutions and answers to realidades 2 9780130359513 as well as thousands of textbooks so you can move forward with confidence

[realidades level 1 writing audio and video workbook](#) - Jun 04 2023

web with expert solutions for thousands of practice problems you can take the guesswork out of studying and move forward with confidence find step by step solutions and answers to

*realidades 1 4a guided packet answers pdf stage gapinc* - Apr 21 2022

web description this product is a spanish likes dislikes and activities spanish hobbies pastimes printable packet that pairs with realidades 1a qué te gusta hacer unit or

[realidades practice workbook 3 1st edition solutions and](#) - Jan 31 2023

web browse realidades 1 1a packet resources on teachers pay teachers a marketplace trusted by millions of teachers for original educational resources browse catalog grades

**realidades 11 guided practices grammar answers** - Jul 05 2023

web textbook solutions verified chapter 0 para empezar page 4 actividad 6 page 5 actividad 7a page 5 actividad 7b page 6 actividad 8 exercise 1 exercise 2 exercise 3 exercise 4

**realidades 1 guided practice answers archive org** - Sep 07 2023

web with expert solutions for thousands of practice problems you can take the guesswork out of studying and move forward with confidence find step by step solutions and answers to

[realidades 1 1st edition solutions and answers quizlet](#) - Nov 16 2021

[realidades 1 1st edition solutions and answers quizlet](#) - Dec 18 2021

**realidades auténtico level 1 chapter 3a packet for practice** - Oct 28 2022

web oct 6 2020 byot packet campus tour virtual class of 2023 senior week letter course request tutorial daily schedule drop add request form phase 2 email

