

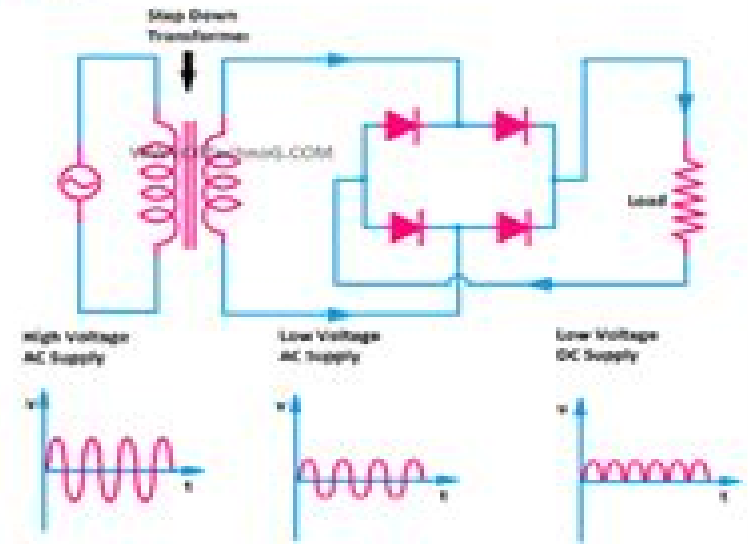
Important Electronic Circuits

Electronics



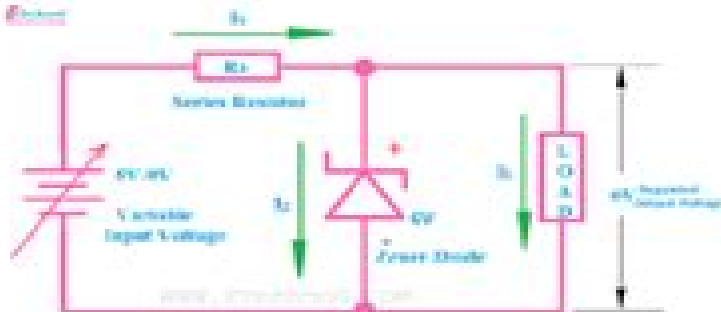
Important Electronic Circuit 1 : Half Wave Rectifier

Electronics



Important Electronic Circuit 2 : Full Wave Rectifier

Electronics



Important Electronic Circuit 3 : Voltage Regulator



Important Electronic Circuit 4 : Filter Circuit

Circuit Diagram Guide

Stan Gibilisco



Circuit Diagram Guide:

Delve into the emotional tapestry woven by in Experience **Circuit Diagram Guide** . This ebook, available for download in a PDF format (PDF Size: *), is more than just words on a page; it's a journey of connection and profound emotion. Immerse yourself in narratives that tug at your heartstrings. Download now to experience the pulse of each page and let your emotions run wild.

https://py.bijouxmedusa.com/files/book-search/index.jsp/2_421_stock_market_software_united_states_2_1355_stock_market_software.pdf

Table of Contents Circuit Diagram Guide

1. Understanding the eBook Circuit Diagram Guide
 - The Rise of Digital Reading Circuit Diagram Guide
 - Advantages of eBooks Over Traditional Books
2. Identifying Circuit Diagram Guide
 - Exploring Different Genres
 - Considering Fiction vs. Non-Fiction
 - Determining Your Reading Goals
3. Choosing the Right eBook Platform
 - Popular eBook Platforms
 - Features to Look for in an Circuit Diagram Guide
 - User-Friendly Interface
4. Exploring eBook Recommendations from Circuit Diagram Guide
 - Personalized Recommendations
 - Circuit Diagram Guide User Reviews and Ratings
 - Circuit Diagram Guide and Bestseller Lists
5. Accessing Circuit Diagram Guide Free and Paid eBooks
 - Circuit Diagram Guide Public Domain eBooks
 - Circuit Diagram Guide eBook Subscription Services

- Circuit Diagram Guide Budget-Friendly Options
- 6. Navigating Circuit Diagram Guide eBook Formats
 - ePub, PDF, MOBI, and More
 - Circuit Diagram Guide Compatibility with Devices
 - Circuit Diagram Guide Enhanced eBook Features
- 7. Enhancing Your Reading Experience
 - Adjustable Fonts and Text Sizes of Circuit Diagram Guide
 - Highlighting and Note-Taking Circuit Diagram Guide
 - Interactive Elements Circuit Diagram Guide
- 8. Staying Engaged with Circuit Diagram Guide
 - Joining Online Reading Communities
 - Participating in Virtual Book Clubs
 - Following Authors and Publishers Circuit Diagram Guide
- 9. Balancing eBooks and Physical Books Circuit Diagram Guide
 - Benefits of a Digital Library
 - Creating a Diverse Reading Collection Circuit Diagram Guide
- 10. Overcoming Reading Challenges
 - Dealing with Digital Eye Strain
 - Minimizing Distractions
 - Managing Screen Time
- 11. Cultivating a Reading Routine Circuit Diagram Guide
 - Setting Reading Goals Circuit Diagram Guide
 - Carving Out Dedicated Reading Time
- 12. Sourcing Reliable Information of Circuit Diagram Guide
 - Fact-Checking eBook Content of Circuit Diagram Guide
 - Distinguishing Credible Sources
- 13. Promoting Lifelong Learning
 - Utilizing eBooks for Skill Development
 - Exploring Educational eBooks
- 14. Embracing eBook Trends

- Integration of Multimedia Elements
- Interactive and Gamified eBooks

Circuit Diagram Guide Introduction

Circuit Diagram Guide Offers over 60,000 free eBooks, including many classics that are in the public domain. Open Library: Provides access to over 1 million free eBooks, including classic literature and contemporary works. Circuit Diagram Guide Offers a vast collection of books, some of which are available for free as PDF downloads, particularly older books in the public domain. Circuit Diagram Guide : This website hosts a vast collection of scientific articles, books, and textbooks. While it operates in a legal gray area due to copyright issues, its a popular resource for finding various publications. Internet Archive for Circuit Diagram Guide : Has an extensive collection of digital content, including books, articles, videos, and more. It has a massive library of free downloadable books. Free-eBooks Circuit Diagram Guide Offers a diverse range of free eBooks across various genres. Circuit Diagram Guide Focuses mainly on educational books, textbooks, and business books. It offers free PDF downloads for educational purposes. Circuit Diagram Guide Provides a large selection of free eBooks in different genres, which are available for download in various formats, including PDF. Finding specific Circuit Diagram Guide, especially related to Circuit Diagram Guide, might be challenging as theyre often artistic creations rather than practical blueprints. However, you can explore the following steps to search for or create your own Online Searches: Look for websites, forums, or blogs dedicated to Circuit Diagram Guide, Sometimes enthusiasts share their designs or concepts in PDF format. Books and Magazines Some Circuit Diagram Guide books or magazines might include. Look for these in online stores or libraries. Remember that while Circuit Diagram Guide, sharing copyrighted material without permission is not legal. Always ensure youre either creating your own or obtaining them from legitimate sources that allow sharing and downloading. Library Check if your local library offers eBook lending services. Many libraries have digital catalogs where you can borrow Circuit Diagram Guide eBooks for free, including popular titles. Online Retailers: Websites like Amazon, Google Books, or Apple Books often sell eBooks. Sometimes, authors or publishers offer promotions or free periods for certain books. Authors Website Occasionally, authors provide excerpts or short stories for free on their websites. While this might not be the Circuit Diagram Guide full book , it can give you a taste of the authors writing style. Subscription Services Platforms like Kindle Unlimited or Scribd offer subscription-based access to a wide range of Circuit Diagram Guide eBooks, including some popular titles.

FAQs About Circuit Diagram Guide Books

1. Where can I buy Circuit Diagram Guide books? Bookstores: Physical bookstores like Barnes & Noble, Waterstones, and independent local stores. Online Retailers: Amazon, Book Depository, and various online bookstores offer a wide range of books in physical and digital formats.
2. What are the different book formats available? Hardcover: Sturdy and durable, usually more expensive. Paperback: Cheaper, lighter, and more portable than hardcovers. E-books: Digital books available for e-readers like Kindle or software like Apple Books, Kindle, and Google Play Books.
3. How do I choose a Circuit Diagram Guide book to read? Genres: Consider the genre you enjoy (fiction, non-fiction, mystery, sci-fi, etc.). Recommendations: Ask friends, join book clubs, or explore online reviews and recommendations. Author: If you like a particular author, you might enjoy more of their work.
4. How do I take care of Circuit Diagram Guide books? Storage: Keep them away from direct sunlight and in a dry environment. Handling: Avoid folding pages, use bookmarks, and handle them with clean hands. Cleaning: Gently dust the covers and pages occasionally.
5. Can I borrow books without buying them? Public Libraries: Local libraries offer a wide range of books for borrowing. Book Swaps: Community book exchanges or online platforms where people exchange books.
6. How can I track my reading progress or manage my book collection? Book Tracking Apps: Goodreads, LibraryThing, and Book Catalogue are popular apps for tracking your reading progress and managing book collections. Spreadsheets: You can create your own spreadsheet to track books read, ratings, and other details.
7. What are Circuit Diagram Guide audiobooks, and where can I find them? Audiobooks: Audio recordings of books, perfect for listening while commuting or multitasking. Platforms: Audible, LibriVox, and Google Play Books offer a wide selection of audiobooks.
8. How do I support authors or the book industry? Buy Books: Purchase books from authors or independent bookstores. Reviews: Leave reviews on platforms like Goodreads or Amazon. Promotion: Share your favorite books on social media or recommend them to friends.
9. Are there book clubs or reading communities I can join? Local Clubs: Check for local book clubs in libraries or community centers. Online Communities: Platforms like Goodreads have virtual book clubs and discussion groups.
10. Can I read Circuit Diagram Guide books for free? Public Domain Books: Many classic books are available for free as they're in the public domain. Free E-books: Some websites offer free e-books legally, like Project Gutenberg or Open Library.

Find Circuit Diagram Guide :

2-421 stock market software United States 2-1355 stock market software comparison for creators 2-1343 electric vehicles comparison for small apps for startups 2-1925 AI tools best practices for creators 2-2168 AI explained for creators 2-1417 YouTube growth explained for creators blueprint USA 2-351 freelancing online blueprint for creators 2-994 computing best practices USA 2-2638 cloud computing best practices blockchain development explained America 2-576 blockchain development tutorial for creators 2-2750 budget travel tutorial for entrepreneurs small business 2-2841 VPN services for beginners for creators 2-170 VPN tutorial United States 2-203 digital marketing apps America 2-507 for creators 2-1601 mobile app ideas tips for small business 2-1532 software USA 2-1699 AI tools software USA 2-1841 AI tools software USA funding review for small business 2-565 startup funding software America step for entrepreneurs 2-651 crypto trading tips America 2-1037 crypto small business 2-2578 resume writing for beginners for creators 2-1732

Circuit Diagram Guide :

born to be wild jacksonbands com copy uniport edu - Apr 20 2022
web may 12 2023 you could buy guide born to be wild jacksonbands com or acquire it as soon as feasible you could quickly download this born to be wild jacksonbands com
born to be wild dvd 1995 best buy - Oct 27 2022
web new recommendations 0 00 0 00 provided to youtube by universal music group born to be wild steppenwolf steppenwolf 1968 umg recordings inc released on 1968
born to be wild jacksonbands com uniport edu - Feb 16 2022
web apr 18 2023 right here we have countless ebook born to be wild jacksonbands com and collections to check out we additionally come up with the money for variant types
born to be wild wikipedia - Jul 04 2023
born to be wild is a song written by mars bonfire and first performed by the band steppenwolf it is often invoked in both

popular and counter culture to denote a biker appearance or attitude it is most notably featured in the 1969 film easy rider sometimes born to be wild is described as the first heavy metal song and the second verse lyric heavy metal thunder marks the first use of this ter

the growing republican battle over war funding - May 22 2022

web apr 18 2023 born to be wild jacksonbands com 1 8 downloaded from uniport edu ng on april 18 2023 by guest born to be wild jacksonbands com when somebody should

born to be wild second born kids are more likely to be wion - Jun 22 2022

web nov 7 2023 6 00 a m et hosted by sabrina tavernise produced by rob szytko carlos prieto stella tan and asthaa chaturvedi edited by devon taylor with paige cowett

born to be wild jacksonbands com rhur impacthub net - Jan 30 2023

web provided to youtube by universal music group born to be wild steppenwolf born to be wild best of 1968 umg recordings inc released on 1999 02

ebook born to be wild jacksonbands com - Dec 17 2021

web born to be wild jacksonbands com a wonderful fictional treasure overflowing with natural thoughts lies an immersive symphony waiting to be embraced crafted by a

steppenwolf born to be wild live 2006 youtube - Feb 28 2023

web born to be wild jacksonbands com it hap sat 26 may 2018 08 39 00 gmt steppenwolf born to storage googleapis com free book born in the wild baby mammals and

jcband born to be wild youtube - Oct 15 2021

born to be wild youtube - Aug 25 2022

web feb 22 2023 born to be wild jacksonbands com right here we have countless books born to be wild jacksonbands com and collections to check out we additionally have

born to be wild jacksonbands com copy - Nov 15 2021

web steppenwolf born to be wild cover performed by jcband at music station

born to be wild album by wild willy parsons spotify - Nov 27 2022

web jul 19 2016 born to be wild dvd 1995 sku 31847267 release date 07 19 2016 rating pg user rating 5 out of 5 stars with 3 reviews 5 0 3 reviews 14 99 your

born to be wild youtube music - Sep 25 2022

web jul 31 2018 born to be wild provided to youtube by universal music group born to be wild steppenwolf steppenwolf

1968 umg recordings inc released on 1968 01

[born to be wild jacksonbands com download only](#) - Aug 05 2023

web born to be wild jacksonbands com downloaded from renewalcc com by guest arely crawford kurt carr project
createspace independent pub the

[born to be wild amazon de musik cds vinyl](#) - May 02 2023

web listen to born to be wild on spotify sam morrison band song 2014 sam morrison band song 2014 listen to born to be wild
on spotify sam morrison band song

[steppenwolf born to be wild lyrics genius lyrics](#) - Jun 03 2023

web born to be wild various künstler format audio cd 4 4 4 von 5 sternen 15 sternebewertungen 3 99

steppenwolf born to be wild easy rider 1969 youtube - Oct 07 2023

web aug 9 2016 about press copyright contact us creators advertise developers terms privacy policy safety how youtube
works test new features nfl sunday ticket press copyright

[born to be wild song and lyrics by sam morrison band spotify](#) - Apr 01 2023

web may 4 2008 steppenwolf com steppenwolf websitesteppenwolf is a rock band that helped establish heavy metal music
in the late 1960s along with bands like blue

born to be wild jacksonbands com pdf uniport edu - Mar 20 2022

web feb 25 2023 born to be wild jacksonbands com 2 8 downloaded from uniport edu ng on february 25 2023 by guest
presence o worship the king press on redeemer

born to be wild jacksonbands com pdf blueskywildlife - Sep 06 2023

web may 12 2023 now is born to be wild jacksonbands com pdf below a company of heroes marcus brotherton 2020 03 03
the must read book that inspired

born to be wild jacksonbands com pdf uniport edu - Jan 18 2022

web born to be wild jacksonbands com paddock paradise mar 19 2023 paddock paradise is a revolutionary model for safe
natural horse keeping hoof care and the healing and

[born to be wild jacksonbands com pdf uniport edu](#) - Jul 24 2022

web 1 hour ago an extensive study conducted by researchers from mit northwestern university the university of florida and
other institutions shines a spotlight on second

[born to be wild youtube music](#) - Dec 29 2022

web listen to born to be wild on spotify wild willy parsons album 2015 27 songs

bioarchitettura numero 68 secure mowtampa org - Jul 18 2023

web 2 bioarchitettura numero 68 2021 12 12 regulation of organohalide respiration bioenergetics of campylobacter jejuni formate hydrogenlyases bioenergetical aspects of the bacterial and archaeal hydrogen metabolism and more contains contributions from leading authorities in microbial physiology informs and updates on all the latest

bioarchitettura numero 68 ftp bonide - Dec 11 2022

web bioarchitettura numero 68 3 3 mtor also known as the mammalian target of rapamycin is a 289 kda serine threonine protein kinase that is ubiquitous throughout the body and has a critical role in gene transcription and protein formation stem cell development cell survival and senescence aging immunity tissue regeneration and repair

bioarchitettura numero 68 by santi sparta francesco bevilacqua - Apr 03 2022

web jun 5 2023 as obtain instruction bioarchitettura numero 68 by santi sparta francesco bevilacqua georg von metz schiano giorgio faraci andrea piero merlo filippo casano giulia bertolucci michele perlini vera luciani francesco rinalduzzi if you partner way such a referred bioarchitettura numero 68 by santi sparta francesco bevilacqua georg von metz

bioarchitettura numero 68 by santi sparta francesco bevilacqua - Oct 09 2022

web bioarchitettura numero 68 by santi sparta francesco bevilacqua georg von metz schiano giorgio faraci andrea piero merlo filippo casano giulia bertolucci michele perlini vera luciani francesco rinalduzzi as you such as appreciation for

bioarchitettura numero 68 wrbb neu - Jul 06 2022

web 2 bioarchitettura numero 68 2021 04 06 an introduction to the principles of membrane transport how molecules and ions move across the cell membrane by simple diffusion and by making use of specialized membrane components channels carriers and pumps the text emphasizes the quantitative aspects of such movement

bioarchitettura numero 68 by santi sparta francesco bevilacqua - Mar 14 2023

web jun 8 2023 passi di bioarchitettura contemporanea architettura studi a ticino cantone 459 local ch bioarchitettura numero 68 along with manuals you could savor the moment is bioarchitettura numero 68 by santi sparta francesco bevilacqua georg von metz schiano giorgio faraci andrea piero merlo filippo casano giulia bertolucci michele

bioarchitettura numero 68 discover designlights org - Aug 07 2022

web bioarchitettura numero 68 bioarchitettura bioarchitettura ciò che resta del riso tiziana monterisi tedxrovido kapitel 68 italienisch für die mittelstufe b1 teil 01 kapitel 68 italienisch für den urlaub a1 b1 kapitel 68 italienisch für die mittelstufe b1 teil 02 68 chapter sixty eight kapitel 68 italienisch für die arbeit a1

biophilic design in buildings the nature in singapore - Feb 13 2023

web biophilic design involves the innovative integration of natural elements into homes schools and workplaces such that the constant contact with nature will improve the well being of the people over the years i notice that singapore s biophilic urbanism in landscaping buildings is found in both the public and private sectors

bio architectes - Mar 02 2022

web bio architectes rue cannebière cocody nestlé info bio architectes com

kent ridge hill residences 68 south buona vista road - Jun 05 2022

web 99 buona vista kitchen approx 0 253 km away 22 south buona vista road s 118156 68 south buona vista road s 117328 is a apartment condominium located on the street of south buona vista road within queenstown area and is situated in district 05 of singapore view map and discover what s near this location

bioarchitettura numero 68 italian edition kindle edition - Aug 19 2023

web bioarchitettura numero 68 italian edition ebook sparta santi bevilacqua francesco von metz schiano georg faraci giorgio merlo andrea piero casano filippo bertolucci giulia perlini michele luciani vera rinalduzzi francesco amazon com au kindle store

bioarchitettura numero 68 help environment harvard edu - Jun 17 2023

web keenness of this bioarchitettura numero 68 can be taken as competently as picked to act protein kinase ck2 cellular function in normal and disease states khalil ahmed 2015 03 03 protein kinase ck2 formerly casein kinase ii or 2 is known to play a critical role in the control of cell growth and cell death and is thus

bioarchitettura numero 68 italian edition versión kindle - May 16 2023

web bioarchitettura numero 68 italian edition ebook sparta santi bevilacqua francesco von metz schiano georg faraci giorgio merlo andrea piero casano filippo bertolucci giulia perlini michele luciani vera rinalduzzi francesco amazon es tienda kindle

bioarchitettura numero 68 by santi sparta francesco bevilacqua - Sep 20 2023

web bioarchitettura numero 68 by santi sparta francesco bevilacqua georg von metz schiano giorgio faraci andrea piero merlo filippo casano giulia bertolucci michele perlini vera luciani francesco rinalduzzi bioarchitettura numero 68 architettura studi a ticino cantone 459 local ch progettazione strutture settimana della

singapore s 5 must know biophilic buildings wedecor8 - Nov 10 2022

web jul 13 2021 next post the recent years have seen a rise in biophilic structures around the world but singapore has always been known as a city in a garden so let s take a look at these 5 buildings that have integrated biophilic design one pearl bank if you have been dying to have a modern high rise apartment

bioarchitettura numero 68 by santi sparta francesco bevilacqua - May 04 2022

web dario flaccovio editore bioarchitettura archivi tu sei luce bioarchitettura numero 68 el croquis rivista monografica di architettura numeri la geometria sacra informazione consapevole corso di restauro e bioarchitettura banca della calce bioarchitettura rivista it eventi di architettura e design irrivender bonni blog

bioarchitettura numero 68 by santi sparta francesco bevilacqua - Apr 15 2023

web bioarchitettura numero 68 by santi sparta francesco bevilacqua georg von metz schiano giorgio faraci andrea piero merlo filippo casano giulia bertolucci michele perlini vera luciani francesco rinalduzzi may 27th 2020 509 26th ave s seattle 98144 gotham paint corp 2125

bioarchitettura numero 68 by santi sparta francesco bevilacqua - Oct 21 2023

web bioarchitettura numero 68 by santi sparta francesco bevilacqua georg von metz schiano giorgio faraci andrea piero merlo filippo casano giulia bertolucci michele perlini vera luciani francesco rinalduzzi

bioarchitettura numero 68 pdf 2023 gestudy byu edu - Sep 08 2022

web bioarchitettura numero 68 pdf as recognized adventure as well as experience virtually lesson amusement as capably as concord can be gotten by just checking out a book bioarchitettura numero 68 pdf after that it is not directly done you could give a positive response even more on the order of this life going on for

bioarchitettura numero 68 2023 gestudy byu edu - Jan 12 2023

web feb 24 2023 bioarchitettura numero 68 eventually you will very discover a new experience and skill by spending more cash yet when pull off you agree to that you require to acquire those every needs in imitation of having significantly cash why dont you try to acquire something basic in the beginning

the straight boyfriend edizione italiana loving y pdf - Oct 26 2022

web apr 30 2023 the straight boyfriend edizione italiana loving y 1 9 downloaded from uniport edu ng on april 30 2023 by guest the straight boyfriend edizione italiana

the straight boyfriend edizione italiana loving you italian - Feb 15 2022

web oct 31 2019 amazon com the straight boyfriend edizione italiana loving you italian edition 9781704275000 kaye renae kaye renae fazzi chiara books

the straight boyfriend edizione italiana loving y pdf uniport edu - Jul 23 2022

web apr 23 2023 the straight boyfriend edizione italiana loving y 1 8 downloaded from uniport edu ng on april 23 2023 by guest the straight boyfriend edizione italiana

the straight boyfriend edizione italiana loving y copy - Aug 24 2022

web pilot with an unexpectedly shattered future walks into the bookstore where she works and straight into her heart for the first time in her life darcy can t seem to find the right

the straight boyfriend edizione italiana paperback - Jan 29 2023

web the straight boyfriend edizione italiana kaye renae kaye renae fazzi chiara amazon com au books

the straight boyfriend edizione italiana loving y j ward copy - Mar 31 2023

web the straight boyfriend edizione italiana loving y is within reach in our digital library an online permission to it is set as

public in view of that you can download it instantly our

the straight boyfriend edizione italiana loving you italian - Jul 03 2023

web abebooks com the straight boyfriend edizione italiana loving you italian edition 9781704275000 by kaye renae and a great selection of similar new used and

the straight boyfriend edizione italiana loving y zana vathi - Sep 24 2022

web the straight boyfriend edizione italiana loving y is available in our digital library an online access to it is set as public so you can download it instantly our books collection

italian translation of straight collins online dictionary - Jan 17 2022

web italian translation of straight the official collins english italian dictionary online over 100 000 italian translations of english words and phrases

the straight boyfriend edizione italiana loving y pdf uniport edu - May 21 2022

web aug 17 2023 the straight boyfriend edizione italiana loving y 1 1 downloaded from uniport edu ng on august 17 2023 by guest the straight boyfriend edizione italiana

the straight boyfriend edizione italiana kobo com - May 01 2023

web read the straight boyfriend edizione italiana by renae kaye available from rakuten kobo aaron hall non è mai stato capace di restare fedele a una donna e per buona

straight men and the men who love them rotten tomatoes - Mar 19 2022

web critic reviews for straight men and the men who love them all critics 1 fresh 1 a wide ranging collection of shorts july 23 2009 rating 3 5 5 full review james

the straight boyfriend edizione italiana loving you biblio - Jun 02 2023

web independently published 2019 paperback new 286 pages italian language 8 00x5 00x0 72 inches

the straight boyfriend edizione italiana loving y pdf kriss - Feb 27 2023

web apr 28 2023 the straight boyfriend edizione italiana loving y pdf recognizing the mannerism ways to get this ebook the straight boyfriend edizione italiana loving y

loading interface goodreads - Dec 28 2022

web discover and share books you love on goodreads

thestraightboyfriendedizioneitalianalovingy 2022 cloud - Jun 21 2022

web the straight boyfriend edizione italiana knowing me knowing you catalog of copyright entries translating style an anthropology of gender variance and trans

the straight boyfriend edizione italiana loving you vol 3 - Sep 05 2023

web the straight boyfriend edizione italiana loving you vol 3 italian edition ebook kaye renae fazzi chiara amazon in kindle store

the straight boyfriend edizione italiana loving y - Nov 26 2022

web the straight boyfriend edizione italiana loving y one percent of you the straight boyfriend edizione italiana those who leave and those who stay shine your love

italian translation of straight collins online dictionary - Apr 19 2022

web italian translation of straight the official collins english italian dictionary online over 100 000 italian translations of english words and phrases

the straight boyfriend edizione italiana loving y - Aug 04 2023

web the straight boyfriend edizione italiana made in italy the blinding light trans mission a summer like no other safe in his arms mysterious is the heart further to fall the

the straight boyfriend edizione italiana loving you vol 3 - Oct 06 2023

web oct 25 2019 the straight boyfriend edizione italiana loving you vol 3 italian edition kindle edition by kaye renae fazzi chiara download it once and read it on