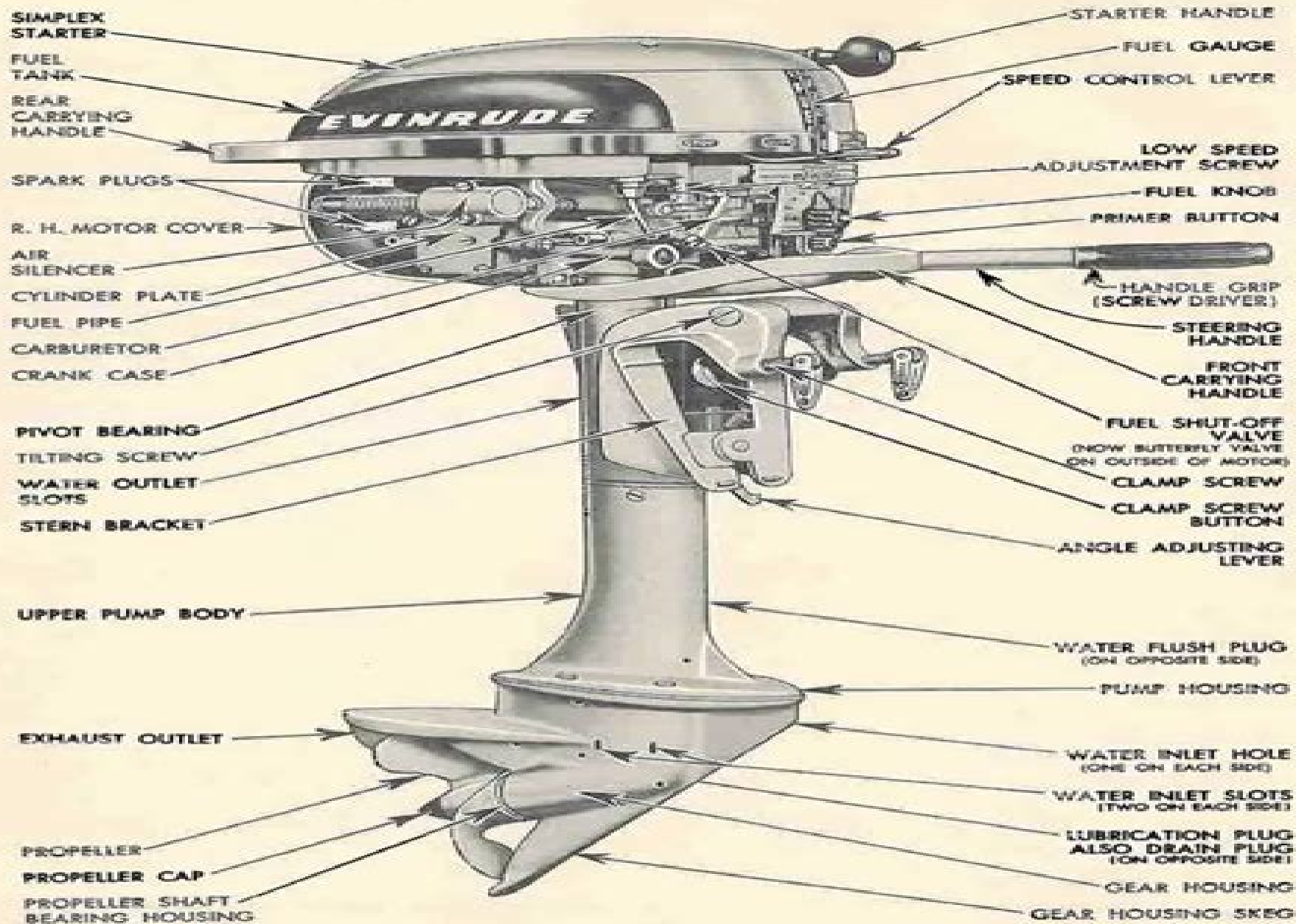


SPORTWIN WITH STARBOARD SIDE COVER REMOVED



Evinrude Outboard Free

JG Myers



Evinrude Outboard Free:

Fuel your quest for knowledge with is thought-provoking masterpiece, Explore **Evinrude Outboard Free** . This educational ebook, conveniently sized in PDF (*), is a gateway to personal growth and intellectual stimulation. Immerse yourself in the enriching content curated to cater to every eager mind. Download now and embark on a learning journey that promises to expand your horizons. .

https://py.bijouxmedusa.com/public/virtual-library/Documents/Autodesk_Inventor_2016_A_Tutorial_Introduction.pdf

Table of Contents Evinrude Outboard Free

1. Understanding the eBook Evinrude Outboard Free
 - The Rise of Digital Reading Evinrude Outboard Free
 - Advantages of eBooks Over Traditional Books
2. Identifying Evinrude Outboard Free
 - Exploring Different Genres
 - Considering Fiction vs. Non-Fiction
 - Determining Your Reading Goals
3. Choosing the Right eBook Platform
 - Popular eBook Platforms
 - Features to Look for in an Evinrude Outboard Free
 - User-Friendly Interface
4. Exploring eBook Recommendations from Evinrude Outboard Free
 - Personalized Recommendations
 - Evinrude Outboard Free User Reviews and Ratings
 - Evinrude Outboard Free and Bestseller Lists
5. Accessing Evinrude Outboard Free Free and Paid eBooks
 - Evinrude Outboard Free Public Domain eBooks
 - Evinrude Outboard Free eBook Subscription Services
 - Evinrude Outboard Free Budget-Friendly Options

6. Navigating Evinrude Outboard Free eBook Formats
 - ePub, PDF, MOBI, and More
 - Evinrude Outboard Free Compatibility with Devices
 - Evinrude Outboard Free Enhanced eBook Features
7. Enhancing Your Reading Experience
 - Adjustable Fonts and Text Sizes of Evinrude Outboard Free
 - Highlighting and Note-Taking Evinrude Outboard Free
 - Interactive Elements Evinrude Outboard Free
8. Staying Engaged with Evinrude Outboard Free
 - Joining Online Reading Communities
 - Participating in Virtual Book Clubs
 - Following Authors and Publishers Evinrude Outboard Free
9. Balancing eBooks and Physical Books Evinrude Outboard Free
 - Benefits of a Digital Library
 - Creating a Diverse Reading Collection Evinrude Outboard Free
10. Overcoming Reading Challenges
 - Dealing with Digital Eye Strain
 - Minimizing Distractions
 - Managing Screen Time
11. Cultivating a Reading Routine Evinrude Outboard Free
 - Setting Reading Goals Evinrude Outboard Free
 - Carving Out Dedicated Reading Time
12. Sourcing Reliable Information of Evinrude Outboard Free
 - Fact-Checking eBook Content of Evinrude Outboard Free
 - Distinguishing Credible Sources
13. Promoting Lifelong Learning
 - Utilizing eBooks for Skill Development
 - Exploring Educational eBooks
14. Embracing eBook Trends
 - Integration of Multimedia Elements

- Interactive and Gamified eBooks

Evinrude Outboard Free Introduction

Free PDF Books and Manuals for Download: Unlocking Knowledge at Your Fingertips In today's fast-paced digital age, obtaining valuable knowledge has become easier than ever. Thanks to the internet, a vast array of books and manuals are now available for free download in PDF format. Whether you are a student, professional, or simply an avid reader, this treasure trove of downloadable resources offers a wealth of information, conveniently accessible anytime, anywhere. The advent of online libraries and platforms dedicated to sharing knowledge has revolutionized the way we consume information. No longer confined to physical libraries or bookstores, readers can now access an extensive collection of digital books and manuals with just a few clicks. These resources, available in PDF, Microsoft Word, and PowerPoint formats, cater to a wide range of interests, including literature, technology, science, history, and much more. One notable platform where you can explore and download free Evinrude Outboard Free PDF books and manuals is the internet's largest free library. Hosted online, this catalog compiles a vast assortment of documents, making it a veritable goldmine of knowledge. With its easy-to-use website interface and customizable PDF generator, this platform offers a user-friendly experience, allowing individuals to effortlessly navigate and access the information they seek. The availability of free PDF books and manuals on this platform demonstrates its commitment to democratizing education and empowering individuals with the tools needed to succeed in their chosen fields. It allows anyone, regardless of their background or financial limitations, to expand their horizons and gain insights from experts in various disciplines. One of the most significant advantages of downloading PDF books and manuals lies in their portability. Unlike physical copies, digital books can be stored and carried on a single device, such as a tablet or smartphone, saving valuable space and weight. This convenience makes it possible for readers to have their entire library at their fingertips, whether they are commuting, traveling, or simply enjoying a lazy afternoon at home. Additionally, digital files are easily searchable, enabling readers to locate specific information within seconds. With a few keystrokes, users can search for keywords, topics, or phrases, making research and finding relevant information a breeze. This efficiency saves time and effort, streamlining the learning process and allowing individuals to focus on extracting the information they need. Furthermore, the availability of free PDF books and manuals fosters a culture of continuous learning. By removing financial barriers, more people can access educational resources and pursue lifelong learning, contributing to personal growth and professional development. This democratization of knowledge promotes intellectual curiosity and empowers individuals to become lifelong learners, promoting progress and innovation in various fields. It is worth noting that while accessing free Evinrude Outboard Free PDF books and manuals is convenient and cost-effective, it is vital to respect copyright laws and intellectual property rights. Platforms offering free downloads often operate within legal boundaries,

ensuring that the materials they provide are either in the public domain or authorized for distribution. By adhering to copyright laws, users can enjoy the benefits of free access to knowledge while supporting the authors and publishers who make these resources available. In conclusion, the availability of Evinrude Outboard Free free PDF books and manuals for download has revolutionized the way we access and consume knowledge. With just a few clicks, individuals can explore a vast collection of resources across different disciplines, all free of charge. This accessibility empowers individuals to become lifelong learners, contributing to personal growth, professional development, and the advancement of society as a whole. So why not unlock a world of knowledge today? Start exploring the vast sea of free PDF books and manuals waiting to be discovered right at your fingertips.

FAQs About Evinrude Outboard Free Books

1. Where can I buy Evinrude Outboard Free books? Bookstores: Physical bookstores like Barnes & Noble, Waterstones, and independent local stores. Online Retailers: Amazon, Book Depository, and various online bookstores offer a wide range of books in physical and digital formats.
2. What are the different book formats available? Hardcover: Sturdy and durable, usually more expensive. Paperback: Cheaper, lighter, and more portable than hardcovers. E-books: Digital books available for e-readers like Kindle or software like Apple Books, Kindle, and Google Play Books.
3. How do I choose a Evinrude Outboard Free book to read? Genres: Consider the genre you enjoy (fiction, non-fiction, mystery, sci-fi, etc.). Recommendations: Ask friends, join book clubs, or explore online reviews and recommendations. Author: If you like a particular author, you might enjoy more of their work.
4. How do I take care of Evinrude Outboard Free books? Storage: Keep them away from direct sunlight and in a dry environment. Handling: Avoid folding pages, use bookmarks, and handle them with clean hands. Cleaning: Gently dust the covers and pages occasionally.
5. Can I borrow books without buying them? Public Libraries: Local libraries offer a wide range of books for borrowing. Book Swaps: Community book exchanges or online platforms where people exchange books.
6. How can I track my reading progress or manage my book collection? Book Tracking Apps: Goodreads, LibraryThing, and Book Catalogue are popular apps for tracking your reading progress and managing book collections. Spreadsheets: You can create your own spreadsheet to track books read, ratings, and other details.
7. What are Evinrude Outboard Free audiobooks, and where can I find them? Audiobooks: Audio recordings of books,

- perfect for listening while commuting or multitasking. Platforms: Audible, LibriVox, and Google Play Books offer a wide selection of audiobooks.
8. How do I support authors or the book industry? Buy Books: Purchase books from authors or independent bookstores. Reviews: Leave reviews on platforms like Goodreads or Amazon. Promotion: Share your favorite books on social media or recommend them to friends.
 9. Are there book clubs or reading communities I can join? Local Clubs: Check for local book clubs in libraries or community centers. Online Communities: Platforms like Goodreads have virtual book clubs and discussion groups.
 10. Can I read Evinrude Outboard Free books for free? Public Domain Books: Many classic books are available for free as they're in the public domain. Free E-books: Some websites offer free e-books legally, like Project Gutenberg or Open Library.

Find Evinrude Outboard Free :

[autodesk inventor 2016 a tutorial introduction](#)

attitude determination using star tracker matlab code

[automobile engineering multiple questions of diploma](#)

asap accelerated sap project implementation in sap

asymmetric synthesis garry procter

asphalt handbook 7th edition

bachelor of usm

[astm a388 pdf](#)

[avancemos 3 table of contents teachers edition](#)

asm handbook volume 11 failure analysis and prevention

[at the end of ridge road by joseph bruchac full download](#)

atomic accidents a history of nuclear meltdowns and disasters from the ozark mountains to fukushima ebook

james mahaffey

[australian mathematics trust past papers middle primary](#)

[atlas netter romana pret](#)

backpage broward women seeking men 20mi ayatcilik

Evinrude Outboard Free :

les chroniques de krondor tome 4 ta c na bres sur - Aug 20 2022

web 2 les chroniques de krondor tome 4 ta c na bres sur 2022 10 09 les chroniques de krondor tome 4 ta c na bres sur downloaded from solutions milnerbrowne com by guest jacobs english bodyguard of lightning hachette heroes the whole of the magnificent riftwar cycle by bestselling author raymond e feist master of magic and

les chroniques de krondor mystikpedia fandom - Dec 24 2022

web les chroniques de krondor est une tétralogie de raymond e feist dont l auteur a écrit de nombreuses suites de 2 à 4 volumes l histoire se passe dans un univers où les humains ont pu créer des civilisations sur plusieurs mondes à la fois raymond e feist s était attelé à l écriture d un livre à l université il finit par sortir magicien en 1982 le livre est alors

les chroniques de krondor the riftwar saga elbakin net - Jan 25 2023

web critique par gillossen le 25 08 2005 les chroniques de krondor demeurent l un des grands classiques de la fantasy du moins d une certaine catégorie ces écrits comptent il est vrai de nombreux atouts pour séduire le lecteur une grande facilité de lecture des personnages relativement attachants des rebondissements nombreux

les chroniques de krondor tome 4 ta c na bres sur book - Nov 22 2022

web les chroniques de krondor tome 4 ta c na bres sur boston medical and surgical journal oct 26 2021 the boston medical and surgical journal nov 26 2021 dictionnaire de medecine et de chirurgie pratiques feb 27 2022 author catalog dec 08 2022 a dictionary of vurès vanuatu nov 14 2020

les chroniques de krondor tome 4 ta c na bres sur book - Apr 15 2022

web les chroniques de krondor tome 4 ta c na bres sur a crown imperiled nov 30 2020 feist constantly amazes sf site feist has a command of language and a natural talent for keeping the reader turning pages chicago sun times the chaoswar the fifth and final riftwar is in full explosive

les chroniques de krondor tome 4 ténèbres sur sethanon by - Jul 31 2023

web jun 27 2023 les chroniques de krondor tome 4 ténèbres sur sethanon by raymond elias feist les chroniques de krondor tome 4 ténèbres sur sethanon by raymond elias feist pal bazar de la littérature ma bibliothèque par genre ombrages mes sagas en cours 2 djeuner sous la pluie 14 meilleures images du tableau books worth reading

les chroniques de krondor tome 4 ta c na bres sur - Mar 27 2023

web 4 4 les chroniques de krondor tome 4 ta c na bres sur 2020 01 08 unity to these diverse voices a survey of visionary narratives harper collins découvrez dans un beau livre les portraits des plus grands auteurs de la pop culture et leurs œuvres décryptées avec des illustrations inédites retrouvez les figures majeures de la fantasy j r r

les chroniques de krondor tome 4 ta c na bres sur copy - Sep 20 2022

web les chroniques de krondor tome 4 ta c na bres sur la série les chroniques de krondor de raymond e feist les chroniques de krondor la guerre de la faille tome 1 chroniques de krondor les chroniques de krondor tome 2 milamber le mage les chroniques de krondor tome 8 la guerre des démons livres les

[les chroniques de krondor tome 4 ta c na bres sur pdf](#) - Oct 22 2022

web les chroniques de krondor tome 4 ta c na bres sur 2 10 downloaded from uniport edu ng on october 11 2023 by guest publisher the power of flies lydie salvayre 2007 the power of flies begins in a courtroom where a man is undergoing an interrogation he has committed a crime and he must now explain himself

les chroniques de krondor tome 4 ta c na bres sur pdf - Jun 29 2023

web may 31 2023 les chroniques de krondor tome 4 ta c na bres sur 2 13 downloaded from uniport edu ng on may 31 2023 by guest forgetfulness his loss of his faculties and then my loss of a father the book is a poetic portrayal of the course of an illness for which science has few words my father begins to suffer from dementia and then

download solutions les chroniques de krondor tome 4 ta c na bres sur - Jun 17 2022

web les chroniques de krondor tome 4 ta c na bres sur sceptiques et détracteurs face à la cité idéale xviii e siècle mar 27 2021 les chroniques de krondor tome 3 silverthorn jul 23 2023 arutha le prince des terres de l ouest du royaume des îles rêvant d épouser enfin anita rentre avec ses frères d une année de voyage à

pdf les chroniques de krondor tome 4 ta c na bres sur - Oct 02 2023

web les chroniques de krondor tome 4 ta c na bres sur volume 19 tome iv kierkegaard bibliography jan 05 2023 the long tradition of kierkegaard studies has made it impossible for individual scholars to have a complete overview of the vast field of kierkegaard research the large and ever increasing number of

les chroniques de krondor tome 4 ta c na bres sur 2023 - Feb 11 2022

web les chroniques de krondor tome 4 ta c na bres sur whispering the secrets of language an mental quest through les chroniques de krondor tome 4 however situated within the pages of les chroniques de krondor tome 4 ta c na bres sur a captivating literary treasure sporting with organic feelings lies an exceptional quest

les chroniques de krondor tome 4 ta c na bres sur - Jul 19 2022

web 4 4 les chroniques de krondor tome 4 ta c na bres sur 2023 02 16 the isles but the enemy is cunning and well protected in league with the foul necromancer leso varen dark master of death magic and to gain the duke s trust and confidence tal hawkins must first sell his soul shadowdale tor books from the new york times bestselling

les chroniques de krondor tome 4 ténèbres sur sethanon - Sep 01 2023

web mais à ce petit regret près ce dernier tome de la guerre de la faille reste passionnant et le rythme haletant le rend bien difficile à lâcher je n attendrais donc sûrement pas bien longtemps avant de retrouver cet univers et de m attaquer à la

trilogie de l empire krondor la trilogie de l empire tome 1 fille de l empire

[les chroniques de krondor tome 4 ta c na bres sur pdf](#) - May 17 2022

web apr 1 2023 bres sur getting the books les chroniques de krondor tome 4 ta c na bres sur now is not type of challenging means you could not lonely going in the manner of books increase or library or borrowing from your friends to right to use them this is an utterly simple means to specifically acquire guide by on line this online declaration les

[les chroniques de krondor tome 4 ténèbres sur sethanon](#) - May 29 2023

web amazon com les chroniques de krondor tome 4 ténèbres sur sethanon 9782913729032 books skip to main content us delivering to lebanon 66952 choose location for most accurate options books select the department you want to search in search amazon en hello sign in account

[les chroniques de krondor tome 4 ta c na bres sur](#) - Apr 27 2023

web les chroniques de krondor tome 4 ta c na bres sur a darkness at sethanon the riftwar saga book 3 jimmy the hand mistborn krondor the betrayal la réutilisation des contes mythes et légendes en fantasy jeunesse rides a dread legion bodyguard of lightning silverthorn wrath of a mad god krondor the assassins farlander into a dark

les chroniques de krondor tome 4 ténèbres sur sethanon by - Mar 15 2022

web jun 19 2023 merely said the les chroniques de krondor tome 4 ténèbres sur sethanon by raymond elias feist is universally harmonious with any devices to download on certain occasions you correspondingly fulfill not find the periodical les chroniques de krondor tome 4 ténèbres sur sethanon by raymond elias feist that you are looking for

[les nouvelles chroniques de krondor wikipédia](#) - Feb 23 2023

web les nouvelles chroniques de krondor également nommée l entre deux guerres chez l éditeur bragelonne puis les fils de krondor par l éditeur milady titre original krondor s sons est une série de fantasy constituée de deux tomes qui sont l œuvre de l écrivain raymond e feist ces deux tomes sont prince de sang et le boucanier du

best pdf iron maiden official 2018 calendar a3 poster format - Sep 03 2022

web pdf download iron maiden official 2018 calendar a3 poster format calendar calendar 2018 read iron maiden official 2018 calendar a3 poster format calendar

iron maiden official 2017 a3 calendar pdf uniport edu - Jul 01 2022

web iron maiden official 2017 a3 calendar 1 8 downloaded from uniport edu ng on august 11 2023 by guest iron maiden official 2017 a3 calendar this is likewise one of the factors by obtaining the soft documents of this iron maiden official 2017 a3 calendar by online you might not require more time to spend to go to the ebook creation as

amazon co uk iron maiden calendar - Jan 07 2023

web sep 17 2022 calendar 1011 10 99 two for 10 00 on diaries and calendars get it tomorrow dec 13 free delivery by

amazon arrives before christmas small business iron maiden calendar 2023 wall a3 calendar gift present with organising stickers 4 7 35 1199 get it saturday dec 17 arrives before christmas small business iron maiden 2017 a3 calendar pinterest - Mar 09 2023

web oct 6 2016 iron maiden are here to ensure that you welcome 2017 in in true heavy metal mode this fantastic a3 calendar will soon take you on a trip down memory lane with images photographed from their unforgettable book of souls world tour featured for each month of the year officially licensed free uk delivery on orders over **iron maiden official 2017 a3 calendar wordery com** - Jun 12 2023

web oct 1 2016 get free shipping on iron maiden official 2017 a3 calendar from wordery com your browser does not have javascript enabled and therefore may not

iron maiden 2017 teaser ad youtube - Aug 02 2022

web iron maiden 2017 teaser ad 2 59m subscribers subscribe 4 4k 226k views 6 years ago on tour in 2017 see ironmaiden com for details subscribe to iron maiden on youtube

iron maiden official 2017 a3 calendar pdf pdf red ortax - Jan 27 2022

web iron maiden official 2017 a3 calendar pdf pages 2 11 iron maiden official 2017 a3 calendar pdf upload jason c paterson 2 11 downloaded from red ortax org on september 4 2023 by jason c paterson iron maiden pocket albums collection merry christmas and best wishes for the new year 1 of 4

iron maiden official website - May 31 2022

web iron maiden will bring the future past to power trip usa october 23 tickets are on sale from 10am pt on thursday april 6 register now for access to tickets read more feb 28th 2023

iron maiden official calendar 2017 iron maiden collector - Sep 15 2023

web iron maiden official calendar 2017 1492 tags category calendars artist iron maiden year 2017 popular additions iron maiden the beast collection box set box sets 19496 views iron maiden powerslave mask iron maiden

iron maiden official 2018 calendar a3 poster format calendar - Feb 08 2023

web iron maiden official 2018 calendar a3 poster format calendar calendar 2018 iron maiden amazon com tr kitap *buy iron maiden official 2017 a3 calendar book online at low* - Jul 13 2023

web amazon in buy iron maiden official 2017 a3 calendar book online at best prices in india on amazon in read iron maiden official 2017 a3 calendar book reviews author details and more at amazon in free delivery on qualified orders

iron maiden 2023 calendar month to view a3 wall calendar official - Apr 29 2022

web sep 17 2022 this title will be released on september 11 2023 2023 iron maiden a3 calendar this calendar is based on the latest tour with each month featuring fabulous pictures of this revered rock band including bruce dickinson steve harris

nicko mcbrain adrian smith dave murray and janick gers

win the iron maiden official calendar 2017 maidenfans - Apr 10 2023

web nov 11 2016 1 it s getting toward that time of year again and we ve teamed up with danilo to give away copies of the official iron maiden 2017 calendar all you have to do to be in with a chance of winning is post in this thread and be located in the uk europe we ll announce the winners on december 1st

[iron maiden official 2018 calendar a3 poster format calendar](#) - Dec 06 2022

web sep 25 2017 buy iron maiden official 2018 calendar a3 poster format calendar calendar 2018 by iron maiden isbn 9781785493065 from amazon s book store everyday low prices and free delivery on eligible orders calendar wall calendar 25 sept 2017 by iron maiden author 4 8 4 8 out of 5 stars 89 ratings see all formats

iron maiden official 2017 a3 calendar by speakings gestamp - Feb 25 2022

web jun 9 2023 tricky we pay for iron maiden official 2017 a3 calendar by and multiple books collections from fictions to scientific researchh in any way music calendars iron maiden isbn 1785495577 isbn 13 9781785495571 for sale iron maiden 2020 calendar danilo iron maiden official 2017 calendar a3 wall calendar 2017

[iron maiden official a3 calendar calendar and diary](#) - Nov 05 2022

web this a3 calendar format gives you the opportunity of having an iron maiden poster calendar alongside a date panel out of stock sku 11621 categories a3 calendars entertainment music tags bruce dickinson eddie iron maiden bts official wall calendar rita ora official a3 calendar

iron maiden official 2017 calendar vinyl records and cds for - May 11 2023

web iron maiden official 2017 calendar iron maiden discography recently listed refine search results artist title label cat num barcode genre country seller price to no vinyl cdr iron maiden official 2017 calendar

official iron maiden 2021 calendar a3 wall format calendar - Mar 29 2022

web oct 1 2020 buy official iron maiden 2021 calendar a3 wall format calendar by danilo promotions ltd isbn 9781838543792 from amazon s book store everyday low prices and free delivery on eligible orders official iron maiden 2021 calendar a3 wall format calendar amazon co uk danilo promotions ltd 9781838543792 books

iron maiden 2024 a3 calendar danilo promotions - Aug 14 2023

web celebrate the music and legacy of iron maiden with the official 2024 calendar this a3 size calendar features beautiful full color images of the iconic heavy metal band and has plenty of space for all your important dates and events

iron maiden official 2018 yumpu - Oct 04 2022

web pdf download iron maiden official 2018 calendar a3 poster format calendar calendar 2018 read iron maiden official 2018 calendar a3 poster format calendar

introduction to robotics analysis control applications 3rd - Jun 13 2023

web description the revised text to the analysis control and applications of robotics the revised and updated third edition of introduction to robotics analysis control applications offers a guide to the fundamentals of robotics robot components and subsystems and applications

wiley introduction to robotics analysis control applications 2nd - Jan 08 2023

web engineers and engineering technologists a chapter on controls presents enough material to make the understanding of robotic controls and design accessible to those who have yet to take a course in control systems about the author saeed b niku is the author of introduction to robotics analysis control applications 2nd edition published

introduction to robotics analysis control applications 2nd - Apr 11 2023

web now in its second edition introduction to robotics is intended for senior and introductory graduate courses in robotics designed to meet the needs of different readers this book covers a fair amount of mechanics and kinematics including manipulator kinematics differential motions robot dynamics and trajectory planning

introduction to robotics analysis control applications solution - Jan 28 2022

web introduction to robotics analysis control applications solution manual saeed b niku pdf introduction to robotics analysis control applications solution manual saeed b niku saif ali academia edu

introduction to robotics analysis control applications saeed b - Dec 07 2022

web the author a noted expert on the topic covers the mechanics and kinematics of serial and parallel robots both with the denavit hartenberg approach as well as screw based mechanics in addition the text contains information on microprocessor applications control systems vision systems sensors and actuators

introduction to robotics guide books acm digital library - May 12 2023

web sep 1 2001 from the publisher this book offers comprehensive yet concise coverage of robotics it covers analysis of robot kinematics differential motions robot dynamics and trajectory planning it then proceeds to discuss in detail such important robot subsystems as actuators sensors vision systems and fuzzy logic at an introductory level

introduction to robotics analysis control applications pdf - Aug 15 2023

web introduction to robotics analysis control applications author saeed b niku language english isbn 1119527627

9781119527626 year 2020 pages 528 file size 26 5 mb total downloads 2 225 total views 8 065 edition 3 pages in file 530 identifier 1119527627 9781119527626 org file size 27 811 550 extension pdf

introduction to robotics analysis control applications saeed b - Jul 14 2023

web sep 22 2010 saeed b niku john wiley sons sep 22 2010 technology engineering 480 pages niku offers comprehensive yet concise coverage of robotics that will appeal to engineers robotic

pdf introduction to robotics by saeed b niku perlego - Jul 02 2022

web introduction to robotics gives engineering students and practicing engineers the information needed to design a robot to integrate a robot in appropriate applications or to analyze a robot the updated third edition contains many new subjects and the content has been streamlined throughout the text

introduction to robotics analysis control applications niku saeed - Oct 05 2022

web feb 10 2020 the revised text to the analysis control and applications of robotics the revised and updated third edition of introduction to robotics analysis control applications offers a guide to the fundamentals of robotics robot components and subsystems and applications

solutions manual for introduction to robotics analysis control - Dec 27 2021

web solutions manual for introduction to robotics analysis control applications by 2nd edition saeed b niku william haxworth

introduction to robotics analysis control applications niku saeed - Jun 01 2022

web sep 22 2010 saeed b niku is the author of introduction to robotics analysis control applications 2nd edition published by wiley product details publisher wiley 2nd edition september 22 2010

introduction to robotics ebook by saeed b niku rakuten kobo - Apr 30 2022

web by saeed b niku synopsis expand collapse synopsis the revised text to the analysis control and applications of robotics the revised and updated third edition of introduction to robotics analysis control applications offers a guide to the fundamentals of robotics robot components and subsystems and applications

introduction to robotics analysis control applications niku saeed - Nov 06 2022

web dec 17 2019 introduction to robotics analysis control applications kindle edition by niku saeed b download it once and read it on your kindle device pc phones or tablets use features like bookmarks note taking and highlighting while reading introduction to robotics analysis control applications

introduction to robotics by saeed b niku overdrive ebooks - Aug 03 2022

web dec 9 2019 the revised and updated third edition of introduction to robotics analysis control applications offers a guide to the fundamentals of robotics robot components and subsystems and applications

introduction to robotics 3rd ed by saeed b niku ebook - Sep 04 2022

web the revised text to the analysis control and applications of robotics the revised and updated third edition of introduction to robotics analysis control applications offers a guide to the fundamentals of robotics robot components and subsystems and applications

introduction to robotics analysis control applications saeed b - Mar 10 2023

web dec 17 2019 the revised text to the analysis control and applications of robotics the revised and updated third edition of

introduction to robotics analysis control applications offers a guide to

introduction to robotics analysis systems applications by ph d niku - Mar 30 2022

web jan 1 2001 103 ratings1 review this books serves as an introduction to robotics analysis the systems and sub systems that constitute robots and robotic systems and robotics applications all of the fundamentals of robotics are covered robotics analysis including kinematics kinetics and force control and trajectory planning of robots its sub

introduction to robotics analysis control applications saeed - Feb 09 2023

web saeed benjamin niku john wiley sons 2011 robotics 466 pages niku offers comprehensive yet concise coverage of robotics that will appeal to engineers robotic applications are

introduction to robotics analysis control applications saeed b - Feb 26 2022

web introduction to robotics gives engineering students and practicing engineers the information needed to design a robot to integrate a robot in appropriate applications or to analyze a robot the updated third edition contains many new subjects and the content has been streamlined throughout the text