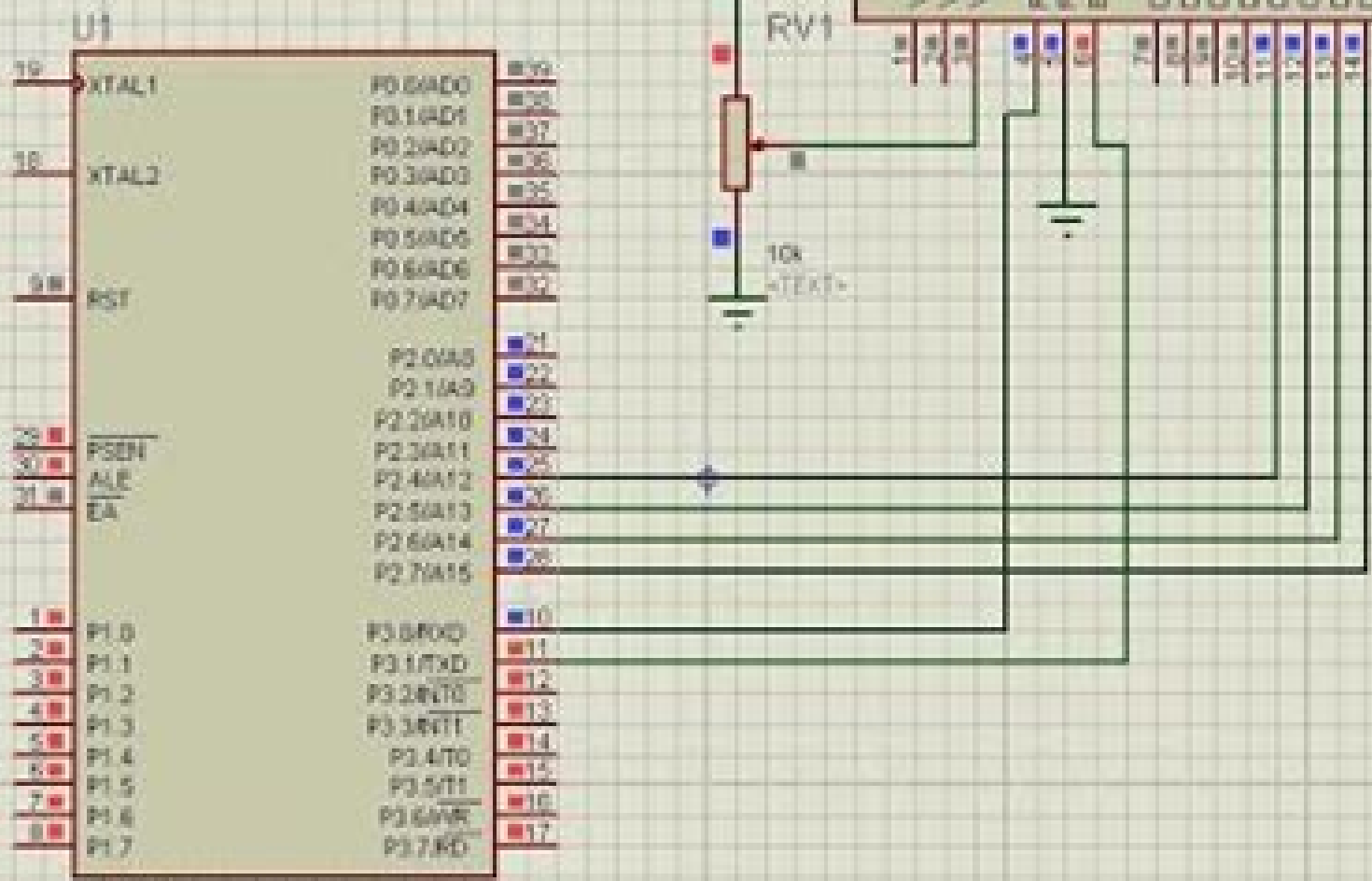
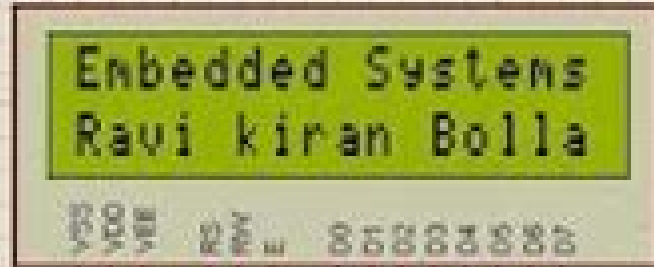


LCD1
LM016L
vTEXT-



AT89C51
-TEXT-

Lcd Display C Programming

Jin Sato



Lcd Display C Programming:

Advanced C Programming for Displays Marc J. Rochkind,1988 Programming the PIC Microcontroller with MBASIC Jack Smith,2005-07-19 The Microchip PIC family of microcontrollers is the most popular series of microcontrollers in the world However no microcontroller is of any use without software to make it perform useful functions This comprehensive reference focuses on designing with Microchip s mid range PIC line using MBASIC a powerful but easy to learn programming language It illustrates MBASIC s abilities through a series of design examples beginning with simple PIC based projects and proceeding through more advanced designs Unlike other references however it also covers essential hardware and software design fundamentals of the PIC microcontroller series including programming in assembly language when needed to supplement the capabilities of MBASIC Details of hardware software interfacing to the PIC are also provided

BENEFIT TO THE READER This book provides one of the most thorough introductions available to the world s most popular microcontroller with numerous hardware and software working design examples which engineers students and hobbyists can directly apply to their design work and studies Using MBASIC it is possible to develop working programs for the PIC in a much shorter time frame than when using assembly language Offers a complete introduction to programming the most popular microcontroller in the world using the MBASIC compiler from a company that is committed to supporting the book both through purchases and promotion Provides numerous real world design examples all carefully tested **PIC Projects**

Hassan Parchizadeh,Branislay Vuksanovic,2009-08-10 This book is a collection of projects based around various microcontrollers from the PIC family The reader is carefully guided through the book from very simple to more complex projects in order to gradually build their knowledge about PIC microcontrollers and digital electronics in general On completion of this book the reader should be able to design and build their own projects and solve other practical problems in digital electronics Many books in this area are theory based and can tend toward being overly explanatory in their approach to the subject Courses are moving towards being more practically oriented and this book provides the ideal companion to students completing projects with PIC microcontrollers *Innovations and Advanced Techniques in Systems, Computing Sciences and Software Engineering* Khaled Elleithy,2008-08-17 *Innovations and Advanced Techniques in Systems Computing Sciences and Software Engineering* includes a set of rigorously reviewed world class manuscripts addressing and detailing state of the art research projects in the areas of Computer Science Software Engineering Computer Engineering and Systems Engineering and Sciences *Innovations and Advanced Techniques in Systems Computing Sciences and Software Engineering* includes selected papers form the conference proceedings of the International Conference on Systems Computing Sciences and Software Engineering SCSS 2007 which was part of the International Joint Conferences on Computer Information and Systems Sciences and Engineering CISSE 2007 **Foundations and Frontiers in Computer, Communication and Electrical Engineering** Aritra Acharyya,2016-05-05 The 3rd International Conference on Foundations and Frontiers in

Computer Communication and Electrical Engineering is a notable event which brings together academia researchers engineers and students in the fields of Electronics and Communication Computer and Electrical Engineering making the conference a perfect platform to share experience f

Rapid Prototyping of Digital Systems James O. Hamblen, Tyson S. Hall, Michael D. Furman, 2007-09-26 New to this edition is an introduction to embedded operating systems for SOPC designs Featuring four accelerated tutorials on the Quartus II and Nios II design environments this edition progresses from introductory programmable logic to full scale SOPC design integrating hardware implementation software development operating system support state of the art I O and IP cores This edition features Altera s new 7 1 Quartus II CAD and Nios II SOPC tools and includes projects for Altera s DE1 DE2 UP3 UP2 and UP1 FPGA development boards *Programming Arduino: Getting Started with Sketches* Simon Monk, 2016-06-29 A fully updated guide to quickly and easily programming Arduino Thoroughly revised for the new Arduino Uno R3 this bestselling guide explains how to write well crafted sketches using Arduino s modified C language You will learn how to configure hardware and software develop your own sketches work with built in and custom Arduino libraries and explore the Internet of Things all with no prior programming experience required Electronics guru Simon Monk gets you up to speed quickly teaching all concepts and syntax through simple language and clear instruction designed for absolute beginners *Programming Arduino Getting Started with Sketches Second Edition* features dozens of easy to follow examples and high quality illustrations All of the sample sketches featured in the book can be used as is or modified to suit your needs An all new chapter teaches programming Arduino for Internet of Things projects Screenshots diagrams and source code illustrate each technique All sample programs in the book are available for download *Programming and Problem Solving with C++* Nell B. Dale, Chip Weems, Mark R. Headington, 2002 This book continues to reflect our experience that topics once considered too advanced can be taught in the first course The text addresses metalanguages explicitly as the formal means of specifying programming language syntax **Programming in C++** Nell Dale, Chip Weems, Mark R. Headington, 2001 Intended to continue to meet the need for a user friendly introduction to C computer program language this iteration incorporates conformance to the latest ISO ANSI standard C and an earlier introduction to classes data abstraction and object oriented concepts Includes Web link prompts prog **Control Engineering**, 1992 Instrumentation and automatic control systems **Programming and Customizing the PIC Microcontroller** Myke Predko, 2007-05-22 MASTER PIC MICROCONTROLLER TECHNOLOGY AND ADD POWER TO YOUR NEXT PROJECT Tap into the latest advancements in PIC technology with the fully revamped Third Edition of McGraw Hill s *Programming and Customizing the PIC Microcontroller* Long known as the subject s definitive text this indispensable volume comes packed with more than 600 illustrations and provides comprehensive easy to understand coverage of the PIC microcontroller s hardware and software schemes With 100 experiments projects and libraries you get a firm grasp of PICs how they work and the ins and outs of their most dynamic applications Written by renowned technology guru Myke Predko

this updated edition features a streamlined more accessible format and delivers Concentration on the three major PIC families to help you fully understand the synergy between the Assembly BASIC and C programming languages Coverage of the latest program development tools A refresher in electronics and programming as well as reference material to minimize the searching you will have to do WHAT S INSIDE Setting up your own PIC microcontroller development lab PIC MCU basics PIC microcontroller interfacing capabilities software development and applications Useful tables and data Basic electronics Digital electronics BASIC reference C reference 16 bit numbers Useful circuits and routines that will help you get your applications up and running quickly

Interfacing Techniques in Digital Design with Emphasis on Microprocessors R. L. Krutz,1988-03-03 Hardware Input Output and Data Communications

Embedded Core Design with FPGAs Zainalabedin Navabi,2007 This volume shows how a processor can be designed from scratch and by use of new EDA tools how it interfaces with its software It shows how a processor and its software can be used as an embedded core and used for the design of an embedded system

InCider ,1987 PC ,1985

The PC User's Essential Accessible Pocket Dictionary Peter Dyson,1995 Written by an industry expert who explains the terms in plain English this is the most complete most readable computer dictionary available Providing more than simple definitions this book offers tips cautions and warnings tables and figures lengthy encyclopedia entries for essential terms and icons to link related entries Updated with more than 1 000 new entries

Embedded Systems Design and Applications with the 68HC12 and HCS12 Steven Frank Barrett,Daniel J. Pack,2005 For a second microprocessor course for students enrolled in Electrical Computer Engineering Microcontroller courses Designed for a senior or graduate level embedded systems design course Embedded Systems Design and Applications with the 68HC12 introduces readers to unique issues associated with designing testing integrating and implementing microcontroller microprocessor based embedded systems

Jin Sato's Lego Mindstorms Jin Sato,2002 The creator of MIBO the Lego Hall of Fame s robotic dog offers programming tips parts lists and step by step instructions for building unique robots using LEGO toys

Programmable Microcontrollers with Applications Cem Unsalan,H. Deniz Gurhan,2013-09-17 Publisher s Note Products purchased from Third Party sellers are not guaranteed by the publisher for quality authenticity or access to any online entitlements included with the product

MASTER THE MSP430 MICROCONTROLLER AND DEVELOPMENT PLATFORM Expand your electronics design skills to include the MSP430 family of ultra low power microprocessors with help from this practical guide

Programmable Microcontrollers with Applications MSP430 LaunchPad with CCS and Grace thoroughly explains each concept and provides illustrated examples and projects Find out how to configure the MSP430 efficiently program custom functions process analog and digital signals and interface with external components Sample code and reference information are available on the companion website

COVERAGE INCLUDES Digital circuit and microcontroller fundamentals MSP430 architecture and CCS development environment LaunchPad platform and Grace configuration tool C and Assembly language programming and debugging Interrupts digital I

O and D A and A D converters Data storage and coding practices for flash memory Oscillators clocks low power modes and timers Digital and analog communication ports and protocols Schematics and assembly instructions for 12 projects

Electronics Now ,1999

Right here, we have countless book **Lcd Display C Programming** and collections to check out. We additionally allow variant types and also type of the books to browse. The all right book, fiction, history, novel, scientific research, as capably as various other sorts of books are readily to hand here.

As this Lcd Display C Programming, it ends stirring swine one of the favored books Lcd Display C Programming collections that we have. This is why you remain in the best website to look the incredible ebook to have.

<https://py.bijouxmedusa.com/About/uploaded-files/fetch.php/Furniture%20Industry%20Against%20French%20Voc%20Regulation.pdf>

Table of Contents Lcd Display C Programming

1. Understanding the eBook Lcd Display C Programming
 - The Rise of Digital Reading Lcd Display C Programming
 - Advantages of eBooks Over Traditional Books
2. Identifying Lcd Display C Programming
 - Exploring Different Genres
 - Considering Fiction vs. Non-Fiction
 - Determining Your Reading Goals
3. Choosing the Right eBook Platform
 - Popular eBook Platforms
 - Features to Look for in an Lcd Display C Programming
 - User-Friendly Interface
4. Exploring eBook Recommendations from Lcd Display C Programming
 - Personalized Recommendations
 - Lcd Display C Programming User Reviews and Ratings
 - Lcd Display C Programming and Bestseller Lists
5. Accessing Lcd Display C Programming Free and Paid eBooks

- Lcd Display C Programming Public Domain eBooks
 - Lcd Display C Programming eBook Subscription Services
 - Lcd Display C Programming Budget-Friendly Options
6. Navigating Lcd Display C Programming eBook Formats
 - ePub, PDF, MOBI, and More
 - Lcd Display C Programming Compatibility with Devices
 - Lcd Display C Programming Enhanced eBook Features
 7. Enhancing Your Reading Experience
 - Adjustable Fonts and Text Sizes of Lcd Display C Programming
 - Highlighting and Note-Taking Lcd Display C Programming
 - Interactive Elements Lcd Display C Programming
 8. Staying Engaged with Lcd Display C Programming
 - Joining Online Reading Communities
 - Participating in Virtual Book Clubs
 - Following Authors and Publishers Lcd Display C Programming
 9. Balancing eBooks and Physical Books Lcd Display C Programming
 - Benefits of a Digital Library
 - Creating a Diverse Reading Collection Lcd Display C Programming
 10. Overcoming Reading Challenges
 - Dealing with Digital Eye Strain
 - Minimizing Distractions
 - Managing Screen Time
 11. Cultivating a Reading Routine Lcd Display C Programming
 - Setting Reading Goals Lcd Display C Programming
 - Carving Out Dedicated Reading Time
 12. Sourcing Reliable Information of Lcd Display C Programming
 - Fact-Checking eBook Content of Lcd Display C Programming
 - Distinguishing Credible Sources
 13. Promoting Lifelong Learning
 - Utilizing eBooks for Skill Development

- Exploring Educational eBooks
- 14. Embracing eBook Trends
 - Integration of Multimedia Elements
 - Interactive and Gamified eBooks

Lcd Display C Programming Introduction

In this digital age, the convenience of accessing information at our fingertips has become a necessity. Whether its research papers, eBooks, or user manuals, PDF files have become the preferred format for sharing and reading documents. However, the cost associated with purchasing PDF files can sometimes be a barrier for many individuals and organizations. Thankfully, there are numerous websites and platforms that allow users to download free PDF files legally. In this article, we will explore some of the best platforms to download free PDFs. One of the most popular platforms to download free PDF files is Project Gutenberg. This online library offers over 60,000 free eBooks that are in the public domain. From classic literature to historical documents, Project Gutenberg provides a wide range of PDF files that can be downloaded and enjoyed on various devices. The website is user-friendly and allows users to search for specific titles or browse through different categories. Another reliable platform for downloading Lcd Display C Programming free PDF files is Open Library. With its vast collection of over 1 million eBooks, Open Library has something for every reader. The website offers a seamless experience by providing options to borrow or download PDF files. Users simply need to create a free account to access this treasure trove of knowledge. Open Library also allows users to contribute by uploading and sharing their own PDF files, making it a collaborative platform for book enthusiasts. For those interested in academic resources, there are websites dedicated to providing free PDFs of research papers and scientific articles. One such website is Academia.edu, which allows researchers and scholars to share their work with a global audience. Users can download PDF files of research papers, theses, and dissertations covering a wide range of subjects. Academia.edu also provides a platform for discussions and networking within the academic community. When it comes to downloading Lcd Display C Programming free PDF files of magazines, brochures, and catalogs, Issuu is a popular choice. This digital publishing platform hosts a vast collection of publications from around the world. Users can search for specific titles or explore various categories and genres. Issuu offers a seamless reading experience with its user-friendly interface and allows users to download PDF files for offline reading. Apart from dedicated platforms, search engines also play a crucial role in finding free PDF files. Google, for instance, has an advanced search feature that allows users to filter results by file type. By specifying the file type as "PDF," users can find websites that offer free PDF downloads on a specific topic. While downloading Lcd Display C Programming free PDF files is convenient, its important to note that copyright laws must be respected. Always ensure that the PDF files you download are legally available

for free. Many authors and publishers voluntarily provide free PDF versions of their work, but its essential to be cautious and verify the authenticity of the source before downloading Lcd Display C Programming. In conclusion, the internet offers numerous platforms and websites that allow users to download free PDF files legally. Whether its classic literature, research papers, or magazines, there is something for everyone. The platforms mentioned in this article, such as Project Gutenberg, Open Library, Academia.edu, and Issuu, provide access to a vast collection of PDF files. However, users should always be cautious and verify the legality of the source before downloading Lcd Display C Programming any PDF files. With these platforms, the world of PDF downloads is just a click away.

FAQs About Lcd Display C Programming Books

What is a Lcd Display C Programming PDF? A PDF (Portable Document Format) is a file format developed by Adobe that preserves the layout and formatting of a document, regardless of the software, hardware, or operating system used to view or print it. **How do I create a Lcd Display C Programming PDF?** There are several ways to create a PDF: Use software like Adobe Acrobat, Microsoft Word, or Google Docs, which often have built-in PDF creation tools. Print to PDF: Many applications and operating systems have a "Print to PDF" option that allows you to save a document as a PDF file instead of printing it on paper. Online converters: There are various online tools that can convert different file types to PDF. **How do I edit a Lcd Display C Programming PDF?** Editing a PDF can be done with software like Adobe Acrobat, which allows direct editing of text, images, and other elements within the PDF. Some free tools, like PDFescape or Smallpdf, also offer basic editing capabilities. **How do I convert a Lcd Display C Programming PDF to another file format?** There are multiple ways to convert a PDF to another format: Use online converters like Smallpdf, Zamzar, or Adobe Acrobats export feature to convert PDFs to formats like Word, Excel, JPEG, etc. Software like Adobe Acrobat, Microsoft Word, or other PDF editors may have options to export or save PDFs in different formats. **How do I password-protect a Lcd Display C Programming PDF?** Most PDF editing software allows you to add password protection. In Adobe Acrobat, for instance, you can go to "File" -> "Properties" -> "Security" to set a password to restrict access or editing capabilities. Are there any free alternatives to Adobe Acrobat for working with PDFs? Yes, there are many free alternatives for working with PDFs, such as: LibreOffice: Offers PDF editing features. PDFsam: Allows splitting, merging, and editing PDFs. Foxit Reader: Provides basic PDF viewing and editing capabilities. How do I compress a PDF file? You can use online tools like Smallpdf, ILovePDF, or desktop software like Adobe Acrobat to compress PDF files without significant quality loss. Compression reduces the file size, making it easier to share and download. Can I fill out forms in a PDF file? Yes, most PDF viewers/editors like Adobe Acrobat, Preview (on Mac), or various online tools allow you to fill out forms in PDF files by selecting text fields and entering information. Are

there any restrictions when working with PDFs? Some PDFs might have restrictions set by their creator, such as password protection, editing restrictions, or print restrictions. Breaking these restrictions might require specific software or tools, which may or may not be legal depending on the circumstances and local laws.

Find Lcd Display C Programming :

[furniture industry against french voc regulation](#)

fundamentals of electric circuits 5th solution scribd

[frank s budnick applied mathematics 4th edition sawnet](#)

[fundamentals of ecology eugene p odum](#)

[download opencart 1 4 template design cookbook](#)

[from standards to rubrics in six steps tools for assessing student learning](#)

gamp 5

[from gutenber to the internet a sourcebook on the history of information technology with an introductory essay comparing and contrasting the impact](#)

fundamentals of investments valuation management 5th edition

daily jigsaw puzzles for all ages from jigsawaday com

[free4vk boomle](#)

[fyi for your improvement a guide development and coaching michael m lombardo](#)

~~[fres general surgery viva topics and revision notes masterpass by brennan stephen 2011 paperback](#)~~

from field to fork food ethics for everyone

general physics multiple choice questions waves thermodynamics electricity and magnetism

Lcd Display C Programming :

[vmware vsphere 6 5 host resources deep dive virtually stable - Mar 10 2023](#)

web the vmware vsphere 6 5 host resources deep dive is a guide to building consistent high performing esxi hosts a book that people can t put down written for

vvols getting started guide vmware - Mar 30 2022

web the vmware vsphere 6 7 clustering deep dive is the long awaited follow up to best seller vsphere 5 1 clustering deep dive and zooms in on the critical components of every

publications frankdenneman nl - Feb 09 2023

web jul 23 2017 often referred to in the virtual community as the vsphere resource kit the host resource deep dive zooms in on hardware resources such as cpu and memory

[vmware vsphere 6 5 host resources deep dive](#) - May 12 2023

web the vmware vsphere 6 5 host resources deep dive is a guide to building consistent high performing esxi hosts a book that people can t put down written for

vmware vsphere 6 5 host resources deep dive guide books - Jul 14 2023

web the vmware vsphere 6 5 host resources deep dive is a guide to building consistent high performing esxi hosts written for administrators architects consultants aspiring

vmworld 2017 ser1872bu vmware vsphere 6 5 host - Apr 30 2022

web vmware vsphere 6 5 host resources deep dive mastering vrealize operations manager mastering vmware vsphere 5 5 vmware vsphere powercli reference mastering

vspeaking podcast episode 49 host resources - Nov 06 2022

web jun 20 2017 the vmware vsphere 6 5 host resources deep dive is a guide to building consistent high performing esxi hosts a book that people can t put down written for

vmware vsphere 6 5 host resources deep dive rubrik - Jun 13 2023

web the vmware vsphere 6 5 host resources deep dive is a guide to building consistent high performing esxi hosts a book that people can t put down written for

vmware vsphere 6 5 host resources deep dive - Aug 15 2023

web abstract from the author of the vsphere clustering deep dive series the vmware vsphere 6 5 host resources deep dive is a guide to building consistent high

vmware vsphere 6 5 host resources deep dive amazon com - Dec 27 2021

book vmware vsphere 6 5 host resources deep dive - Aug 03 2022

web nov 9 2017 after rubrik gave away at vmworld 2000 free copies of the printed version of vmware vsphere 6 5 host resources deep dive they partnered with vmug and

free e book vmware vsphere 6 5 host resources deep dive - Jun 01 2022

web vvols technical deep dive sto2446be replicating vmware vvols a technical deep dive into vvol array based replication in vsphere 6 5 sto3305bes vvols made easy

vmware vsphere 6 5 host resources deep dive a book review - Jul 02 2022

web vmworld 2017 ser1872bu vmware vsphere 6 5 host resources deep dive part 2

vmware vsphere 6 5 host resources deep dive kindle - Jan 08 2023

web often referred to in the virtual community as the vsphere resource kit the host resource deep dive zooms in on hardware resources such as cpu and memory and covers how

vmware vsphere 6 7 clustering deep dive guide books acm - Dec 07 2022

web nov 7 2017 the vmware vsphere 6 5 host resources deep dive is a guide to building consistent high performing esxi hosts a book that people can t put down written for

vmware vsphere 6 5 host resources deep dive google books - Apr 11 2023

web the vmware vsphere 6 5 host resources deep dive is a guide to building consistent high performing esxi hosts a book that people can t put down written for

vsphere high availability ha technical deepdive yellow bricks - Jan 28 2022

get your vmware vsphere 6 5 deep dive ebook rubrik - Oct 05 2022

web jun 29 2017 the vmware vsphere 6 5 host resources deep dive is a guide to building consistent high performing esxi hosts a book that people can t put down written for

vmware vsphere 6 5 host resources deep dive - Feb 26 2022

web jul 23 2017 the vmware vsphere 6 5 host resources deep dive is a guide to building consistent high performing esxi hosts a book that people can t put down written for

now available vmware vsphere 6 5 host resources deep dive - Sep 04 2022

web nov 6 2017 the host resources deep dive book spends a delightfully long time going into the interaction between vmkernel board virtual machine and other aspects of

thinking fast and slow kahneman daniel 9780385676533 - Nov 07 2022

web apr 2 2013 thinking fast and slow is kahneman s magnum opus the recapitulation of a lifetime spent exposing the weaknesses in received economic thinking simply by accurately observing the psychology of how people actually behave

thinking fast and slow kahneman daniel 9780374533557 - Jul 15 2023

web apr 2 2013 a bestseller by the nobel prize winning psychologist and economist this book explains the two systems of human cognition system 1 fast intuitive emotional and system 2 slower more deliberative logical it covers topics such as overconfidence happiness biases and choices in business and personal life

thinking fast and slow daniel kahneman google books - Apr 12 2023

web thinking fast and slow daniel kahneman farrar straus and giroux 2012 psychology 499 pages daniel kahneman recipient

of the nobel prize in economic sciences for his seminal

thinking fast and slow daniel kahneman paperback - Dec 08 2022

web may 10 2012 a bestselling book by the nobel prize winning economist and behavioural psychologist that reveals how our minds are tripped up by error and prejudice and gives you practical techniques for slower smarter thinking learn about the two ways we make choices fast intuitive thinking and slow rational thinking

thinking fast slow daniel kahneman archive org - Mar 31 2022

web apr 2 2021 thinking fast and slow addeddate 2021 04 02 02 34 55 identifier thinking fast slow identifier ark ark 13960 t1sg37w0q ocr tesseract 5 0 0 alpha 20201231 10 g1236

thinking fast and slow by daniel kahneman plot summary litcharts - Jan 29 2022

web intro thinking fast and slow summary next part 1 chapter 1 daniel kahneman begins by laying out his idea of the two major cognitive systems that comprise the brain which he calls system 1 and system 2 system 1 operates automatically intuitively and involuntarily

thinking fast and slow by daniel kahneman apa psycnet - May 01 2022

web feb 14 2012 reviews the book thinking fast and slow by daniel kahneman see record 2011 26535 000 the goal of the book is to communicate dual processing theory the idea that our brain engages in two different forms of thought

thinking fast and slow by daniel kahneman apa - Jun 02 2022

web discovered by one man daniel kahneman the author of the recently published thinking fast and slow kahneman has been a prominent leader in the field of cognitive science

pdf epub thinking fast and slow download oceanofpdf - Dec 28 2021

web oct 26 2019 brief summary of book thinking fast and slow by daniel kahneman here is a quick description and cover image of book thinking fast and slow written by daniel kahneman which was published in 2011 10 25 you can read this before thinking fast and slow pdf epub full download at the bottom

thinking fast and slow daniel kahneman google books - Jun 14 2023

web oct 25 2011 in his mega bestseller thinking fast and slow daniel kahneman the renowned psychologist and winner of the nobel prize in economics takes us on a groundbreaking tour of the mind and

thinking fast and slow penguin books uk - Aug 04 2022

web nobel prize winner daniel kahneman the world s most influential living psychologist steven pinker revolutionised our understanding of human behaviour with thinking fast and slow distilling his life s work kahneman shows how there are two ways we make choices fast intuitive thinking and slow rational thinking

thinking fast and slow daniel kahneman google books - Feb 10 2023

web oct 25 2011 in his mega bestseller thinking fast and slow daniel kahneman the renowned psychologist and winner of the nobel prize in economics takes us on a groundbreaking tour of the mind and explains the two systems that drive the way we think system 1 is fast intuitive and emotional system 2 is slower more deliberative and

thinking fast and slow kindle edition amazon com - Jul 03 2022

web oct 25 2011 thinking fast and slow kindle edition in his mega bestseller thinking fast and slow daniel kahneman the renowned psychologist and winner of the nobel prize in economics takes us on a groundbreaking tour of the mind and explains the two systems that drive the way we think

thinking fast and slow apa psycnet - Oct 06 2022

web abstract in the highly anticipated thinking fast and slow kahneman takes us on a groundbreaking tour of the mind and explains the two systems that drive the way we think system 1 is fast intuitive and emotional system 2

thinking fast and slow by daniel kahneman review - Mar 11 2023

web dec 13 2011 thinking fast and slow by daniel kahneman review an outstandingly clear and precise study of the dual process model of the brain and our embedded self delusions galen strawson

thinking fast and slow wikipedia - Aug 16 2023

web a 2011 popular science book by psychologist daniel kahneman that explains the two modes of thought system 1 fast automatic emotional and system 2 slow effortful logical the book covers topics such as heuristics biases loss aversion prospect theory happiness and more it was a bestseller and won a communication award

thinking fast and slow by daniel kahneman open library - Feb 27 2022

web apr 11 2023 in his mega bestseller thinking fast and slow daniel kahneman world famous psychologist and winner of the nobel prize in economics takes us on a groundbreaking tour of the mind and explains the two systems that drive the way we think system 1 is fast intuitive and emotional system 2 is slower more deliberative and

thinking fast and slow daniel kahneman fiyat satın al d r - Sep 05 2022

web thinking fast and slow kitap açıklaması daniel kahneman recipient of the nobel prize in economic sciences for his seminal work in psychology challenging the rational model of judgment and decision making is one of the world s most important thinkers his ideas have had a profound impact on many fields including business medicine and politics but

thinking fast and slow macmillan - Jan 09 2023

web apr 2 2013 book details major new york times bestseller more than 2 6 million copies sold one of the new york times book review s ten best books of the year selected by the wall street journal as one of the best nonfiction books of the year presidential medal of freedom recipient

thinking fast and slow daniel kahneman amazon com tr kitap - May 13 2023

web thinking fast and slow daniel kahnehan amazon com tr kitap kitap başvuru kaynakları yazı araştırma ve yayıncılık rehberleri ciltli kapak 547 34 tl ciltsiz 349 35 tl fiyatı 349 35 tl tutarından başlayan diğer yeni kitaplar normal fiyat 349 35 tl fiyatlara kdv dahildir Ücretsiz teslimat 27 ağustos pazar

[go deeper heroes in children s books the british library](#) - Dec 04 2022

web oct 7 2021 go deeper heroes in children s books who do you think of when you hear the word hero explore all the many different faces heroism can wear in children s literature who do you think of when you hear the word hero someone with superpowers or the main character in a book

books for kids wayward heroes kids books children download - May 29 2022

web books for kids wayward heroes kids books children 1 books for kids wayward heroes kids books children the rainbow fairy book across the green grass fields heroes of the frontier wayward down among the sticks and bones across the green grass fields the girls with no names inkling a mother s list of books for children

[best singapore children s books 18 options to borrow right now](#) - May 09 2023

web here we have compiled a selection of the best singapore children s books that are written and illustrated by local singaporeans suitable for kids aged 3 years and above

wayward children series in order by seanan mcguire fictiondb - Feb 06 2023

web series list wayward children 9 books by seanan mcguire a sortable list in reading order and chronological order with publication date genre and rating

18 fantastic children s books about real life heroes role - Sep 01 2022

web jul 31 2022 see full disclosure here read on to discover a great list of books about heroes for preschoolers up to middle school these real life heroes and role models are inspirational and include american historical figures and other famous people enjoy this collection of biographies for kids

[children s books about singapore to enjoy together honeykids](#) - Mar 07 2023

web mar 29 2022 children s books about singapore local stories to add to your kid s reading list by honeykids editorial mar 29 2022 looking for a bedtime story with a familiar setting we round up the best books for kids that tell stories about singapore

the 100 best heroes kids books - Jul 31 2022

web the 100 best heroes kids books top 10 heroes books 5 5 1 in series 01 even superheroes have bad days written by shelly becker illustrated by eda kaban 5 5 1 in series 02 super manny stands up written by kelly dipucchio illustrated by stephanie graegin 4 8 series 03 bedtime for batman

books for kids wayward heroes kids books children pdf - Apr 27 2022

web books for kids wayward heroes kids books children heroes read aloud how to be a superhero and change the world read aloud by reading pioneers academy how to be a hero a read aloud ten rules of being a superhero kids books read aloud dc super friends big heroes kids books read aloud a hero like you a story

[8 best books for kids in singapore by local authors time out](#) - Jan 05 2023

web 8 best books for kids in singapore by local authors photograph epigram books the best books for kids by local authors these children s picture books early readers and teen

books for kids wayward heroes kids books children s b - Oct 14 2023

web read reviews from the world s largest community for readers charlie benjie james wayward heroes of wayward honor ship were finding out the truth of the books for kids wayward heroes kids books children s books pirate story adventure story bedtime story for kids age 5 12 by j ryan goodreads

books for kids wayward heroes kids books children full pdf - Jun 29 2022

web books for kids wayward heroes kids books children across the green grass fields heroes of the frontier in an absent dream world light a mother s list of books for children a mother s list of books for children gribblebob s book of unpleasant goblins wayward the book of science and antiquities inkling the antlered ship our wayward

s for kids wayward heroes kids books children 2023 - Mar 27 2022

web home for wayward children she knew from the beginning that there would be children she couldn t save when cora decides she needs a different direction a different fate a different prophecy

the 100 best superheroes kids books - Feb 23 2022

web the 100 best superheroes kids books top 10 superheroes books 5 5 1 in series 01 super manny stands up written by kelly dipucchio illustrated by stephanie graegin 5 5 1 in series 02 even superheroes have bad days written by shelly becker illustrated by eda kaban 5 3 03 eliot jones midnight superhero

top 10 heroes from children s literature better reading - Oct 02 2022

web apr 20 2016 top 10 heroes from children s literature who do you think is the best kids book hero vote for your favourite children s book as better reading compiles a list of australia s top 50 kids books and you could win the entire final list

the ultimate heroes of children s books bbc culture - Jul 11 2023

web jul 24 2023 the 100 greatest children s books the ultimate heroes of children s books image credit alamy by cath pound 24th july 2023 from pippi longstocking to matilda the quirky

books for kids wayward heroes kids books children s books - Aug 12 2023

web oct 14 2015 books for kids wayward heroes kids books children s books pirate story adventure story bedtime story for kids age 5 12 kindle edition by ryan j download it once and read it on your kindle device pc phones or tablets

[wayward children series by seanan mcguire goodreads](#) - Sep 13 2023

web wayward children series seanan mcguire s hugo and nebula award winning wayward children series is the story of eleanor west s school for wayward children a boarding school for kids who come home from portal fantasy worlds and

[heroes and superheroes fiction nonfiction children s books](#) - Nov 03 2022

web children s books and activities heroes and superheroes many kids are fascinated by superheroes with their extraordinary powers and awesome adventures we also celebrate the lives of real life heroes athletes artists activists and government leaders role models who stood up for what s right and fair

[inspiring kids books that celebrate everyday heroes](#) - Apr 08 2023

web these kids books celebrate the everyday heroes who have touched our lives be they community helpers risking their personal safety for others or influential leaders actively working for change use them to inspire your reader to be a force for good themselves

books for kids wayward heroes kids books children s books - Jun 10 2023

web books for kids wayward heroes kids books children s books pirate story adventure story bedtime story for kids age 5 12 ebook ryan j amazon ca kindle store