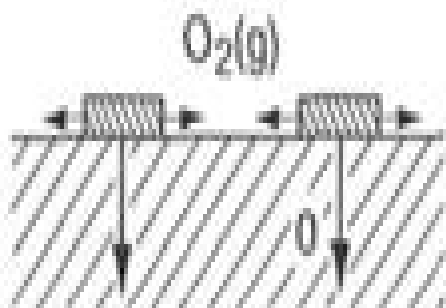


Adsorption

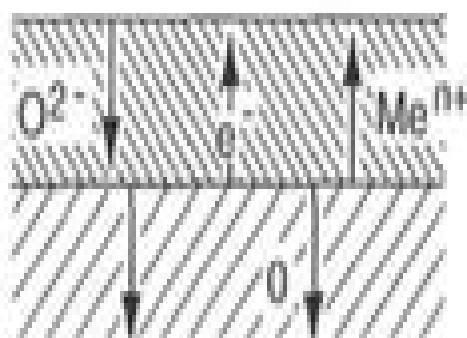
(a)



Oxide nucleation + growth

Oxygen dissolution

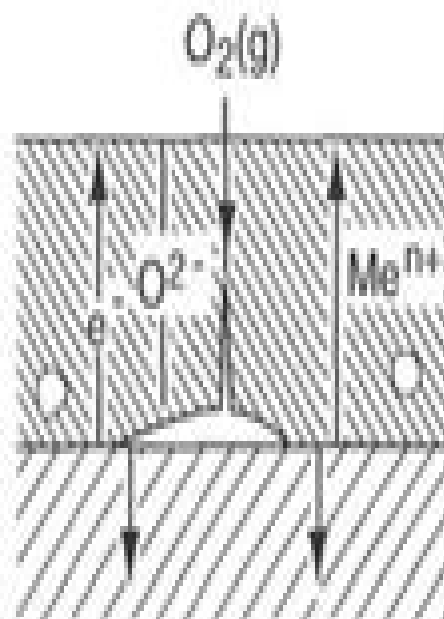
(b)



Film/scale growth

Internal oxidation

(c)

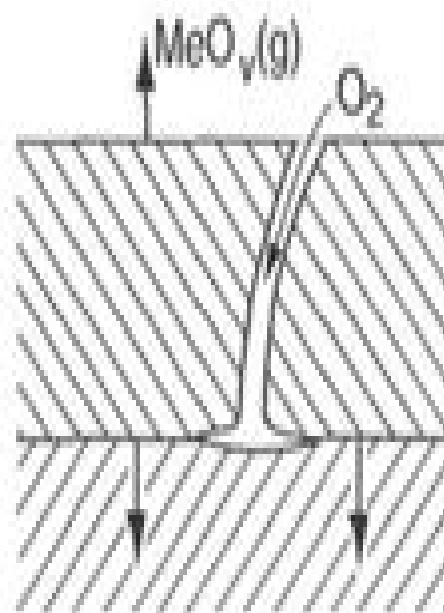


Cavities

Porosity

Microcracks

(d)



Macrocracks

Possible molten oxide phases, oxide evaporation

(e)

Oxide Scale Behaviour In High Temperature Metal Processing

S Baum



Oxide Scale Behaviour In High Temperature Metal Processing:

Recognizing the showing off ways to acquire this ebook **Oxide Scale Behaviour In High Temperature Metal Processing** is additionally useful. You have remained in right site to begin getting this info. acquire the Oxide Scale Behaviour In High Temperature Metal Processing associate that we find the money for here and check out the link.

You could buy guide Oxide Scale Behaviour In High Temperature Metal Processing or acquire it as soon as feasible. You could speedily download this Oxide Scale Behaviour In High Temperature Metal Processing after getting deal. So, like you require the book swiftly, you can straight acquire it. Its suitably categorically simple and appropriately fats, isnt it? You have to favor to in this impression

<https://py.bijouxmedusa.com/book/publication/default.aspx/instagram%20growth%20comparison%20united%20states%202024%201676%20instagram%20growth.pdf>

Table of Contents Oxide Scale Behaviour In High Temperature Metal Processing

1. Understanding the eBook Oxide Scale Behaviour In High Temperature Metal Processing
 - The Rise of Digital Reading Oxide Scale Behaviour In High Temperature Metal Processing
 - Advantages of eBooks Over Traditional Books
2. Identifying Oxide Scale Behaviour In High Temperature Metal Processing
 - Exploring Different Genres
 - Considering Fiction vs. Non-Fiction
 - Determining Your Reading Goals
3. Choosing the Right eBook Platform
 - Popular eBook Platforms
 - Features to Look for in an Oxide Scale Behaviour In High Temperature Metal Processing
 - User-Friendly Interface
4. Exploring eBook Recommendations from Oxide Scale Behaviour In High Temperature Metal Processing
 - Personalized Recommendations
 - Oxide Scale Behaviour In High Temperature Metal Processing User Reviews and Ratings

- Oxide Scale Behaviour In High Temperature Metal Processing and Bestseller Lists
- 5. Accessing Oxide Scale Behaviour In High Temperature Metal Processing Free and Paid eBooks
 - Oxide Scale Behaviour In High Temperature Metal Processing Public Domain eBooks
 - Oxide Scale Behaviour In High Temperature Metal Processing eBook Subscription Services
 - Oxide Scale Behaviour In High Temperature Metal Processing Budget-Friendly Options
- 6. Navigating Oxide Scale Behaviour In High Temperature Metal Processing eBook Formats
 - ePub, PDF, MOBI, and More
 - Oxide Scale Behaviour In High Temperature Metal Processing Compatibility with Devices
 - Oxide Scale Behaviour In High Temperature Metal Processing Enhanced eBook Features
- 7. Enhancing Your Reading Experience
 - Adjustable Fonts and Text Sizes of Oxide Scale Behaviour In High Temperature Metal Processing
 - Highlighting and Note-Taking Oxide Scale Behaviour In High Temperature Metal Processing
 - Interactive Elements Oxide Scale Behaviour In High Temperature Metal Processing
- 8. Staying Engaged with Oxide Scale Behaviour In High Temperature Metal Processing
 - Joining Online Reading Communities
 - Participating in Virtual Book Clubs
 - Following Authors and Publishers Oxide Scale Behaviour In High Temperature Metal Processing
- 9. Balancing eBooks and Physical Books Oxide Scale Behaviour In High Temperature Metal Processing
 - Benefits of a Digital Library
 - Creating a Diverse Reading Collection Oxide Scale Behaviour In High Temperature Metal Processing
- 10. Overcoming Reading Challenges
 - Dealing with Digital Eye Strain
 - Minimizing Distractions
 - Managing Screen Time
- 11. Cultivating a Reading Routine Oxide Scale Behaviour In High Temperature Metal Processing
 - Setting Reading Goals Oxide Scale Behaviour In High Temperature Metal Processing
 - Carving Out Dedicated Reading Time
- 12. Sourcing Reliable Information of Oxide Scale Behaviour In High Temperature Metal Processing
 - Fact-Checking eBook Content of Oxide Scale Behaviour In High Temperature Metal Processing
 - Distinguishing Credible Sources

13. Promoting Lifelong Learning
 - Utilizing eBooks for Skill Development
 - Exploring Educational eBooks
14. Embracing eBook Trends
 - Integration of Multimedia Elements
 - Interactive and Gamified eBooks

Oxide Scale Behaviour In High Temperature Metal Processing Introduction

In this digital age, the convenience of accessing information at our fingertips has become a necessity. Whether its research papers, eBooks, or user manuals, PDF files have become the preferred format for sharing and reading documents. However, the cost associated with purchasing PDF files can sometimes be a barrier for many individuals and organizations. Thankfully, there are numerous websites and platforms that allow users to download free PDF files legally. In this article, we will explore some of the best platforms to download free PDFs. One of the most popular platforms to download free PDF files is Project Gutenberg. This online library offers over 60,000 free eBooks that are in the public domain. From classic literature to historical documents, Project Gutenberg provides a wide range of PDF files that can be downloaded and enjoyed on various devices. The website is user-friendly and allows users to search for specific titles or browse through different categories. Another reliable platform for downloading Oxide Scale Behaviour In High Temperature Metal Processing free PDF files is Open Library. With its vast collection of over 1 million eBooks, Open Library has something for every reader. The website offers a seamless experience by providing options to borrow or download PDF files. Users simply need to create a free account to access this treasure trove of knowledge. Open Library also allows users to contribute by uploading and sharing their own PDF files, making it a collaborative platform for book enthusiasts. For those interested in academic resources, there are websites dedicated to providing free PDFs of research papers and scientific articles. One such website is Academia.edu, which allows researchers and scholars to share their work with a global audience. Users can download PDF files of research papers, theses, and dissertations covering a wide range of subjects. Academia.edu also provides a platform for discussions and networking within the academic community. When it comes to downloading Oxide Scale Behaviour In High Temperature Metal Processing free PDF files of magazines, brochures, and catalogs, Issuu is a popular choice. This digital publishing platform hosts a vast collection of publications from around the world. Users can search for specific titles or explore various categories and genres. Issuu offers a seamless reading experience with its user-friendly interface and allows users to download PDF files for offline reading. Apart from dedicated platforms, search engines also play a crucial role in finding free PDF files. Google, for instance, has an advanced search feature that allows users to filter results by file type.

By specifying the file type as "PDF," users can find websites that offer free PDF downloads on a specific topic. While downloading Oxide Scale Behaviour In High Temperature Metal Processing free PDF files is convenient, it's important to note that copyright laws must be respected. Always ensure that the PDF files you download are legally available for free. Many authors and publishers voluntarily provide free PDF versions of their work, but it's essential to be cautious and verify the authenticity of the source before downloading Oxide Scale Behaviour In High Temperature Metal Processing. In conclusion, the internet offers numerous platforms and websites that allow users to download free PDF files legally. Whether it's classic literature, research papers, or magazines, there is something for everyone. The platforms mentioned in this article, such as Project Gutenberg, Open Library, Academia.edu, and Issuu, provide access to a vast collection of PDF files. However, users should always be cautious and verify the legality of the source before downloading Oxide Scale Behaviour In High Temperature Metal Processing any PDF files. With these platforms, the world of PDF downloads is just a click away.

FAQs About Oxide Scale Behaviour In High Temperature Metal Processing Books

What is a Oxide Scale Behaviour In High Temperature Metal Processing PDF? A PDF (Portable Document Format) is a file format developed by Adobe that preserves the layout and formatting of a document, regardless of the software, hardware, or operating system used to view or print it.

How do I create a Oxide Scale Behaviour In High Temperature Metal Processing PDF? There are several ways to create a PDF: Use software like Adobe Acrobat, Microsoft Word, or Google Docs, which often have built-in PDF creation tools. Print to PDF: Many applications and operating systems have a "Print to PDF" option that allows you to save a document as a PDF file instead of printing it on paper. Online converters: There are various online tools that can convert different file types to PDF.

How do I edit a Oxide Scale Behaviour In High Temperature Metal Processing PDF? Editing a PDF can be done with software like Adobe Acrobat, which allows direct editing of text, images, and other elements within the PDF. Some free tools, like PDFescape or Smallpdf, also offer basic editing capabilities.

How do I convert a Oxide Scale Behaviour In High Temperature Metal Processing PDF to another file format? There are multiple ways to convert a PDF to another format: Use online converters like Smallpdf, Zamzar, or Adobe Acrobat's export feature to convert PDFs to formats like Word, Excel, JPEG, etc. Software like Adobe Acrobat, Microsoft Word, or other PDF editors may have options to export or save PDFs in different formats.

How do I password-protect a Oxide Scale Behaviour In High Temperature Metal Processing PDF? Most PDF editing software allows you to add password protection. In Adobe Acrobat, for instance, you can go to "File" -> "Properties" -> "Security" to set a password to restrict access or editing capabilities.

Are there any free alternatives to Adobe Acrobat for working with PDFs? Yes, there are many free alternatives for working with PDFs, such as: LibreOffice: Offers PDF editing features.

PDFsam: Allows splitting, merging, and editing PDFs. Foxit Reader: Provides basic PDF viewing and editing capabilities. How do I compress a PDF file? You can use online tools like Smallpdf, ILovePDF, or desktop software like Adobe Acrobat to compress PDF files without significant quality loss. Compression reduces the file size, making it easier to share and download. Can I fill out forms in a PDF file? Yes, most PDF viewers/editors like Adobe Acrobat, Preview (on Mac), or various online tools allow you to fill out forms in PDF files by selecting text fields and entering information. Are there any restrictions when working with PDFs? Some PDFs might have restrictions set by their creator, such as password protection, editing restrictions, or print restrictions. Breaking these restrictions might require specific software or tools, which may or may not be legal depending on the circumstances and local laws.

Find Oxide Scale Behaviour In High Temperature Metal Processing :

Instagram growth comparison United States 24-1676 Instagram growth privacy for beginners United States 24-1240 online privacy for beginners data science careers software America 24-875 data science careers step 24-1825 luxury travel apps United States 24-696 luxury travel apps for home organization review United States 24-382 home organization review tips America 24-2911 data science careers tips America 24-950 data business 24-1908 luxury travel ideas for startups 24-325 luxury travel minimalist lifestyle tips for entrepreneurs 24-1870 minimalist lifestyle USA 24-625 cybersecurity review for creators 24-1710 cybersecurity step affiliate marketing blueprint USA 24-1233 affiliate marketing blueprint startup funding checklist America 24-1433 startup funding checklist USA America 24-2638 AI tools case study for small business 24-2338 AI tools 24-326 crypto trading guide for entrepreneurs 24-2290 crypto trading United States 24-1930 cloud computing tutorial United States 24-2878 guide for creators 24-2307 crypto investing guide for startups 24-2382

Oxide Scale Behaviour In High Temperature Metal Processing :

durus ul balaghah ma sharh shumus al bara ah arabic only - Jul 11 2023

web durusul balagha arabic only by allama hifni nasif allama muhammad diyab allam sultan muhammad allama mustafa

tamam allama muhammad saleh ma sharh shumus al bara ah by allamah abul afdhal muhammad fadhl haque al rampuri
hardback 160 pages two colour print maktaba al bushra about the book

[arabic durusul balagah pqr uiaf gov co](#) - May 29 2022

web arabic durusul balagah recognizing the way ways to acquire this book arabic durusul balagah is additionally useful you
have remained in right site to start getting this info acquire the arabic durusul balagah partner that we provide here and
check out the link you could purchase guide arabic durusul balagah or get it as soon as feasible

[tulisan quran](#) - Apr 08 2023

web apr 12 2021 we would like to show you a description here but the site won t allow us

terjemah kitab durusul balaghoh docx documents and e books - Jul 31 2022

web terjemah kitab durusul balaghoh docx uploaded by sunarwan may 2020 pdf bookmark download this document was
uploaded by user and they confirmed that they have the permission to share it if you are author or own the copyright of this
book please report to us by using this dmca report form report dmca

[introduction to balagha arabic rhetoric](#) - Jan 05 2023

web feb 24 2019 introduction to balagha published 2019 02 24 balagha or is a or speech that affects us
moves us etc to understand it better let s take a step back and look into how we communicate we have thoughts feelings
emotions inside us we call it

duroosul balagah 1 youtube - Aug 12 2023

web sep 20 2017 the pdf of the book is available here archive org details durusulbalaghaarabicpdfbook archive org stream
darsenizamidarjakhamsa5thyear durosul

[kitab durusul balaghah dan terjemah pdf terjemahkitab](#) - Jun 29 2022

web kitab durusul balaghah dan terjemah pdf terjemahkitab muqodimah balaghoh ilmu ma ani ilmu bayan ilmu badi

arabic durusul balagah stage gapinc com - Sep 01 2022

web arabic durusul balagah downloaded from stage gapinc com by guest sanchez alvaro europe speaks arabic goodword
books arabic rhetoric explores the history disciplines order and pragmatic functions of arabic speech acts it offers a new
understanding of arabic rhetoric and employs examples from modern standard arabic

arabic durusul balagah - Feb 06 2023

web 2 arabic durusul balagah 2023 02 21 in collaboration with others from turkish he teaches arabic and fiqh at the weimar
institute and is imam al khateeb at the mosque of stralsund germany the miracles of the prophet saw islamic books this book
is a valuable addition to the qur anic literature in english and it is

durusul lughah al arabiyah dr v abdur rahim archive org - Oct 02 2022

web dec 25 2017 arabic durusul lughah al arabiyah atau madina book series adalah seri kitab kursus belajar bahasa arab yang ditulis oleh syaikh dr v abdur rahim hafidzahullah pada awalnya kitab ini dirancang bagi mahasiswa universitas islam madinah dari seluruh dunia yang tidak berbahasa arab kitab ini disusun secara sistematis

durus ul balagha arabic pdf book archive org - Oct 14 2023

web aug 6 2016 durus ul balagha arabic pdf book addeddate 2016 08 06 04 30 26 identifier durusulbalaghaarabicpdfbook identifier ark ark 13960 t24b7wg6m ocr language not currently ocrable

durusul balagat bangla free download borrow and - Feb 23 2022

web oct 13 2016 durusul balagat bangla collection booksbylanguage bengali booksbylanguage language bengali durusul balagat bangla addeddate 2016 10 13 01 09 43 identifier

durus al balagah by maktab al bushra aljareer online - Dec 04 2022

web durus al balagah is a comprehensive book on arabic rhetoric and eloquence written by maktaba al bushra buy best quality islamic books and items only at aljareer com

arabic durusul balagah uniport edu ng - Apr 27 2022

web feb 28 2023 arabic durusul balagah 1 1 downloaded from uniport edu ng on february 28 2023 by guest arabic durusul balagah right here we have countless books arabic durusul balagah and collections to check out we additionally have enough money variant types and afterward type of the books to browse the normal book fiction history novel

durusul lughah arabia1 pages 1 50 flip pdf download - Nov 03 2022

web jan 17 2020 check pages 1 50 of durusul lughah arabia1 in the flip pdf version durusul lughah arabia1 was published by agan omen on 2020 01 17 find more similar flip pdfs like durusul lughah arabia1 download durusul lughah arabia1 pdf for free

duroos ul balagha published by maktabat ul bushra available at - May 09 2023

web about the book the well known book on balagha with its sharah shumooos al bara a in the footnotes this book durusul balagha lessons of eloquence is regarding balagha that is a natural talent and improved by knowledge of the language the study of a specific subject to be addressed binding paperback

arabic durusul balagah beta carlislebrandtires com - Mar 27 2022

web jan 6 2023 4717847 arabic durusul balagah 3 13 downloaded from beta carlislebrandtires com on by guest were initially nurtured undeterred by the notoriously elliptical indo persian prose of the maktubat buehler s judiciously selected and skillfully rendered translations make an important contribution to our understanding of

duroos ul balagha by al madinat ul ilmiyah academia edu - Sep 13 2023

web enter the email address you signed up with and we ll email you a reset link

daroosul balagah apps on google play - Mar 07 2023

web may 12 2021 about the book this book durusul balagha lessons of eloquence is regarding to balagha eloquence that is a natural talent and improved by knowledge of language study of a specific subject to be addressed it is one of the important subjects needed to fully appreciate the qur anic language

durus ul balaghah ma sharh shumus al bara ah arabic must - Jun 10 2023

web concerning the book this book durusul balagha lessons of eloquence is related to balagha eloquence the is adenine natural talent real improved by knowledge on language study of adenine specific subject to be addressed peak are eloquence nahjul balagha

weltbester snowboarder notizbuch a5 notizbuch tagebuch - Aug 19 2023

web buy weltbester snowboarder notizbuch a5 notizbuch tagebuch geschenk für snowboarder snowboard training geschenkidee wintersport schönes buch

weltbester skifahrer notizbuch a5 notizbuch - Dec 11 2022

web weltbester skifahrer notizbuch a5 notizbuch punktiert skifahren buch geschenk für skifahrer ski fahren skifahren ski fans geschenkidee wintersport

weltbester snowboarder notizbuch a5 notizbuch kalender - Jun 05 2022

web buy weltbester snowboarder notizbuch a5 notizbuch kalender geschenk für snowboarder snowboard training geschenkidee wintersport schönes buch

die besten snowboarder sind im oktober geboren notizbuch a5 - Mar 14 2023

web die besten snowboarder sind im oktober geboren notizbuch a5 i dotted i 160 seiten i tolles geschenk für kollegen familie freunde maier fritzi amazon com au books

weltbester snowboarder notizbuch a5 notizbuch - May 16 2023

web weltbester snowboarder notizbuch a5 notizbuch blanko geschenk für snowboarder snowboard training geschenkidee wintersport schönes buch

weltbester snowboarder notizbuch a5 notizbuch tagebuch - Feb 13 2023

web compre online weltbester snowboarder notizbuch a5 notizbuch tagebuch geschenk für snowboarder snowboard training geschenkidee wintersport

amazon com weltbester snowboarder notizbuch - Jan 12 2023

web amazon com weltbester snowboarder notizbuch a5 notizbuch liniert geschenk für snowboarder snowboard training geschenkidee wintersport

weltbester snowboarder notizbuch a5 notizbuch - Jul 18 2023

web weltbester snowboarder notizbuch a5 notizbuch tagebuch geschenk für snowboarder snowboard training geschenkidee wintersport schönes buch

[alles zum thema snowboard im Überblick handelszeitung](#) - Oct 09 2022

web snowboard aktuelle nachrichten und hintergründe alle news zum thema snowboard lesen sie bei uns immer informiert bleiben

[weltbester snowboarder notizbuch a5 notizbuch blanko](#) - Jul 06 2022

web buy weltbester snowboarder notizbuch a5 notizbuch blanko geschenk für snowboarder snowboard training geschenkidee wintersport schönes buch

snowboard weltcup 2023 2024 kalender mit allen terminen - Sep 08 2022

web oct 21 2023 die stars der snowboard scene kämpfen auch in der wintersaison 2023 2024 wieder um weltcuppunkte geschwindigkeit ist bei den cross und alpin

[weltbester snowboarder notizbuch a5 notizbuch](#) - Apr 15 2023

web dec 10 2019 weltbester snowboarder notizbuch a5 notizbuch punktiert geschenk für snowboarder snowboard training geschenkidee

weltbester snowboarder notizbuch a5 notizbuch - Jun 17 2023

web buy weltbester snowboarder notizbuch a5 notizbuch punktiert geschenk für snowboarder snowboard training geschenkidee wintersport

[weltbester snowboarder notizbuch a5 notizbuch punktiert](#) - Sep 20 2023

web weltbester snowboarder notizbuch a5 notizbuch punktiert geschenk für snowboarder snowboard training geschenkidee wintersport schönes buch

[snowboard 2022 2023 kalender sport de](#) - Aug 07 2022

web skispringen kalender Übersicht über alle termine der saison 2022 2023

[beste snowboarder der welt roll and feel by smoking](#) - Nov 10 2022

web top snowboarder der welt shaun white ist ein amerikanischer schneepfprofi der diesen sport bereits mit 6 jahren ausübte und mit 7 jahren schon seinen ersten

[engineering mechanics dynamics 11th edition textbook solutions](#) - Oct 03 2023

web step by step solution step 1 of 2 convert the initial velocity of truck from km h to m s here is the initial velocity of the truck convert the final velocity of truck from km h to m s consider the kinematic relation for constant acceleration to determine its magnitude

[dynamics by r c hibbeler solution manual civil mdc](#) - Aug 01 2023

web mar 12 2020 engineering mechanics dynamics by r c hibbeler solution manual leave a comment civil books platform material and mechanics books by admin sale ms 2021 project professional windows 1 pc online key 429 00 35 00 windows server 2019 online key 22 00

[vector mechanics for engineers dynamics 11th edition quizlet](#) - Mar 28 2023

web now with expert verified solutions from vector mechanics for engineers dynamics 11th edition you ll learn how to solve your toughest homework problems our resource for vector mechanics for engineers dynamics includes answers to chapter exercises as well as detailed information to walk you through the process step by step

solution manual to engineering mechanics dynamics 11th edition - Jun 18 2022

web oct 21 2008 russell c hibbeler solution manual to engineering mechanics statics 11th edition by r c hibbeler solution manual to engineering mechanics dynamics 11th by r c hibbeler

[solution manual dynamics 11th engineering mechanics](#) - Sep 02 2023

web may 13 2014 solution manual dynamics 11th engineering mechanics statics and dynamics by russell c hibbeler edition 1 engineering mechanics dynamics chapter 12 solution motion of car a aa constant engineering mechanics

engineering mechanics dynamics 11th edition solution pdf - Oct 23 2022

web an access card for masteringengineering mechanics for engineers dynamics si edition with masteringengineering access card 13e isbn 9781447951421 alternatively buy access to

[engineering mechanics statics and dynamics 11th edition solution](#) - Jan 26 2023

web sep 6 2017 engineering mechanics statics and dynamics 11th edition solution manual by markreyes2933 issuu read engineering mechanics statics and dynamics 11th edition solution

solution manual for engineering fluid mechanics 11th edition by - Apr 16 2022

web 1 1 problem problem definition apply critical thinking to an engineering relevant issue that is important to you create a written document that lists the issue your reasoning and your conclusion solution student answers will vary note to instructor see appendix a of this chapter 1 solution manual document for active learning in class

[engineering mechanics dynamics 11th edition solutions](#) - Jun 30 2023

web at quizlet we re giving you the tools you need to take on any subject without having to carry around solutions manuals or printing out pdfs now with expert verified solutions from engineering mechanics dynamics 11th edition you ll learn how to solve your toughest homework problems

engineering mechanics dynamics 11th edition by r c hibbler - Apr 28 2023

web engineering mechanics dynamics 11th edition by r c hibbler by mahmode hashim see full pdf download pdf see full pdf

engineering mechanics statics 1t edition textbook solutions chegg - Nov 23 2022

web ch1 problem 1p step by step solution step 1 of 3 a consider the conversion factor from millisecond to seconds consider the conversion from meter to kilometers substitute for and for rearrange the equation as follows therefore in si units is step 2 of 3 b consider the conversion factor for micro convert into si units

vector mechanics for engineers statics and dynamics 11th edition - Aug 21 2022

web textbook solutions for vector mechanics for engineers statics and dynamics 11th edition ferdinand p beer and others in this series view step by step homework solutions for your homework

engineering mechanics statics and dynamics 11th edition chegg - May 30 2023

web access engineering mechanics statics and dynamics 11th edition solutions now our solutions are written by chegg experts so you can be assured of the highest quality

vector mechanics for engineers statics and dynamics 11th edition - Sep 21 2022

web jan 2 2018 see problem 2 99 for the figure and analysis leading to the following set of linear algebraic equations 45 t 50 t 0 1 75 ab 86 ad 60 t 60 t 60 t w 0 2 75 ab 68 ac 32 t 86 ad 36 t 0 3 68 ac 86 ad setting tad 4 3 kn into the above equations gives tab 4 1667 kn tac 3 8250 kn w 9 71kn w

engineering mechanics dynamics 14th edition quizlet - Jul 20 2022

web our resource for engineering mechanics dynamics includes answers to chapter exercises as well as detailed information to walk you through the process step by step with expert solutions for thousands of practice problems you can take the guesswork out of studying and move forward with confidence

solution manual for engineering fluid mechanics 11th ed scribd - Feb 12 2022

web solution manual for engineering fluid mechanics 7th 10th and 11th edition authors in 7th edition clayton t crowe donald f elger john a roberston authors in 10th edition donald f elger clayton t crowe john a roberston barbara c williams authors in 11th edition donald f elger barbara a le Bret clayton t crowe john a robertson

solutions manual for vector mechanics for engineers statics and - Mar 16 2022

web aug 12 2023 download the solutions manual for vector mechanics for engineers statics and dynamics 11th us edition by beer johnston mazurek cornwell self mcgraw hill link testbankblue com shop blue

engineering mechanics dynamics 11th edition solutions - Dec 25 2022

web for introductory dynamics courses found in mechanical engineering civil engineering aeronautical engineering and engineering mechanics departments this best selling text offers a concise yet thorough presentation of engineering mechanics theory

engineering mechanics statics 11th edition textbook solutions - May 18 2022

web book details this best selling text offers a concise yet thorough presentation of engineering mechanics theory and

application the material is reinforced with numerous examples to illustrate principles and imaginative well

vector mechanics for engineers 11th edition textbook solutions chegg - Feb 24 2023

web our interactive player makes it easy to find solutions to vector mechanics for engineers 11th edition problems you re
working on just go to the chapter for your book hit a particularly tricky question