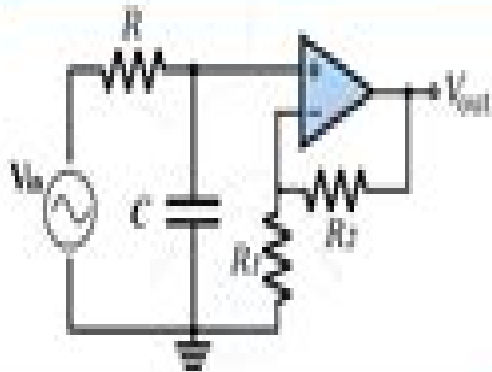


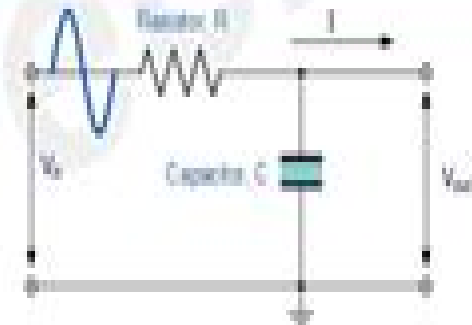
DIFFERENCES BETWEEN

ACTIVE FILTER



VS

PASSIVE FILTER



COMPARISON TABLE

| Feature | Passive Filter | Active Filter |
|-------------------|----------------|---------------|
| Power Supply | Not Required | Required |
| Components Used | R, L, C | Op-Amps, R, C |
| Gain | Cannot Amplify | Can Amplify |
| Size & Complexity | Simple | Complex |
| Frequency Range | Limited | Wide |

Passive Filter Vs Active Filter Engineering Course

University of Michigan--Dearborn



Passive Filter Vs Active Filter Engineering Course:

Power Engineering Viorel Badescu, George Cristian Lazaroiu, Linda Barelli, 2018-12-07 Traditionally power engineering has been a subfield of energy engineering and electrical engineering which deals with the generation transmission distribution and utilization of electric power and the electrical devices connected to such systems including generators motors and transformers Implicitly this perception is associated with the generation of power in large hydraulic thermal and nuclear plants and distributed consumption Faced with the climate change phenomena humanity has had to now contend with changes in attitudes in respect of environment protection and depletion of classical energy resources These have had consequences in the power production sector already faced with negative public opinions on nuclear energy and favorable perception of renewable energy resources and about distributed power generation The objective of this edited book is to review all these changes and to present solutions for future power generation Future energy systems must factor in the changes and developments in technology like improvements of natural gas combined cycles and clean coal technologies carbon dioxide capture and storage advancements in nuclear reactors and hydropower renewable energy engineering power to gas conversion and fuel cells energy crops new energy vectors biomass hydrogen thermal energy storage new storage systems diffusion modern substations high voltage engineering equipment and compatibility HVDC transmission with FACTS advanced optimization in a liberalized market environment active grids and smart grids power system resilience power quality and cost of supply plug in electric vehicles smart metering control and communication technologies new key actors as prosumers smart cities The emerging research will enhance the security of energy systems safety in operation protection of environment improve energy efficiency reliability and sustainability The book reviews current literature in the advances innovative options and solutions in power engineering It has been written for researchers engineers technicians and graduate and doctorate students interested in power engineering

International Conference on Simulation in Engineering Education Hamid Vakilzadian, 1992 **Courses Catalog - University of Illinois at Urbana-Champaign** University of Illinois at Urbana-Champaign, 1994 Includes undergraduate and graduate courses *Undergraduate Announcement* University of Michigan--Dearborn, 1983 *Cornell University Courses of Study* Cornell University, 2006 *The International Journal of Engineering Education* ,1992 **IEEE Circuits & Devices** ,1993 *IEEE Region 5 Conference* ,1986 **IEEE Proceedings of the Southeastcon** ,1984 High-frequency Circuit Engineering Ferdinand Nibler, 1996

This is a translation of a successful German text *Hochfrequenztechnik* published by Expert Verlag originally based on an advanced professional training course given at the Technical Academy of Esslingen The book will be of value to students from senior undergraduates upwards in electronics specialising in RF HF to practising engineers involved in HF work and will also be of keen interest to the burgeoning amateur RF community It covers the basic principles of HF semiconductor electronics through specific examples in circuit development and modern measurement technology along with consideration of the

influence of the computer in switching technology College of Engineering Cornell University. College of Engineering,1975 Evolutionary Algorithms in Engineering and Computer Science K. Miettinen,1999-07-09 Evolutionary Algorithms in Engineering and Computer Science Edited by K Miettinen University of Jyv skyl Finland M M M kel University of Jyv skyl Finland P Neittaanm ki University of Jyv skyl Finland J P riaux Dassault Aviation France What is Evolutionary Computing Based on the genetic message encoded in DNA and digitalized algorithms inspired by the Darwinian framework of evolution by natural selection Evolutionary Computing is one of the most important information technologies of our times Evolutionary algorithms encompass all adaptive and computational models of natural evolutionary systems genetic algorithms evolution strategies evolutionary programming and genetic programming In addition they work well in the search for global solutions to optimization problems allowing the production of optimization software that is robust and easy to implement Furthermore these algorithms can easily be hybridized with traditional optimization techniques This book presents state of the art lectures delivered by international academic and industrial experts in the field of evolutionary computing It bridges artificial intelligence and scientific computing with a particular emphasis on real life problems encountered in application oriented sectors such as aerospace electronics telecommunications energy and economics This rapidly growing field with its deep understanding and assessment of complex problems in current practice provides an effective modern engineering tool This book will therefore be of significant interest and value to all postgraduates research scientists and practitioners facing complex optimization problems **Proceedings** American Society for Engineering Education. Conference,1992 **Journal of Electrical and Electronics Engineering, Australia** ,1983 **Electrical Engineering in Japan** ,1989 *Proceedings of the ... Midwest Symposium on Circuits and Systems* ,1993 **Journal of the Audio Engineering Society** Audio Engineering Society,2000 Directory of members published as pt 2 of Apr 1954 issue **Engineering Education for the 21st Century** Dan Budny,1995 **Televised Higher Education** Western Interstate Commission for Higher Education,1984 THE Catalog is a comprehensive listing of videocourses appropriate for postsecondary level study on a wide range of academic fields **Proceedings** American Society for Engineering Education,1988

As recognized, adventure as skillfully as experience approximately lesson, amusement, as with ease as settlement can be gotten by just checking out a books **Passive Filter Vs Active Filter Engineering Course** next it is not directly done, you could agree to even more on the subject of this life, on the world.

We find the money for you this proper as well as simple quirk to get those all. We have enough money Passive Filter Vs Active Filter Engineering Course and numerous books collections from fictions to scientific research in any way. along with them is this Passive Filter Vs Active Filter Engineering Course that can be your partner.

https://py.bijouxmedusa.com/data/book-search/Download_PDFS/Libro%20Di%20Geometria%20Scuola%20Media%20Pdf.pdf

Table of Contents Passive Filter Vs Active Filter Engineering Course

1. Understanding the eBook Passive Filter Vs Active Filter Engineering Course
 - The Rise of Digital Reading Passive Filter Vs Active Filter Engineering Course
 - Advantages of eBooks Over Traditional Books
2. Identifying Passive Filter Vs Active Filter Engineering Course
 - Exploring Different Genres
 - Considering Fiction vs. Non-Fiction
 - Determining Your Reading Goals
3. Choosing the Right eBook Platform
 - Popular eBook Platforms
 - Features to Look for in an Passive Filter Vs Active Filter Engineering Course
 - User-Friendly Interface
4. Exploring eBook Recommendations from Passive Filter Vs Active Filter Engineering Course
 - Personalized Recommendations
 - Passive Filter Vs Active Filter Engineering Course User Reviews and Ratings
 - Passive Filter Vs Active Filter Engineering Course and Bestseller Lists
5. Accessing Passive Filter Vs Active Filter Engineering Course Free and Paid eBooks

- Passive Filter Vs Active Filter Engineering Course Public Domain eBooks
 - Passive Filter Vs Active Filter Engineering Course eBook Subscription Services
 - Passive Filter Vs Active Filter Engineering Course Budget-Friendly Options
6. Navigating Passive Filter Vs Active Filter Engineering Course eBook Formats
 - ePub, PDF, MOBI, and More
 - Passive Filter Vs Active Filter Engineering Course Compatibility with Devices
 - Passive Filter Vs Active Filter Engineering Course Enhanced eBook Features
 7. Enhancing Your Reading Experience
 - Adjustable Fonts and Text Sizes of Passive Filter Vs Active Filter Engineering Course
 - Highlighting and Note-Taking Passive Filter Vs Active Filter Engineering Course
 - Interactive Elements Passive Filter Vs Active Filter Engineering Course
 8. Staying Engaged with Passive Filter Vs Active Filter Engineering Course
 - Joining Online Reading Communities
 - Participating in Virtual Book Clubs
 - Following Authors and Publishers Passive Filter Vs Active Filter Engineering Course
 9. Balancing eBooks and Physical Books Passive Filter Vs Active Filter Engineering Course
 - Benefits of a Digital Library
 - Creating a Diverse Reading Collection Passive Filter Vs Active Filter Engineering Course
 10. Overcoming Reading Challenges
 - Dealing with Digital Eye Strain
 - Minimizing Distractions
 - Managing Screen Time
 11. Cultivating a Reading Routine Passive Filter Vs Active Filter Engineering Course
 - Setting Reading Goals Passive Filter Vs Active Filter Engineering Course
 - Carving Out Dedicated Reading Time
 12. Sourcing Reliable Information of Passive Filter Vs Active Filter Engineering Course
 - Fact-Checking eBook Content of Passive Filter Vs Active Filter Engineering Course
 - Distinguishing Credible Sources
 13. Promoting Lifelong Learning
 - Utilizing eBooks for Skill Development

- Exploring Educational eBooks
14. Embracing eBook Trends
- Integration of Multimedia Elements
 - Interactive and Gamified eBooks

Passive Filter Vs Active Filter Engineering Course Introduction

In the digital age, access to information has become easier than ever before. The ability to download Passive Filter Vs Active Filter Engineering Course has revolutionized the way we consume written content. Whether you are a student looking for course material, an avid reader searching for your next favorite book, or a professional seeking research papers, the option to download Passive Filter Vs Active Filter Engineering Course has opened up a world of possibilities. Downloading Passive Filter Vs Active Filter Engineering Course provides numerous advantages over physical copies of books and documents. Firstly, it is incredibly convenient. Gone are the days of carrying around heavy textbooks or bulky folders filled with papers. With the click of a button, you can gain immediate access to valuable resources on any device. This convenience allows for efficient studying, researching, and reading on the go. Moreover, the cost-effective nature of downloading Passive Filter Vs Active Filter Engineering Course has democratized knowledge. Traditional books and academic journals can be expensive, making it difficult for individuals with limited financial resources to access information. By offering free PDF downloads, publishers and authors are enabling a wider audience to benefit from their work. This inclusivity promotes equal opportunities for learning and personal growth. There are numerous websites and platforms where individuals can download Passive Filter Vs Active Filter Engineering Course. These websites range from academic databases offering research papers and journals to online libraries with an expansive collection of books from various genres. Many authors and publishers also upload their work to specific websites, granting readers access to their content without any charge. These platforms not only provide access to existing literature but also serve as an excellent platform for undiscovered authors to share their work with the world. However, it is essential to be cautious while downloading Passive Filter Vs Active Filter Engineering Course. Some websites may offer pirated or illegally obtained copies of copyrighted material. Engaging in such activities not only violates copyright laws but also undermines the efforts of authors, publishers, and researchers. To ensure ethical downloading, it is advisable to utilize reputable websites that prioritize the legal distribution of content. When downloading Passive Filter Vs Active Filter Engineering Course, users should also consider the potential security risks associated with online platforms. Malicious actors may exploit vulnerabilities in unprotected websites to distribute malware or steal personal information. To protect themselves, individuals should ensure their devices have reliable antivirus software installed and validate the legitimacy of the websites they are downloading from. In conclusion, the ability to download Passive Filter Vs Active Filter

Engineering Course has transformed the way we access information. With the convenience, cost-effectiveness, and accessibility it offers, free PDF downloads have become a popular choice for students, researchers, and book lovers worldwide. However, it is crucial to engage in ethical downloading practices and prioritize personal security when utilizing online platforms. By doing so, individuals can make the most of the vast array of free PDF resources available and embark on a journey of continuous learning and intellectual growth.

FAQs About Passive Filter Vs Active Filter Engineering Course Books

What is a Passive Filter Vs Active Filter Engineering Course PDF? A PDF (Portable Document Format) is a file format developed by Adobe that preserves the layout and formatting of a document, regardless of the software, hardware, or operating system used to view or print it. **How do I create a Passive Filter Vs Active Filter Engineering Course PDF?**

There are several ways to create a PDF: Use software like Adobe Acrobat, Microsoft Word, or Google Docs, which often have built-in PDF creation tools. Print to PDF: Many applications and operating systems have a "Print to PDF" option that allows you to save a document as a PDF file instead of printing it on paper. Online converters: There are various online tools that can convert different file types to PDF. **How do I edit a Passive Filter Vs Active Filter Engineering Course PDF?**

Editing a PDF can be done with software like Adobe Acrobat, which allows direct editing of text, images, and other elements within the PDF. Some free tools, like PDFescape or Smallpdf, also offer basic editing capabilities. **How do I convert a**

Passive Filter Vs Active Filter Engineering Course PDF to another file format? There are multiple ways to convert a PDF to another format: Use online converters like Smallpdf, Zamzar, or Adobe Acrobats export feature to convert PDFs to formats like Word, Excel, JPEG, etc. Software like Adobe Acrobat, Microsoft Word, or other PDF editors may have options to export or save PDFs in different formats. **How do I password-protect a Passive Filter Vs Active Filter Engineering**

Course PDF? Most PDF editing software allows you to add password protection. In Adobe Acrobat, for instance, you can go to "File" -> "Properties" -> "Security" to set a password to restrict access or editing capabilities. Are there any free

alternatives to Adobe Acrobat for working with PDFs? Yes, there are many free alternatives for working with PDFs, such as: LibreOffice: Offers PDF editing features. PDFsam: Allows splitting, merging, and editing PDFs. Foxit Reader: Provides basic PDF viewing and editing capabilities. How do I compress a PDF file? You can use online tools like Smallpdf, ILovePDF, or

desktop software like Adobe Acrobat to compress PDF files without significant quality loss. Compression reduces the file size, making it easier to share and download. Can I fill out forms in a PDF file? Yes, most PDF viewers/editors like Adobe Acrobat,

Preview (on Mac), or various online tools allow you to fill out forms in PDF files by selecting text fields and entering information. Are there any restrictions when working with PDFs? Some PDFs might have restrictions set by their creator,

such as password protection, editing restrictions, or print restrictions. Breaking these restrictions might require specific software or tools, which may or may not be legal depending on the circumstances and local laws.

Find Passive Filter Vs Active Filter Engineering Course :

libro di geometria scuola media pdf

libya oil gas sector exploration laws and regulation handbook volume 1 strategic information and regulations

[libro problemas economicos de mexico descargar gratis](#)

[libro contabilidad administrativa david noel ramirez padilla ejercicios resueltos](#)

[learn english grammar through hindi pdf download](#)

[libri di chimica cosmetica](#)

[lecture notes intermediate microeconomics](#)

[lesson plans high school earth science geology the environment and the universe](#)

[lead poisoning and mental ability answers](#)

[lecture tutorials for introductory astronomy third edition answers](#)

[le chateau de ma mere souvenirs denfance 2 marcel pagnol](#)

[learning to rank for information retrieval and natural language processing hang li](#)

les fiches outils du consultant eyrolles

lcd led repair guide aaaaaaore

[leading by design the ikea story](#)

Passive Filter Vs Active Filter Engineering Course :

The Quest for Authentic Power: Getting Past Manipulation ... The Quest for Authentic Power: Getting Past Manipulation, Control, and Self Limiting Beliefs · Buy New. \$17.95\$17.95. FREE delivery: Thursday, Dec 21 on orders ... The Quest for Authentic Power: Getting Past Manipulation ... The Quest for Authentic Power: Getting Past Manipulation, Control, and Self Limiting Beliefs by Lawford, G Ross(June 15, 2002) Paperback · Book overview. The Quest for Authentic Power: Getting Past Manipulation ... The Quest for Authentic Power: Getting Past Manipulation, Control, and Self Limiting Beliefs by Lawford, G. Ross - ISBN 10: 1576751473 - ISBN 13: ... The Quest for Authentic Power: Getting Past Manipulation, ... May 10, 2002 — The Quest for Authentic Power: Getting Past Manipulation, Control, and Self Limiting Beliefs ... power based on authority, control, strength, and ... The Quest for Authentic Power: Getting Past Manipulation ... The author suggests that real power is

gained not by egogenerated thoughts but by integrating the capabilities of the mind with the wise direction of the heart. The Quest for Authentic Power (Paperback) Drawing on psychology, theology, and business, Lawford outlines a new view of power based on authenticity and provides practical pointers for achieving your ... The Quest for Authentic Power (Getting Past Manipulation ... This book title, The Quest for Authentic Power (Getting Past Manipulation, Control, and Self-Limiting Beliefs), ISBN: 9781576751473, by G. Ross Lawford, ... The Quest for Authentic Power: Getting Past Manipulation ... May 12, 2002 — Authentic power-the power to consistently obtain what we truly desire-comes from within. Such power, the power to determine your own destiny ... The Quest for Authentic Power 1st edition 9781576751473 ... ISBN-13: 9781576751473 ; Authors: G Ross Lawford ; Full Title: The Quest for Authentic Power: Getting Past Manipulation, Control, and Self-Limiting Beliefs. The Quest for Authentic Power Getting Past Manipulation ... ISBN. 9781576751473 ; Book Title. Quest for Authentic Power : Getting Past Manipulation, Control, and Self-Limiting Beliefs ; Accurate description. 4.9. The Special One: The Dark Side of Jose Mourinho An explosive and shocking biography of Jose Mourinho - revealing the dark side of 'the special one'. When José Mourinho announced his return to English ... The Special One: The Dark Side of Jose Mourinho Read 40 reviews from the world's largest community for readers. An explosive and shocking biography of Jose Mourinho - revealing the dark side of 'the spec... The Special One: The Dark Side of Jose Mourinho Apr 7, 2014 — Couple of interesting extracts in The Times today from a new book, The Special One: The Dark Side of Jose Mourinho, by Diego Torres, ... The Dark Side of Jose Mourinho by Diego Torres Jan 20, 2015 — An explosive and shocking biography of Jose Mourinho - revealing the dark side of 'the special one'. When José Mourinho announced his return to ... The Special One: The Dark Side of Jose Mourinho An explosive and shocking biography of Jose Mourinho - revealing the dark side of 'the special one'. The Special One: The Dark Side of Jose Mourinho - By: ... The Special One: The Dark Side of Jose Mourinho - Softcover An explosive and shocking biography of Jose Mourinho - revealing the dark side of 'the special one'. When José Mourinho announced his return to English ... The Special One - Diego Torres An explosive and shocking biography of Jose Mourinho - revealing the dark side of 'the special one'.When José Mourinho announced his return to English ... The Special One: The Dark Side of Jose Mourinho Acceptable: Noticeably used copy with heavy cover, spine, or page wear. Notes, underlining, highlighting, or library markings that do not obscure the text. The Special One: The Dark Side of Jose Mourinho - Z-Library A mischievous, scheming, even tyrannical quality to the man beneath the veneer of charm? As part of El Pais, Diego Torres is one of the premier investigative ... The Dark Side of Jose Mourinho [Paperback] Torres, Diego The Special One: The Secret World of Jose Mourinho: The Dark Side of Jose Mourinho [Paperback] Torres, Diego ; Used - Good; ISBN 10 ; 000755303X; ISBN 13 ... Lee, Fetter & McCray, 2003 - HYDROGEOLOGY ... Lee, Fetter & McCray, 2003 - HYDROGEOLOGY LABORATORY MANUAL.pdf - Free ebook ... Considering your answers to the previous questions, what future actions ... Applied Hydrogeology Fetter Answer | PDF APPLIED HYDROGEOLOGY FETTER ANSWER. Applied Hydrogeology Fetter Answer

from our library is free resource for public. Our library. Ebooks collection delivers ... Lee, Fetter & McCray, 2003 - HYDROGEOLOGY ... Explain your answer. 2. All the wells in and around the site are being monitored. Might contaminants eventually show up in well 209A? Well 212A? Well 201? What ... Hydrogeology Laboratory Manual by CJ Booth · 2003 — Hydrogeology Laboratory Manual (2nd Edition), K. Lee, C.W. Fetter, and J.E. McCray. Pearson Education, Inc., Upper Saddle River, NJ 07458. 2003. 150 pages. ISBN ... Geohydrology (Lecture and Laboratory) 2. Credits & Contact ... a. Course Description: Origin, occurrence, and movement of fluids in porous media and assessment of aquifer characteristics. This course will also develop. Applied Hydrogeology - 4th Edition - Solutions and Answers Our resource for Applied Hydrogeology includes answers to chapter exercises, as well as detailed information to walk you through the process step by step. With ... Applied Hydrogeology Fetter Answer PDF/HYD-1513127 HYDROGEOLOGY LABORATORY MANUAL LEE AND FETTER. ANSWERS ... FETTER WALECKA SOLUTIONS MANUAL. Available. PDF/FET-1122872. FETTER AND WALECKA ... hydrogeology ... answers to odd- numbered problems. Lee, K., Fetter, C. W., Jr., and McCray, J. E., Hydrogeology Laboratory Manual, 2nd Edition, Pearson. Education (Prentice ... Hydrogeology Laboratory Manual (2nd Edition) This lab manual features a hands-on approach to learning about the physical and chemical processes that govern groundwater flow and contaminant movement in ...