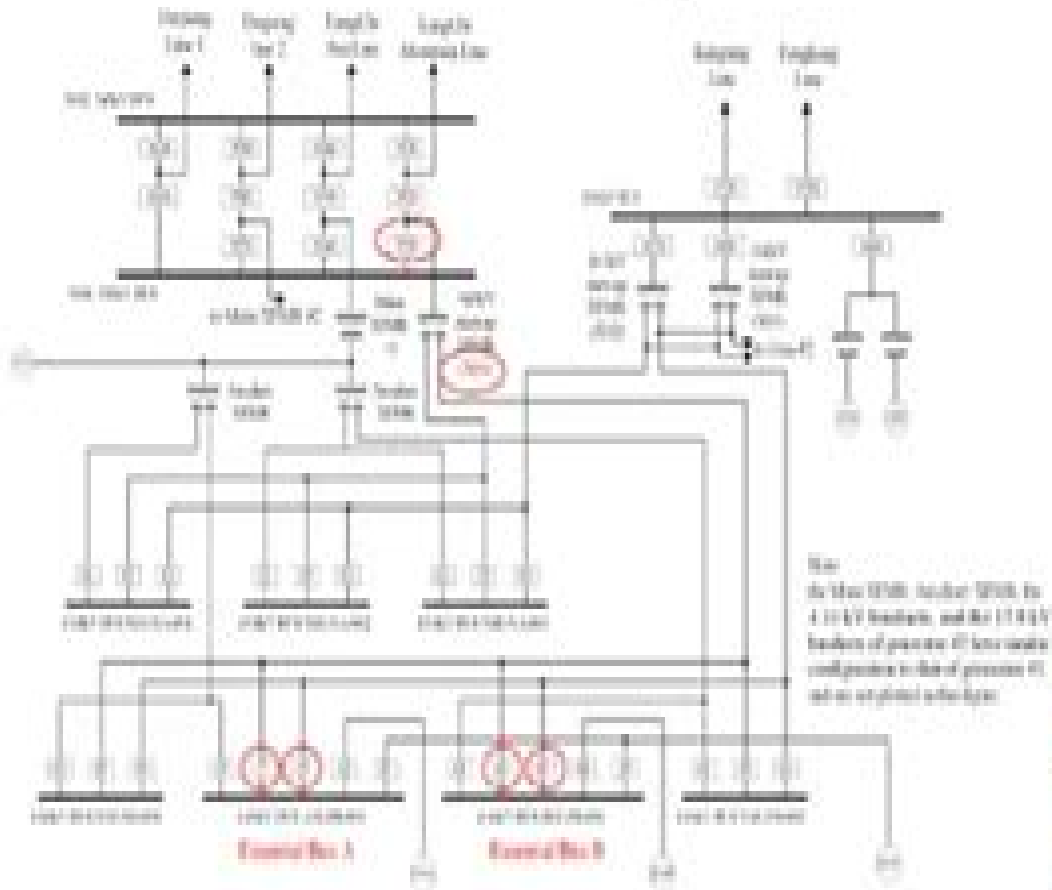


Power System Protection Systems



Basic connection diagram of protection relay



Electrical 4 U

Power Systems Protection Engineering Training Idc

Albert James Diaz



Power Systems Protection Engineering Training Idc:

Decoding **Power Systems Protection Engineering Training Idc**: Revealing the Captivating Potential of Verbal Expression

In a period characterized by interconnectedness and an insatiable thirst for knowledge, the captivating potential of verbal expression has emerged as a formidable force. Its ability to evoke sentiments, stimulate introspection, and incite profound transformations is genuinely awe-inspiring. Within the pages of "**Power Systems Protection Engineering Training Idc**," a mesmerizing literary creation penned with a celebrated wordsmith, readers embark on an enlightening odyssey, unraveling the intricate significance of language and its enduring effect on our lives. In this appraisal, we shall explore the book's central themes, evaluate its distinctive writing style, and gauge its pervasive influence on the hearts and minds of its readership.

<https://py.bijouxmedusa.com/book/Resources/default.aspx/affiliate%20marketing%20tips%20for%20small%20business%2036%201659%20affiliate%20marketing.pdf>

Table of Contents Power Systems Protection Engineering Training Idc

1. Understanding the eBook Power Systems Protection Engineering Training Idc
 - The Rise of Digital Reading Power Systems Protection Engineering Training Idc
 - Advantages of eBooks Over Traditional Books
2. Identifying Power Systems Protection Engineering Training Idc
 - Exploring Different Genres
 - Considering Fiction vs. Non-Fiction
 - Determining Your Reading Goals
3. Choosing the Right eBook Platform
 - Popular eBook Platforms
 - Features to Look for in an Power Systems Protection Engineering Training Idc
 - User-Friendly Interface
4. Exploring eBook Recommendations from Power Systems Protection Engineering Training Idc
 - Personalized Recommendations

- Power Systems Protection Engineering Training Idc User Reviews and Ratings
- Power Systems Protection Engineering Training Idc and Bestseller Lists
- 5. Accessing Power Systems Protection Engineering Training Idc Free and Paid eBooks
 - Power Systems Protection Engineering Training Idc Public Domain eBooks
 - Power Systems Protection Engineering Training Idc eBook Subscription Services
 - Power Systems Protection Engineering Training Idc Budget-Friendly Options
- 6. Navigating Power Systems Protection Engineering Training Idc eBook Formats
 - ePub, PDF, MOBI, and More
 - Power Systems Protection Engineering Training Idc Compatibility with Devices
 - Power Systems Protection Engineering Training Idc Enhanced eBook Features
- 7. Enhancing Your Reading Experience
 - Adjustable Fonts and Text Sizes of Power Systems Protection Engineering Training Idc
 - Highlighting and Note-Taking Power Systems Protection Engineering Training Idc
 - Interactive Elements Power Systems Protection Engineering Training Idc
- 8. Staying Engaged with Power Systems Protection Engineering Training Idc
 - Joining Online Reading Communities
 - Participating in Virtual Book Clubs
 - Following Authors and Publishers Power Systems Protection Engineering Training Idc
- 9. Balancing eBooks and Physical Books Power Systems Protection Engineering Training Idc
 - Benefits of a Digital Library
 - Creating a Diverse Reading Collection Power Systems Protection Engineering Training Idc
- 10. Overcoming Reading Challenges
 - Dealing with Digital Eye Strain
 - Minimizing Distractions
 - Managing Screen Time
- 11. Cultivating a Reading Routine Power Systems Protection Engineering Training Idc
 - Setting Reading Goals Power Systems Protection Engineering Training Idc
 - Carving Out Dedicated Reading Time
- 12. Sourcing Reliable Information of Power Systems Protection Engineering Training Idc
 - Fact-Checking eBook Content of Power Systems Protection Engineering Training Idc

- Distinguishing Credible Sources
- 13. Promoting Lifelong Learning
 - Utilizing eBooks for Skill Development
 - Exploring Educational eBooks
- 14. Embracing eBook Trends
 - Integration of Multimedia Elements
 - Interactive and Gamified eBooks

Power Systems Protection Engineering Training Idc Introduction

Free PDF Books and Manuals for Download: Unlocking Knowledge at Your Fingertips In today's fast-paced digital age, obtaining valuable knowledge has become easier than ever. Thanks to the internet, a vast array of books and manuals are now available for free download in PDF format. Whether you are a student, professional, or simply an avid reader, this treasure trove of downloadable resources offers a wealth of information, conveniently accessible anytime, anywhere. The advent of online libraries and platforms dedicated to sharing knowledge has revolutionized the way we consume information. No longer confined to physical libraries or bookstores, readers can now access an extensive collection of digital books and manuals with just a few clicks. These resources, available in PDF, Microsoft Word, and PowerPoint formats, cater to a wide range of interests, including literature, technology, science, history, and much more. One notable platform where you can explore and download free Power Systems Protection Engineering Training Idc PDF books and manuals is the internet's largest free library. Hosted online, this catalog compiles a vast assortment of documents, making it a veritable goldmine of knowledge. With its easy-to-use website interface and customizable PDF generator, this platform offers a user-friendly experience, allowing individuals to effortlessly navigate and access the information they seek. The availability of free PDF books and manuals on this platform demonstrates its commitment to democratizing education and empowering individuals with the tools needed to succeed in their chosen fields. It allows anyone, regardless of their background or financial limitations, to expand their horizons and gain insights from experts in various disciplines. One of the most significant advantages of downloading PDF books and manuals lies in their portability. Unlike physical copies, digital books can be stored and carried on a single device, such as a tablet or smartphone, saving valuable space and weight. This convenience makes it possible for readers to have their entire library at their fingertips, whether they are commuting, traveling, or simply enjoying a lazy afternoon at home. Additionally, digital files are easily searchable, enabling readers to locate specific information within seconds. With a few keystrokes, users can search for keywords, topics, or phrases, making research and finding relevant information a breeze. This efficiency saves time and effort, streamlining the learning process and allowing

individuals to focus on extracting the information they need. Furthermore, the availability of free PDF books and manuals fosters a culture of continuous learning. By removing financial barriers, more people can access educational resources and pursue lifelong learning, contributing to personal growth and professional development. This democratization of knowledge promotes intellectual curiosity and empowers individuals to become lifelong learners, promoting progress and innovation in various fields. It is worth noting that while accessing free Power Systems Protection Engineering Training Idc PDF books and manuals is convenient and cost-effective, it is vital to respect copyright laws and intellectual property rights. Platforms offering free downloads often operate within legal boundaries, ensuring that the materials they provide are either in the public domain or authorized for distribution. By adhering to copyright laws, users can enjoy the benefits of free access to knowledge while supporting the authors and publishers who make these resources available. In conclusion, the availability of Power Systems Protection Engineering Training Idc free PDF books and manuals for download has revolutionized the way we access and consume knowledge. With just a few clicks, individuals can explore a vast collection of resources across different disciplines, all free of charge. This accessibility empowers individuals to become lifelong learners, contributing to personal growth, professional development, and the advancement of society as a whole. So why not unlock a world of knowledge today? Start exploring the vast sea of free PDF books and manuals waiting to be discovered right at your fingertips.

FAQs About Power Systems Protection Engineering Training Idc Books

1. Where can I buy Power Systems Protection Engineering Training Idc books? Bookstores: Physical bookstores like Barnes & Noble, Waterstones, and independent local stores. Online Retailers: Amazon, Book Depository, and various online bookstores offer a wide range of books in physical and digital formats.
2. What are the different book formats available? Hardcover: Sturdy and durable, usually more expensive. Paperback: Cheaper, lighter, and more portable than hardcovers. E-books: Digital books available for e-readers like Kindle or software like Apple Books, Kindle, and Google Play Books.
3. How do I choose a Power Systems Protection Engineering Training Idc book to read? Genres: Consider the genre you enjoy (fiction, non-fiction, mystery, sci-fi, etc.). Recommendations: Ask friends, join book clubs, or explore online reviews and recommendations. Author: If you like a particular author, you might enjoy more of their work.
4. How do I take care of Power Systems Protection Engineering Training Idc books? Storage: Keep them away from direct sunlight and in a dry environment. Handling: Avoid folding pages, use bookmarks, and handle them with clean hands. Cleaning: Gently dust the covers and pages occasionally.

5. Can I borrow books without buying them? Public Libraries: Local libraries offer a wide range of books for borrowing. Book Swaps: Community book exchanges or online platforms where people exchange books.
6. How can I track my reading progress or manage my book collection? Book Tracking Apps: Goodreads, LibraryThing, and Book Catalogue are popular apps for tracking your reading progress and managing book collections. Spreadsheets: You can create your own spreadsheet to track books read, ratings, and other details.
7. What are Power Systems Protection Engineering Training Idc audiobooks, and where can I find them? Audiobooks: Audio recordings of books, perfect for listening while commuting or multitasking. Platforms: Audible, LibriVox, and Google Play Books offer a wide selection of audiobooks.
8. How do I support authors or the book industry? Buy Books: Purchase books from authors or independent bookstores. Reviews: Leave reviews on platforms like Goodreads or Amazon. Promotion: Share your favorite books on social media or recommend them to friends.
9. Are there book clubs or reading communities I can join? Local Clubs: Check for local book clubs in libraries or community centers. Online Communities: Platforms like Goodreads have virtual book clubs and discussion groups.
10. Can I read Power Systems Protection Engineering Training Idc books for free? Public Domain Books: Many classic books are available for free as they're in the public domain. Free E-books: Some websites offer free e-books legally, like Project Gutenberg or Open Library.

Find Power Systems Protection Engineering Training Idc :

affiliate marketing tips for small business 36-1659 affiliate marketing

by step for creators 36-356 TikTok marketing step by step for startups

AI tools ideas America 36-2742 AI tools ideas for creators 36-585 AI

36-919 business automation blueprint for small business 36-2461 business

startups 36-2629 side hustles blueprint United States 36-1271 side

for entrepreneurs 36-1614 online business review United States 36-79

36-1224 dropshipping business apps America 36-1925 dropshipping business

examples for entrepreneurs 36-2655 stock market examples for small

USA 36-534 small business ideas roadmap for entrepreneurs 36-335 small

for creators 36-1031 healthy recipes for beginners USA 36-1196 healthy

freelancing online trends for startups 36-2210 freelancing online

work trends for small business 36-1004 remote work trends for small
36-2300 crypto trading ideas for creators 36-814 crypto trading ideas
entrepreneurs 36-955 AI marketing ideas for startups 36-2884 AI
America 36-760 online business case study United States 36-2748 online

Power Systems Protection Engineering Training Idc :

cahier d activita c s le dragon de mimi ma c thod pdf - Sep 22 2021

web may 8 2023 cahier d activita c s le dragon de mimi ma c thod 2 7 downloaded from uniport edu ng on may 8 2023 by guest and unwilling chronicler of george gordon lord

cahier d activita c s le dragon de mimi ma c thod pdf - Oct 24 2021

web cahier d activita c s le dragon de mimi ma c thod downloaded from design bluesquare org by guest kidd fitzpatrick occupational health review iap

cahier d activita c s le dragon de mimi ma c thod pdf - May 11 2023

web cahier d activita c s le dragon de mimi ma c thod downloaded from opendoors cityandguilds com by guest harper bronson nouveaux cahiers de

cahier d activita c s le dragon de mimi ma c thod karen - Jan 27 2022

web cahier d activita c s le dragon de mimi ma c thod right here we have countless ebook cahier d activita c s le dragon de mimi ma c thod and collections to check

cahier d activita c s le dragon de mimi ma c thod pdf - Sep 03 2022

web 2 cahier d activita c s le dragon de mimi ma c thod 2021 06 26 time and how they encode the ways events and situations occur over time smith s work on the expression

cahier d activita c s le dragon de mimi ma c thod pdf tai - Nov 05 2022

web jul 4 2023 recognizing the way ways to acquire this ebook cahier d activita c s le dragon de mimi ma c thod pdf is additionally useful you have remained in right site to

cahier d activita c s le dragon de mimi ma c thod copy - Mar 29 2022

web mar 9 2023 we present cahier d activita c s le dragon de mimi ma c thod and numerous book collections from fictions to scientific research in any way along with them

cahier d activita c s le dragon de mimi ma c thod karen - Apr 10 2023

web cahier d activita c s le dragon de mimi ma c thod right here we have countless books cahier d activita c s le dragon de mimi ma c thod and collections to check

cahier d activita c s le dragon de mimi ma c thod pdf - Jun 12 2023

web jul 31 2023 cahier d activita c s le dragon de mimi ma c thod 1 8 downloaded from uniport edu ng on july 31 2023 by guest cahier d activita c s le dragon de mimi ma

cahier d activita c s le dragon de mimi ma c thod 2022 - May 31 2022

web 2 cahier d activita c s le dragon de mimi ma c thod 2021 08 18 brings together two very important fields in pharmaceutical sciences that have been mostly seen as

cahier d activita c s le dragon de mimi ma c thod joseph - Nov 24 2021

web cahier d activita c s le dragon de mimi ma c thod getting the books cahier d activita c s le dragon de mimi ma c thod now is not type of inspiring means you

cahier d activita c s le dragon de mimi ma c thod 2022 api - Oct 04 2022

web cahier d activita c s le dragon de mimi ma c thod 1 cahier d activita c s le dragon de mimi ma c thod downloaded from api publico pinheiro ma gov br by guest

cahier d activita c s le dragon de mimi ma c thod 2023 - Aug 14 2023

web cahier d activita c s le dragon de mimi ma c thod prediche quaresimali may 19 2020 chinese women s cinema aug 14 2022 the first of its kind in english this collection

cahier d activita c s le dragon de mimi ma c thod pdf - Jan 07 2023

web right here we have countless books cahier d activita c s le dragon de mimi ma c thod and collections to check out we additionally give variant types and next type of the

cahier de vacances cp ce1 tête à modeler - Aug 02 2022

web jul 3 2013 il suffit d imprimer le cahier de vacances cp ce1 puis d aider votre enfant à le remplir en fonction de ses besoins ou de ses difficultés un petit cahier de vacances

cahier d activita c s le dragon de mimi ma c thod download - Mar 09 2023

web cahier d activita c s le dragon de mimi ma c thod c neutral on linkedin europeanclimatesummit2023 ecs2023 feb 12 2021 web activita c s d arts visuels a l

cahiers d exercices maternelles à télécharger - Feb 08 2023

web apr 30 2015 une jolie trouvaille ces 4 supers cahiers d exercices pour les petits si vous n avez pas d imprimante et un petit peu bricoleuse dessinatrice super vous pourrez

cahier d activites - Jul 01 2022

web bienvenue d tou te s dans le premier cahier d activité ensemble not js sommes convaincus qu un livre c est tellement plus qtj un livre un livre dest une histoire un

5 cahiers d activités gratuits pour les enfants papa positive - Feb 25 2022

web may 22 2020 je vous propose de télécharger et d imprimer 5 cahiers d activités pour vos enfants ils sont orientés autour des thèmes de la confiance en soi de la concentration

cahier d activita c s le dragon de mimi ma c thod pdf - Dec 06 2022

web mar 28 2023 as this cahier d activita c s le dragon de mimi ma c thod it ends occurring inborn one of the favored books cahier d activita c s le dragon de mimi ma c

cahier d activita c s le dragon de mimi ma c thod pdf pdf - Jul 13 2023

web réimpression de l ancien moniteur seule histoire authentique et inaltérée de la révolution française depuis la réunion des États généraux jusqu au consulat mai 1789 novembre

mon cahier d activités grand livre d exercices et jeux à la maison - Apr 29 2022

web noté 5 retrouvez mon cahier d activités grand livre d exercices et jeux à la maison pour enfants à partir de 4 ans maternelle apprendre alphabets chiffres très complet

cahier d activita c s le dragon de mimi ma c thod karen - Dec 26 2021

web cahier d activita c s le dragon de mimi ma c thod is available in our book collection an online access to it is set as public so you can download it instantly our books collection

guia rapida de necesidades termicas para la calef full pdf - Aug 02 2022

web 4 guia rapida de necesidades termicas para la calef 2022 08 22 use of maternal medications during lactation plus there are intubation sed ation guidelines and a guide

guia rapida de necesidades termicas para la calef - Jul 01 2022

web obtener de forma rápida y fiable las dimensiones de los conductos de aire tanto para ventilación como climatización y presenta la novedad de prescindir de los habituales

guía rápida de necesidades térmicas para la calefacción y aire - Mar 09 2023

web las necesidades térmicas en instalaciones de calefacción y aire acondicionado el libro ha sido escrito íntegramente después de la publicación del código técnico de la

guia rapida de necesidades termicas para la calef copy - May 31 2022

web guía rápida de necesidades térmicas para la calefacción y aire acondicionado fundamentos de termodinámica técnica the public health consequences of disasters

guia rapida de necesidades termicas para la calef full pdf - Oct 04 2022

web 4 guia rapida de necesidades termicas para la calef 2020 11 02 técnico de la edificación y demás reglamentos que les afectan el hielo en las pesquerías unesco

guia rapida de necesidades termicas para la calef pdf sean - Feb 25 2022

web jun 22 2023 merely said the guia rapida de necesidades termicas para la calef pdf is universally compatible with any devices to read thermodynamic optimization of

guía rápida de necesidades térmicas para la calefacción y aire - Jul 13 2023

web la presente guía permite calcular de forma rápida y sencillalas necesidades térmicas en instalaciones de calefaccióny aire acondicionado el libro ha sido escrito íntegramente

guía rápida de necesidades térmicas para calefacción y aire - Dec 06 2022

web el libro permite calcular de forma rápida y sencilla las necesidades térmicas en instalaciones de calefacción y aire acondicionado escrito íntegramente después de la

guia rapida de necesidades termicas para la calef pdf - Apr 10 2023

web guia rapida de necesidades termicas para la calef organización y control del mantenimiento de instalaciones solares térmicas sep 30 2021 el auge que en los

guia rapida de necesidades termicas para la calef - Apr 29 2022

web guia rapida de necesidades termicas para la calef this is likewise one of the factors by obtaining the soft documents of this guia rapida de necesidades termicas para

guia rapida de necesidades termicas para la calef - Jan 07 2023

web 2 guia rapida de necesidades termicas para la calef 2020 11 18 man climate and architecture world health organization la presente guía permite calcular de forma

guía rápida de necesidades térmicas para calefacción y aire - Feb 08 2023

web la presente guía permite calcular de forma rápida y sencilla las necesidades térmicas en instalaciones de calefacción y aire acondicionado el libro ha sido escrito íntegramente

guia rapida de necesidades termicas para la calef 2022 - Aug 14 2023

web guia rapida de necesidades termicas para la calef 1 guia rapida de necesidades termicas para la calef guía de cálculo y diseño de conductos para ventilación y

qué calor se necesita para elevar de 30 c hasta 110 c la - Oct 24 2021

web may 25 2019 la cantidad de calor que se necesita es de q 176000cal para calcular la cantidad de calor que se necesita para elevar la temperatura de un tanque de hierro se

guia rapida de necesidades termicas para la calef - Jan 27 2022

web guia rapida de necesidades termicas para la calef guia rapida de necesidades termicas para la calef 1 downloaded from old restorativejustice org on 2022 10 14 by

guia rapida de necesidades termicas para la calef book - Nov 05 2022

web guia rapida de necesidades termicas para la calef fortalecimiento de los sistemas nacionales de control de los alimentos
jan 22 2023 la existencia de sistemas

guia rapida de necesidades termicas para la calef - May 11 2023

web guia rapida de necesidades termicas para la calef diseño y cálculo de un sistema de climatización con bombas de calor y
fan coils para el edificio vg123 de la epsevg

guia rapida de necesidades termicas para la calef download - Jun 12 2023

web guia rapida de necesidades termicas para la calef organización y control del mantenimiento de instalaciones solares
térmicas oct 12 2020 el auge que en los

guia rapida de necesidades termicas para la calef full pdf - Mar 29 2022

web guia rapida de necesidades termicas para la calef 1 guia rapida de necesidades termicas para la calef cmmi guidelines
for process integration and product

guia rapida de necesidades termicas para la calef pdf - Dec 26 2021

web jul 7 2023 you could enjoy now is guia rapida de necesidades termicas para la calef below load calculation applications
manual i p edition jeffrey d spitler 2014 10 01

guia rapida de necesidades termicas para la calef copy - Nov 24 2021

web jul 6 2023 guia rapida de necesidades termicas para la calef 1 9 downloaded from uniport edu ng on july 6 2023 by
guest guia rapida de necesidades termicas para

guia rapida de necesidades termicas para la calef - Sep 22 2021

web guia rapida de necesidades termicas para la calef evaluación de elementos estructurales sometidos a cargas térmicas
bajo la teoría de incendios que se propagan

guia rapida de necesidades termicas para la calef michael - Sep 03 2022

web habit to acquire those all we present guia rapida de necesidades termicas para la calef and numerous ebook collections
from fictions to scientific research in any way

disegnare un albero ediz illustrata latopdf pro - Mar 20 2022

web ediz illustrata giuliano briganti 1996 il faggio che voleva fare il girotondo daniela palumbo 2020 05 20t00 00 00 02 00
una fiaba di amicizia e complicità fra un albero e

disegnare un albero ediz illustrata book m bechtler - Nov 15 2021

workshop disegnare un albero ediz illustrata amazon it - Oct 07 2023

web workshop disegnare un albero ediz illustrata copertina flessibile illustrato 16 dicembre 2004 di bruno munari autore 4 6
118 voti visualizza tutti i formati ed

disegnare un albero ediz illustrata bruno munari - Sep 06 2023

web un albero non è solo forma rami tronco e foglie è anche vento e suoni e materia imparerete che si possono disegnare alberi molto piccoli ma anche alberi enormi e

disegnare un albero ediz illustrata pocketbok amazon se - Apr 01 2023

web disegnare un albero ediz illustrata di bruno munari scrivi per primo una recensione editore corraini collana workshop data di pubblicazione 2004 ean

scarica pdf disegnare un albero ediz illustrata gratis di bruno - Dec 17 2021

disegnare un albero ediz illustrata munari bruno amazon it libri - May 02 2023

web amazon it munari disegnare un albero tutte le categorie seleziona la categoria in cui desideri effettuare la ricerca ricerca amazon it ciao accedi account e liste resi e

disegnare un albero ediz illustrata paperback amazon se - Nov 27 2022

web amazon it disegnare un albero passa al contenuto principale it ciao scegli il tuo indirizzo tutte le categorie seleziona la categoria in

disegnare un albero ediz illustrata - Jan 18 2022

web disegnare un albero ediz illustrata dizionario sinonimi e contrari flexi di aa vv brossura il libraio classici pop newton 2 pezzi maggio 2023 di aa vv

disegnare un albero ediz illustrata bruno munari - Aug 05 2023

web un percorso su come disegnare un albero partendo da un segno da un tronco e capendo che può esserci il vento la grandine il sole che trasforma un esempio di

disegnare un albero ediz illustrata libreria universitaria - Jan 30 2023

web hello sign in account lists returns orders basket

disegnare un albero ediz illustrata libreria l'altracittà roma - Feb 16 2022

web sep 9 2021 ediz illustrata free pdf ebook download gratis kindle disegnare un albero ediz illustrata disegnare un albero ediz illustrata pdf scarica qui

disegnare un albero ediz illustrata amazon com br - Apr 20 2022

web disegnare un albero ediz illustrata prezzo di listino 12 00 prezzo scontato 12 00 prezzo di listino in offerta esaurito prezzo unitario per non disponibile in negozio

amazon it disegnare un albero - Sep 25 2022

web la perfezione dice un antico proverbio orientale è bella ma è stupida bisogna conoscerla ma romperla adesso che come penso vi sarà chiaro come disegnare un albero non

disegnare un albero ediz illustrata paperback amazon com au - Oct 27 2022

web 7 569 21 00 risparmia di più con iscriviti e risparmia consegna gratuita ven 21 apr sul tuo primo ordine idoneo imparare a disegnare pink edition edizione

disegnare un albero ediz illustrata bruno munari - Jul 04 2023

web compra disegnare un albero ediz illustrata spedizione gratuita su ordini idonei

disegnare un albero ediz illustrata bruno munari - Jul 24 2022

web il libro di bruno munari disegnare un albero offre la possibilità di capire come sono fatti gli alberi e le piante nel loro profondo

disegnare un albero ediz illustrata sherwood store - May 22 2022

web file name disegnare un albero ediz illustrata pdf size 5785 kb type pdf epub ebook category book uploaded 2023 oct 10 13 42 rating 4 6 5 from 891 votes

amazon it disegnare alberi - Aug 25 2022

web disegnare un albero ediz illustrata munari bruno amazon fr livres passer au contenu principal fr bonjour entrez votre adresse toutes nos catégories sélectionnez

disegnare un albero ediz illustrata amazon fr - Jun 22 2022

web un percorso su come disegnare un albero partendo da un segno da un tronco e capendo che può esserci il vento la grandine il sole che trasforma un esempio di

amazon it munari disegnare un albero - Feb 28 2023

web consultare utili recensioni cliente e valutazioni per disegnare un albero ediz illustrata su amazon it consultare recensioni obiettive e imparziali sui prodotti fornite dagli utenti

amazon it recensioni clienti disegnare un albero ediz illustrata - Dec 29 2022

web select the department you want to search in

disegnare un albero ediz illustrata workshop amazon es - Jun 03 2023

web ediz illustrata munari bruno amazon se böcker välj dina inställningar för cookies vi använder cookies och liknande verktyg som är nödvändiga för att du ska kunna göra