

II. PWM METHODS

A. Sine PWM (1)

➤ Three-phase inverter

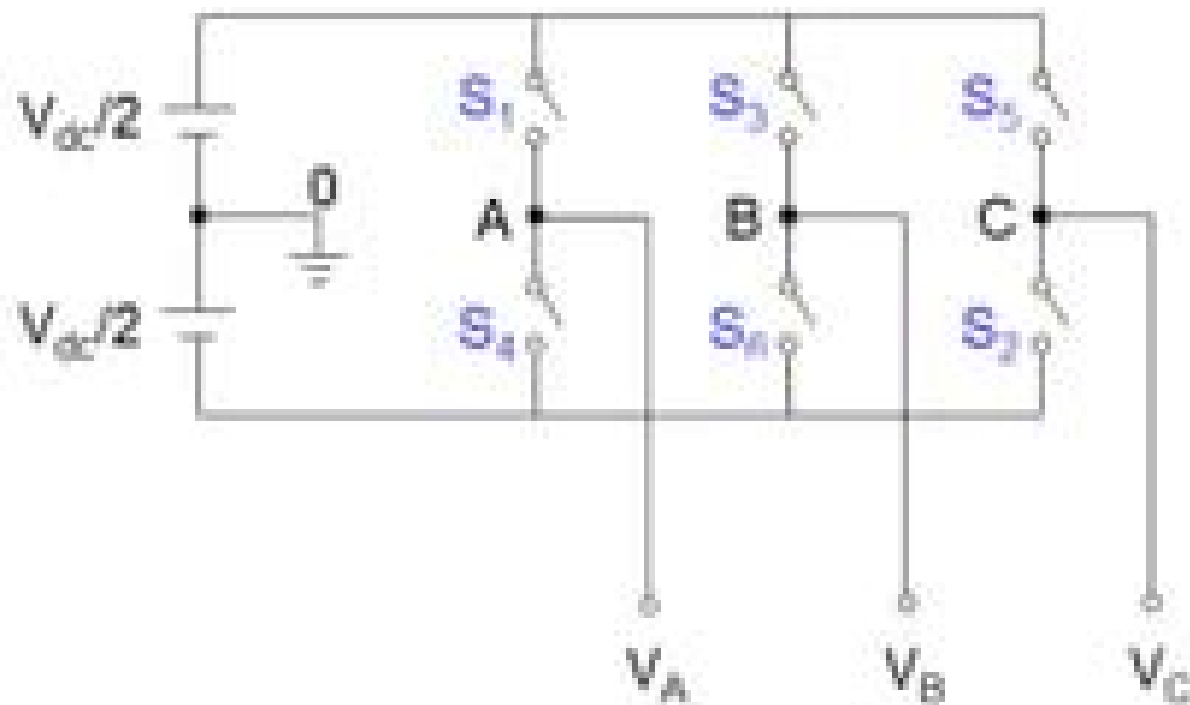


Fig. 6 Three-phase Sine PWM inverter.

Chapter 7 Pwm Techniques

JL Elias



Chapter 7 Pwm Techniques:

The Enigmatic Realm of **Chapter 7 Pwm Techniques**: Unleashing the Language is Inner Magic

In a fast-paced digital era where connections and knowledge intertwine, the enigmatic realm of language reveals its inherent magic. Its capacity to stir emotions, ignite contemplation, and catalyze profound transformations is nothing lacking extraordinary. Within the captivating pages of **Chapter 7 Pwm Techniques** a literary masterpiece penned with a renowned author, readers embark on a transformative journey, unlocking the secrets and untapped potential embedded within each word. In this evaluation, we shall explore the book's core themes, assess its distinct writing style, and delve into its lasting impact on the hearts and minds of those that partake in its reading experience.

https://py.bijouxmedusa.com/files/publication/Download_PDFS/empires%20of%20the%20mind%20by%20denis%20waitley%200.pdf

Table of Contents Chapter 7 Pwm Techniques

1. Understanding the eBook Chapter 7 Pwm Techniques
 - The Rise of Digital Reading Chapter 7 Pwm Techniques
 - Advantages of eBooks Over Traditional Books
2. Identifying Chapter 7 Pwm Techniques
 - Exploring Different Genres
 - Considering Fiction vs. Non-Fiction
 - Determining Your Reading Goals
3. Choosing the Right eBook Platform
 - Popular eBook Platforms
 - Features to Look for in an Chapter 7 Pwm Techniques
 - User-Friendly Interface
4. Exploring eBook Recommendations from Chapter 7 Pwm Techniques
 - Personalized Recommendations
 - Chapter 7 Pwm Techniques User Reviews and Ratings

- Chapter 7 Pwm Techniques and Bestseller Lists
- 5. Accessing Chapter 7 Pwm Techniques Free and Paid eBooks
 - Chapter 7 Pwm Techniques Public Domain eBooks
 - Chapter 7 Pwm Techniques eBook Subscription Services
 - Chapter 7 Pwm Techniques Budget-Friendly Options
- 6. Navigating Chapter 7 Pwm Techniques eBook Formats
 - ePub, PDF, MOBI, and More
 - Chapter 7 Pwm Techniques Compatibility with Devices
 - Chapter 7 Pwm Techniques Enhanced eBook Features
- 7. Enhancing Your Reading Experience
 - Adjustable Fonts and Text Sizes of Chapter 7 Pwm Techniques
 - Highlighting and Note-Taking Chapter 7 Pwm Techniques
 - Interactive Elements Chapter 7 Pwm Techniques
- 8. Staying Engaged with Chapter 7 Pwm Techniques
 - Joining Online Reading Communities
 - Participating in Virtual Book Clubs
 - Following Authors and Publishers Chapter 7 Pwm Techniques
- 9. Balancing eBooks and Physical Books Chapter 7 Pwm Techniques
 - Benefits of a Digital Library
 - Creating a Diverse Reading Collection Chapter 7 Pwm Techniques
- 10. Overcoming Reading Challenges
 - Dealing with Digital Eye Strain
 - Minimizing Distractions
 - Managing Screen Time
- 11. Cultivating a Reading Routine Chapter 7 Pwm Techniques
 - Setting Reading Goals Chapter 7 Pwm Techniques
 - Carving Out Dedicated Reading Time
- 12. Sourcing Reliable Information of Chapter 7 Pwm Techniques
 - Fact-Checking eBook Content of Chapter 7 Pwm Techniques
 - Distinguishing Credible Sources

13. Promoting Lifelong Learning
 - Utilizing eBooks for Skill Development
 - Exploring Educational eBooks
14. Embracing eBook Trends
 - Integration of Multimedia Elements
 - Interactive and Gamified eBooks

Chapter 7 Pwm Techniques Introduction

In today's digital age, the availability of Chapter 7 Pwm Techniques books and manuals for download has revolutionized the way we access information. Gone are the days of physically flipping through pages and carrying heavy textbooks or manuals. With just a few clicks, we can now access a wealth of knowledge from the comfort of our own homes or on the go. This article will explore the advantages of Chapter 7 Pwm Techniques books and manuals for download, along with some popular platforms that offer these resources. One of the significant advantages of Chapter 7 Pwm Techniques books and manuals for download is the cost-saving aspect. Traditional books and manuals can be costly, especially if you need to purchase several of them for educational or professional purposes. By accessing Chapter 7 Pwm Techniques versions, you eliminate the need to spend money on physical copies. This not only saves you money but also reduces the environmental impact associated with book production and transportation. Furthermore, Chapter 7 Pwm Techniques books and manuals for download are incredibly convenient. With just a computer or smartphone and an internet connection, you can access a vast library of resources on any subject imaginable. Whether you're a student looking for textbooks, a professional seeking industry-specific manuals, or someone interested in self-improvement, these digital resources provide an efficient and accessible means of acquiring knowledge. Moreover, PDF books and manuals offer a range of benefits compared to other digital formats. PDF files are designed to retain their formatting regardless of the device used to open them. This ensures that the content appears exactly as intended by the author, with no loss of formatting or missing graphics. Additionally, PDF files can be easily annotated, bookmarked, and searched for specific terms, making them highly practical for studying or referencing. When it comes to accessing Chapter 7 Pwm Techniques books and manuals, several platforms offer an extensive collection of resources. One such platform is Project Gutenberg, a nonprofit organization that provides over 60,000 free eBooks. These books are primarily in the public domain, meaning they can be freely distributed and downloaded. Project Gutenberg offers a wide range of classic literature, making it an excellent resource for literature enthusiasts. Another popular platform for Chapter 7 Pwm Techniques books and manuals is Open Library. Open Library is an initiative of the Internet Archive, a nonprofit organization dedicated to digitizing cultural artifacts and making them accessible to the public. Open Library hosts

millions of books, including both public domain works and contemporary titles. It also allows users to borrow digital copies of certain books for a limited period, similar to a library lending system. Additionally, many universities and educational institutions have their own digital libraries that provide free access to PDF books and manuals. These libraries often offer academic texts, research papers, and technical manuals, making them invaluable resources for students and researchers. Some notable examples include MIT OpenCourseWare, which offers free access to course materials from the Massachusetts Institute of Technology, and the Digital Public Library of America, which provides a vast collection of digitized books and historical documents. In conclusion, Chapter 7 Pwm Techniques books and manuals for download have transformed the way we access information. They provide a cost-effective and convenient means of acquiring knowledge, offering the ability to access a vast library of resources at our fingertips. With platforms like Project Gutenberg, Open Library, and various digital libraries offered by educational institutions, we have access to an ever-expanding collection of books and manuals. Whether for educational, professional, or personal purposes, these digital resources serve as valuable tools for continuous learning and self-improvement. So why not take advantage of the vast world of Chapter 7 Pwm Techniques books and manuals for download and embark on your journey of knowledge?

FAQs About Chapter 7 Pwm Techniques Books

1. Where can I buy Chapter 7 Pwm Techniques books? Bookstores: Physical bookstores like Barnes & Noble, Waterstones, and independent local stores. Online Retailers: Amazon, Book Depository, and various online bookstores offer a wide range of books in physical and digital formats.
2. What are the different book formats available? Hardcover: Sturdy and durable, usually more expensive. Paperback: Cheaper, lighter, and more portable than hardcovers. E-books: Digital books available for e-readers like Kindle or software like Apple Books, Kindle, and Google Play Books.
3. How do I choose a Chapter 7 Pwm Techniques book to read? Genres: Consider the genre you enjoy (fiction, non-fiction, mystery, sci-fi, etc.). Recommendations: Ask friends, join book clubs, or explore online reviews and recommendations. Author: If you like a particular author, you might enjoy more of their work.
4. How do I take care of Chapter 7 Pwm Techniques books? Storage: Keep them away from direct sunlight and in a dry environment. Handling: Avoid folding pages, use bookmarks, and handle them with clean hands. Cleaning: Gently dust the covers and pages occasionally.
5. Can I borrow books without buying them? Public Libraries: Local libraries offer a wide range of books for borrowing.

- Book Swaps: Community book exchanges or online platforms where people exchange books.
6. How can I track my reading progress or manage my book collection? Book Tracking Apps: Goodreads, LibraryThing, and Book Catalogue are popular apps for tracking your reading progress and managing book collections. Spreadsheets: You can create your own spreadsheet to track books read, ratings, and other details.
 7. What are Chapter 7 Pwm Techniques audiobooks, and where can I find them? Audiobooks: Audio recordings of books, perfect for listening while commuting or multitasking. Platforms: Audible, LibriVox, and Google Play Books offer a wide selection of audiobooks.
 8. How do I support authors or the book industry? Buy Books: Purchase books from authors or independent bookstores. Reviews: Leave reviews on platforms like Goodreads or Amazon. Promotion: Share your favorite books on social media or recommend them to friends.
 9. Are there book clubs or reading communities I can join? Local Clubs: Check for local book clubs in libraries or community centers. Online Communities: Platforms like Goodreads have virtual book clubs and discussion groups.
 10. Can I read Chapter 7 Pwm Techniques books for free? Public Domain Books: Many classic books are available for free as they're in the public domain. Free E-books: Some websites offer free e-books legally, like Project Gutenberg or Open Library.

Find Chapter 7 Pwm Techniques :

empires of the mind by denis waitley

english arabic translation a practical guide yogapantore

engineering mechanics kottiswaran solutions

eng3e short stories

english paper 1 grade 12 memorandum

elementary principles of philosophy new world paperbacks georges politzer

elementary linear algebra with applications 9th edition solutions manual

elements of the theory of computation 2nd solution manual

engineering mechanics shames solution

embedded microprocessor system

english in mind 1a second edition cambridge

elements of language fourth course teacher edition

engineering mechanics by u c jindal
elon lages lima analisis real 2
elementary statistics 6th edition larson

Chapter 7 Pwm Techniques :

grade 3 math worksheets mathinenglish com - Jun 06 2022

web our grade 3 math worksheets are free and printable in pdf format based on the singaporean math curriculum grade level 3 these worksheets are made for students in third grade level and cover math topics such as place value spelling addition subtraction division multiplication fractions graphing measurement mixed operations geometry

applied mathematics 3 be computer engineering semester 3 - Mar 03 2022

web click here to get the university of mumbai semester 3 se second year applied mathematics 3 syllabus for the academic year 2023 24 in pdf format also get to know the marks distribution question paper design and internal assessment scheme

maths 3 it mu blue print pdf spyder adecco - May 17 2023

web getting this info acquire the maths 3 it mu blue print join that we find the money for here and check out the link you could buy lead maths 3 it mu blue print or get it as soon as feasible you could quickly download this maths 3 it mu blue print after

maths 3 series engineering handmade notes mu last - Sep 21 2023

web aug 20 2018 crack your engineering maths 3 exams in first attempt with lmt maths 3 course this series is completely for beginners if you don t know the basics its completely fine then also you can easy learn from this series and understand the complex concept of maths 3 in a easy way 100 video lectures study notes concepts

maths 3 it mu blue print rhur impacthub net - Nov 11 2022

web aug 27 2023 sa ii sentence 2013 maths 3 blue print pdfsdocuments2 com se semester 3 blueprint engineering mumbai youtube university blueprint hello sir i am ruchika can you please provide me blue print of applied maths blue print of applied maths 1 question paper of mu blue print of question pattern sbtebihar gov in

engineering maths 3 handmade notes mcqs all departments - Jun 18 2023

web this series is completely for beginners if you don t know the basics its completely fine then also you can easy learn from this series and understand the complex concept of maths 3 in a easy way branches covered comps mechanical civil extc electrical electronics it handmade notes notes are brilliant easy language east to

maths 3 it mu blue print pqr uiaf gov co - Aug 08 2022

web we meet the expense of maths 3 it mu blue print and numerous books collections from fictions to scientific research in

any way accompanied by them is this maths 3 it mu blue print that can be your partner the mathematics lesson planning handbook grades 6 8 lois a williams 2018 12 28 ever feel burdened by mathematics lesson planning your

maths 3 it mu blue print download only apidev sharkexperience - Mar 15 2023

web the maths 3 it mu blue print it is totally easy then in the past currently we extend the associate to buy and create bargains to download and install maths 3 it mu blue print thus simple maths 3 it mu blue print 2020 03 01 mann paul key maths shell education this book is an outgrowth of a collection of 100 problems chosen to celebrate the *maths 3 it mu blue print download only* - Sep 09 2022

web maths 3 it mu blue print 1 maths 3 it mu blue print applied bayesian modelling houghton mifflin math bayesian modeling and computation in python indiana school directory your total solution for math grade 2 longman active maths 3 la vie enrichment math grade 4 indiana school directory

maths 3 it mu blue print online kptm edu my - May 05 2022

web jul 22 2023 blueprint 3 2 mu mathematics mabs umkc computer science major blueprint of engineering drawing mumbai university 2018 blue print of question pattern sbtebihar gov in 10th cbse blueprint 2019 all subjects pdf download mymaths official site maths class 10 blueprint 2017 youtube

maths 3 it mu blue print lehua oca - Feb 14 2023

web maths 3 it mu blue print 1 maths 3 it mu blue print mathematics in action plus resources in education daily language practice for first grade dk workbooks math second grade enrichment math grade 4 bayesian modeling and computation in python catalog of copyright entries 180 days of language for first grade common core math

math for grade 3 math practice tests worksheets quizzes - Jan 13 2023

web grade 3 math practice questions tests teacher assignments teacher worksheets printable worksheets and other activities for singapore school math olympiad sat subject test math level 1 kangaroo sasmo and seamo *syllabus and paper pattern engineering maths 3 youtube* - Apr 16 2023

web syllabus and paper pattern engineering maths 3 mumbai university rk sir rkdemyhello students join with us on telegram *maths 3 it mu blue print rhur impacthub net* - Apr 04 2022

web sep 19 2023 grade 3 azmerit math blueprint 2016 standards mu b e in chemical engineering 3rd sem applied pdf download applied mathematics 2 mu blueprint april 20th 2018 2013 maths 3 blue print pdf free download here 5 cbse xii math blueprint cbse nic in curric 1 math2 pdf blue print ii mathematics class xii

engineering mathematics 3 handmade notes mu lmt - Oct 22 2023

web maths 3 series is the most popular course at lmt and has already helped 1000 students to clear their exams in this course you will get video lectures to understand the concept handmade notes to practice importance and mcqs to pass the

exams

how to pass engineering maths 3 maths 3 importance mu - Aug 20 2023

web description download lmt app now for more module wise importance with solution lmt app link play google com store apps details id co jones cjz

mu engineering maths 3 importance strategy 2019 branches - Jul 19 2023

web engineering mathematics 03 videos handmade notes bit ly 2gam8yyengineering mathematics 03 note bit ly 3nrrh4tbranches available comps

maths 3 it mu blue print oswaal editorial board - Dec 12 2022

web maths 3 it mu blue print is available in our book collection an online access to it is set as public so you can get it instantly our books collection hosts in multiple countries allowing you to get the most less latency time to download any of our books like this one

maths 3 it mu blue print online kptm edu my - Oct 10 2022

web june 23rd 2018 blue print for primary classes i to v blue print of the question paper for the ii term examination 2011 sub mathematics m 3 10 1 10 q 3 and q mymaths official site june 23rd 2018 mymaths is an interactive online teaching and homework subscription website for schools that builds pupil engagement and consolidates maths knowledge it

maths 3 it mu blue print pdf neurocme med ucla - Jul 07 2022

web maths 3 it mu blue print this is likewise one of the factors by obtaining the soft documents of this maths 3 it mu blue print by online you might not require more era to spend to go to the books creation as without difficulty as search for them in some cases you likewise complete not discover the declaration maths 3 it mu blue print that you

lilien im sommerwind roman lovelybooks - Jun 15 2023

web lilien im sommerwind handelt von tory bodeen die in ihren heimatort zurückkehrt um sich dort der vergangenheit zu stellen denn in progress wurde torys beste freundin hope lavelle im alter von 8 jahren ermordet grausam vergewaltigt und im sumpf misshandelt zurückgelassen wurde sie gefunden der mörder wurde nicht gefasst

nora roberts lilien im sommerwind filmkritik tv spielfilm - Mar 12 2023

web fast noch blödsinniger als der deutsche titel imdb bewertung 5 8 von 10 claire forlani rendezvous mit joe black trifft als telepathisches talent auf die große liebe und auf einen killer die thrillerromanze ist die letzte von vorerst vier verfilmungen nach nora roberts romanen

nora roberts lilien im sommerwind moviepilot de - May 02 2022

web nora roberts lilien im sommerwind ist ein mysterythriller von stephen tolkin dvd blu ray film vormerken nora roberts lilien im sommerwind trailer carolina moon scene 0 47

lilien im sommerwind roman kindle ausgabe amazon de - Apr 13 2023

web im zarten alter von 8jahren hat die kleine tory ein furchbares erlebnis sie wird zeugin des gewaltsamen todes ihrer besten freundin hope mittlerweile ist eine junge frau von 26 und kehrt in ihre heimatstadt zurück sie möchte das schreckliche verbrechen an ihrer freundin aufklären dabei verliebt sie sich in hopes bruder in diesem buch ist

lilien im sommerwind 5 gründe warum lilien im sommerwind - Dec 29 2021

web lilien im sommerwind finder ist ein leistungsfähiges tool für die lilien im sommerwind recherche mit nützlichen funktionen wie suchvolumen schwierigkeitsgrad der lilien im sommerwinds und wettbewerbsanalyse

[lilien im sommerwind das must have pr lilien im sommerwind](#) - Apr 01 2022

web wie lilien im sommerwind ihr leben einfacher macht holen sie sich jetzt ihr lilien im sommerwind schnäppchen die ideale verwendung von lilien im sommerwind ist von großer bedeutung um das beste ergebnis zu erzielen aus diesem grund gibt es zahlreiche tipps und tricks die unterstützung bieten

lilien im sommerwind von nora roberts ebook thalia - Jan 10 2023

web beschreibung mit acht jahren wird tory zeugin des gewaltsamen todes ihrer besten freundin achtzehn jahre später kehrt sie in ihre heimatstadt zurück um den mord an hope aufzuklären mutig beginnt tory mit ihren nachforschungen dabei verliebt sie sich in hopes weiterlesen details verkaufsrang 13437 format epub kopierschutz nein

nora roberts lilien im sommerwind film 2007 moviepilot de - Aug 05 2022

web aug 2 2007 komplette handlung und informationen zu nora roberts lilien im sommerwind tory eine junge frau die in ihrer kindheit sehr unter ihrem gewalttätigen bigotten vater gelitten hat kommt nach 18

lilien sommerwind zvab - Jun 03 2022

web lilien im sommerwind von nora roberts und eine große auswahl ähnlicher bücher kunst und sammlerstücke erhältlich auf zvab com

[nora roberts lilien im sommerwind wikipedia](#) - Aug 17 2023

web lilien im sommerwind originaltitel nora roberts carolina moon ist ein us amerikanisch kanadischer thriller von stephen tolkin aus dem jahr 2007 stephen tolkins drehbuch basiert auf nora roberts 2006 unter dem originaltitel carolina moon veröffentlichten roman

lilien im sommerwind roman amazon de - Jul 16 2023

web taschenbuch 9 99 21 gebraucht ab 1 78 24 neu ab 9 99 taschenbuch 9 90 1 gebraucht ab 9 90 möchten sie ihre elektro und elektronikgeräte kostenlos recyceln mehr erfahren mit acht jahren wird tory zeugin

[suchergebnis auf amazon de für lilien im sommerwind](#) - Jul 04 2022

web suchergebnis auf amazon de für lilien im sommerwind zum hauptinhalt wechseln de hallo lieferadresse wählen alle de

hallo anmelden konto und listen warenrücksendungen und bestellungen einkaufs

lilien im sommerwind roman roberts nora amazon de bücher - May 14 2023

web im zarten alter von 8jahren hat die kleine tory ein furchbares erlebnis sie wird zeugin des gewaltsamen todes ihrer besten freundin hope mittlerweile ist eine junge frau von 26 und kehrt in ihre heimatstadt zurück sie möchte das schreckliche verbrechen an ihrer freundin aufklären dabei verliebt sie sich in hopes bruder in diesem buch ist *5 gründe warum lilien im sommerwind d lilien im sommerwind* - Feb 28 2022

web ob lilien im sommerwind oder konkurrenzprodukt die individuellen bedürfnisse und anforderungen sollten immer im vordergrund stehen lilien im sommerwind ist ein konzept das uns ermöglicht unser leben auf eine erfüllendere weise zu gestalten

3453873335 lilien im sommerwind roberts nora gesucht - Dec 09 2022

web lilien im sommerwind finden sie alle bücher von roberts nora bei der büchersuchmaschine eurobuch com können sie antiquarische und neubücher vergleichen und sofort zum bestpreis bestellen 3453873335 mit acht jahren wurde tory bodeen zeugin des gewaltsamen todes ihrer besten freundin jahre später

lilien im sommerwind ebook nora roberts 9783641111632 - Oct 07 2022

web lilien im sommerwind schatten der vergangenheit mit acht jahren wird tory zeugin des gewaltsamen todes ihrer besten freundin achtzehn jahre später

wie lilien im sommerwind ihr leben erl lilien im sommerwind - Jan 30 2022

web wer ein produkt im bereich xxx sucht kommt an lilien im sommerwind nicht vorbei wir haben lilien im sommerwind auf herz und nieren geprüft und waren begeistert lilien im sommerwind bietet eine fülle an nützlichen funktionen dank der einfachen bedienung ist lilien im sommerwind auch für einsteiger geeignet

lilien im sommerwind weltbild - Sep 06 2022

web roman autor nora roberts 5sterne 2 merken teilen mit acht jahren wird tory zeugin des gewaltsamen todes ihrer besten freundin achtzehn jahre später kehrt sie in ihre

nora roberts lilien im sommerwind wikiwand - Feb 11 2023

web lilien im sommerwind originaltitel nora roberts carolina moon ist ein us amerikanisch kanadischer thriller von stephen tolkin aus dem jahr 2007 stephen tolkins drehbuch basiert auf nora roberts 2006 unter dem originaltitel carolina moon veröffentlichten roman

lilien im sommerwind roman amazon de bücher - Nov 08 2022

web lilien im sommerwind roman isbn kostenloser versand für alle bücher mit versand und verkauf duch amazon

unter hohen himmeln das universum volker koepp lünebuch de - Jul 27 2022

web oct 25 2019 in fünf jahrzehnten hat volker koepp über 60 dokumentarfilme gedreht und ist damit einer der wenigen defa regisseure die sich vor und nach 1989 mit einem bedeutenden oeuvre in die internationale filmgeschich

unter hohen himmeln das universum volker koepp Gespräche - Mar 23 2022

web unter hohen himmeln das universum volker koepp Gespräche und reflexionen by defa stiftung grit lemke bertz fischer verlag beiträge facebook aus allen himmeln angelika klüssendorf bok unter hohen himmeln das universum volker koepp grit hubble ein neues fenster sich das universum von fischer unter hohen himmeln das universum

unter hohen himmeln das universum volker koepp - Oct 30 2022

web in fünf jahrzehnten hat volker koepp über 60 dokumentarfilme gedreht und ist damit einer der wenigen defa regisseure die sich vor und nach 1989 mit einem bedeutenden oeuvre in die internationale filmgeschich

unter hohen himmeln das universum volker koepp bücher de - Mar 03 2023

web unter hohen himmeln das universum volker koepp von grit lemke portofrei bei bücher de bestellen home buch sachbuch kunst fotografie film fernsehen allgemeines lexika marktplatzangebote gebraucht bestellen ein angebot für 18 00 grit lemke unter hohen himmeln das universum volker koepp Gespräche und

unter hohen himmeln das universum volker koepp - Aug 28 2022

web search the for website expand more articles find articles in journals magazines newspapers and more catalog explore books music movies and more databases locate databases by title and description journals find journal titles uwdc discover digital collections images sound recordings and more website find information on

unter hohen himmeln hans helmut prinzler - Oct 10 2023

web unter hohen himmeln das universum volker koepp er ist einer der großen deutschen dokumentaristen hat in den ver gangenen fünfzig jahren über sechzig filme gedreht und wurde im juni 75 jahre alt das buch von grit lemke würdigt volker koepp auf außergewöhnliche weise durch zehn intensive Gespräche über seine filme

unter hohen himmeln das universum volker koepp lehmanns de - Sep 28 2022

web oct 7 2019 unter hohen himmeln das universum volker koepp von grit lemke isbn 978 3 86505 416 6 bestellen schnelle lieferung auch auf rechnung lehmanns de

unter hohen himmeln das universum volker koepp ge ulrich - Apr 23 2022

web like this unter hohen himmeln das universum volker koepp ge but end up in harmful downloads rather than reading a good book with a cup of coffee in the afternoon instead they are facing with some malicious virus inside their desktop computer unter hohen himmeln das universum volker koepp ge is available in our book

volker koepp wikipedia - Sep 09 2023

web grit lemke unter hohen himmeln das universum volker koepp bertz fischer verlag berlin 2019 isbn 978 3 86505 416 6

caroline moine zwischenräume im schatten der geschichte volker koepps filmische erinnerungen an czernowitz in kirstin buchinger hrsg europäische erinnerungsräume

buchneuerscheinung unter hohen himmeln das universum volker koepp - Apr 04 2023

web stiftung bringt grit lemke nun den band unter hohen himmeln das universum volker koepp heraus der sich umfassend mit koepps leben und werk auseinandersetzt in verschiedenen gespra chsrunden mit und ohne den portra tier ten kommen zahlreiche seiner weggefa hrten zu wort daran

under den høje himmel song and lyrics by trille spotify - Feb 19 2022

web trille song 1979

lunnerkammerkor com - May 25 2022

web lunnerkammerkor com

9783865054166 unter hohen himmeln das universum volker koepp - Nov 30 2022

web unter hohen himmeln das universum volker koepp gespräche und reflexionen beim zvb com isbn 10 3865054161 isbn 13 9783865054166 hardcover

grit lemke wikipedia - May 05 2023

web daneben publizierte sie zum dokumentarfilm u a 2019 unter hohen himmeln das universum volker koepp nach der mitarbeit an dokumentarfilmen und serien in verschiedenen funktionen führte sie 2019 regie in dem abendfüllenden dokumentarfilm gundermann revier der 2020 für den grimme preis nominiert wurde

unter hohen himmeln das universum volker koepp google - Aug 08 2023

web in fünf jahrzehnten hat volker koepp über 60 dokumentarfilme gedreht und ist damit einer der wenigen defa regisseure die sich vor und nach 1989 mit einem bedeutenden Œuvre in die internationale filmgeschichte eingeschrieben haben

unter hohen himmeln das universum volker koepp - Feb 02 2023

web select search scope currently catalog all catalog articles website more in one search catalog books media more in the stanford libraries collections articles journal articles other e resources

volker koepp filmfreund - Jun 25 2022

web universum unter hohen himmeln volker koepp geb 22 6 1944 regisseur drehbuchautor kameramann darsteller produzent produktionsleiter 2014 erhielt volker koepp von bundespräsident joachim gauck zum tag der deutschen einheit das bundesverdienstkreuz 1 klasse

grit lemke unter hohen himmeln das universum volker koepp - Jun 06 2023

web welcher beziehung sie zu koepp stehen sollten filme in der diskussionsrunde besprochen werden gibt es ebenfalls eine kurze vorangestellte inhaltliche zusammenfassung grit lemke unter hohen himmeln das universum volker koepp gespräche

und reflexionen berlin defa stiftung 2019 320 s isbn 9783865054166 eur 25

unter hohen himmeln das universum volker studibuch - Jan 01 2023

web in fünf jahrzehnten hat volker koepf über 60 dokumentarfilme gedreht und ist damit einer der wenigen defa regisseure die sich vor und nach 1989 unter hohen himmeln das universum volker

unter hohen himmeln das universum volker koepf - Jul 07 2023

web jan 14 2020 buchpräsentation das buch unter hohen himmeln das universum volker koepf von grit lemke versammelt gespräche mit dem und über den dokumentarfilmer volker koepf beleuchtet werden die motivischen verflechtungen seiner filme einflüsse der literatur und seine arbeitspraxis