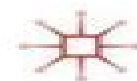
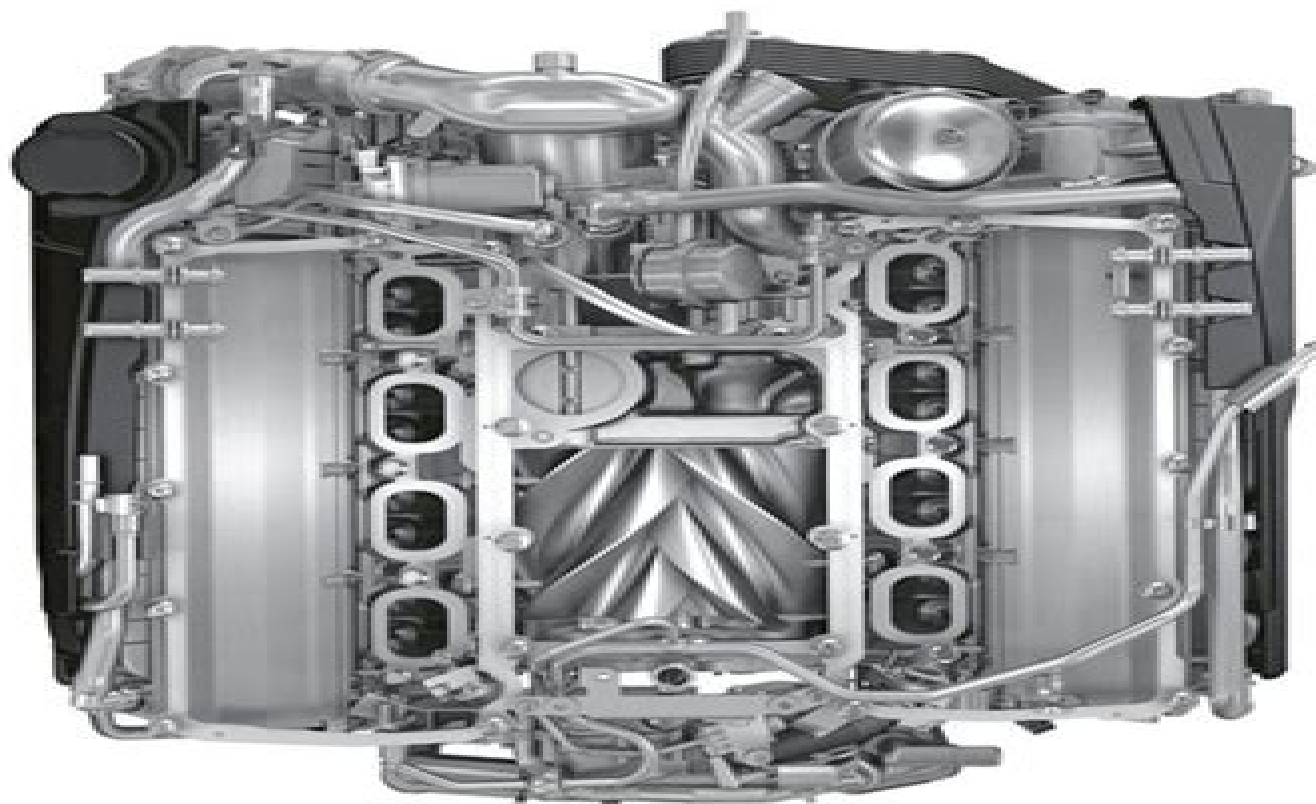


INTRODUCTION TO INTERNAL COMBUSTION ENGINES

RICHARD STONE

4th Edition



Introduction To Internal Combustion Engine Richard Stone

D Kirk



Introduction To Internal Combustion Engine Richard Stone:

Decoding **Introduction To Internal Combustion Engine Richard Stone**: Revealing the Captivating Potential of Verbal Expression

In a time characterized by interconnectedness and an insatiable thirst for knowledge, the captivating potential of verbal expression has emerged as a formidable force. Its ability to evoke sentiments, stimulate introspection, and incite profound transformations is genuinely awe-inspiring. Within the pages of "**Introduction To Internal Combustion Engine Richard Stone**," a mesmerizing literary creation penned by a celebrated wordsmith, readers attempt an enlightening odyssey, unraveling the intricate significance of language and its enduring affect our lives. In this appraisal, we shall explore the book is central themes, evaluate its distinctive writing style, and gauge its pervasive influence on the hearts and minds of its readership.

<https://py.bijouxmedusa.com/results/virtual-library/Documents/6%20Basic%20Pneumatic%20System%20Components%20Gears%20Eds.pdf>

Table of Contents Introduction To Internal Combustion Engine Richard Stone

1. Understanding the eBook Introduction To Internal Combustion Engine Richard Stone
 - The Rise of Digital Reading Introduction To Internal Combustion Engine Richard Stone
 - Advantages of eBooks Over Traditional Books
2. Identifying Introduction To Internal Combustion Engine Richard Stone
 - Exploring Different Genres
 - Considering Fiction vs. Non-Fiction
 - Determining Your Reading Goals
3. Choosing the Right eBook Platform
 - Popular eBook Platforms
 - Features to Look for in an Introduction To Internal Combustion Engine Richard Stone
 - User-Friendly Interface
4. Exploring eBook Recommendations from Introduction To Internal Combustion Engine Richard Stone

- Personalized Recommendations
 - Introduction To Internal Combustion Engine Richard Stone User Reviews and Ratings
 - Introduction To Internal Combustion Engine Richard Stone and Bestseller Lists
5. Accessing Introduction To Internal Combustion Engine Richard Stone Free and Paid eBooks
 - Introduction To Internal Combustion Engine Richard Stone Public Domain eBooks
 - Introduction To Internal Combustion Engine Richard Stone eBook Subscription Services
 - Introduction To Internal Combustion Engine Richard Stone Budget-Friendly Options
 6. Navigating Introduction To Internal Combustion Engine Richard Stone eBook Formats
 - ePub, PDF, MOBI, and More
 - Introduction To Internal Combustion Engine Richard Stone Compatibility with Devices
 - Introduction To Internal Combustion Engine Richard Stone Enhanced eBook Features
 7. Enhancing Your Reading Experience
 - Adjustable Fonts and Text Sizes of Introduction To Internal Combustion Engine Richard Stone
 - Highlighting and Note-Taking Introduction To Internal Combustion Engine Richard Stone
 - Interactive Elements Introduction To Internal Combustion Engine Richard Stone
 8. Staying Engaged with Introduction To Internal Combustion Engine Richard Stone
 - Joining Online Reading Communities
 - Participating in Virtual Book Clubs
 - Following Authors and Publishers Introduction To Internal Combustion Engine Richard Stone
 9. Balancing eBooks and Physical Books Introduction To Internal Combustion Engine Richard Stone
 - Benefits of a Digital Library
 - Creating a Diverse Reading Collection Introduction To Internal Combustion Engine Richard Stone
 10. Overcoming Reading Challenges
 - Dealing with Digital Eye Strain
 - Minimizing Distractions
 - Managing Screen Time
 11. Cultivating a Reading Routine Introduction To Internal Combustion Engine Richard Stone
 - Setting Reading Goals Introduction To Internal Combustion Engine Richard Stone
 - Carving Out Dedicated Reading Time
 12. Sourcing Reliable Information of Introduction To Internal Combustion Engine Richard Stone

- Fact-Checking eBook Content of Introduction To Internal Combustion Engine Richard Stone
 - Distinguishing Credible Sources
13. Promoting Lifelong Learning
- Utilizing eBooks for Skill Development
 - Exploring Educational eBooks
14. Embracing eBook Trends
- Integration of Multimedia Elements
 - Interactive and Gamified eBooks

Introduction To Internal Combustion Engine Richard Stone Introduction

In today's digital age, the availability of Introduction To Internal Combustion Engine Richard Stone books and manuals for download has revolutionized the way we access information. Gone are the days of physically flipping through pages and carrying heavy textbooks or manuals. With just a few clicks, we can now access a wealth of knowledge from the comfort of our own homes or on the go. This article will explore the advantages of Introduction To Internal Combustion Engine Richard Stone books and manuals for download, along with some popular platforms that offer these resources. One of the significant advantages of Introduction To Internal Combustion Engine Richard Stone books and manuals for download is the cost-saving aspect. Traditional books and manuals can be costly, especially if you need to purchase several of them for educational or professional purposes. By accessing Introduction To Internal Combustion Engine Richard Stone versions, you eliminate the need to spend money on physical copies. This not only saves you money but also reduces the environmental impact associated with book production and transportation. Furthermore, Introduction To Internal Combustion Engine Richard Stone books and manuals for download are incredibly convenient. With just a computer or smartphone and an internet connection, you can access a vast library of resources on any subject imaginable. Whether you're a student looking for textbooks, a professional seeking industry-specific manuals, or someone interested in self-improvement, these digital resources provide an efficient and accessible means of acquiring knowledge. Moreover, PDF books and manuals offer a range of benefits compared to other digital formats. PDF files are designed to retain their formatting regardless of the device used to open them. This ensures that the content appears exactly as intended by the author, with no loss of formatting or missing graphics. Additionally, PDF files can be easily annotated, bookmarked, and searched for specific terms, making them highly practical for studying or referencing. When it comes to accessing Introduction To Internal Combustion Engine Richard Stone books and manuals, several platforms offer an extensive collection of resources. One such platform is Project Gutenberg, a nonprofit organization that provides over 60,000 free eBooks. These books are primarily in the public domain, meaning they

can be freely distributed and downloaded. Project Gutenberg offers a wide range of classic literature, making it an excellent resource for literature enthusiasts. Another popular platform for Introduction To Internal Combustion Engine Richard Stone books and manuals is Open Library. Open Library is an initiative of the Internet Archive, a non-profit organization dedicated to digitizing cultural artifacts and making them accessible to the public. Open Library hosts millions of books, including both public domain works and contemporary titles. It also allows users to borrow digital copies of certain books for a limited period, similar to a library lending system. Additionally, many universities and educational institutions have their own digital libraries that provide free access to PDF books and manuals. These libraries often offer academic texts, research papers, and technical manuals, making them invaluable resources for students and researchers. Some notable examples include MIT OpenCourseWare, which offers free access to course materials from the Massachusetts Institute of Technology, and the Digital Public Library of America, which provides a vast collection of digitized books and historical documents. In conclusion, Introduction To Internal Combustion Engine Richard Stone books and manuals for download have transformed the way we access information. They provide a cost-effective and convenient means of acquiring knowledge, offering the ability to access a vast library of resources at our fingertips. With platforms like Project Gutenberg, Open Library, and various digital libraries offered by educational institutions, we have access to an ever-expanding collection of books and manuals. Whether for educational, professional, or personal purposes, these digital resources serve as valuable tools for continuous learning and self-improvement. So why not take advantage of the vast world of Introduction To Internal Combustion Engine Richard Stone books and manuals for download and embark on your journey of knowledge?

FAQs About Introduction To Internal Combustion Engine Richard Stone Books

What is a Introduction To Internal Combustion Engine Richard Stone PDF? A PDF (Portable Document Format) is a file format developed by Adobe that preserves the layout and formatting of a document, regardless of the software, hardware, or operating system used to view or print it. **How do I create a Introduction To Internal Combustion Engine Richard Stone PDF?** There are several ways to create a PDF: Use software like Adobe Acrobat, Microsoft Word, or Google Docs, which often have built-in PDF creation tools. Print to PDF: Many applications and operating systems have a "Print to PDF" option that allows you to save a document as a PDF file instead of printing it on paper. Online converters: There are various online tools that can convert different file types to PDF. **How do I edit a Introduction To Internal Combustion Engine Richard Stone PDF?** Editing a PDF can be done with software like Adobe Acrobat, which allows direct editing of text, images, and other elements within the PDF. Some free tools, like PDFescape or Smallpdf, also offer basic editing capabilities. **How do I convert a Introduction To Internal Combustion Engine Richard Stone PDF to another file**

format? There are multiple ways to convert a PDF to another format: Use online converters like Smallpdf, Zamzar, or Adobe Acrobats export feature to convert PDFs to formats like Word, Excel, JPEG, etc. Software like Adobe Acrobat, Microsoft Word, or other PDF editors may have options to export or save PDFs in different formats. **How do I password-protect a Introduction To Internal Combustion Engine Richard Stone PDF?** Most PDF editing software allows you to add password protection. In Adobe Acrobat, for instance, you can go to "File" -> "Properties" -> "Security" to set a password to restrict access or editing capabilities. Are there any free alternatives to Adobe Acrobat for working with PDFs? Yes, there are many free alternatives for working with PDFs, such as: LibreOffice: Offers PDF editing features. PDFsam: Allows splitting, merging, and editing PDFs. Foxit Reader: Provides basic PDF viewing and editing capabilities. How do I compress a PDF file? You can use online tools like Smallpdf, ILovePDF, or desktop software like Adobe Acrobat to compress PDF files without significant quality loss. Compression reduces the file size, making it easier to share and download. Can I fill out forms in a PDF file? Yes, most PDF viewers/editors like Adobe Acrobat, Preview (on Mac), or various online tools allow you to fill out forms in PDF files by selecting text fields and entering information. Are there any restrictions when working with PDFs? Some PDFs might have restrictions set by their creator, such as password protection, editing restrictions, or print restrictions. Breaking these restrictions might require specific software or tools, which may or may not be legal depending on the circumstances and local laws.

Find Introduction To Internal Combustion Engine Richard Stone :

[6 basic pneumatic system components gears eds](#)

3 pag 28 38 design and analysis of conjugate cam

50 essays a portable anthology 4th edition pdf

[5 technology stocks that will power the next industrial](#)

[2013 hsc math 2nd paper question bd](#)

[2009 audi a6 instrument panel light guide](#)

[2stroke engine](#)

[3 atoms the building blocks of matter wikispaces](#)

300 successful business letters for all occasions 3rd edition barrons 300 successful business letters for all occasions

[2009 ford ranger truck service shop repair manual set 2 volume set and the electrical wiring diagrams manual](#)

[2016 cfa level 2 schweser notes 3 practice exams with answers quicksheet](#)

2001 mazda 626 online repair manual

303 epps notes on improved cases

21 model baju batik muslimah modern terbaru 2017 2018

2002 mitsubishi lancer engines prbonn

Introduction To Internal Combustion Engine Richard Stone :

bowling psychology by dean hinitz pdf pdf goal video - Jun 14 2023

web bowling psychology by dean hinitz pdf free ebook download as pdf file pdf text file txt or read book online for free this book is a revised edition of focused for bowling published in 2003 by dean hinitz the web addresses cited in this text were current as of january 2016 unless otherwise noted

bowling the handbook of bowling psychology paperback - Dec 08 2022

web may 30 2006 coauthored by sport psychologist dr eric s lasser hall of fame coach fred borden and team usa head coach jeri edwards sport psychology library bowling the handbook of bowling psychology provides bowlers with the specific psychological strategies and exercises necessary for that sound mental game

bowling psychology english edition kindle ausgabe amazon de - Feb 10 2023

web bowling psychology english edition ebook hinitz dean belmonte jason belmonte jason amazon de kindle shop

bowling psychology english edition versión kindle amazon es - Aug 04 2022

web lee ahora en digital con la aplicación gratuita kindle

télécharger bowling psychology english edition de dean - Mar 31 2022

web jun 17 2022 download bowling psychology english edition de dean hinitz pdf epub mobi gratis bowling psychology english edition pdf en linea lee ahora descargar bowling psychology english edition de dean hinitz

bowling psychology 9781492504085 9781492504085 ebay - Feb 27 2022

web aug 7 2023 bowling psychology paperback by hinitz dean like new used free p p in the uk 51 12 20 26 shipping

bowling psychology hinitz dean google books - Aug 16 2023

web may 16 2016 dean hinitz gives serious bowlers the mental tools for performing at their best bowling psychology features the latest mental training concepts including mindfulness training sensory awareness and mind body connection as well as insightful interviews from top bowlers many of whom are clients of the author

bowling psychology english edition ebook kindle - Oct 06 2022

web compre bowling psychology english edition de hinitz dean belmonte jason belmonte jason na amazon com br confira também os ebooks mais vendidos lançamentos e livros digitais exclusivos

bowling psychology kindle edition amazon com - May 13 2023

web sep 17 2015 as the leading authority on bowling s mental game dean hinitz has worked with the premier players coaches and teams in the sport he has helped countless pros elevate their results avoid slumps and overcome stressors affecting performance

bowling psychology english edition edición kindle - Nov 07 2022

web bowling psychology english edition ebook hinitz dean belmonte jason belmonte jason amazon com mx tienda kindle [bowling psychology english edition format kindle amazon fr](#) - Jul 03 2022

web achetez et téléchargez ebook bowling psychology english edition boutique kindle bowling amazon fr

bowling psychology english edition kindle edition amazon de - Mar 11 2023

web bowling psychology english edition ebook hinitz dean belmonte jason belmonte jason amazon de kindle store

bowling psychology english edition by dean hinitz - Jan 29 2022

web may 18th 2020 coauthored by sport psychologist dr eric s lasser hall of fame coach fred borden and team usa head coach jeri edwards sport psychology library bowling the handbook of bowling psychology provides bowlers with the specific psychological strategies and exercises necessary for that sound mental game including grace under

[bowling psychology 2016 edition open library](#) - Apr 12 2023

web bowling psychology by dean hinitz 2016 human kinetics edition in english it looks like you re offline donate Čeština cs deutsch de english en an edition of bowling psychology 2016 bowling psychology by dean hinitz 0 ratings 0 want to read 0 currently reading

bowling psychology english edition cyberlab sutd edu sg - Jun 02 2022

web bowling psychology english edition modern general psychology second edition revised and expanded in 2 vols feb 17 2023 the science of psychology an appreciative view jul 30 2021 the second edition of the science of psychology brings a truly appreciative view of psychology as a

bowling psychology how to master the mental game of bowling english - Dec 28 2021

web green ky customer reviews bowling psychology how to mental game 101 your brain is a lousy pool player kentucky masters in psychology degree programs 2020 10 ways to improve your mental game sports psychology ohio counseling degrees mental and physical health benefits of bowling the psychology ranking 2018 bowling green state

bowling psychology english edition kindle - May 01 2022

web sep 17 2015 bowling psychology english edition kindle edition by hinitz dean belmonte jason belmonte jason download it once and read it on your kindle device pc phones or tablets use features like bookmarks note taking and highlighting while reading bowling psychology english edition

bowling psychology ebooks - Sep 05 2022

web dec 27 2016 [bowling psychology 2016 isbn 1492504084 english 248 pages pdf 4 mb as the leading authority on bowling s mental game dean hinitz has worked with the premier players coaches and teams in the sport review of sport psychology library bowling the handbook of bowling](#) - Jan 09 2023

web reviews the book [sport psychology library bowling the handbook of bowling psychology by e s lasser f borden j edwards 2006 the handbook of bowling psychology is one of the first genuine handbooks i have seen that is dedicated to mental skills training of tenpin bowlers the authors use sport specific terminology to provide](#)

bowling psychology hinitz dean belmonte jason - Jul 15 2023

web may 23 2016 [in bowling psychology you ll learn the mental strategies to perform your best day in day out from progressive muscle relaxing techniques to positive self talk and focus cues you will pick up spares more consistently improve accuracy and](#)

[yamaha wr450f 2006 2010 service repair manual bitmanual](#) - Sep 21 2022

web download diy service repair manual for 2006 2010 yamaha wr450f highly detailed with complete instructions and illustrations wiring and diagrams to service your machine [dwnload service repair manual for yamaha wr450f](#)

[yamaha wr450f offroad 2020 workshop service manual](#) - Nov 23 2022

web 1 general information 2 specifications 3 periodic checks and adjustments 4 chassis 5 engine 6 cooling system 7 fuel injection system 8 electrical system 9 troubleshooting 10 tuning [download manuals now post id 4954088696147499505](#) lots of pdf files of yamaha motorcycle

[yamaha wr450f y 2009 owner s service manual](#) - Mar 28 2023

web view and download [yamaha wr450f y 2009 owner s service manual online wr450f y 2009 motorcycle pdf manual download](#)

[yamaha wr450f service repair manuals on motor era](#) - Oct 23 2022

web classic car info home motorcycle repair service manuals [yamaha wr450f yamaha wr450f service repair manuals on motor era motor era offers service repair manuals for your yamaha wr450f download your manual now yamaha wr450f service repair manuals complete list of yamaha wr450f motorcycle service repair manuals](#)

[user manual yamaha wr450f 2004 english 758 pages](#) - Jul 20 2022

web view the manual for the [yamaha wr450f 2004](#) here for free this manual comes under the category motorcycles and has been rated by 8 people with an average of a 9 1 this manual is available in the following languages english

yamaha wr450f owner s manual pdf download manualslib - Feb 24 2023

web motorcycle [yamaha wr450fv2008 owner s service manual 220 pages motorcycle yamaha wr450fb owner s manual 100 pages motorcycle yamaha wr450f y 2009 owner s service manual 227 pages motorcycle yamaha wr450fb 2012 owner s](#)

service manual 387 pages motorcycle yamaha wr450fb 2012 owner s service
[wr450f yamaha motor](#) - Jun 30 2023

web important manual information eau10133 particularly important information is distinguished in this manual by the following notations product and specifications are
[yamaha wr450 manuals enduro team](#) - Dec 25 2022

web apr 4 2021 service manual wr450fr service manual wr450fs service manual wr450ft service manual wr450f 2track 2wd service manual wr450fw service manual wr450fy service manual wr450fa service manual wr450fb owners manual wr450 owners manual wr450 owners manual wr450
[wr450f yamaha motor](#) - Jan 26 2023

web yamaha continually seeks advancements in product design and quality therefore while this manual contains the most current product information available at the time of printing there may be minor discrepancies between your motorcycle and this manual if there is any question concerning this manual please consult a yamaha dealer warning

2005 yamaha wr450f owner s manual 758 pages pdf - Feb 12 2022

web manual description frequent cleaning of your machine will enhance its appearance maintain good overall performance and extend the life of many components 1 before washing the machine block off the end of the exhaust pipe to prevent water from entering

[yamaha wr450f owner s service manual pdf download manualslib](#) - Sep 02 2023

web view and download yamaha wr450f owner s service manual online wr450f motorcycle pdf manual download also for wr450fg

user manual yamaha wr450f 2008 english 224 pages - Mar 16 2022

web view the manual for the yamaha wr450f 2008 here for free this manual comes under the category motorcycles and has been rated by 7 people with an average of a 9.1 this manual is available in the following languages english

[user manual yamaha wr450f 2006 english 794 pages](#) - Aug 21 2022

web view the manual for the yamaha wr450f 2006 here for free this manual comes under the category motorcycles and has been rated by 10 people with an average of a 8.3 this manual is available in the following languages english do you have a question about the yamaha wr450f 2006 or do you need help ask your question here

yamaha wr450fb 2012 owner s service manual pdf - May 30 2023

web view and download yamaha wr450fb 2012 owner s service manual online wr450fb 2012 motorcycle pdf manual download

yamaha wr450f w owner s service manual pdf - Oct 03 2023

web view and download yamaha wr450f w owner s service manual online wr series wr450f w motorcycle pdf manual download also for wr450f 2007 wr450fw 2007 wr450f

[yamaha wr450f v owner s service manual pdf download](#) - Apr 28 2023

web view and download yamaha wr450f v owner s service manual online wr450f v motorcycle pdf manual download also for wr450f

user manual yamaha wr450f 2016 english 426 pages - May 18 2022

web manuel d atelier du propriétaire wr450f wr450fg 2gc 28199 70 2016 q read this manual carefully before operating this vehicle q il convient de lire attentivement ce manuel avant la première utilisation du véhicule page 1 426 manual view the manual for the yamaha wr450f 2016 here for free

yamaha wr450f s owner s service manual pdf download manualslib - Aug 01 2023

web view and download yamaha wr450f s owner s service manual online wr series wr450f s motorcycle pdf manual download also for wr450f wr450 fs 2004

yamaha wr450f v 2006 motorcycle service manual mt044596 - Apr 16 2022

web this yamaha wr450f v 2006 motorcycle service manual mt044596 provides detailed instructions illustrations and diagrams to help you repair and maintain your yamaha wr450f v 2006 motorcycle the manual covers general information specifications regular inspection and adjustments engine chassis electrical and tuning

user manual yamaha wr450f english 786 pages - Jun 18 2022

web view the manual for the yamaha wr450f here for free this manual comes under the category motorcycles and has been rated by 10 people with an average of a 8 2 this manual is available in the following languages english

a field guide to american houses archive org - Jun 12 2023

web a field guide to american houses revised by virginia savage mcalester 9780375710827 penguinrandomhouse com books the fully expanded updated and

a field guide to american houses amazon com - May 11 2023

web nov 10 2015 this revised edition includes a section on neighborhoods expanded and completely new categories of house styles with photos and descriptions of each an

a field guide to american houses the guide that enables you - Jan 27 2022

web sep 12 2023 advertisement in this guide you ll find a list of all the uc vanguard side missions in starfield and you ll be directed to comprehensive guides that ll break down

a field guide to american houses google books - Aug 14 2023

web focusing on dwellings in urban and suburban neighborhoods and rural locations all across the continental united states

houses built over the past three hundred years reflecting

a field guide to american houses worldcat org - Feb 25 2022

web description a field guide to american houses the definitive guide to identifying and understanding america s domestic architecture the fully expanded updated

towards linking lab and field lifetimes of perovskite solar cells - Aug 22 2021

a field guide to american houses revised the - Jul 13 2023

web looking at american houses style form structure pictorial key and glossary folk houses native american pre railroad national colonial houses 1600 1820

a field guide to american houses revised the definitive - Nov 24 2021

a field guide to american houses revised google books - Dec 06 2022

web read a field guide to american houses the definitive guide to identifying and understanding america s domestic architecture by virginia savage mcalester available

[american houses a field guide to the architecture of the home](#) - Mar 29 2022

web a field guide to american houses revised the definitive guide to identifying and understanding america s domestic architecture amazon com books buy new 45 54

[a field guide to american houses open library](#) - Oct 04 2022

web the guide that enables you to identify and place in their historic and architectural contexts the houses you see in your travels across america houses built for american families

uc vanguard side missions walkthrough starfield guide ign - Sep 22 2021

a field guide to american houses google books - Feb 08 2023

web nov 10 2015 this revised edition includes a section on neighborhoods expanded and completely new categories of house styles with photos and descriptions of each an

a field guide to american houses google books - May 31 2022

web a field guide to american houses revised the definitive guide to identifying and understanding america s domestic architecture virginia savage mcalester 4 8 out of 5

a field guide to american houses revised penguin random - Mar 09 2023

web nov 10 2015 the fully expanded updated and freshly designed second edition of the most comprehensive and widely

acclaimed guide to domestic architecture in print since

a field guide to american houses revised the - Nov 05 2022

web a field guide to american houses mcalester virginia 1943 free download borrow and streaming internet archive

a field guide to american houses kobo com - Aug 02 2022

web american houses is a historical guide to the architecture of the american home while other architectural field guides show only façades this book includes floor plans

a field guide to american houses archive org - Jul 01 2022

web focusing on dwellings in urban and suburban neighborhoods and rural locations all across the continental united states this guide provides in depth information on the essentials

a field guide to american houses your historic house - Oct 24 2021

a field guide to american houses the definitive guide to - Apr 29 2022

web jan 1 2004 a field guide to american houses revised the definitive guide to identifying and understanding america s domestic architecture virginia savage

american houses a field guide to the architecture of the home - Dec 26 2021

web sep 11 2023 improving the ion blocking properties of the sam htl increases averaged device operational stability at 50 c 85 c by a factor of 2.8 reaching over 1000 h at

a field guide to american houses revised penguin random - Apr 10 2023

web jul 29 2015 the fully expanded updated and freshly designed second edition of the most comprehensive and widely acclaimed guide to domestic architecture in print since its

a field guide to american houses goodreads - Jan 07 2023

web march 11 2019 art june 1 2022 it is more of a reference book than a cover to cover read but by golly it makes taking walks in my neighborhood much more exciting

a field guide to american houses revised the definit - Sep 03 2022

web jul 29 2015 a field guide to american houses the definitive guide to identifying and understanding america s domestic architecture kindle edition by mcalester virginia