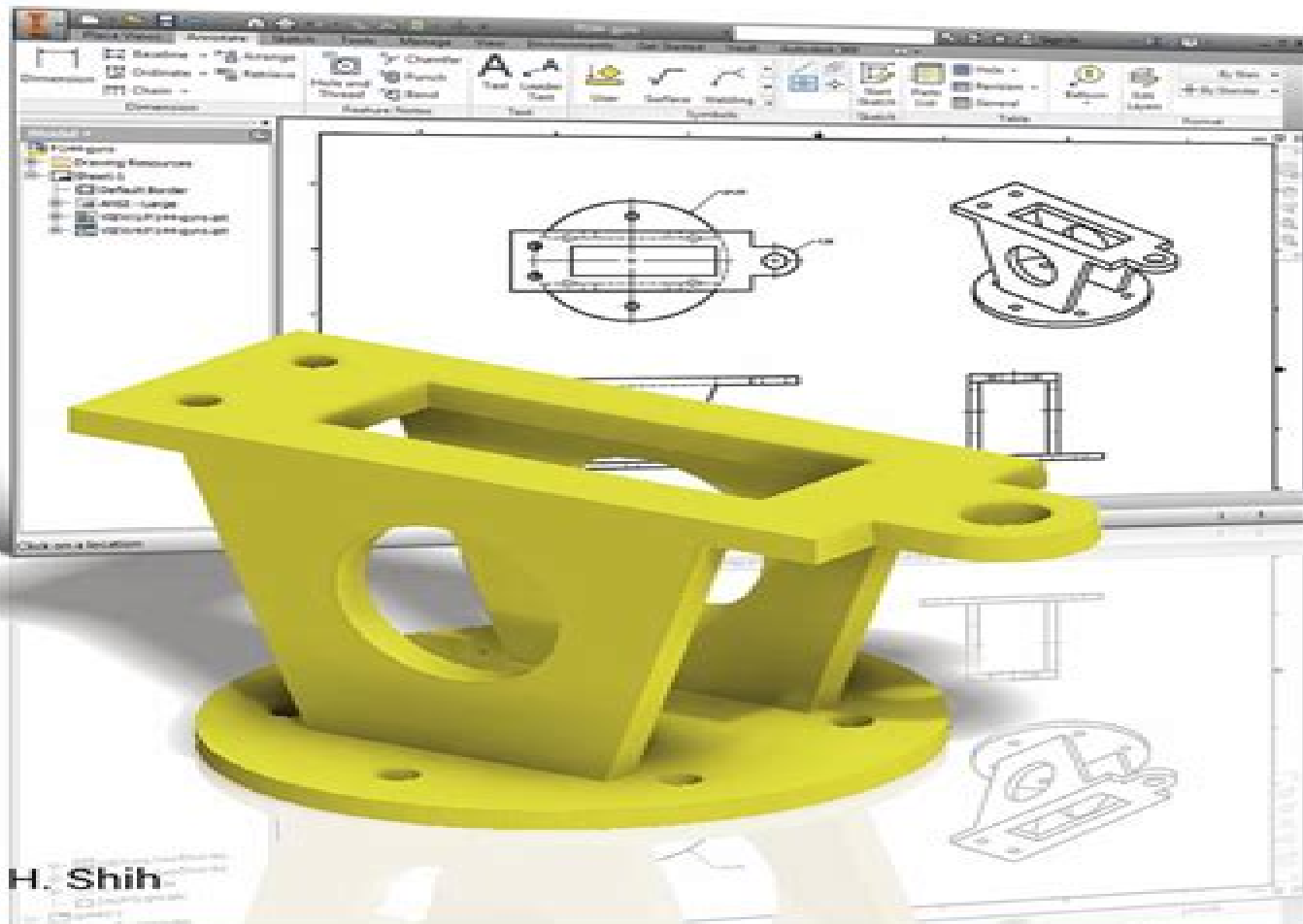


Parametric Modeling with Autodesk Inventor 2017



Randy H. Shih

Parametric Modeling With Autodesk Inventor 2017

M Walker



Parametric Modeling With Autodesk Inventor 2017:

Parametric Modeling with Autodesk Inventor 2017 Randy Shih, 2016-05 Parametric Modeling with Autodesk Inventor 2017 contains a series of sixteen tutorial style lessons designed to introduce Autodesk Inventor solid modeling and parametric modeling. It uses a hands-on, exercise-intensive approach to all the important parametric modeling techniques and concepts. The lessons guide the user from constructing basic shapes to building intelligent mechanical designs, creating multi-view drawings and assembly models. Other featured topics include sheet metal design, motion analysis, 2D design reuse, collision and contact stress analysis, and the Autodesk Inventor 2017 Certified User Examination. [Parametric Modeling with Autodesk Inventor 2024](#) Randy Shih, 2023-08-16 Designed specifically for beginners with no prior CAD experience. Uses a hands-on, exercise-intensive tutorial style approach. Comes with extensive video instruction. Covers parametric modeling, 3D Modeling, 3D printing, and the Autodesk Inventor Certified User Exam. Contains a chapter introducing you to stress analysis. **Parametric Modeling with Autodesk Inventor 2024** contains a series of seventeen tutorial style lessons designed to introduce Autodesk Inventor solid modeling and parametric modeling. It uses a hands-on, exercise-intensive approach to all the important parametric modeling techniques and concepts. The lessons guide the user from constructing basic shapes to building intelligent mechanical designs, creating multi-view drawings and assembly models. Other featured topics include sheet metal design, motion analysis, 2D design reuse, collision and contact stress analysis, 3D printing, and the Autodesk Inventor 2024 Certified User Examination. Video Training Included with every new copy of this book is access to extensive video training. There are forty-seven videos that total nearly six hours of training in total. This video training parallels the exercises found in the text. However, the videos do more than just provide you with click-by-click instructions. Author Luke Jumper also includes a brief discussion of each tool as well as rich insight into why and how the tools are used. Luke isn't just telling you what to do; he's showing and explaining to you how to go through the exercises while providing clear descriptions of the entire process. It's like having him there guiding you through the book. These videos will provide you with a wealth of information and bring the text to life. They are also an invaluable resource for people who learn best through a visual experience. These videos deliver a comprehensive overview of the tools found in Autodesk Inventor and perfectly complement and reinforce the exercises in the book. *Parametric Modeling with Autodesk Inventor 2025* Randy Shih, 2024-06 Designed specifically for beginners with no prior CAD experience. Uses a hands-on, exercise-intensive tutorial style approach. Comes with extensive video instruction. Covers parametric modeling, 3D Modeling, 3D printing, and the Autodesk Inventor Certified User Exam. Contains a chapter introducing you to stress analysis. **Parametric Modeling with Autodesk Inventor 2025** contains a series of seventeen tutorial style lessons designed to introduce Autodesk Inventor solid modeling and parametric modeling. It uses a hands-on, exercise-intensive approach to all the important parametric modeling techniques and concepts. The lessons guide the user from constructing basic shapes to building intelligent mechanical designs, creating multi-view drawings and

assembly models Other featured topics include sheet metal design motion analysis 2D design reuse collision and contact stress analysis 3D printing and the Autodesk Inventor 2025 Certified User Examination Video Training Included with every new copy of this book is access to extensive video training There are forty seven videos that total nearly six hours of training in total This video training parallels the exercises found in the text However the videos do more than just provide you with click by click instructions Author Luke Jumper also includes a brief discussion of each tool as well as rich insight into why and how the tools are used Luke isn t just telling you what to do he s showing and explaining to you how to go through the exercises while providing clear descriptions of the entire process It s like having him there guiding you through the book These videos will provide you with a wealth of information and brings the text to life They are also an invaluable resource for people who learn best through a visual experience These videos deliver a comprehensive overview of the tools found in Autodesk Inventor and perfectly complement and reinforce the exercises in the book

Parametric Modeling with Autodesk Inventor 2018 Randy Shih,2017-09-07 Parametric Modeling with Autodesk Inventor 2018 contains a series of seventeen tutorial style lessons designed to introduce Autodesk Inventor solid modeling and parametric modeling It uses a hands on exercise intensive approach to all the important parametric modeling techniques and concepts The lessons guide the user from constructing basic shapes to building intelligent mechanical designs creating multi view drawings and assembly models Other featured topics include sheet metal design motion analysis 2D design reuse collision and contact stress analysis 3D printing and the Autodesk Inventor 2018 Certified User Examination

Parametric Modeling with Autodesk Inventor 2023 Randy Shih,Luke Jumper,2022-07 Parametric Modeling with Autodesk Inventor 2023 contains a series of seventeen tutorial style lessons designed to introduce Autodesk Inventor solid modeling and parametric modeling It uses a hands on exercise intensive approach to all the important parametric modeling techniques and concepts The lessons guide the user from constructing basic shapes to building intelligent mechanical designs to creating multi view drawings and assembly models Other featured topics include sheet metal design motion analysis 2D design reuse collision and contact stress analysis 3D printing and the Autodesk Inventor 2023 Certified User Examination Video Training Included with every new copy of this book is access to extensive video training There are forty seven videos that total nearly six hours of training in total This video training parallels the exercises found in the text However the videos do more than just provide you with click by click instructions Author Luke Jumper also includes a brief discussion of each tool as well as rich insight into why and how the tools are used Luke isn t just telling you what to do he s showing and explaining to you how to go through the exercises while providing clear descriptions of the entire process It s like having him there guiding you through the book These videos will provide you with a wealth of information and brings the text to life They are also an invaluable resource for people who learn best through a visual experience These videos deliver a comprehensive overview of the tools found in Autodesk Inventor and perfectly complement and reinforce the exercises in the book

Parametric Modeling with

Autodesk Inventor 2019 Randy Shih, 2018 Parametric Modeling with Autodesk Inventor 2019 contains a series of seventeen tutorial style lessons designed to introduce Autodesk Inventor solid modeling and parametric modeling. It uses a hands on exercise intensive approach to all the important parametric modeling techniques and concepts. The lessons guide the user from constructing basic shapes to building intelligent mechanical designs to creating multi view drawings and assembly models. Other featured topics include sheet metal design motion analysis 2D design reuse collision and contact stress analysis 3D printing and the Autodesk Inventor 2019 Certified User Examination. Autodesk Inventor 2019 Certified User Examination. The content of Parametric Modeling with Autodesk Inventor 2019 covers the performance tasks that have been identified by Autodesk as being included on the Autodesk Inventor 2019 Certified User examination. Special reference guides show students where the performance tasks are covered in the book. If you are teaching an introductory level Autodesk Inventor course and you want to prepare your students for the Autodesk Inventor 2019 Certified User Examination, this is the only book that you need. If your students are not interested in the Autodesk Inventor 2019 Certified User Exam, they will still be studying the most important tools and techniques of Autodesk Inventor as identified by Autodesk.

Proceedings of the 5th International Conference on Industrial Engineering (ICIE 2019) Andrey A.

Radionov, Oleg A. Kravchenko, Victor I. Guzeev, Yuriy V. Rozhdestvenskiy, 2019-11-30. This book highlights recent findings in industrial manufacturing and mechanical engineering and provides an overview of the state of the art in these fields, mainly in Russia and Eastern Europe. A broad range of topics and issues in modern engineering are discussed, including the dynamics of machines and working processes, friction, wear, and lubrication in machines, surface transport, and technological machines, manufacturing engineering of industrial facilities, materials engineering, metallurgy, control systems, and their industrial applications, industrial mechatronics, automation, and robotics. The book gathers selected papers presented at the 5th International Conference on Industrial Engineering (ICIE) held in Sochi, Russia, in March 2019. The authors are experts in various fields of engineering, and all papers have been carefully reviewed. Given its scope, the book will be of interest to a wide readership, including mechanical and production engineers, lecturers in engineering disciplines, and engineering graduates.

Parametric Modeling with Autodesk Inventor 2022 Randy Shih, Luke Jumper, 2021-06. Parametric Modeling with Autodesk Inventor 2022 contains a series of seventeen tutorial style lessons designed to introduce Autodesk Inventor solid modeling and parametric modeling. It uses a hands on exercise intensive approach to all the important parametric modeling techniques and concepts. The lessons guide the user from constructing basic shapes to building intelligent mechanical designs to creating multi view drawings and assembly models. Other featured topics include sheet metal design motion analysis 2D design reuse collision and contact stress analysis 3D printing and the Autodesk Inventor 2022 Certified User Examination. Video Training Included with every new copy of this book is access to extensive video training. There are forty seven videos that total nearly six hours of training in total. This video training parallels the exercises found in the text.

However the videos do more than just provide you with click by click instructions Author Luke Jumper also includes a brief discussion of each tool as well as rich insight into why and how the tools are used Luke isn't just telling you what to do he's showing and explaining to you how to go through the exercises while providing clear descriptions of the entire process It's like having him there guiding you through the book These videos will provide you with a wealth of information and brings the text to life They are also an invaluable resource for people who learn best through a visual experience These videos deliver a comprehensive overview of the tools found in Autodesk Inventor and perfectly complement and reinforce the exercises in the book Proceedings of the 10th International Conference on Industrial Engineering Andrey A. Radionov, Vadim R.

Gasiyarov, 2024-07-20 This book highlights recent findings in industrial manufacturing and mechanical engineering and provides an overview of the state of the art in these fields mainly in Russia and Eastern Europe A broad range of topics and issues in modern engineering is discussed including the machinery and mechanism design dynamics of machines and working processes friction wear and lubrication in machines design and manufacturing engineering of industrial facilities transport and technological machines mechanical treatment of materials industrial hydraulic systems This book gathers selected papers presented at the 10th International Conference on Industrial Engineering ICIE held in Sochi Russia in May 2024 The authors are experts in various fields of engineering and all papers have been carefully reviewed Given its scope this book will be of interest to a wide readership including mechanical and production engineers lecturers in engineering disciplines and engineering graduates **Proceedings of the 9th International Conference on Industrial Engineering**

Andrey A. Radionov, Vadim R. Gasiyarov, 2023-08-28 This book highlights recent findings in industrial manufacturing and mechanical engineering and provides an overview of the state of the art in these fields mainly in Russia and Eastern Europe A broad range of topics and issues in modern engineering is discussed including the machinery and mechanism design dynamics of machines and working processes friction wear and lubrication in machines design and manufacturing engineering of industrial facilities transport and technological machines mechanical treatment of materials industrial hydraulic systems This book gathers selected papers presented at the 9th International Conference on Industrial Engineering ICIE held in Sochi Russia in May 2023 The authors are experts in various fields of engineering and all papers have been carefully reviewed Given its scope this book will be of interest to a wide readership including mechanical and production engineers lecturers in engineering disciplines and engineering graduates Parametric Modeling with Autodesk Inventor

2020 Randy Shih, 2019-06 Parametric Modeling with Autodesk Inventor 2020 contains a series of seventeen tutorial style lessons designed to introduce Autodesk Inventor solid modeling and parametric modeling It uses a hands on exercise intensive approach to all the important parametric modeling techniques and concepts The lessons guide the user from constructing basic shapes to building intelligent mechanical designs to creating multi view drawings and assembly models Other featured topics include sheet metal design motion analysis 2D design reuse collision and contact stress analysis 3D

printing and the Autodesk Inventor 2020 Certified User Examination Autodesk Inventor 2020 Certified User Examination The content of Parametric Modeling with Autodesk Inventor 2020 covers the performance tasks that have been identified by Autodesk as being included on the Autodesk Inventor 2020 Certified User examination Special reference guides show students where the performance tasks are covered in the book *Tools for Design Using AutoCAD 2017 and Autodesk Inventor 2017* Randy Shih,2016 *Tools for Design* is intended to provide the user with an overview of computer aided design using two popular CAD software packages from Autodesk AutoCAD and Autodesk Inventor This book explores the strengths of each package and shows how they can be used in design both separately and in combination with each other

Parametric Modeling with Autodesk Inventor 2021 Randy Shih,Luke Jumper,2020-07 Parametric Modeling with Autodesk Inventor 2021 contains a series of seventeen tutorial style lessons designed to introduce Autodesk Inventor solid modeling and parametric modeling It uses a hands on exercise intensive approach to all the important parametric modeling techniques and concepts The lessons guide the user from constructing basic shapes to building intelligent mechanical designs to creating multi view drawings and assembly models Other featured topics include sheet metal design motion analysis 2D design reuse collision and contact stress analysis 3D printing and the Autodesk Inventor 2021 Certified User Examination Video Training Included with every new copy of this book is access to extensive video training The video training parallels the exercises found in the text and are designed to be watched first before following the instructions in the book However the videos do more than just provide you with click by click instructions Author Luke Jumper also includes a brief discussion of each tool as well as rich insight into why and how the tools are used Luke isn t just telling you what to do he s showing and explaining to you how to go through the exercises while providing clear descriptions of the entire process It s like having him there guiding you through the book These videos will provide you with a wealth of information and brings the text to life They are also an invaluable resource for people who learn best through a visual experience These videos deliver a comprehensive overview of the tools found in Autodesk Inventor and perfectly complement and reinforce the exercises in the book Autodesk Inventor 2021 Certified User Examination The content of Parametric Modeling with Autodesk Inventor 2021 covers the performance tasks that have been identified by Autodesk as being included on the Autodesk Inventor 2021 Certified User examination Special reference guides show students where the performance tasks are covered in the book **Parametric Modeling with Autodesk Inventor 2016** Randy Shih,2015-05 Parametric Modeling with Autodesk Inventor 2016 contains a series of sixteen tutorial style lessons designed to introduce Autodesk Inventor solid modeling and parametric modeling It uses a hands on exercise intensive approach to all the important parametric modeling techniques and concepts The lessons guide the user from constructing basic shapes to building intelligent mechanical designs creating multi view drawings and assembly models Other featured topics include sheet metal design motion analysis 2D design reuse collision and contact stress analysis and the Autodesk Inventor 2016 Certified User Examination

AutoCAD 2019 Tutorial First Level 2D Fundamentals Randy Shih, Luke Jumper, 2018-05-31 The primary goal of AutoCAD 2019 Tutorial First Level 2D Fundamentals is to introduce the aspects of Computer Aided Design and Drafting CADD This text is intended to be used as a training guide for students and professionals This text covers AutoCAD 2019 and the lessons proceed in a pedagogical fashion to guide you from constructing basic shapes to making multiview drawings This textbook contains a series of eleven tutorial style lessons designed to introduce beginning CAD users to AutoCAD 2019 It takes a hands on exercise intensive approach to all the important 2D CAD techniques and concepts This text is also helpful to AutoCAD users upgrading from a previous release of the software The new improvements and key enhancements of the software are incorporated into the lessons The 2D CAD techniques and concepts discussed in this text are also designed to serve as the foundation to the more advanced parametric feature based CAD packages such as Autodesk Inventor The basic premise of this book is that the more designs you create using AutoCAD 2019 the better you learn the software With this in mind each lesson introduces a new set of commands and concepts building on previous lessons This book is intended to help readers establish a good basis for exploring and growing in the exciting field of Computer Aided Engineering Video Training Included with every new copy of AutoCAD 2019 Tutorial First Level 2D Fundamentals is access to extensive video training The video training parallels the exercises found in the text and are designed to be watched first before following the instructions in the book However the videos do more than just provide you with click by click instructions Author Luke Jumper also includes a brief discussion of each tool as well as rich insight into why and how the tools are used Luke isn't just telling you what to do he's showing and explaining to you how to go through the exercises while providing clear descriptions of the entire process It's like having him there guiding you through the book These videos will provide you with a wealth of information and brings the text to life They are also an invaluable resource for people who learn best through a visual experience These videos deliver a comprehensive overview of the 2D tools found in AutoCAD and perfectly complement and reinforce the exercises in the book AutoCAD 2019 Certified User Examination The content of AutoCAD 2019 Tutorial First Level 2D Fundamentals covers the performance tasks that have been identified by Autodesk as being included on the AutoCAD 2019 Certified User Examination Special reference guides show you where the performance tasks are covered in the book If you are teaching an introductory level AutoCAD course and you want to prepare your students for the AutoCAD 2019 Certified User Examination this is the only book that you need If your students are not interested in the AutoCAD 2019 Certified User Examination they will still be studying the most important tools and techniques of AutoCAD as identified by Autodesk

AutoCAD 2020 Tutorial First Level 2D Fundamentals Randy Shih, Luke Jumper, 2019-06 The primary goal of AutoCAD 2020 Tutorial First Level 2D Fundamentals is to introduce the aspects of Computer Aided Design and Drafting CADD This text is intended to be used as a training guide for students and professionals This text covers AutoCAD 2020 and the lessons proceed in a pedagogical fashion to guide you from constructing basic shapes to making multiview drawings This

textbook contains a series of eleven tutorial style lessons designed to introduce beginning CAD users to AutoCAD 2020. It takes a hands on exercise intensive approach to all the important 2D CAD techniques and concepts. This text is also helpful to AutoCAD users upgrading from a previous release of the software. The new improvements and key enhancements of the software are incorporated into the lessons. The 2D CAD techniques and concepts discussed in this text are also designed to serve as the foundation to the more advanced parametric feature based CAD packages such as Autodesk Inventor. The basic premise of this book is that the more designs you create using AutoCAD 2020 the better you learn the software. With this in mind each lesson introduces a new set of commands and concepts building on previous lessons. This book is intended to help readers establish a good basis for exploring and growing in the exciting field of Computer Aided Engineering Video Training. Included with every new copy of AutoCAD 2020 Tutorial First Level 2D Fundamentals is access to extensive video training. The video training parallels the exercises found in the text and is designed to be watched first before following the instructions in the book. However the videos do more than just provide you with click by click instructions. Author Luke Jumper also includes a brief discussion of each tool as well as rich insight into why and how the tools are used. Luke isn't just telling you what to do he's showing and explaining to you how to go through the exercises while providing clear descriptions of the entire process. It's like having him there guiding you through the book. These videos will provide you with a wealth of information and bring the text to life. They are also an invaluable resource for people who learn best through a visual experience. These videos deliver a comprehensive overview of the 2D tools found in AutoCAD and perfectly complement and reinforce the exercises in the book.

Advances in Design Engineering Francisco Cavas-Martínez, Félix Sanz-Adan, Paz Morer Camo, Ruben Lostado Lorza, Jacinto Santamaría Peña, 2020-03-09. This book gathers the papers presented at the XXIX International Congress INGEGRAF The digital transformation in graphic engineering which was held in Logroño Spain on June 20-21 2019. It reports on cutting edge topics in product design and manufacturing such as industrial methods for integrated product and process design innovative design and computer aided design. Further topics covered include virtual simulation and reverse engineering additive manufacturing product manufacturing engineering methods in medicine and education representation techniques and design and modeling for nautical engineering and construction aeronautics and aerospace contexts. The book is divided into six main sections reflecting the focus and primary themes of the conference. The contributions presented here will not only provide researchers engineers and experts in a range of industrial engineering subfields with extensive information to support them in their daily work but will also stimulate new research directions advanced applications of the methods discussed and future interdisciplinary collaborations.

Parametric Modeling with Autodesk Inventor 2015 Randy Shih, 2014-06-13. Parametric Modeling with Autodesk Inventor 2015 contains a series of sixteen tutorial style lessons designed to introduce Autodesk Inventor solid modeling and parametric modeling. It uses a hands on exercise intensive approach to all the important parametric modeling techniques and concepts. The lessons guide the

user from constructing basic shapes to building intelligent mechanical designs creating multi view drawings and assembly models Other featured topics include sheet metal design motion analysis 2D design reuse collision and contact stress analysis and the Autodesk Inventor 2015 Certified User Examination

AutoCAD 2021 Tutorial First Level 2D Fundamentals
Randy Shih,2020-06-10 The primary goal of AutoCAD 2021 Tutorial First Level 2D Fundamentals is to introduce the aspects of Computer Aided Design and Drafting CADD This text is intended to be used as a training guide for students and professionals This text covers AutoCAD 2021 and the lessons proceed in a pedagogical fashion to guide you from constructing basic shapes to making multiview drawings This textbook contains a series of eleven tutorial style lessons designed to introduce beginning CAD users to AutoCAD 2021 It takes a hands on exercise intensive approach to all the important 2D CAD techniques and concepts This text is also helpful to AutoCAD users upgrading from a previous release of the software The new improvements and key enhancements of the software are incorporated into the lessons The 2D CAD techniques and concepts discussed in this text are also designed to serve as the foundation to the more advanced parametric feature based CAD packages such as Autodesk Inventor The basic premise of this book is that the more designs you create using AutoCAD 2021 the better you learn the software With this in mind each lesson introduces a new set of commands and concepts building on previous lessons This book is intended to help readers establish a good basis for exploring and growing in the exciting field of Computer Aided Engineering Video Training Included with every new copy of AutoCAD 2021 Tutorial First Level 2D Fundamentals is access to extensive video training The video training parallels the exercises found in the text and is designed to be watched first before following the instructions in the book However the videos do more than just provide you with click by click instructions Author Luke Jumper also includes a brief discussion of each tool as well as rich insight into why and how the tools are used Luke isn't just telling you what to do he's showing and explaining to you how to go through the exercises while providing clear descriptions of the entire process It's like having him there guiding you through the book These videos will provide you with a wealth of information and bring the text to life They are also an invaluable resource for people who learn best through a visual experience These videos deliver a comprehensive overview of the 2D tools found in AutoCAD and perfectly complement and reinforce the exercises in the book

[Autodesk Inventor 2017 and Engineering Graphics](#) Randy Shih,2016-06 Autodesk Inventor 2017 and Engineering Graphics An Integrated Approach will teach you the principles of engineering graphics while instructing you on how to use the powerful 3D modeling capabilities of Autodesk Inventor 2017 Using step by step tutorials this text will teach you how to create and read engineering drawings while becoming proficient at using the most common features of Autodesk Inventor By the end you will be fully prepared to take and pass the Autodesk Inventor Certified User Exam This text is intended to be used as a training guide for students and professionals The chapters in this text proceed in a pedagogical fashion to guide you from constructing basic shapes to making complete sets of engineering drawings This text takes a hands on exercise intensive

approach to all the important concepts of Engineering Graphics as well as in depth discussions of parametric feature based CAD techniques This textbook contains a series of fifteen chapters with detailed step by step tutorial style lessons designed to introduce beginning CAD users to the graphic language used in all branches of technical industry This book does not attempt to cover all of Autodesk Inventor 2017 s features only to provide an introduction to the software It is intended to help you establish a good basis for exploring and growing in the exciting field of Computer Aided Engineering

Recognizing the way ways to get this books **Parametric Modeling With Autodesk Inventor 2017** is additionally useful. You have remained in right site to begin getting this info. get the Parametric Modeling With Autodesk Inventor 2017 colleague that we have enough money here and check out the link.

You could buy guide Parametric Modeling With Autodesk Inventor 2017 or acquire it as soon as feasible. You could quickly download this Parametric Modeling With Autodesk Inventor 2017 after getting deal. So, as soon as you require the ebook swiftly, you can straight acquire it. Its appropriately extremely easy and therefore fats, isnt it? You have to favor to in this appearance

<https://py.bijouxmedusa.com/data/virtual-library/HomePages/algebra%20essentials%20practice%20workbook%20with%20answers%20linear%20quadratic%20equations%20cross%20multiplying%20and%20systems%20of%20equations%20improve%20your%20math%20fluency%20series.pdf>

Table of Contents Parametric Modeling With Autodesk Inventor 2017

1. Understanding the eBook Parametric Modeling With Autodesk Inventor 2017
 - The Rise of Digital Reading Parametric Modeling With Autodesk Inventor 2017
 - Advantages of eBooks Over Traditional Books
2. Identifying Parametric Modeling With Autodesk Inventor 2017
 - Exploring Different Genres
 - Considering Fiction vs. Non-Fiction
 - Determining Your Reading Goals
3. Choosing the Right eBook Platform
 - Popular eBook Platforms
 - Features to Look for in an Parametric Modeling With Autodesk Inventor 2017
 - User-Friendly Interface
4. Exploring eBook Recommendations from Parametric Modeling With Autodesk Inventor 2017
 - Personalized Recommendations

- Parametric Modeling With Autodesk Inventor 2017 User Reviews and Ratings
- Parametric Modeling With Autodesk Inventor 2017 and Bestseller Lists
- 5. Accessing Parametric Modeling With Autodesk Inventor 2017 Free and Paid eBooks
 - Parametric Modeling With Autodesk Inventor 2017 Public Domain eBooks
 - Parametric Modeling With Autodesk Inventor 2017 eBook Subscription Services
 - Parametric Modeling With Autodesk Inventor 2017 Budget-Friendly Options
- 6. Navigating Parametric Modeling With Autodesk Inventor 2017 eBook Formats
 - ePub, PDF, MOBI, and More
 - Parametric Modeling With Autodesk Inventor 2017 Compatibility with Devices
 - Parametric Modeling With Autodesk Inventor 2017 Enhanced eBook Features
- 7. Enhancing Your Reading Experience
 - Adjustable Fonts and Text Sizes of Parametric Modeling With Autodesk Inventor 2017
 - Highlighting and Note-Taking Parametric Modeling With Autodesk Inventor 2017
 - Interactive Elements Parametric Modeling With Autodesk Inventor 2017
- 8. Staying Engaged with Parametric Modeling With Autodesk Inventor 2017
 - Joining Online Reading Communities
 - Participating in Virtual Book Clubs
 - Following Authors and Publishers Parametric Modeling With Autodesk Inventor 2017
- 9. Balancing eBooks and Physical Books Parametric Modeling With Autodesk Inventor 2017
 - Benefits of a Digital Library
 - Creating a Diverse Reading Collection Parametric Modeling With Autodesk Inventor 2017
- 10. Overcoming Reading Challenges
 - Dealing with Digital Eye Strain
 - Minimizing Distractions
 - Managing Screen Time
- 11. Cultivating a Reading Routine Parametric Modeling With Autodesk Inventor 2017
 - Setting Reading Goals Parametric Modeling With Autodesk Inventor 2017
 - Carving Out Dedicated Reading Time
- 12. Sourcing Reliable Information of Parametric Modeling With Autodesk Inventor 2017
 - Fact-Checking eBook Content of Parametric Modeling With Autodesk Inventor 2017

- Distinguishing Credible Sources
- 13. Promoting Lifelong Learning
 - Utilizing eBooks for Skill Development
 - Exploring Educational eBooks
- 14. Embracing eBook Trends
 - Integration of Multimedia Elements
 - Interactive and Gamified eBooks

Parametric Modeling With Autodesk Inventor 2017 Introduction

In this digital age, the convenience of accessing information at our fingertips has become a necessity. Whether its research papers, eBooks, or user manuals, PDF files have become the preferred format for sharing and reading documents. However, the cost associated with purchasing PDF files can sometimes be a barrier for many individuals and organizations. Thankfully, there are numerous websites and platforms that allow users to download free PDF files legally. In this article, we will explore some of the best platforms to download free PDFs. One of the most popular platforms to download free PDF files is Project Gutenberg. This online library offers over 60,000 free eBooks that are in the public domain. From classic literature to historical documents, Project Gutenberg provides a wide range of PDF files that can be downloaded and enjoyed on various devices. The website is user-friendly and allows users to search for specific titles or browse through different categories. Another reliable platform for downloading Parametric Modeling With Autodesk Inventor 2017 free PDF files is Open Library. With its vast collection of over 1 million eBooks, Open Library has something for every reader. The website offers a seamless experience by providing options to borrow or download PDF files. Users simply need to create a free account to access this treasure trove of knowledge. Open Library also allows users to contribute by uploading and sharing their own PDF files, making it a collaborative platform for book enthusiasts. For those interested in academic resources, there are websites dedicated to providing free PDFs of research papers and scientific articles. One such website is Academia.edu, which allows researchers and scholars to share their work with a global audience. Users can download PDF files of research papers, theses, and dissertations covering a wide range of subjects. Academia.edu also provides a platform for discussions and networking within the academic community. When it comes to downloading Parametric Modeling With Autodesk Inventor 2017 free PDF files of magazines, brochures, and catalogs, Issuu is a popular choice. This digital publishing platform hosts a vast collection of publications from around the world. Users can search for specific titles or explore various categories and genres. Issuu offers a seamless reading experience with its user-friendly interface and allows users to download PDF files for offline reading. Apart from dedicated platforms, search engines also play a crucial role in finding free PDF files. Google, for

instance, has an advanced search feature that allows users to filter results by file type. By specifying the file type as "PDF," users can find websites that offer free PDF downloads on a specific topic. While downloading Parametric Modeling With Autodesk Inventor 2017 free PDF files is convenient, it's important to note that copyright laws must be respected. Always ensure that the PDF files you download are legally available for free. Many authors and publishers voluntarily provide free PDF versions of their work, but it's essential to be cautious and verify the authenticity of the source before downloading Parametric Modeling With Autodesk Inventor 2017. In conclusion, the internet offers numerous platforms and websites that allow users to download free PDF files legally. Whether it's classic literature, research papers, or magazines, there is something for everyone. The platforms mentioned in this article, such as Project Gutenberg, Open Library, Academia.edu, and Issuu, provide access to a vast collection of PDF files. However, users should always be cautious and verify the legality of the source before downloading Parametric Modeling With Autodesk Inventor 2017 any PDF files. With these platforms, the world of PDF downloads is just a click away.

FAQs About Parametric Modeling With Autodesk Inventor 2017 Books

What is a Parametric Modeling With Autodesk Inventor 2017 PDF? A PDF (Portable Document Format) is a file format developed by Adobe that preserves the layout and formatting of a document, regardless of the software, hardware, or operating system used to view or print it. **How do I create a Parametric Modeling With Autodesk Inventor 2017 PDF?** There are several ways to create a PDF: Use software like Adobe Acrobat, Microsoft Word, or Google Docs, which often have built-in PDF creation tools. Print to PDF: Many applications and operating systems have a "Print to PDF" option that allows you to save a document as a PDF file instead of printing it on paper. Online converters: There are various online tools that can convert different file types to PDF. **How do I edit a Parametric Modeling With Autodesk Inventor 2017 PDF?** Editing a PDF can be done with software like Adobe Acrobat, which allows direct editing of text, images, and other elements within the PDF. Some free tools, like PDFescape or Smallpdf, also offer basic editing capabilities. **How do I convert a Parametric Modeling With Autodesk Inventor 2017 PDF to another file format?** There are multiple ways to convert a PDF to another format: Use online converters like Smallpdf, Zamzar, or Adobe Acrobat's export feature to convert PDFs to formats like Word, Excel, JPEG, etc. Software like Adobe Acrobat, Microsoft Word, or other PDF editors may have options to export or save PDFs in different formats. **How do I password-protect a Parametric Modeling With Autodesk Inventor 2017 PDF?** Most PDF editing software allows you to add password protection. In Adobe Acrobat, for instance, you can go to "File" -> "Properties" -> "Security" to set a password to restrict access or editing capabilities. Are there any free alternatives to Adobe Acrobat for working with PDFs? Yes, there are many free alternatives for working with PDFs, such as: LibreOffice:

Offers PDF editing features. PDFsam: Allows splitting, merging, and editing PDFs. Foxit Reader: Provides basic PDF viewing and editing capabilities. How do I compress a PDF file? You can use online tools like Smallpdf, ILovePDF, or desktop software like Adobe Acrobat to compress PDF files without significant quality loss. Compression reduces the file size, making it easier to share and download. Can I fill out forms in a PDF file? Yes, most PDF viewers/editors like Adobe Acrobat, Preview (on Mac), or various online tools allow you to fill out forms in PDF files by selecting text fields and entering information. Are there any restrictions when working with PDFs? Some PDFs might have restrictions set by their creator, such as password protection, editing restrictions, or print restrictions. Breaking these restrictions might require specific software or tools, which may or may not be legal depending on the circumstances and local laws.

Find Parametric Modeling With Autodesk Inventor 2017 :

[algebra essentials practice workbook with answers linear quadratic equations cross multiplying and systems of equations improve your math fluency series](#)

airport engineering notes

american football

aim high 3 workbook answers key

alstom distance protection guide book

[africa paper topics](#)

[aluminum curtain wall design](#)

aim higher reading comprehension student edition grade 3 level c 2001

affluenza how overconsumption is killing us and how to fight back ebook john de graaf david wann thomas h naylor

~~agile adoption patterns a roadmap to organizational~~

[almutlak filters profile](#)

[al farabi filsafat islam di dunia timur](#)

algerian english exams

air conditioning principles systems approach

algorithmic trading algorithmic trading strategies building ideas into profitable trading system portfolios

Parametric Modeling With Autodesk Inventor 2017 :

kreutzer zimmerman bass e journal stp ipi ac id - Apr 29 2022

web kreutzer zimmerman bass 2022 12 21 elle felipe developmental psychopathology volume 3 legare street press
developmental psychopathology second edition three

[kreutzer zimmerman bass test thelyst com](#) - Mar 29 2022

web kreutzer zimmerman bass is available in our book collection an online access to it is set as public so you can download it instantly our digital library spans in multiple countries

kreutzer rodolphe 18 studies bass solo amazon com - Aug 14 2023

web nov 13 2017 standard kreutzer etudes transcribed for bass by simandl with editing by zimmerman good exercises reasonably melodic and good bowing exercises to go

kreutzer zimmerman bass pdf - May 31 2022

web introduction kreutzer zimmerman bass pdf pdf the cambridge handbook of international prevention science moshe israelashvili 2017 the cambridge handbook of

kreutzer 18 studies double bass ed zimmermann sheet - May 11 2023

web double bass composed by franz simandl and rodolphe kreutzer 1766 1831 edited by fred zimmermann double bass solo strings repertoire solos 18 studies softcover

[kreutzer zimmerman bass uniport edu ng](#) - Aug 02 2022

web aug 11 2023 kreutzer zimmerman bass 2 3 downloaded from uniport edu ng on august 11 2023 by guest adagio in e minor for string bass and piano johann christian bach

kreutzer rodolphe 18 studies bass solo franz simandl fred - Jun 12 2023

web instrumentation string bass solo composed by rodolphe kreutzer 1766 1831 edited by fred zimmerman publisher item number 1180

bruce kreutzer wikipedia - Oct 24 2021

web bruce kreutzer is an american basketball coach and former player currently working as an assistant coach for the charlotte hornets of the national basketball association nba

[kreutzer zimmerman bass uniport edu ng](#) - Jan 27 2022

web mar 16 2023 kreutzer zimmerman bass 1 1 downloaded from uniport edu ng on march 16 2023 by guest kreutzer zimmerman bass if you ally need such a referred kreutzer

kreutzer simandl 18 studies lemur music - Jan 07 2023

web description kreutzer 18 studies for string bass simandl zimmermann sku int1180 categories bass method technique

books dvds etudes practice

martin kreuzer wikipedia - Dec 26 2021

web 2606 october 2019 iccf peak rating 2660 july 1992 martin kreuzer born 15 july 1962 in ihrlenstein is a german mathematics professor and chess player who holds the chess

kreutzer ken smith basses - Dec 06 2022

web violin cornered carved back orchestral double bass sold upper bout 20 1 8 belly length 44 back over button is 44 1 2 center bout 14 3 4 string length 41 1 2

kreutzer zimmerman bass - Oct 04 2022

web kreutzer zimmerman bass double bass study at the university of florida april 9th 2018 double bass study at the university of florida mvs 1414 mvs 2424 mvs 3434

kreutzer zimmerman bass uniport edu ng - Nov 05 2022

web jul 13 2023 kreutzer zimmerman bass 2 5 downloaded from uniport edu ng on july 13 2023 by guest fanfare 1984 the art of double bass playing warren benfield the art of

kreutzer zimmerman bass doblespacio uchile cl - Sep 03 2022

web as this kreutzer zimmerman bass it ends occurring inborn one of the favored ebook kreutzer zimmerman bass collections that we have this is why you remain in the best

kreutzer 18 studies for double bass ed zimmerman - Jul 13 2023

web menu back instruments

oliver kreuzer wikipedia - Nov 24 2021

web swiss super league 2002 winner schweizer cup 2002 club domestic league appearances and goals oliver kreuzer born 13 november 1965 is a german former

kreutzer zimmerman bass uniport edu ng - Sep 22 2021

web apr 19 2023 kreutzer zimmerman bass 3 5 downloaded from uniport edu ng on april 19 2023 by guest zimmermann 1976 sarabande and gavotte for string bass and piano

kreutzer zimmerman bass mail srilankalaw lk - Feb 25 2022

web 2 kreutzer zimmerman bass 2019 07 18 james jamerson was the embodiment of the motown spirit and groove the invisible entity whose playing inspired thousands his

kreutzer zimmerman bass uniport edu ng - Jul 01 2022

web kreutzer zimmerman bass 2 4 downloaded from uniport edu ng on may 4 2023 by guest underprivileged children which focuses on the arts benfield s particular aim is to teach

kreutzer zimmerman bass jetpack theaoi - Mar 09 2023

web kreutzer zimmerman bass bass kreutzer etude no 2 1 in zimmerman s instrumentation string bass solo composed by rodolphe kreutzer 1766 1831 edited by fred

[kreutzer zimmerman bass housing gov](#) - Feb 08 2023

web zimmerman kreutzer every octave of the bass so antonio giuseppe capuzzi double bass concerto documents similar to antonio giuseppe capuzzi double bass

kreutzer zimmerman bass server bertolotto com - Apr 10 2023

web june 25th 2018 kreutzer for kontrabass uploaded by andrés g saldarriaga zimmerman zimmerman the complete double bass parts orchestral works tschaikowsky

topic positive stories of getting caught crossdresser heaven - Apr 09 2023

web dec 18 2021 i went downstairs my mom and sister were there and it was just about dinner time dinner came and went with just the usual family chitchat later i was watching tv my dad came and sat beside me said i don t understand this will you tell me about it

crossdresser caught photos on flickr flickr - Apr 28 2022

web my darling husband caught me in this happy pose just before i left for a bit of retail therapy in downtown saginaw he said he wanted me to look for a sexy mini dress and get some lingerie as well to go with it

forced crossdressing stories by friends - Jun 11 2023

web aug 9 2022 then i told my mom about it the next day she went to school and discussed it with the class teacher since then they never forced me for crossdressing here is the second part of my forced crossdressing story

[me and my mom the story of my childhood and when i first](#) - May 10 2023

web they would often sit on top of they re desks crossing and uncrossing their nylon encased legs and i would rub myself under my desk until i had pre cum wetness on my own pantyhose by the end of class the next morning i went to my mom s bedroom as she was getting dressed and sat on her bed

crossdressing stories medium - Mar 28 2022

web nov 29 2022 my mum helped me get my first outfit i think my mother had enough of me using her clothes and shoes so this one day after i had come home from school she called me in to the living

caught crossdressing by mom youtube - Oct 15 2023

web nov 23 2020 share 292k views 2 years ago this is a rather deep topic yet a popular one that seems to draw interest i guess because stories vary of being caught dressed as a child

[came home son is dressed in sisters clothes r crossdressing reddit](#) - Sep 02 2022

web oct 17 2015 by confusedthrowayadad came home son is dressed in sisters clothes when i came in i saw what i thought was my 15 yr old daughter on the couch watching tv but was shocked or more if that s possible when she stood up and i immediately recognized that it was my 17 yr old son he was wearing his sisters dress and a stuffed

the inspirational story of a 65 year old crossdresser - Nov 04 2022

web apr 2 2023 at first william kept his crossdressing a secret sneaking into his mother s closet and trying on her dresses when no one was home but as he got older he became more confident he started wearing his mother s clothes out in public feeling a sense of excitement and empowerment every time he did

how i got caught by my neighbor r crossdressing reddit - Feb 07 2023

web jun 9 2022 1 yr ago senior sea9574 how i got caught by my neighbor hello i feel so humiliated i m 20 and live at my mom s it s 11am on a thursday i decide to go in the staircase with a nice vinyl skirt tight body high heels and pantyhose felt pretty and just wanted to go a little bit in public

ever been caught crossdressing how did it make you feel - May 30 2022

web jan 5 2009 not some much caught but caught out my stepmother found some knickers and a bra in my room under the pretext of spring cleaning then her and my father went completely insane over it i was accused of being gay and simply told to stop it

caught a true story aproned tg ladies flickr - Oct 03 2022

web may 2 2012 52 discussions share caught a true story flat reason deleted 10 04pm 2 may 2012 this is a true story of the first time i ever went outside dressed and wearing an apron i was about 16 or 17 at the time it was very scary i ve been caught a few times since but never outside

[transpulse transgender pulse forums](#) - Feb 24 2022

web posted april 3 2010 my goodness my mom cried when i got caught that was enough worse than any lecture i went deeeeeep underground after that i have read about mother s that go beyond supporting crossdressing by actually encouraging it this is the first post i can remember on that subject but i have been here less than a year and a half

jim s not just a girl for summer part 1 patreon - Aug 01 2022

web jun 26 2020 mom insisted that i change into my new clothes and picked out a dress for me to wear along with a slip panties bra and stockings i took my time getting changed needing mom s help to put on my padded bra mom remarked that the cup size seemed a little small but after stuffing them with stockings she seemed satisfied

share your getting caught story r crossdressing reddit - Jan 06 2023

web mar 12 2015 when i was in high school i would come home and dress in my mom s clothes several days a week she came home early and walked right in on me with a deer in the headlights look i said oh i was looking for a halloween costume

to my surprise she was like oh what fun let me help you so after dinner she and i spent several hours

ok i have a question for all did your mother ever catch you - Jul 12 2023

web jan 30 2019 yes mom mom caught me crossdressing she was upset and made me an appointment to see a doctor which obviously didn't help she knew i didn't stop cross dressing but as long as she didn't see it she didn't mind i

caught in the act my mom s unexpected response crossdressing - Aug 13 2023

web apr 20 2023 4k views 1 day ago new mother caught me surfing the victoria s secret web site and playing with myself she decided to teach me lesson and make sure i had plenty of opportunity to

caught in the act 1 1 bigcloset topshelf - Dec 05 2022

web caught in the act 1 by samantha p oh no there i was looking at the mirror and who should be there my sister dawn looking back at me with the classic goldfish look first let me explain my name is nicolas and i have been dressing in my moms and sisters clothes for the last seven years

caught crossdressing in my girlfriend s wife s clothes flickr - Jun 30 2022

web aug 2 2009 17 8k photos 202 discussions share caught rbm1964 5 28am 2 august 2009 when did you first get caught by your wife gf what were you doing or who and what were you wearing your own sissy clothes wives gf s or someone else's sandra giggles 14 years ago my girlfriend found some negatives of some photos i took

like mother like son 1 bigcloset topshelf - Sep 14 2023

web jan 9 2011 co written by victor g a special thanks to victor g who co wrote a mother's love at sapphire's site vic has a literary way of making a boy look as if he walked out of the pages of a fashion magazine he's a fantastic solo writer and i'm thrilled to have the opportunity to write this story with him now for a little info about the story darren

my sons progress since i caught him r crossdressing reddit - Mar 08 2023

web jun 1 2015 supermomsthrowaway my sons progress since i caught him so if yo remember from my last post reddit com r crossdressing comments 37irdb my son wants to be a girl maybe i recently caught my son since then we have made leaps and bounds in relation to

america for americans a history of xenophobia in the united - Aug 15 2023

web nov 26 2019 the united states is known as a nation of immigrants but it is also a nation of xenophobia in america for americans erika lee shows that an irrational fear hatred and hostility toward immigrants has been a defining feature of our nation from the colonial era to the trump era

pdf america for americans a history of xenophobia in the - Oct 05 2022

web aug 19 2021 america for americans a history of xenophobia in the united states by erika lee cc by 4 0 authors eva richter abstract discover the world's research available via license cc by 4 0 content may

[america for americans a history of xenophobia in the united](#) - Sep 04 2022

web apr 20 2020 the ideology perceives outsiders as a threat and drives a fear of others that sometimes provokes a military response in her book america for americans a history of xenophobia in the united states lee connects the experiences of many groups across time to show the longstanding tradition of american xenophobia

review america for americans a history of xenophobia in the - Jan 08 2023

web erika lee 2019 america for americans a history of xenophobia in the united states new york basic books n a meticulously researched historically detailed narrative erika lee author of america for americans delineates the racism and xenophobia that have met successive waves of foreigners seeking admission to this

[america for americans a history of xenophobia in the united](#) - Nov 06 2022

web nov 26 2019 america for americans a history of xenophobia in the united states user review publishers weekly as university of minnesota historian lee the making of asian america demonstrates in this

america for americans a history of xenophobia in the united - Mar 30 2022

web america for americans a history of xenophobia in the united states lee erika amazon com tr kitap

america for americans a history of xenophobia in the united - Apr 11 2023

web nov 26 2019 the united states is known as a nation of immigrants but it is also a nation of xenophobia in america for americans erika lee shows that an irrational fear hatred and hostility toward

[america for americans a history of xenophobia in the united states](#) - Dec 07 2022

web america for americans a history of xenophobia in the united states by erika lee 2019 not even pa pdf 802 9kb

mckinstry on lee america for americans a history of xenophobia in - Jan 28 2022

web erika lee america for americans a history of xenophobia in the united states new york basic books 2019 432 pp 32 00 cloth isbn 978 1 5416 7260 4 reviewed by aileen mckinstry pennsylvania state university published on h nationalism september 2020 commissioned by evan c rothera university of arkansas fort smith

america for americans a history of xenophobia in the united - Jul 14 2023

web reviewed work america for americans a history of xenophobia in the united states by erika lee review by eva richter the radical teacher no 120 teaching

[other a brief history of american xenophobia ted ed](#) - Jul 02 2022

web racism and xenophobia have been a part of our country since its beginning from native american genocide to slavery to immigration policies that target certain immigrant populations explore this timeline of the history of xenophobia and racism in the united states that elaborates on the events in the video

america for americans erika lee - Feb 09 2023

web a nation of immigrants america badly needs a history of xenophobia and in america for americans erika lee delivers by distinguishing nativism from xenophobia she shows how native americans and africans were transformed into foreigners and how that xenophobia fueled racist attacks against immigrants

a brief history of xenophobia in america stash magazine - Dec 27 2021

web jun 18 2020 the united states often touts itself as a nation of immigrants but this obscures the real story our country was built by enslaved africans and exploited immigrants on stolen indigenous land which left deep scars that we have yet to heal

america for americans a history of xenophobia in the united - Mar 10 2023

web aug 19 2021 richter e 2021 america for americans a history of xenophobia in the united states by erika lee radical teacher 120 102 104 doi org 10 5195 rt 2021 962 more citation formats a book review america for americans a history of xenophobia in the united states pdf most read articles by

erika lee america for americans a history of xenophobia in the - May 12 2023

web apr 21 2021 he placed that shockingly brief interlude between the proposal of the development relief and education for alien minors dream act on august 1 2001 and the attack on the twin towers from the tone of america for americans a history of xenophobia in the united states it appears erika lee essentially agrees with professor

xenophobia in the united states wikipedia - Aug 03 2022

web xenophobia in the united states is the fear or hatred of any cultural group in the united states which is perceived as being foreign or strange or un american it expresses a conflict between an ingroup and an outgroup and may manifest in suspicion by the one of the other s activities and beliefs and goals

the long history of xenophobia in america tufts now - Jun 13 2023

web sep 24 2020 we have already identified this era as the most restrictive immigration era in u s history has this very obvious xenophobia throughout u s history deterred immigrants absolutely it s deterred people and it has encouraged even forced people to

america for americans a history of xenophobia in the united states - Feb 26 2022

web jun 15 2021 a nation of immigrants america badly needs a history of xenophobia and in america for americans erika lee delivers by distinguishing nativism from xenophobia she shows how native americans and africans were transformed into foreigners and how that xenophobia fueled racist attacks against immigrants

america for americans a history of xenophobia in the united - Jun 01 2022

web from benjamin franklin calling german immigrants swarthy aliens to the anti chinese exclusion movement in 1876 san francisco to modern paranoia over mexican immigration and the browning of america xenophobia has been an ideological

force working hand in hand with american nationalism capitalism and racism

pdf epub america for americans a history of xenophobia in - Apr 30 2022

web sep 3 2022 the united states is known as a nation of immigrants but it is also a nation of xenophobia in america for americans erika lee shows that an irrational fear hatred and hostility toward immigrants has been a defining feature of our nation from the colonial era to the trump era