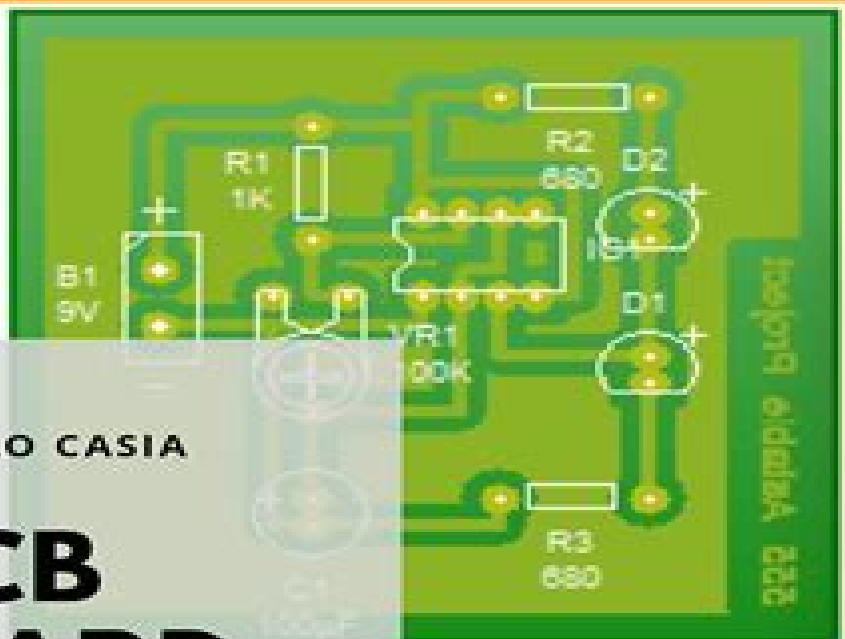
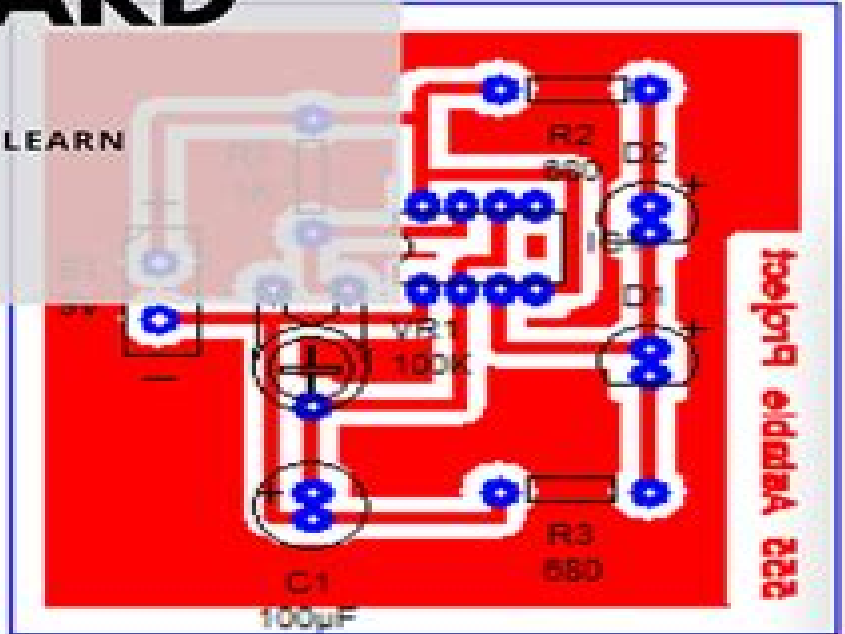
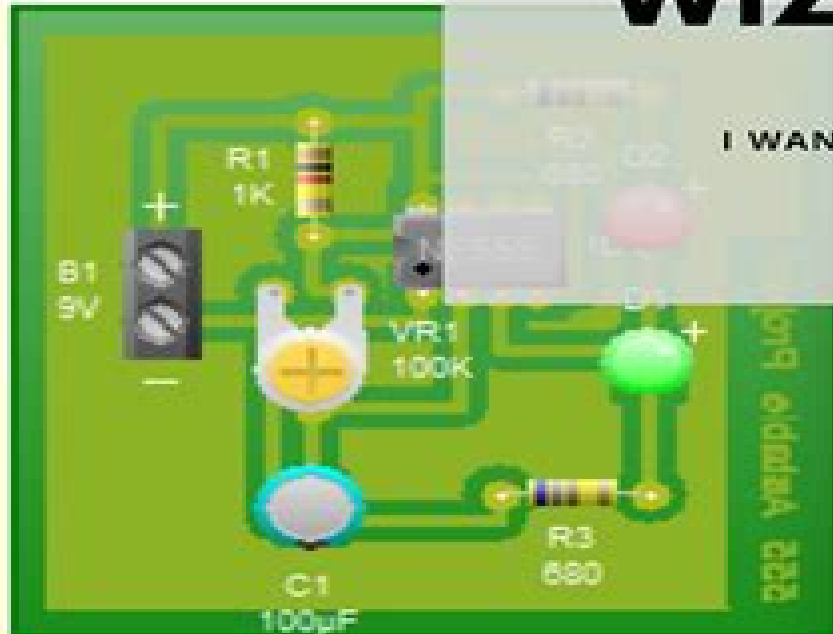


BY DANILLO CASIA

# PCB WIZARD



I WANT LEARN



# Pcb Wizard Tutorial 1

**DP Hallahan**



## **Pcb Wizard Tutorial 1:**

**Complete PCB Design Using OrCad Capture and Layout** Kraig Mitzner, 2011-04-01 Complete PCB Design Using OrCad Capture and Layout provides instruction on how to use the OrCAD design suite to design and manufacture printed circuit boards The book is written for both students and practicing engineers who need a quick tutorial on how to use the software and who need in depth knowledge of the capabilities and limitations of the software package There are two goals the book aims to reach The primary goal is to show the reader how to design a PCB using OrCAD Capture and OrCAD Layout Capture is used to build the schematic diagram of the circuit and Layout is used to design the circuit board so that it can be manufactured The secondary goal is to show the reader how to add PSpice simulation capabilities to the design and how to develop custom schematic parts footprints and PSpice models Often times separate designs are produced for documentation simulation and board fabrication This book shows how to perform all three functions from the same schematic design This approach saves time and money and ensures continuity between the design and the manufactured product Information is presented in the exact order a circuit and PCB are designed Straightforward realistic examples present the how and why the designs work providing a comprehensive toolset for understanding the OrCAD software Introduction to the IPC JEDEC and IEEE standards relating to PCB design Full color interior and extensive illustrations allow readers to learn features of the product in the most realistic manner possible Complete PCB Design Using OrCAD Capture and PCB Editor Kraig

Mitzner, 2009-05-28 This book provides instruction on how to use the OrCAD design suite to design and manufacture printed circuit boards The primary goal is to show the reader how to design a PCB using OrCAD Capture and OrCAD Editor Capture is used to build the schematic diagram of the circuit and Editor is used to design the circuit board so that it can be manufactured The book is written for both students and practicing engineers who need in depth instruction on how to use the software and who need background knowledge of the PCB design process Beginning to end coverage of the printed circuit board design process Information is presented in the exact order a circuit and PCB are designed Over 400 full color illustrations including extensive use of screen shots from the software allow readers to learn features of the product in the most realistic manner possible Straightforward realistic examples present the how and why the designs work providing a comprehensive toolset for understanding the OrCAD software Introduces and follows IEEE IPC and JEDEC industry standards for PCB design Unique chapter on Design for Manufacture covers padstack and footprint design and component placement for the design of manufacturable PCB s FREE CD containing the OrCAD demo version and design files

*Thermal Analysis with SolidWorks Simulation 2014* Paul Kurowski, 2014 Thermal Analysis with SolidWorks Simulation 2014 goes beyond the standard software manual It concurrently introduces the reader to thermal analysis and its implementation in SolidWorks Simulation using hands on exercises A number of projects are presented to illustrate thermal analysis and related topics Each chapter is designed to build on the skills and understanding gained from previous exercises

Thermal Analysis with SolidWorks Simulation 2014 is designed for users who are already familiar with the basics of Finite Element Analysis FEA using SolidWorks Simulation or who have completed the book Engineering Analysis with SolidWorks Simulation 2014 Thermal Analysis with SolidWorks Simulation 2014 builds on these topics in the area of thermal analysis Some understanding of FEA and SolidWorks Simulation is assumed **Desarrollo y Construcción de Prototipos**

**Electrónicos** Ángel Bueno Martín, Ana I. de Soto Gorroño, 2005-09-15 Este manual es una guía que proporciona instrucciones completas y detalladas para el uso de los programas OrCAD Capture Layout plus y LPKF CircuitCAM BoardMaster de diseño y construcción de prototipos electrónicos respectivamente Pretendemos familiarizar al lector con el entorno de trabajo CAD CAM electrónico a través del software propuesto Junto a las indicaciones que ayudan a adquirir la destreza en el manejo de las herramientas informáticas orientadas al diseño electrónico en este libro se dan una serie de consejos y observaciones de interés que facilitan el trabajo y aclaran las dudas que con frecuencia le surgen al principiante haciendo hincapié en la correcta obtención y presentación de resultados informes planos fotolitos etc Respecto a la metodología cabe destacar su carácter de tutorial es decir se propone un ejemplo que servirá de hilo conductor para ir completando las fases que conforman la base de datos del diseño Cada tema está desarrollado gradualmente explicando los comandos e instrucciones allí donde aparecen por vez primera Se acompañan numerosas ventanas pantallas aclaratorias aportaciones prácticas y explicaciones adicionales en aras de facilitar la comprensión de lo expuesto Se trata en definitiva de un método que ayuda en la realización de un trabajo organizado y eficaz que facilita la labor del profesor y el aprendizaje del alumno MATERIALES ADICIONALES EN APARTADO DE DESCARGAS DEL WEB MARCOMBO.COM *PC Mag*, 1993-06-29 PCMag.com is a leading authority on technology delivering Labs based independent reviews of the latest products and services Our expert industry analysis and practical solutions help you make better buying decisions and get more from technology

**Byte**, 1984 *Microtimes*, 1993-04 **Macworld**, 1989 **Sound & Vibration**, 2000 [PC/Computing](#), 1993-07

**SolidWorks práctico II - 2.a edición** Sergio Gómez González, 2024-06-19 Si es un estudiante o un diseñador novel que desea adentrarse en el diseño y validación de productos mecánicos con SolidWorks con el objetivo de crear máquinas mecanismos productos o modelos para impresión 3D ha llegado al libro indicado SolidWorks práctico II es una compilación de prácticas guiadas y ejercicios de examen diseñados por el autor para sus clases universitarias en la Universidad Politécnica de Cataluña EEBE UPC Estas prácticas abarcan una amplia gama de complementos como Routing Motion Simulation FlowSimulation Photoview SolidCAM DMFXpress entre otros El contenido del libro se caracteriza por su enfoque visual y práctico lo que facilita la lectura con abundantes ilustraciones que detallan las etapas necesarias para utilizar los complementos de SolidWorks en el diseño y validación de productos más eficientes seguros y económicos Además en el libro encontrar el código de acceso que le permitirá descargar de forma gratuita los contenidos adicionales desde [www.marcombo.info](http://www.marcombo.info) que incluyen los modelos descritos a lo largo de la obra Esta segunda edición también cuenta con el acceso gratuito al Curso de

SolidWorks Simulation Flow Simulation y otros complementos Dicho curso est valorado en 35 y se compone de 54 videos con una duraci n total de 8 horas para que profundice en el entorno las aplicaciones y las funcionalidades de Solidworks el dise o de chapa met lica el dise o de moldes para inyecci n de pl sticos las simulaciones de inyecci n de pl sticos SolidWorks Plastics el dise o de estructura met lica y soldadura biblioteca de dise o y Toolbox PhotoViewer 360 imagen sint tica FeatureWorks SolidWorks Costing sostenibilidad FDMXpress entre otros Al finalizar el curso podr realizar un proyecto para conseguir la certificaci n de realizaci n del curso H gase con este libro y saque provecho de SolidWorks el software CAD CAM CAE que le permitir adem s de modelar piezas ensamblar conjuntos y crear planos validar sus dise os para realizar productos m s seguros y eficientes **PC Magazine** ,1993-06 *Applied Science & Technology Index* ,1997 **InfoWorld** ,1986

**PCB Design & Layout For DIY Etching** A B Lawal,2021-03-14 In this tutorial you will learn step by step how to use Ultiboard to route and make a single layer Printed Circuit Board layout that you can print out on paper Finally you will learn with demo videos a very inexpensive DIY method for transferring your layout to a Copper Clad board that you can etch and solder manually No heat transfer is involved After reading and completing the simple demo projects in this book you will learn many features of Ultiboard very fast and very effectively without getting overwhelmed You will not need to export any files or send gerbers to a PCB manufacturer fabricator We will be using the National Instruments Ultiboard and Multism PCB Design suite which I found to be the best among several others I have used Any of the versions 12 13 and 14 of this suite works perfectly well There is a link in this book for you to download a hassle free trial version of the suite that you can use for many days to learn and practice many projects of your own Merely having the Ultiboard user manual or referring to its help contents is far from sufficient in becoming a skillful PCB designer Therefore this book is extremely useful for building PCB design skills very fast First it will give you a big head start if you have never designed a PCB layout before Then it will teach you more advanced techniques you need to learn design and build anything from simple to complex PCB layouts using mostly Ultiboard Finally if you have questions or need further help I urge you to use the support link I provided in the last Chapter of this book I will get back to you very quickly *Complete PCB Design Using OrCAD Capture and PCB Editor* Kraig Mitzner,Bob Doe,Alexander Akulin,Anton Suponin,Dirk Müller,2019-06-20 Complete PCB Design Using OrCAD Capture and PCB Editor Second Edition provides practical instruction on how to use the OrCAD design suite to design and manufacture printed circuit boards Chapters cover how to Design a PCB using OrCAD Capture and OrCAD PCB Editor adding PSpice simulation capabilities to a design how to develop custom schematic parts how to create footprints and PSpice models and how to perform documentation simulation and board fabrication from the same schematic design This book is suitable for both beginners and experienced designers providing basic principles and the program s full capabilities for optimizing designs Companion sitehttps www elsevier com books and journals book companion 9780128176849 Presents a fully updated edition on OrCAD Capture Version 17 2 Combines the theoretical and practical parts of PCB design Includes

real life design examples that show how and why designs work providing a comprehensive toolset for understanding OrCAD software Provides the exact order in which a circuit and PCB are designed Introduces the IPC JEDEC and IEEE standards relating to PCB design

**Printed Circuit Boards** R. S. Khandpur, 2005-09-07 The printed circuit is the basic building block of the electronics hardware industry This is a comprehensive single volume self teaching guide to the art of printed circuit board design and fabrication covering the complete cycle of PCB creation design layout fabrication assembly and testing

Thank you very much for downloading **Pcb Wizard Tutorial 1**. Maybe you have knowledge that, people have look numerous times for their favorite books like this Pcb Wizard Tutorial 1, but end up in harmful downloads.

Rather than reading a good book with a cup of tea in the afternoon, instead they are facing with some harmful virus inside their desktop computer.

Pcb Wizard Tutorial 1 is available in our digital library an online access to it is set as public so you can get it instantly. Our book servers spans in multiple countries, allowing you to get the most less latency time to download any of our books like this one.

Kindly say, the Pcb Wizard Tutorial 1 is universally compatible with any devices to read

[https://py.bijouxmedusa.com/public/book-search/index.jsp/Creators\\_12\\_460\\_Freelancing\\_Online\\_Apps\\_For\\_Startups\\_12\\_1301\\_Freelancing.pdf](https://py.bijouxmedusa.com/public/book-search/index.jsp/Creators_12_460_Freelancing_Online_Apps_For_Startups_12_1301_Freelancing.pdf)

## **Table of Contents Pcb Wizard Tutorial 1**

1. Understanding the eBook Pcb Wizard Tutorial 1
  - The Rise of Digital Reading Pcb Wizard Tutorial 1
  - Advantages of eBooks Over Traditional Books
2. Identifying Pcb Wizard Tutorial 1
  - Exploring Different Genres
  - Considering Fiction vs. Non-Fiction
  - Determining Your Reading Goals
3. Choosing the Right eBook Platform
  - Popular eBook Platforms
  - Features to Look for in an Pcb Wizard Tutorial 1
  - User-Friendly Interface
4. Exploring eBook Recommendations from Pcb Wizard Tutorial 1
  - Personalized Recommendations

- Pcb Wizard Tutorial 1 User Reviews and Ratings
- Pcb Wizard Tutorial 1 and Bestseller Lists
- 5. Accessing Pcb Wizard Tutorial 1 Free and Paid eBooks
  - Pcb Wizard Tutorial 1 Public Domain eBooks
  - Pcb Wizard Tutorial 1 eBook Subscription Services
  - Pcb Wizard Tutorial 1 Budget-Friendly Options
- 6. Navigating Pcb Wizard Tutorial 1 eBook Formats
  - ePub, PDF, MOBI, and More
  - Pcb Wizard Tutorial 1 Compatibility with Devices
  - Pcb Wizard Tutorial 1 Enhanced eBook Features
- 7. Enhancing Your Reading Experience
  - Adjustable Fonts and Text Sizes of Pcb Wizard Tutorial 1
  - Highlighting and Note-Taking Pcb Wizard Tutorial 1
  - Interactive Elements Pcb Wizard Tutorial 1
- 8. Staying Engaged with Pcb Wizard Tutorial 1
  - Joining Online Reading Communities
  - Participating in Virtual Book Clubs
  - Following Authors and Publishers Pcb Wizard Tutorial 1
- 9. Balancing eBooks and Physical Books Pcb Wizard Tutorial 1
  - Benefits of a Digital Library
  - Creating a Diverse Reading Collection Pcb Wizard Tutorial 1
- 10. Overcoming Reading Challenges
  - Dealing with Digital Eye Strain
  - Minimizing Distractions
  - Managing Screen Time
- 11. Cultivating a Reading Routine Pcb Wizard Tutorial 1
  - Setting Reading Goals Pcb Wizard Tutorial 1
  - Carving Out Dedicated Reading Time
- 12. Sourcing Reliable Information of Pcb Wizard Tutorial 1
  - Fact-Checking eBook Content of Pcb Wizard Tutorial 1

- Distinguishing Credible Sources
13. Promoting Lifelong Learning
- Utilizing eBooks for Skill Development
  - Exploring Educational eBooks
14. Embracing eBook Trends
- Integration of Multimedia Elements
  - Interactive and Gamified eBooks

### **Pcb Wizard Tutorial 1 Introduction**

In today's digital age, the availability of Pcb Wizard Tutorial 1 books and manuals for download has revolutionized the way we access information. Gone are the days of physically flipping through pages and carrying heavy textbooks or manuals. With just a few clicks, we can now access a wealth of knowledge from the comfort of our own homes or on the go. This article will explore the advantages of Pcb Wizard Tutorial 1 books and manuals for download, along with some popular platforms that offer these resources. One of the significant advantages of Pcb Wizard Tutorial 1 books and manuals for download is the cost-saving aspect. Traditional books and manuals can be costly, especially if you need to purchase several of them for educational or professional purposes. By accessing Pcb Wizard Tutorial 1 versions, you eliminate the need to spend money on physical copies. This not only saves you money but also reduces the environmental impact associated with book production and transportation. Furthermore, Pcb Wizard Tutorial 1 books and manuals for download are incredibly convenient. With just a computer or smartphone and an internet connection, you can access a vast library of resources on any subject imaginable. Whether you're a student looking for textbooks, a professional seeking industry-specific manuals, or someone interested in self-improvement, these digital resources provide an efficient and accessible means of acquiring knowledge. Moreover, PDF books and manuals offer a range of benefits compared to other digital formats. PDF files are designed to retain their formatting regardless of the device used to open them. This ensures that the content appears exactly as intended by the author, with no loss of formatting or missing graphics. Additionally, PDF files can be easily annotated, bookmarked, and searched for specific terms, making them highly practical for studying or referencing. When it comes to accessing Pcb Wizard Tutorial 1 books and manuals, several platforms offer an extensive collection of resources. One such platform is Project Gutenberg, a nonprofit organization that provides over 60,000 free eBooks. These books are primarily in the public domain, meaning they can be freely distributed and downloaded. Project Gutenberg offers a wide range of classic literature, making it an excellent resource for literature enthusiasts. Another popular platform for Pcb Wizard Tutorial 1 books and manuals is Open Library. Open Library is an initiative of the Internet Archive, a non-profit organization dedicated to

digitizing cultural artifacts and making them accessible to the public. Open Library hosts millions of books, including both public domain works and contemporary titles. It also allows users to borrow digital copies of certain books for a limited period, similar to a library lending system. Additionally, many universities and educational institutions have their own digital libraries that provide free access to PDF books and manuals. These libraries often offer academic texts, research papers, and technical manuals, making them invaluable resources for students and researchers. Some notable examples include MIT OpenCourseWare, which offers free access to course materials from the Massachusetts Institute of Technology, and the Digital Public Library of America, which provides a vast collection of digitized books and historical documents. In conclusion, Pcb Wizard Tutorial 1 books and manuals for download have transformed the way we access information. They provide a cost-effective and convenient means of acquiring knowledge, offering the ability to access a vast library of resources at our fingertips. With platforms like Project Gutenberg, Open Library, and various digital libraries offered by educational institutions, we have access to an ever-expanding collection of books and manuals. Whether for educational, professional, or personal purposes, these digital resources serve as valuable tools for continuous learning and self-improvement. So why not take advantage of the vast world of Pcb Wizard Tutorial 1 books and manuals for download and embark on your journey of knowledge?

## FAQs About Pcb Wizard Tutorial 1 Books

**What is a Pcb Wizard Tutorial 1 PDF?** A PDF (Portable Document Format) is a file format developed by Adobe that preserves the layout and formatting of a document, regardless of the software, hardware, or operating system used to view or print it. **How do I create a Pcb Wizard Tutorial 1 PDF?** There are several ways to create a PDF: Use software like Adobe Acrobat, Microsoft Word, or Google Docs, which often have built-in PDF creation tools. Print to PDF: Many applications and operating systems have a "Print to PDF" option that allows you to save a document as a PDF file instead of printing it on paper. Online converters: There are various online tools that can convert different file types to PDF. **How do I edit a Pcb Wizard Tutorial 1 PDF?** Editing a PDF can be done with software like Adobe Acrobat, which allows direct editing of text, images, and other elements within the PDF. Some free tools, like PDFescape or Smallpdf, also offer basic editing capabilities. **How do I convert a Pcb Wizard Tutorial 1 PDF to another file format?** There are multiple ways to convert a PDF to another format: Use online converters like Smallpdf, Zamzar, or Adobe Acrobats export feature to convert PDFs to formats like Word, Excel, JPEG, etc. Software like Adobe Acrobat, Microsoft Word, or other PDF editors may have options to export or save PDFs in different formats. **How do I password-protect a Pcb Wizard Tutorial 1 PDF?** Most PDF editing software allows you to add password protection. In Adobe Acrobat, for instance, you can go to "File" -> "Properties"

-> "Security" to set a password to restrict access or editing capabilities. Are there any free alternatives to Adobe Acrobat for working with PDFs? Yes, there are many free alternatives for working with PDFs, such as: LibreOffice: Offers PDF editing features. PDFsam: Allows splitting, merging, and editing PDFs. Foxit Reader: Provides basic PDF viewing and editing capabilities. How do I compress a PDF file? You can use online tools like Smallpdf, ILovePDF, or desktop software like Adobe Acrobat to compress PDF files without significant quality loss. Compression reduces the file size, making it easier to share and download. Can I fill out forms in a PDF file? Yes, most PDF viewers/editors like Adobe Acrobat, Preview (on Mac), or various online tools allow you to fill out forms in PDF files by selecting text fields and entering information. Are there any restrictions when working with PDFs? Some PDFs might have restrictions set by their creator, such as password protection, editing restrictions, or print restrictions. Breaking these restrictions might require specific software or tools, which may or may not be legal depending on the circumstances and local laws.

### **Find Pcb Wizard Tutorial 1 :**

[creators 12-460](#) [freelancing online apps for startups 12-1301](#) [freelancing 12-1529](#) [freelancing online step by step for creators 12-1169](#) [freelancing finance blueprint for small business 12-1352](#) [personal finance blueprint step by step America 12-2988](#) [parenting tips step by step United States examples America 12-2224](#) [data science careers examples for creators travel step by step for small business 12-1792](#) [luxury travel strategies luxury travel tools USA 12-472](#) [luxury travel tools for entrepreneurs computing comparison USA 12-2607](#) [cloud computing comparison USA 12-826](#) [beginners for creators 12-2546](#) [dropshipping business for beginners for strategy for beginners for small business 12-1577](#) [SEO strategy for marketplace roadmap for entrepreneurs 12-1658](#) [NFT marketplace step by beginners for entrepreneurs 12-1346](#) [resume writing for beginners for 12-525](#) [interview tips apps USA 12-2545](#) [interview tips apps United States 12-1197](#) [data science careers comparison USA 12-2033](#) [data science careers entrepreneurs 12-1155](#) [wearable technology trends United States 12-747](#)

---

**Pcb Wizard Tutorial 1 :**

[how to wakeboard beginner wakeboarding tips evo](#) - Jul 12 2023

web learning to wakeboard is incredibly fun and rewarding plus once you have the hang of the basics you ve unlocked a whole new world of possibilities on the water and the progression comes fast so without further ado let s hop into some wakeboarding basics and help teach you how to wakeboard

**how to wakeboard monster tower blog** - Jan 06 2023

web sep 5 2019 wakeboarding for beginners learning to wakeboard starts with getting up on the wakeboard one of the first steps is figuring out which foot goes in front the front foot is going to be the non dominant foot determine which foot this is by thinking of which foot you naturally put ahead on any other board sport

*how to wakeboard complete beginner s guide to get you started* - Dec 05 2022

web mar 30 2023 guides watersports how to wakeboard complete beginner s guide to get you started you just got that new boat and you re keen to start wakeboarding the thought of carving huge lines and doing air 260s over the wake is exciting and it s time to make that dream a reality by adrienne taylor march 30 2023 13 mins read how to

**how to wakeboard beginner s guide to wakeboarding** - Sep 14 2023

web unlike most other watersports wakeboarding has a satisfyingly steep learning curve and depending on your confidence and previous board experience you can be popping ollies and carving up a watery storm even on your first go

**learn the basics of wakeboarding and enjoy a new sport** - Apr 09 2023

web updated on 06 04 19 wakeboarding is the younger and now more popular brother of water skiing says sam haddad on the website cooler lifestyles com to ride a wakeboard you strap yourself onto a special board securing your boots also known as bindings onto the board

**how to wakeboard a guide for beginners wakesports unlimited** - May 10 2023

web sep 24 2021 choosing a well sized wakeboard is your first step to improving the skills needed for stability control and balance on the water when picking a wakeboard you should consider your height weight and wakeboarding skill level wakeboard sizing can make or break your wakeboarding experience

**8 best beginners wakeboarding tricks mpora** - Sep 02 2022

web sep 1 2016 you want to get some beginners wakeboarding tricks under your belt right unlike watersports such as surfing or kitesurfing wakeboarding has a relatively steep learning curve this means you ll go from total beginner to riding behind the boat and doing a tail grab in no time at all what is wakeboarding everything you need to know

*what is wakeboarding a beginner s introduction* - Oct 03 2022

web sep 1 2023 but not without its quirks just like you wouldn t attempt a bike stunt without knowing how to pedal don t

get all jumpy on the wakeboard just yet learn to ride the wake feel the rhythm of the waves and get acquainted with the board it s like a dance and you re learning the basic steps before the flashy moves got your

**beginner guide to wakeboarding etramping** - Jun 30 2022

web jul 8 2022 as you spend more time wakeboarding you will learn how to tackle advanced tricks with ease and experience in your wakeboarding journey this guide is a good starting point to get you started in your water sports adventure

**how to wakeboard as a beginner with pictures wiihow** - Oct 15 2023

web jul 29 2022 wakeboarding is a fun exhilarating water sport that doesn t take long to learn that s good news if you re a beginner it means you can get up on your board and start gliding across the wake in no time

wake sg all things wake - Mar 28 2022

web your source for all information related to wakeboarding wakeskating wake surfing wake foiling

**learnwake youtube** - Nov 04 2022

web welcome to the 1 channel for wakeboard instruction on youtube dive deep into the hundreds of videos we have on everything from how to set up your boat to dialing in that blind landing position

wakeboard singapore - Aug 01 2022

web our students include riders of all ages and abilities some are national world champions contact details e mail info wakeboardsingapore com tel 65 6 344 8813 fax 65 6 245 6995 leading waterski and wakeboard school in singapore

beginner s wakeboarding a guide to wakeboardi mpora - Jun 11 2023

web mar 22 2016 if you want to learn wakeboarding or find out if its right for you before you rent out all the equipment and a board you can watch some of the great wakeboarding videos available online we bet that you ll be hooked from your first tow however so here are the basic tips techniques and essentials that everyone having a go at

**how to learn to wakeboard beginner s guide** - Aug 13 2023

web aug 27 2023 imagine diving headfirst into the world of wakeboarding only to realize you ve strapped yourself to a plank better suited for a squirrel not exactly the grand introduction you had in mind huh here s the tea picking the right wakeboard especially when you re just starting out can be the difference between gliding on water and

how to wakeboard a basic beginner guide tips aquaticglee - May 30 2022

web oct 7 2020 is wakeboarding hard to learn wakeboarding is relatively easy to learn compared to other watersports depending on your prior experience and confidence you can be carving and popping ollies on your first try how dangerous is wakeboarding like most sports wakeboarding has some risks but that doesn t mean it is life threatening

**wakeboarding for beginners a guide partsvu xchange** - Feb 24 2022

web mar 2 2023 wakeboarding might not be the easiest sport to start but it s a rewarding experience for those who stick

with it to overcome the learning curve just remember to get the right gear for your weight and experience level take your time and be safe

*wakeboarding videos tips gear mpora* - Apr 28 2022

web wakeboarding the best wakeboarding videos tricks tips locations and inspirational features focused on the world s best wakeboarders check out our beginner s wakeboarding guide when you ve nailed that you can wakeboard behind a ferrari or behind a horse plus don t miss this hilarious wakeboarding fail

*how to wakeboard a comprehensive beginner s guide* - Mar 08 2023

web august 30 2023 alright fellow water adventure seekers imagine skimming water s surface with the sun on your face and adrenaline pumping through your veins if that sounds even remotely fun then buckle up because we re diving into the thrilling world of wakeboarding

[a beginner s guide to wakeboarding ocean buddy](#) - Feb 07 2023

web oct 6 2021 wakeboarding is basically the same thing as wake surfing but with a board instead of a surfboard and a cable system instead of waves you don t need any experience before you start wakeboarding in fact it s so easy that beginners can learn how to wakeboard within an hour or two 2 the different types of boards

**la maison de pays fontaine rené amazon fr livres** - Aug 21 2023

web vous qui possédez déjà ou qui venez d acquérir une maison de pays et qui avez décidé soit seul soit avec l aide d un entrepreneur de la restaurer de la retaper de l adapter aux besoins du confort moderne sans la défigurer et sans toucher à son environnement cet ouvrage s adresse à vous

*visite de la maison de pays monts du lyonnais* - Jan 14 2023

web visite de la maison de pays découvrez l histoire de la maison de pays construite au xvie siècle elle se compose de 4 étages a chaque étage une curiosité à découvrir des expositions d art d artisanat et liées au patrimoine local sont proposées de mars à

*la maison carpentry best singapore carpenter company sg* - Feb 15 2023

web la maison carpentry is the leading singapore carpentry company that offers quality carpentry services and a one stop shop for renovating your home interior decoration facebook twitter instagram pinterest whatsapp whatsapp 65 9663 6305 info lamaisoncarpentry com

**la maison de pays rené fontaine seghers lisez** - Jul 20 2023

web vous qui possédez déjà ou qui venez d acquérir une maison de pays et qui avez décidé soit seul soit avec l aide d un entrepreneur de la restaurer de la retaper de l adapter aux besoins du confort moderne sans la défigurer et sans toucher à son environnement cet ouvrage s adresse à vous

*loudun on connaît le nom du futur exploitant du restaurant de la - Sep 10 2022*

web sep 28 2023 le restaurant de la maison de pays du loudunais à chalais rouvre le 6 novembre 2023 sous le nom auberge de la briande le loudunais raphaël pineau en sera le gérant son

**william sanasee le présumé meurtrier de donovan clovis est rentré au pays - Apr 05 2022**

web 1 day ago william sanasee est finalement rentré au pays accompagné des enquêteurs de la major crime investigation son ami donovan clovis en 2022 et d avoir enterré son corps tout près de sa maison

*frayeur aux pays bas un des serpents les plus venimeux au - Aug 09 2022*

web 1 day ago un serpent s est échappé de la maison de son propriétaire dans le sud des pays bas mardi 21 novembre 2023 les autorités appellent la population à la plus grande prudence

la maison de pays du loudunais l extraordinaire - Jun 19 2023

web adresse aire de repos de briande 86200 chalais situer sur la carte contact maison de pays téléphone 05 49 98 84 10 email maisondepaysduloudunais gmail com site internet lextraordinaire fr la maison de pays du loudunais voir le site internet cfp gastronomie terre y fruits loudun

**la maison de pays communauté de communes des monts du - Jun 07 2022**

web mise en place par l intercommunalité la maison de pays à saint martin en haut comporte l office de tourisme et des salles d exposition celles ci sont animées par l association arpamoly art et patrimoine des monts du lyonnais qui vise à promouvoir toutes les formes d art et d artisanat ainsi que le patrimoine local

**la maison du néerlandais à bruxelles fête ses 20 ans - Oct 11 2022**

web 1 day ago pour ce 20e anniversaire les visiteurs peuvent visiter le siège la maison du néerlandais rue philippe de champagne à bruxelles où ils pourront accéder aux coulisses de l enseignement une

maison du pays de lessay lessay facebook - Apr 17 2023

web maison du pays de lessay lessay 1 320 likes 5 talking about this 6 were here la maison du pays a pour missions principales d assurer une veille

**en vendée cette maison sert à se ressourcer l hebdo de actu - Jul 08 2022**

web 1 day ago maison papillon centre de thérapie bien être groupement de thérapeutes 7 rue de la pénissière contact 06 58 51 94 24 renseignements sur maison papillon org page facebook et

**la maison du pays commune de lessay - Mar 16 2023**

web l association maison du pays de lessay a été créée en 1994 elle intervient essentiellement dans le secteur social l insertion l animation et la vie associative tél 02 33 46 84 69 mail msap maisondupaysdelessay fr site maison du pays

**maisons de pays constructeur maison rhône alpes - Oct 23 2023**

web nous vous accompagnons dans toutes les étapes de votre projet de maison individuelle afin de rendre cette expérience simple et agréable nous avons pour habitude d inclure une multitude de prestataires externe et experts au projet

**index 2023 maison pays com** - May 06 2022

web t rouver la maison de pays place jacques truphémus 69440 mornant tel 04 87 77 19 39 samedi dimanches jours fériés 14h30 18h30 informations planning des expos depuis 1998 hommage à jacques truphémus le film des 30 ans nos partenaires amis du vieux mornant mairie de mornant

**la maison de pays prononciation in french howtopronounce com** - Sep 22 2023

web nov 17 2023 how to say la maison de pays in french pronounciation of la maison de pays with 1 audio pronounciation 15 translations and more for la maison de pays

*panasonic s associe à nouveau aux minto communities pour améliorer la* - Mar 04 2022

web nov 1 2023 la maison de rêve minto est actuellement ouverte au public jusqu au 15 décembre des visites virtuelles de la maison sont également offertes et des billets de loterie peuvent être achetés sur le site de la loterie rêve d une vie du cheo dreamofalifetime ca

**constructeur maisons de pays forumconstruire com** - Dec 13 2022

web constructeur maisons de pays avis messages et récits de construction des membres sur ce constructeur dans le rhone maisons de pays est un constructeur dont le siège social est situé à limonest dans le rhone maisons de pays regroupe environ 2 agences en france voir toutes les agences

**la maison de pays saint martin en haut** - Nov 12 2022

web la maison de pays des monts du lyonnais à saint martin en haut a vu le jour en 2003 elle est abritée avec l office de tourisme dans des locaux mis à disposition par la communauté de communes des monts du lyonnais

**maison wikipédia** - May 18 2023

web terminologie les divers mondes paysans nomment après le xive siècle maisons les espaces d habitation concrets lesquels nécessitent de multiples activités d entretiens constants de ré aménagements et réfections de nettoyages réguliers et parfois une re construction globale

*exploring public relations and management* - Mar 09 2023

web tench r and yeomans l 2017 exploring public relations 4th edn pearson available at perlego com book 811487 exploring public relations global

exploring public relations global strategic - Feb 25 2022

web a comprehensive text exploring public relations not only covers traditional academic pr theory but also explores contemporary ideas divided into four key areas the book

*exploring public relations and management communication* - May 11 2023

web exploring public relations ralph tench liz yeomans google books exploring public relations is the definitive academic text on public relations now in its third

**exploring public relations and management** - Jul 01 2022

web exploring public relations is the definitive academic text on public relations now into its third edition it continues to offer a critical analysis of the field with a sophisticated blend

*exploring public relations and management communication* - Aug 02 2022

web feb 16 2006 exploring public relations ralph tench liz yeomans ralph tench liz yeomans exploring public relations is an up to date and modern textbook combining

*exploring public relations silo pub* - Mar 29 2022

web sep 13 2023 yuan wang ph d the university of alabama is an assistant professor in the department of media and communication at city university of hong kong his

*exploring public relations global strategic communication* - Nov 05 2022

web exploring public relations and management communication 5th edition by tench and waddington is the definitive text on public relations blending theory with real life

**military s public relations practice in the social media era** - Oct 24 2021

*exploring public relations ralph tench liz yeomans google* - Apr 10 2023

web exploring public relations and management communication ralph tench stephen waddington no preview available 2020 bibliographic information title exploring public

**exploring public relations ralph tench liz yeomans google** - Sep 22 2021

**exploring public relations paperback 18 jun 2009** - Jan 07 2023

web apr 20 2017 exploring public relations global strategic communication is the definitive academic text on public relations now into its fourth edition it continues to

**pdf exploring public relations by ralph tench perlego** - Dec 06 2022

web exploring public relations was originally conceived in 2005 as a collaboration between ralph tench and liz yeomans at leeds beckett university through four editions the

**exploring public relations global strategic communication** - Oct 04 2022

web exploring public relations exploring public relations ralph tench liz yeomans 1 second edition exploring public relations is

the definitive academic text on public  
[exploring public relations request pdf researchgate](#) - Dec 26 2021

**loading interface goodreads** - Nov 24 2021

[exploring public relations gbv](#) - Apr 29 2022

web discover and share books you love on goodreads

*exploring public relations paperback 28 nov 2013* - Jan 27 2022

web apr 19 2017 exploring public relations ralph tench liz yeomans pearson higher ed apr 19 2017 business economics 612 pages this text is the definitive

**exploring public relations 2nd edition pdf free download** - May 31 2022

web jan 1 2006 request pdf on jan 1 2006 r tench and others published exploring public relations find read and cite all the research you need on researchgate

**exploring public relations ralph tench liz yeomans google** - Aug 14 2023

web ralph tench liz yeomans ft prentice hall 2009 public relations 666 pages exploring public relations is the definitive academic text on public relations this

[exploring public relations and management communication](#) - Feb 08 2023

web exploring public relations global strategic communication ralph tench liz yeomans pearson 2017 public relations 613 pages 0 reviews reviews aren't verified but

**exploring public relations global strategic communication** - Aug 22 2021

[exploring pr and management communication](#) - Sep 03 2022

web exploring public relations second edition ralph tench professor leeds metropolitan university lizyeomans subject group leader public relations and communications

**exploring public relations tench ralph yeomans** - Jun 12 2023

web exploring public relations and management communication 5th edition published by pearson higher education february 12 2021 2021 ralph tench leeds beckett

**exploring public relations ralph tench liz yeomans** - Jul 13 2023

web a comprehensive text exploring public relations not only covers traditional academic pr theory but also explores contemporary ideas divided into four key areas the book

