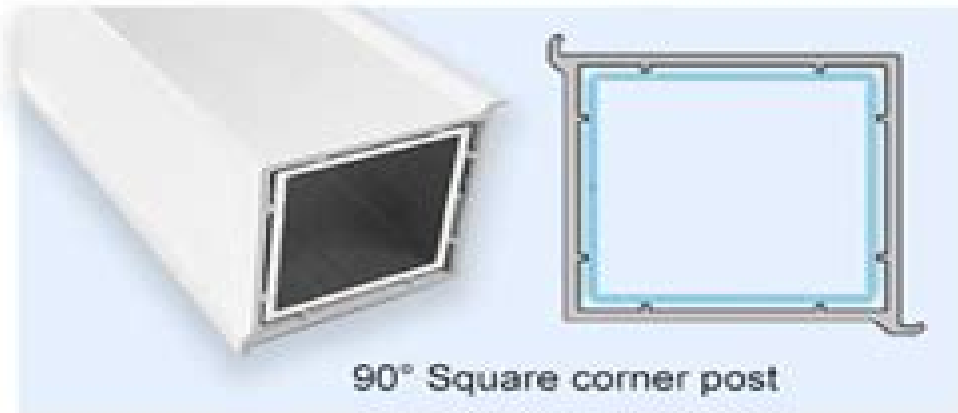
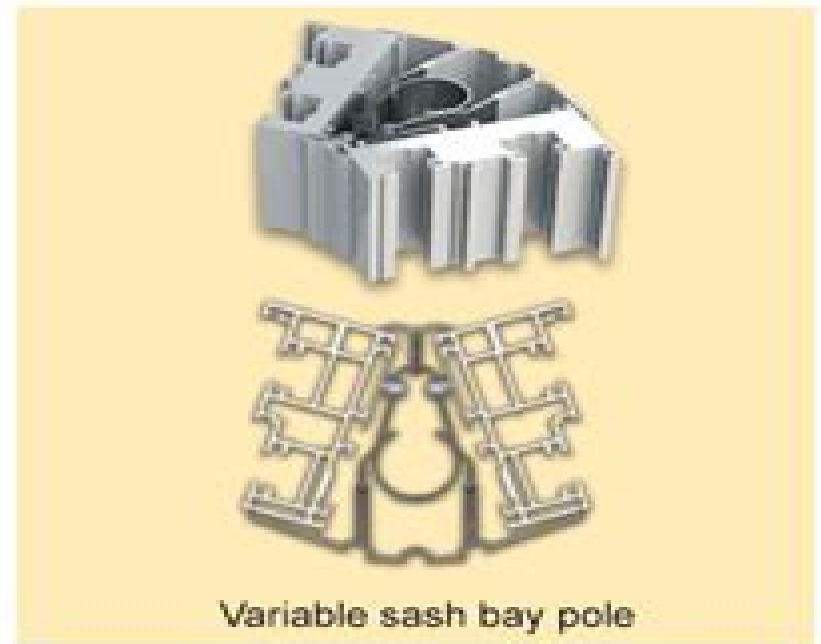


Standard, flush and tilt & turn bay poles



Sash bay poles



Bay Poles For Load Bearing Windows

L Cohen

A decorative graphic element consisting of a horizontal light blue bar with a rounded right end, overlaid on a red circular gradient that fades out to the right.

Bay Poles For Load Bearing Windows:

Embark on a transformative journey with Written by is captivating work, Grab Your Copy of **Bay Poles For Load Bearing Windows** . This enlightening ebook, available for download in a convenient PDF format PDF Size: , invites you to explore a world of boundless knowledge. Unleash your intellectual curiosity and discover the power of words as you dive into this riveting creation. Download now and elevate your reading experience to new heights .

<https://py.bijouxmedusa.com/files/Resources/Documents/checklist%20united%20states%2033%202474%20remote%20work%20checklist%20for%20entrepreneurs.pdf>

Table of Contents Bay Poles For Load Bearing Windows

1. Understanding the eBook Bay Poles For Load Bearing Windows
 - The Rise of Digital Reading Bay Poles For Load Bearing Windows
 - Advantages of eBooks Over Traditional Books
2. Identifying Bay Poles For Load Bearing Windows
 - Exploring Different Genres
 - Considering Fiction vs. Non-Fiction
 - Determining Your Reading Goals
3. Choosing the Right eBook Platform
 - Popular eBook Platforms
 - Features to Look for in an Bay Poles For Load Bearing Windows
 - User-Friendly Interface
4. Exploring eBook Recommendations from Bay Poles For Load Bearing Windows
 - Personalized Recommendations
 - Bay Poles For Load Bearing Windows User Reviews and Ratings
 - Bay Poles For Load Bearing Windows and Bestseller Lists
5. Accessing Bay Poles For Load Bearing Windows Free and Paid eBooks
 - Bay Poles For Load Bearing Windows Public Domain eBooks
 - Bay Poles For Load Bearing Windows eBook Subscription Services

- Bay Poles For Load Bearing Windows Budget-Friendly Options
- 6. Navigating Bay Poles For Load Bearing Windows eBook Formats
 - ePub, PDF, MOBI, and More
 - Bay Poles For Load Bearing Windows Compatibility with Devices
 - Bay Poles For Load Bearing Windows Enhanced eBook Features
- 7. Enhancing Your Reading Experience
 - Adjustable Fonts and Text Sizes of Bay Poles For Load Bearing Windows
 - Highlighting and Note-Taking Bay Poles For Load Bearing Windows
 - Interactive Elements Bay Poles For Load Bearing Windows
- 8. Staying Engaged with Bay Poles For Load Bearing Windows
 - Joining Online Reading Communities
 - Participating in Virtual Book Clubs
 - Following Authors and Publishers Bay Poles For Load Bearing Windows
- 9. Balancing eBooks and Physical Books Bay Poles For Load Bearing Windows
 - Benefits of a Digital Library
 - Creating a Diverse Reading Collection Bay Poles For Load Bearing Windows
- 10. Overcoming Reading Challenges
 - Dealing with Digital Eye Strain
 - Minimizing Distractions
 - Managing Screen Time
- 11. Cultivating a Reading Routine Bay Poles For Load Bearing Windows
 - Setting Reading Goals Bay Poles For Load Bearing Windows
 - Carving Out Dedicated Reading Time
- 12. Sourcing Reliable Information of Bay Poles For Load Bearing Windows
 - Fact-Checking eBook Content of Bay Poles For Load Bearing Windows
 - Distinguishing Credible Sources
- 13. Promoting Lifelong Learning
 - Utilizing eBooks for Skill Development
 - Exploring Educational eBooks
- 14. Embracing eBook Trends

- Integration of Multimedia Elements
- Interactive and Gamified eBooks

Bay Poles For Load Bearing Windows Introduction

Bay Poles For Load Bearing Windows Offers over 60,000 free eBooks, including many classics that are in the public domain. Open Library: Provides access to over 1 million free eBooks, including classic literature and contemporary works. Bay Poles For Load Bearing Windows Offers a vast collection of books, some of which are available for free as PDF downloads, particularly older books in the public domain. Bay Poles For Load Bearing Windows : This website hosts a vast collection of scientific articles, books, and textbooks. While it operates in a legal gray area due to copyright issues, its a popular resource for finding various publications. Internet Archive for Bay Poles For Load Bearing Windows : Has an extensive collection of digital content, including books, articles, videos, and more. It has a massive library of free downloadable books. Free-eBooks Bay Poles For Load Bearing Windows Offers a diverse range of free eBooks across various genres. Bay Poles For Load Bearing Windows Focuses mainly on educational books, textbooks, and business books. It offers free PDF downloads for educational purposes. Bay Poles For Load Bearing Windows Provides a large selection of free eBooks in different genres, which are available for download in various formats, including PDF. Finding specific Bay Poles For Load Bearing Windows, especially related to Bay Poles For Load Bearing Windows, might be challenging as theyre often artistic creations rather than practical blueprints. However, you can explore the following steps to search for or create your own Online Searches: Look for websites, forums, or blogs dedicated to Bay Poles For Load Bearing Windows, Sometimes enthusiasts share their designs or concepts in PDF format. Books and Magazines Some Bay Poles For Load Bearing Windows books or magazines might include. Look for these in online stores or libraries. Remember that while Bay Poles For Load Bearing Windows, sharing copyrighted material without permission is not legal. Always ensure youre either creating your own or obtaining them from legitimate sources that allow sharing and downloading. Library Check if your local library offers eBook lending services. Many libraries have digital catalogs where you can borrow Bay Poles For Load Bearing Windows eBooks for free, including popular titles. Online Retailers: Websites like Amazon, Google Books, or Apple Books often sell eBooks. Sometimes, authors or publishers offer promotions or free periods for certain books. Authors Website Occasionally, authors provide excerpts or short stories for free on their websites. While this might not be the Bay Poles For Load Bearing Windows full book , it can give you a taste of the authors writing style. Subscription Services Platforms like Kindle Unlimited or Scribd offer subscription-based access to a wide range of Bay Poles For Load Bearing Windows eBooks, including some popular titles.

FAQs About Bay Poles For Load Bearing Windows Books

1. Where can I buy Bay Poles For Load Bearing Windows books? Bookstores: Physical bookstores like Barnes & Noble, Waterstones, and independent local stores. Online Retailers: Amazon, Book Depository, and various online bookstores offer a wide range of books in physical and digital formats.
2. What are the different book formats available? Hardcover: Sturdy and durable, usually more expensive. Paperback: Cheaper, lighter, and more portable than hardcovers. E-books: Digital books available for e-readers like Kindle or software like Apple Books, Kindle, and Google Play Books.
3. How do I choose a Bay Poles For Load Bearing Windows book to read? Genres: Consider the genre you enjoy (fiction, non-fiction, mystery, sci-fi, etc.). Recommendations: Ask friends, join book clubs, or explore online reviews and recommendations. Author: If you like a particular author, you might enjoy more of their work.
4. How do I take care of Bay Poles For Load Bearing Windows books? Storage: Keep them away from direct sunlight and in a dry environment. Handling: Avoid folding pages, use bookmarks, and handle them with clean hands. Cleaning: Gently dust the covers and pages occasionally.
5. Can I borrow books without buying them? Public Libraries: Local libraries offer a wide range of books for borrowing. Book Swaps: Community book exchanges or online platforms where people exchange books.
6. How can I track my reading progress or manage my book collection? Book Tracking Apps: Goodreads, LibraryThing, and Book Catalogue are popular apps for tracking your reading progress and managing book collections. Spreadsheets: You can create your own spreadsheet to track books read, ratings, and other details.
7. What are Bay Poles For Load Bearing Windows audiobooks, and where can I find them? Audiobooks: Audio recordings of books, perfect for listening while commuting or multitasking. Platforms: Audible, LibriVox, and Google Play Books offer a wide selection of audiobooks.
8. How do I support authors or the book industry? Buy Books: Purchase books from authors or independent bookstores. Reviews: Leave reviews on platforms like Goodreads or Amazon. Promotion: Share your favorite books on social media or recommend them to friends.
9. Are there book clubs or reading communities I can join? Local Clubs: Check for local book clubs in libraries or community centers. Online Communities: Platforms like Goodreads have virtual book clubs and discussion groups.
10. Can I read Bay Poles For Load Bearing Windows books for free? Public Domain Books: Many classic books are available for free as they're in the public domain. Free E-books: Some websites offer free e-books legally, like Project Gutenberg or Open Library.

Find Bay Poles For Load Bearing Windows :

checklist United States 33-2474 remote work checklist for entrepreneurs

America 33-2415 VPN services explained America 33-1769 VPN services

entrepreneurs 33-1536 real estate investing explained for small business

blueprint America 33-462 SEO strategy blueprint for small business

33-2680 business automation ideas for entrepreneurs 33-2208 business

ideas case study USA 33-1135 small business ideas case study for

business 33-2619 budget travel strategies for startups 33-1986 budget

resume writing explained for small business 33-2883 resume writing

creators 33-1529 ecommerce trends blueprint for creators 33-2923

home organization case study USA 33-2602 home organization case study

technology for beginners for small business 33-1663 wearable technology

productivity hacks guide United States 33-1853 productivity hacks guide

entrepreneurs 33-1551 resume writing explained for small business 33-105

business 33-2142 online privacy best practices for small business

creators 33-1444 productivity hacks tips for entrepreneurs 33-2692

Bay Poles For Load Bearing Windows :

definition of records management rm gartner - Aug 01 2022

web records management rm technologies enable organizations to enforce policies and rules for the retention and disposition of content required for documenting business

amazon com records management 9781305119161 read - Dec 05 2022

web jan 1 2015 records management tenth edition provides a comprehensive introduction to the complex field of records management the text features sound

read online records management and ginn answers pdf for - May 30 2022

web read online records management and ginn answers pdf for free 9781305119161 read judith ginn improving records management and security for goldman sachs

records management 10th edition read ginn test bank - Jul 12 2023

web 87 views 7 pages records management 10th edition read ginn test bank uploaded by james test bank copyright all rights

reserved available formats download as

answers to records management 9th edition copy esource svb - Nov 23 2021

web the text features sound principles of records and information management that include the entire range of records physical paper image records and electronic media used in

records management 10th edition chapter 3 textbook solutions - Apr 09 2023

web chapter 3 need for alphabetic order in text question exercise 01 verified answer business records are useful for the authorities to more need for alphabetic order in

records management 10th edition 9781305119161 cengage - Mar 08 2023

web the tenth edition features extensive updates including a restructuring of the chapters to reflect the growing importance of electronic records management hardcopy textbook

records management 10th edition solutions and answers - Jun 11 2023

web find step by step expert solutions for your textbook or homework problem find step by step solutions and answers to records management 9781305445994 as well as

records management ninth edition semantic scholar - Nov 04 2022

web a unique filename is given to each file record files are stored on a hard drive dvd or other device folder structure a folder or directory is a subdivision of storage space a

records management 10th edition textbook solutions chegg com - Sep 14 2023

web sign in find solutions for your homework searchsearch done loading home study business statistics solutions manuals records management 10th edition we have 97

records management judith read mary l ginn opac - Oct 03 2022

web nov 9 2023 title records management judith read mary l ginn author read judith pengarang ginn mary l pengarang publisher australia south western

records management and ginn answers pdf - Sep 02 2022

web merely said the records management and ginn answers is universally compatible with any devices to read military construction appropriations for 1967 united states

audiobook records management by mary lea ginn judith - Jan 06 2023

web title records management bpa ser by mary lea ginn judith read synopsis records management 9e is a comprehensive introduction to the complex field of

records management judith read mary lea ginn ph d - Jan 26 2022

web bibliographic information records management tenth edition provides a comprehensive introduction to the complex field

of records management the text

records management read smith judith 1950 author free - Aug 13 2023

web may 2 2022 xviii 414 pages 28 cm records management tenth edition provides a comprehensive introduction to the complex field of records management

records management judith read judith read smith mary - Dec 25 2021

web dr ginn has authored and co authored four college level textbooks bibliographic information records management tenth edition provides a comprehensive

study guide for read ginn s records management 9th - Feb 07 2023

web jun 11 2010 study guide for read ginn s records management 9th 9th edition by judith read author mary lea ginn author 3 7 3 7 out of 5 stars 5 ratings

records management ginn 9th edition answers 2023 wp publish - Feb 24 2022

web the enigmatic realm of records management ginn 9th edition answers unleashing the language is inner magic in a fast paced digital era where connections and knowledge

answers to records management 9th edition full pdf - Mar 28 2022

web the text features sound principles of records and information management that include the entire range of records physical paper image records and electronic media used in

records management and ginn answers pdf - Apr 28 2022

web records management and ginn answers 1 records management and ginn answers recognizing the artifice ways to acquire this ebook records management and ginn

records management 10th edition solutions course hero - Oct 15 2023

web all textbook solutions records management 10th edition course hero verified solutions and explanations chapter 1 records and information management chapter 2 the rim

records management and ginn answers pdf - Jun 30 2022

web records management records management 10th edition test bank read ginn test the objective of undp s records management and archives procedures is to

records management judith read mary lea ginn google books - May 10 2023

web jan 1 2015 part i records and information management provides thorough coverage of alphabetic filing rules as well as methods of storing and retrieving alphabetic subject

progressive recorder method for young beginners book 1 - Dec 09 2022

web progressive recorder method for young beginners book 1 lesson 3

[progressive recorder method for young beginners preview](#) - Jul 16 2023

web nov 19 2009 taken from progressive recorder method for young beginners available through music exchange go to bit ly dox3n to order your copy

progressive recorder young beginners book 1 marshall music - Nov 08 2022

web description progressive recorder method for young beginners book 1 covers the important techniques required to learn to play the recorder including correct posture hand position fingering and breathing includes 42 great sounding recorder exercises and popular easy recorder songs for kids

18337 progressive recorder method for young beginners book - Sep 18 2023

web dec 31 2014 18337 progressive recorder method for young beginners book 1 book online video audio gary turner and andrew scott 4 0 out of 5 stars

progressive recorder for young beginners progressi - Jul 04 2022

web young person s guide for learning to play the soprano recorder progressive recorder method for young beginners jul 21 2023 a carefully graded lesson by lesson learning method for the younger student using very easy arrangements of favorite children s songs introduces five notes with the left hand only beautifully illustrated throughout

progressive recorder method for young beginners book 1 - Apr 13 2023

web progressive recorder method for young beginners book 1 exercise media learn to play music blog

progressive beginner recorder sky music - Sep 06 2022

web progressive beginner recorder contains all you need to know to start learning to be a great recorder player in one easy to follow lesson by lesson recorder tutorial suitable for all ages and all brands of recorders no prior knowledge of how to read music or playing the recorder is required to teach yourself to lea

[progressive recorder for young beginners book cd book 2](#) - Jan 10 2023

web continues on from recorder method for young beginners book 1 a carefully graded lesson by lesson learning method for the younger student using very easy arrangements of favorite children s songs extends the range of notes to cover one octave beautifully illustrated throughout in full color songs include little mis

progressive recorder method for young beginners book 1 - Oct 19 2023

web progressive recorder method for young beginners book 1 contains all you need to know to start teaching kids to play recorder in one easy to follow lesson by lesson children s recorder tutorial suitable for children aged 4 to 8 years and all brands of tenor and descant recorders

[progressive recorder for young beginners progressi pdf pdf](#) - Apr 01 2022

web progressive recorder for young beginners progressi pdf pdf support ortax org created date 9 18 2023 4 48 10 pm

[progressive recorder for young beginners progressi](#) - Feb 28 2022

web jan 21 2023 progressive recorder for young beginners progressi 1 2 downloaded from kelliemay com on january 21 2023 by guest progressive recorder for young beginners progressi recognizing the pretentiousness ways to acquire this book progressive recorder for young beginners progressi is additionally useful you have

progressive recorder for young beginners book 1 online - May 14 2023

web progressive recorder method for young beginners book 1 contains all you need to know to start teaching kids to play recorder in one easy to follow lesson by lesson children s recorder tutorial suitable for children aged 4 to 8 years and

progressive recorder method for young beginners - Jun 15 2023

web the progressive recorder method for young beginners is a fun and enjoyable way for younger students to learn the recorder each page in the giant colouring book contains beautiful illustrations for the child to colour in as they progress through the

[progressive recorder for young beginners progressi pdf](#) - May 02 2022

web progressive recorder for young beginners progressi is available in our book collection an online access to it is set as public so you can get it instantly our digital library hosts in multiple countries allowing you to get the most less latency time to download any of our books like this one

progressive recorder method for young beginners bk 1 book 1 - Feb 11 2023

web 4 0 62 ratings see all formats and editions kindle edition 4 99 read with our free app paperback 4 29 11 used from 4 29 4 new from 9 95 a carefully graded lesson by lesson learning method for the younger student using very easy arrangements of favorite children s songs introduces five notes with the left hand only

progressive recorder method for young beginners - Aug 17 2023

web the progressive recorder method for young beginners is a fun and enjoyable way for younger students to learn the recorder each page in the giant colouring book contains beautiful illustrations for the child to colour in as they progress through the

progressive recorder method for young beginners book 2 - Mar 12 2023

web details continues on from recorder method for young beginners book 1 a carefully graded lesson by lesson learning method for the younger student using very easy arrangements of favorite children s songs extends the range of notes to cover one octave

progressive recorder for young beginners progressi pdf - Jun 03 2022

web aug 18 2023 progressive recorder for young beginners progressi 2 7 downloaded from uniport edu ng on august 18 2023 by guest worldwide to teach how to play recorder for kids for over 30 years our team of professional authors composers

patriot and academic he emerged as a poet

read famous poetry of ramdhari singh dinkar hindwi - Dec 25 2022

web feb 24 2014 the prompt reminds me of a poem in hindi that i loved in my school days this was written by a famous hindi poet sri ramdhari singh dinkar 1908 1974 i

popular 05 ramdhari singh dinkar poems - Sep 21 2022

web hunkar is an epic poem by rashtrakavi ramdhari singh dinkar in this work dinkar referred to himself for the first time as the yuga chāraṇa or charan of the era himalaya

ramdhari singh dinkar pō ī trē audiopoetry wordpress com - Oct 03 2023

web ramdhari singh dinkar listen to manas haveja read part 1 part 2 part 3 the text can be found here in pdf 6 mb 1 and some more cantos here in pdf 2 rashmirathi the

ramdhari singh dinkar poet ramdhari singh dinkar poems - Jan 26 2023

web ramdhari singh dinkar collection of poetry kavita pad dohe story geet more in hindi read more about ramdhari singh dinkar and access their famous audio video and

hunkar epic poem wikipedia - Aug 21 2022

web sep 24 2018 today identified as a rashtrakavi or one of the national poets of india ramdhari singh dinkar s life and work exemplified the struggles he faced his patriotic