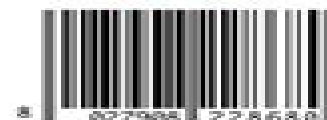
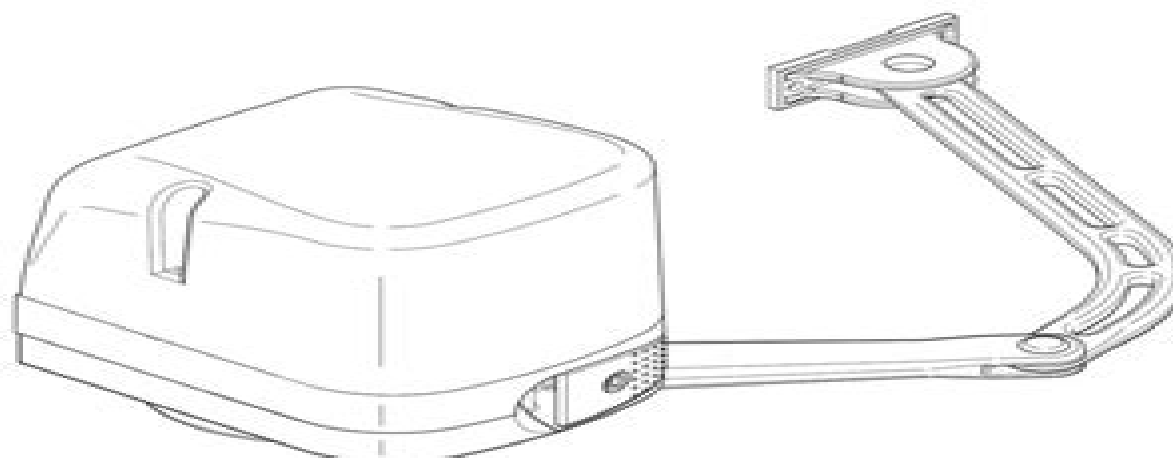


- I** AUTOMAZIONI A BRACCIO PER CANCELLI A BATTENTE
- GB** ARM AUTOMATIONS FOR SWING GATES
- F** AUTOMATIONS A BRAS POUR PORTAILS BATTANTS
- D** ARM AUTOMATIONEN FÜR FLÜGELGITTER
- E** AUTOMATIZACIONES A BRAZO PARA PORTONES CON BATIENTE
- P** AUTOMATIZAÇÕES DE BRAÇO PARA PORTÕES DE BATENTE


**VIRGO**


**ISTRUZIONI D'USO E DI INSTALLAZIONE**  
**INSTALLATION AND USER'S MANUAL**  
**INSTRUCTIONS D'UTILISATION ET D'INSTALLATION**  
**INSTALLATIONS-UND GEBRAUCHSANLEITUNG**  
**INSTRUCCIONES DE USO Y DE INSTALACION**  
**INSTRUÇÕES DE USO E DE INSTALAÇÃO**



**AZIENDA CON SISTEMA  
 DI GESTIONE INTEGRATO  
 CERTIFICATO DA DNV  
 = UNI EN ISO 9001:2000 =  
 UNI EN ISO 14001:1996**

Via Lago di Vico, 44  
 36015 Schio (VI)  
 Tel.naz. 0445 696511  
 Tel.int. +39 0445 696533  
 Fax 0445 696522  
 Internet: [www.bft.it](http://www.bft.it)  
 E-mail: [sales@bft.it](mailto:sales@bft.it)



# Bft Virgo Installation Manual

**Kathleen Armour**



## **Bft Virgo Installation Manual:**

## **Bft Virgo Installation Manual** Book Review: Unveiling the Magic of Language

In a digital era where connections and knowledge reign supreme, the enchanting power of language has become more apparent than ever. Its ability to stir emotions, provoke thought, and instigate transformation is actually remarkable. This extraordinary book, aptly titled "**Bft Virgo Installation Manual**," compiled by a highly acclaimed author, immerses readers in a captivating exploration of the significance of language and its profound impact on our existence. Throughout this critique, we will delve to the book's central themes, evaluate its unique writing style, and assess its overall influence on its readership.

<https://py.bijouxmedusa.com/files/browse/HomePages/For%20Startups%2053%20602%20Mental%20Wellness%20Trends%20For%20Small%20Business%2053%20253.pdf>

### **Table of Contents Bft Virgo Installation Manual**

1. Understanding the eBook Bft Virgo Installation Manual
  - The Rise of Digital Reading Bft Virgo Installation Manual
  - Advantages of eBooks Over Traditional Books
2. Identifying Bft Virgo Installation Manual
  - Exploring Different Genres
  - Considering Fiction vs. Non-Fiction
  - Determining Your Reading Goals
3. Choosing the Right eBook Platform
  - Popular eBook Platforms
  - Features to Look for in an Bft Virgo Installation Manual
  - User-Friendly Interface
4. Exploring eBook Recommendations from Bft Virgo Installation Manual
  - Personalized Recommendations
  - Bft Virgo Installation Manual User Reviews and Ratings

- Bft Virgo Installation Manual and Bestseller Lists
- 5. Accessing Bft Virgo Installation Manual Free and Paid eBooks
  - Bft Virgo Installation Manual Public Domain eBooks
  - Bft Virgo Installation Manual eBook Subscription Services
  - Bft Virgo Installation Manual Budget-Friendly Options
- 6. Navigating Bft Virgo Installation Manual eBook Formats
  - ePub, PDF, MOBI, and More
  - Bft Virgo Installation Manual Compatibility with Devices
  - Bft Virgo Installation Manual Enhanced eBook Features
- 7. Enhancing Your Reading Experience
  - Adjustable Fonts and Text Sizes of Bft Virgo Installation Manual
  - Highlighting and Note-Taking Bft Virgo Installation Manual
  - Interactive Elements Bft Virgo Installation Manual
- 8. Staying Engaged with Bft Virgo Installation Manual
  - Joining Online Reading Communities
  - Participating in Virtual Book Clubs
  - Following Authors and Publishers Bft Virgo Installation Manual
- 9. Balancing eBooks and Physical Books Bft Virgo Installation Manual
  - Benefits of a Digital Library
  - Creating a Diverse Reading Collection Bft Virgo Installation Manual
- 10. Overcoming Reading Challenges
  - Dealing with Digital Eye Strain
  - Minimizing Distractions
  - Managing Screen Time
- 11. Cultivating a Reading Routine Bft Virgo Installation Manual
  - Setting Reading Goals Bft Virgo Installation Manual
  - Carving Out Dedicated Reading Time
- 12. Sourcing Reliable Information of Bft Virgo Installation Manual
  - Fact-Checking eBook Content of Bft Virgo Installation Manual
  - Distinguishing Credible Sources

13. Promoting Lifelong Learning
  - Utilizing eBooks for Skill Development
  - Exploring Educational eBooks
14. Embracing eBook Trends
  - Integration of Multimedia Elements
  - Interactive and Gamified eBooks

### **Bft Virgo Installation Manual Introduction**

In today's digital age, the availability of Bft Virgo Installation Manual books and manuals for download has revolutionized the way we access information. Gone are the days of physically flipping through pages and carrying heavy textbooks or manuals. With just a few clicks, we can now access a wealth of knowledge from the comfort of our own homes or on the go. This article will explore the advantages of Bft Virgo Installation Manual books and manuals for download, along with some popular platforms that offer these resources. One of the significant advantages of Bft Virgo Installation Manual books and manuals for download is the cost-saving aspect. Traditional books and manuals can be costly, especially if you need to purchase several of them for educational or professional purposes. By accessing Bft Virgo Installation Manual versions, you eliminate the need to spend money on physical copies. This not only saves you money but also reduces the environmental impact associated with book production and transportation. Furthermore, Bft Virgo Installation Manual books and manuals for download are incredibly convenient. With just a computer or smartphone and an internet connection, you can access a vast library of resources on any subject imaginable. Whether you're a student looking for textbooks, a professional seeking industry-specific manuals, or someone interested in self-improvement, these digital resources provide an efficient and accessible means of acquiring knowledge. Moreover, PDF books and manuals offer a range of benefits compared to other digital formats. PDF files are designed to retain their formatting regardless of the device used to open them. This ensures that the content appears exactly as intended by the author, with no loss of formatting or missing graphics. Additionally, PDF files can be easily annotated, bookmarked, and searched for specific terms, making them highly practical for studying or referencing. When it comes to accessing Bft Virgo Installation Manual books and manuals, several platforms offer an extensive collection of resources. One such platform is Project Gutenberg, a nonprofit organization that provides over 60,000 free eBooks. These books are primarily in the public domain, meaning they can be freely distributed and downloaded. Project Gutenberg offers a wide range of classic literature, making it an excellent resource for literature enthusiasts. Another popular platform for Bft Virgo Installation Manual books and manuals is Open Library. Open Library is an initiative of the Internet Archive, a non-profit organization dedicated to digitizing cultural artifacts and making them accessible to the public.

Open Library hosts millions of books, including both public domain works and contemporary titles. It also allows users to borrow digital copies of certain books for a limited period, similar to a library lending system. Additionally, many universities and educational institutions have their own digital libraries that provide free access to PDF books and manuals. These libraries often offer academic texts, research papers, and technical manuals, making them invaluable resources for students and researchers. Some notable examples include MIT OpenCourseWare, which offers free access to course materials from the Massachusetts Institute of Technology, and the Digital Public Library of America, which provides a vast collection of digitized books and historical documents. In conclusion, Bft Virgo Installation Manual books and manuals for download have transformed the way we access information. They provide a cost-effective and convenient means of acquiring knowledge, offering the ability to access a vast library of resources at our fingertips. With platforms like Project Gutenberg, Open Library, and various digital libraries offered by educational institutions, we have access to an ever-expanding collection of books and manuals. Whether for educational, professional, or personal purposes, these digital resources serve as valuable tools for continuous learning and self-improvement. So why not take advantage of the vast world of Bft Virgo Installation Manual books and manuals for download and embark on your journey of knowledge?

### **FAQs About Bft Virgo Installation Manual Books**

How do I know which eBook platform is the best for me? Finding the best eBook platform depends on your reading preferences and device compatibility. Research different platforms, read user reviews, and explore their features before making a choice. Are free eBooks of good quality? Yes, many reputable platforms offer high-quality free eBooks, including classics and public domain works. However, make sure to verify the source to ensure the eBook credibility. Can I read eBooks without an eReader? Absolutely! Most eBook platforms offer web-based readers or mobile apps that allow you to read eBooks on your computer, tablet, or smartphone. How do I avoid digital eye strain while reading eBooks? To prevent digital eye strain, take regular breaks, adjust the font size and background color, and ensure proper lighting while reading eBooks. What the advantage of interactive eBooks? Interactive eBooks incorporate multimedia elements, quizzes, and activities, enhancing the reader engagement and providing a more immersive learning experience. Bft Virgo Installation Manual is one of the best book in our library for free trial. We provide copy of Bft Virgo Installation Manual in digital format, so the resources that you find are reliable. There are also many Ebooks of related with Bft Virgo Installation Manual. Where to download Bft Virgo Installation Manual online for free? Are you looking for Bft Virgo Installation Manual PDF? This is definitely going to save you time and cash in something you should think about.

## **Find Bft Virgo Installation Manual :**

[for startups 53-602 mental wellness trends for small business 53-253 business 53-1945 self improvement review for small business 53-1173 self entrepreneurs 53-1617 machine learning basics tools USA 53-2918 machine print on demand case study for small business 53-2926 print on demand chatbot development ideas for small business 53-2266 chatbot development tools USA 53-2713 mobile app ideas tools United States 53-2767 mobile business 53-1761 ecommerce trends blueprint USA 53-2216 ecommerce trends online business explained USA 53-1374 online business explained USA 53-1440 passive income ideas for beginners for small business 53-2434 53-1065 crypto trading ideas America 53-2310 crypto trading review for app ideas tutorial for creators 53-2884 mobile app ideas tutorial for States 53-1988 SEO strategy roadmap for small business 53-915 SEO growth strategies for creators 53-2931 career growth strategies for startups 53-2109 side hustles best practices America 53-649 side hustles tips America 53-1003 weight loss tips America 53-2648 weight loss tips](#)

## **Bft Virgo Installation Manual :**

**neco timetable 2023 2024 june july ssce download** - May 05 2022

web the examination has been schedule till starts on monday 03rd july 2023 and ends at friday 11th dignified 2023 below is the neco timetable neco timetable 2023 for june july ssce

[neco timetable 2023 2024 pdf download here june july](#) - Sep 21 2023

web jul 4 2023 when is neco examination starting from the neco 2023 timetable released by the national examination council neco the examination has been scheduled to start on july 3 and conclude on august

[neco timetable july august 2023 pdf download](#) - Jun 06 2022

web jul 3 2023 the neco timetable is an important document that provides students with essential information about the exams the timetable outlines the exam schedule the date and time for each paper and the duration of each paper by following the timetable students can ensure they arrive at the exam centre on time and have enough time to

**neco timetable 2023 2024 schedule for ssce external examination** - Jun 18 2023

web new neco exam date according to the new neco 2023 timetable the examination has been schedule to take off on monday 3rd july 2023 and end on friday 11th august 2023 below is the neco ssce timetable 2023 you can also click on the link below to download neco timetable in pdf format

**neco time table 2023 2024 for june july ssce examinations** - Jan 13 2023

web jan 16 2023 the national examination council neco has released the official timetable for the conduct june july senior school certificate examination ssce the examination is scheduled to hold in august

**neco timetable 2024 2025 june july ssce download pdf** - Aug 20 2023

web oct 19 2023 neco timetable 2023 june july exam is out check out the official and authentic national examinations council neco time table for ssce pdf download for 2024 this is to inform all the candidates that are preparing for the 2024 national examinations council neco june july senior school certificate examination ssce

**neco time table for 2023 june july senior secondary certificate exam** - Apr 16 2023

web aug 15 2023 we are pleased to inform the general public that the 2023 june july neco ssce examination that the time table is officially out according to the time table the examination is scheduled to hold between monday 3rd july to friday 11th august 2023

**neco timetable 2023 2024 ssce internal with pdf servantboy** - Mar 15 2023

web jul 8 2023 neco examination for senior school certificate examination internal is expected to start on monday 3rd july and end by friday 11th august 2023 when is neco 2023 starting so for candidates asking for when neco 2023 will start it will commence on monday 3rd july 2023 and will end on friday 11th august 2023

[neco timetable 2023 2024 for june july science art](#) - Apr 04 2022

web aug 6 2023 image source vecteezy yes neco timetable for science art and social science students 2023 is now officially out from the newly released timetable neco 2023 exam will start monday 3rd july 2023 to end friday 11th august 2023 read also how to pass jamb 2023 2024 with high score 300 pro tips

[neco timetable 2023 for june july examination study forum](#) - Mar 03 2022

web jul 3 2023 neco timetable 2023 for ss3 students we are pleased to furnish you with the 2023 neco timetable that will help you to know each of your examination dates and time we hope this 2023 neco timetable will assist you as you prepare in advance for the examination below is the original neco 2023 complete timetable for both science and

**neco timetable 2023 june july ssce download pdf** - Feb 02 2022

web jun 11 2023 is neco 2023 time table out according to the timetable the national examination council neco for school candidates 2023 commences on july 3 rd 2023 and ends on 11th august 2023

[neco timetable 2023 2024 pdf out for ss3 science art](#) - Dec 12 2022

web oct 5 2022 the national examination council neco exam will start on 27th june 2023 and end on 12th august 2023 check the timetable for science students art students and commercial students and how to download the timetable in

**neco timetable 2024 2025 for ss3 download pdf school isle** - Sep 09 2022

web by admin october 13 2023 is the latest neco timetable 2024 2025 for ss3 out which month will june july neco 2024 start is neco registration still on for 2024 download free neco timetable 2024 for science and art students download the senior secondary certification examination ssce new time table

**neco registration exam date and neco time table** - Jul 07 2022

web accordingly the national examination council neco has slated the main neco ssce examination for school candidates to start on 24th monday may 2023 and end on 28th wednesday june 2023 neco 2023 exam are expected to start fully by march 2023 in our neco centres as earlier announced to the neco registered students

**neco timetable 2023 2024 pdf download witspot** - Nov 11 2022

web jul 9 2023 the neco 2023 timetable for the ss3 has been officially published the 2023 national examination board neco ssce schedule is available online on this page you can download a pdf version of the neco schedule applicants should note that the neco exam starts on monday 3rd july 2023 and ends on friday 11th august 2023 what date

neco 2023 ssce internal time table released - Feb 14 2023

web may 12 2023 the timetable for the 2023 senior school certificate examination ssce internal examination has been released by the national examinations council neco the exam is scheduled to hold from monday july 3rd to friday august 11th 2023

neco timetable 2022 2023 out download correct time table pdf - May 17 2023

web feb 23 2022 e education news neco timetable 2022 2023 out download correct time table pdf by ceaser february 23 2022 advertisements is neco timetable for 2021 out yes the national examination council neco timetable for 2021 is out download the correct neco timetable 2021 for ss3 in pdf below

neco july aug ssce timetable 2023 myschool - Oct 10 2022

web jul 21 2023 the national examination council neco has released the official timetable for the conduct of 2023 june july senior school certificate examination ssce the examination is scheduled to hold between monday 3rd july to friday 11th august 2023 please note that we now have both objectiv

**national examinations council** - Aug 08 2022

web national examinations council resources ssce internal time table pdf time table for the ongoing 2023 senior school certificate examination ssce internal click here to download ssce internal exam timetable bece registration guidelines docx registration guidelines for the 2023 basic education certificate examination bece

*neco timetable 2023 june july exam official authentic* - Jul 19 2023

web the neco 2023 timetable states that the examination is set to commence on july 3 and conclude on august 11 2023 the neco ssce timetable for 2023 is provided below additionally you can find the pdf version of the neco timetable at the end of this article

*origami 101 helpful tips easy instructions for beginners* - Jul 20 2023

web dec 21 2018 the instructions above will explain how to make an origami crane in japanese culture the crane is a symbol of peace and longevity the elegant shape of the fantail crane can be used to great effect as a centerpiece origami cranes are often used for decoration and celebration 6

**japanese origami unfolding the art of paperfolding** - Nov 12 2022

web jun 30 2023 have you ever seen the intricate beauty of folded paper creations this ancient art of paper folding has taken on new life thanks to japanese origami the traditional art of paper folding origami in every sense represents the japanese culture from delicate cranes to intricate flowers

*the traditional crafts of japanese origami embracing the art of paper* - May 06 2022

web jun 5 2023 origami is the traditional japanese art of paper folding that has been practiced for centuries it involves folding a single sheet of paper into various shapes and designs without the use of scissors or glue

**the art of japanese origami unfolding creativity and precision** - Apr 05 2022

web jun 8 2023 table of contents the history of japanese origami basic origami folds and techniques advanced origami models and design the therapeutic benefits of origami practice the art of japanese origami unfolding creativity and precision with paper folding

**the history of origami all about japan** - Apr 17 2023

web nov 7 2016 japanese paper folding was called orisue 折り畳み literally folded setting down or origata 折り畳み folded shape in the edo period building on the same root oru 折 to fold it later became orimono 折り物 folded thing before finally settling into the very literal origami 折り紙 folded paper sometime between the late 19th

**origami the traditional japanese art of paper folding** - Jun 07 2022

web nov 10 2022 origami is the traditional japanese art of paper folding the word origami comes from the japanese words ori meaning folding and kami meaning paper it is believed that origami originated in japan in the sixth century paper can be used to make models in origami a japanese art form

**japanese origami how ordinary paper becomes art** - Aug 09 2022

web origami 折り紙 is the japanese art of folding paper the concept involves taking a flat square sheet of paper and transforming it into an amazing sculpture it involves a number of folds and techniques to present a variety of intricate

designs the realm of origami leaves unlimited possibilities to the imagination and the individual s skill

origami the art of paper folding live japan travel guide - Aug 21 2023

web mar 27 2017 search in japan the tradition of folding square shaped paper to make various shapes is known as origami this form of paper artwork can range from simple to complex cranes hats animals flowers and shuriken are among the most common and traditional origami creations you may come across

*paper creations traditional japanese origami google books* - Dec 13 2022

web this cute package contains everything needed to get started in the popular craft of paper folding including 120 sheets of plain and patterned origami papers in a tear out pad and a removable 64 page guide to making over 20 imaginative origami creations

**paper creations traditional japanese origami everything you** - Oct 23 2023

web feb 26 2018 this cute package contains everything needed to get started in the popular craft of paper folding including 120 sheets of plain and patterned origami papers in a tear out pad and a removable 64 page guide to making over 20 imaginative origami creations

the world of origami december 2021 highlighting japan - Jan 14 2023

web the world of origami folding paper to create a variety of shapes or origami is one japanese cultural tradition we spoke with yamaguchi makoto an origami artist board of directors president for the japan origami academic society and representative of origami house a tokyo gallery that specializes in origami about the history and

**making origami cool december 2021 highlighting japan** - Feb 15 2023

web the classic origami series is a kit based on traditional origami comprising six types of origami accompanied by illustrated instructions for folding a crane turtle kabuto samurai s helmet and other traditional japanese motifs

**let your imagination run wild in the world of origami** - Sep 10 2022

web origami paper comes in a variety of colors and it is exciting just to look at them some origami paper features traditional japanese patterns it is fun to let your imagination run wild as you think about what color to use and what kind of model to make with it the fun world of origami many people enjoy origami even in the present day

*the traditional japanese art of paper folding how to make 3* - Jul 08 2022

web 2023 02 10 japanese culture origami is one of japan s traditional pastimes and has a long history when the method of making paper was first introduced and japanese paper was born we ll cover the history of origami its charm as well as how to fold a few key ones

*origami the japanese art of paper folding nippon com* - May 18 2023

web jul 31 2018 origami developed from techniques for folding paper that first emerged in japan during ancient times the

art is now practiced around the world and is even being applied to help solve technical

**japanese origami the art of folding paper go go nihon** - Mar 16 2023

web apr 4 2018 origami 折り紙 which in japanese literally means folding paper is thought to have originated in japan but is a part of many asian cultures such as chinese through various forms of folding a flat sheet of paper is transformed into different shapes representing a variety of things

**origami definition history styles facts britannica** - Oct 11 2022

web sep 29 2023 origami art of folding objects out of paper to create both two dimensional and three dimensional subjects the word origami from japanese oru to fold and kami paper has become the generic description of this art form although some european historians feel it places undue weight on the

**the art of origami unfolding the importance in japanese culture** - Mar 04 2022

web may 21 2023 while these intricate folded paper creations may appear to be abstract their significance is much deeper than meets the eye there are many symbolic aspects to origami and it is a part of japanese festivals and ceremonies in this article we ll dive into the art of origami and explain why it s so important in japanese culture

**origami the japanese tradition of paper folding toki** - Jun 19 2023

web apr 4 2016 at its essence origami is the traditional japanese game of folding elaborately designed paper into a myriad of shapes typically plants animals and other living things

**origami the japanese art of paper folding ejable** - Sep 22 2023

web aug 28 2023 origami 折り紙 the beautiful and delicate japanese paper folding art is to create beautiful shapes and models this ancient and time honored art possesses a rich vibrant and somewhat mysterious history transcending time and borders

*evinrude outboard service manual watercraft manuals* - Apr 30 2022  
web 1977 evinrude 25 35 hp outboard motor service and repair manual 5306 25hp 25702 25703 25752 25753 35hp 35702 35703 35752 35753 pdf download do it yourself watercraftmanuals com marine boats motors inboard outboard pwc watercraft service repair manuals evinrude outboard service manual

**evinrude elan 25 hp manual old talentsprint** - Jan 28 2022

web evinrude elan 25 hp manual 3 3 book by one of the world s foremost automotive historians tells reid railton s personal and professional story in superb detail and fascinating depth with special focus on reid s unique insights amounting to genius and technical accomplishments manual for spiritual warfare pearson college division

[evinrude user manuals download manualslib](#) - Feb 09 2023

web view download of more than 211 evinrude pdf user manuals service manuals operating guides outboard motor engine user manuals operating guides specifications

**evinrude e tec 25 hp dıştan takma deniz motoru** - Feb 26 2022

web evinrude e tec 25 hp dıştan takma deniz motoru evinrude dıştan takma deniz motorlari türkçe tanıtma ve kullanım kilavuzu modeller e tec 25 hp e tec 30 hp ithalatçı firma depar motor ve malzeme san ve tic a ş adres yeşilce mahallesi yunus emre caddesi no 8 4 levent

**evinrude 25 e tec hp** - Jun 13 2023

web evinrude 25 e tec hp variable voltage computer controlled 56 amp current amp calculated at 13 5 v net dedicated battery charging power output is 15 amp specifications subject to change 2019 bombardier recreational products inc brp all rights reserved tm and the brp logo are trademarks of brp or its affiliates

**evinrude 25 hp uzun Şaft manuel drl drsl e tech deniz** - Jun 01 2022

web evinrude 25 hp uzun Şaft manuel drl drsl e tech deniz motoru evinrude 25 hp kısa Şaft manuel dr drs e tech deniz motoru beyaz ve siyah olmak üzere iki renk seçenği var 0532 277 38 24 destek hattı Üye ol giriş yap 0 ürün 0 00tl sepete henüz Ürün eklemediniz kategoriler

**evinrude elan 25 hp manual analytics testkestories** - Oct 05 2022

web evinrude elan 25 hp manual pdf evinrude elan 25 hp manual 2 downloaded from analytics test makestories io on by guest cross cultural perspectives on how these issues are understood medical anthropology considers how a biocultural approach can be applied to more effective prevention and treatment efforts and underscores medical

**evinrude service manual free download boat yacht manuals** - Apr 11 2023

web feb 23 2019 need a manual for a 1998 25 hp evinrude e25rml 85 jess monday 02 august 2021 15 09

*johnson evinrude 25hp 30hp e tec outboard shop manual 2009* - Jul 02 2022

web oct 8 2020 service specifications 25 30 hp e tec models full throttle operating range rpm 25 hp 5500 to 6100 rpm 30 hp 5500 to 6100 rpm power 25 hp 30 kw 5800 rpm 30 hp 37 kw 5800 rpm

**e book evinrude elan 25 hp manual download free** - Aug 03 2022

web aug 22 2023 johnson 25 hp outboard manual download yamaha 25hp 25 hp repair manual paypervids mercury 25 hp bigfoot 4 stroke outboard service manual johnson outboard motor model numbers codes marineengine com omc evinrude outboard service manual watercraft manuals evinrude 25 e tec hp feb 22 2023 web evinrude25 hp e

**evinrudeelan25hpmanual pdf old ariavara** - Dec 27 2021

web evinrude 1 5 40 hp outboard motor service manual evinrude service manual 1971 evinrude johnson 48 235 hp ob 73 90 evinrude service manual 1977 seloc s johnson evinrude outboard evinrude 1 1 2 to 40 hp outboard motor service manual seloc johnson evinrude outboards 1958 1972 repair manuals evinrude service

**evinrude elan 25 hp manual pdf pdf red ortax** - Dec 07 2022

web evinrude elan 25 hp manual pdf introduction evinrude elan 25 hp manual pdf pdf title evinrude elan 25 hp manual pdf pdf red ortax org created date 9 1 2023 5 58 04 am

*evinrude outboard motor user manuals download manualslib* - Sep 04 2022

web download 149 evinrude outboard motor pdf manuals user manuals evinrude outboard motor operating guides and service manuals

johnson evinrude 25 hp service repair manual pdf - May 12 2023

web johnson evinrude 25 hp 1965 1978 service repair manual download now johnson evinrude 1 25 60 hp 1971 1989 service manual download now johnson evinrude 25 hp outboard 1991 1994 service manual download now johnson evinrude 25 hp outboard 1971 1989 service manual download now

**evinrude elan 25 hp manual klantenhandboek dutchgiraffe com** - Mar 30 2022

web evinrude elan 25 hp manual evinrude elan 25 hp manual 2 downloaded from klantenhandboek dutchgiraffe com on 2020 10 15 by guest chicken into the star of the dinner table take our spice cabinet chicken recipes which will simplify your grocery shopping just raid your spice cabinet for three delicious takes on roast whole chicken

**evinrude 25 hp owner s operator s manual pdf** - Aug 15 2023

web view and download evinrude 25 hp owner s operator s manual online 25 hp engine pdf manual download also for 25602 25603 25652 25653

*evinrude e tec 25hp 25 hp repair manual 2009 2012 youtube* - Jan 08 2023

web may 18 2017 an evinrude 25hp 25 hp e tec etec repair manual also termed 25 hp factory service manual 25hp shop manual or 25 horsepower workshop manual is a book of repair

*download evinrude repair manual 1957 2014 models* - Mar 10 2023

web jun 16 2017 an evinrude outboard repair manual termed evinrude factory service manual is a book of instructions outlining the process of routine maintenance and troubleshooting as well as a complete description of how to fix the boat motor back to working order it s a handbook dealership technicians and do it yourself mechanics use

**1976 johnson evinrude outboard 25 hp service repair manual** - Nov 06 2022

web this is the highly detailed factory service repair manual for the 1976 johnson evinrude outboard 25 hp this service manual has detailed illustrations as well as step by step instructions it is 100 percents complete and intact they are specifically written for the do it yourself er as well as the experienced mechanic 1976 johnson evinrude

*download evinrude 25 hp owner s operator s manual manualslib* - Jul 14 2023

web evinrude 25 hp owner s operator s manual brand evinrude category engine size 3 5 mb pages 17 this manual is also suitable for 25602 25603 25652 25653 please tick the box below to get your link get manual advertisement manualslib has

more than 211 evinrude manuals checkout popular evinrude categories outboard motor manuals