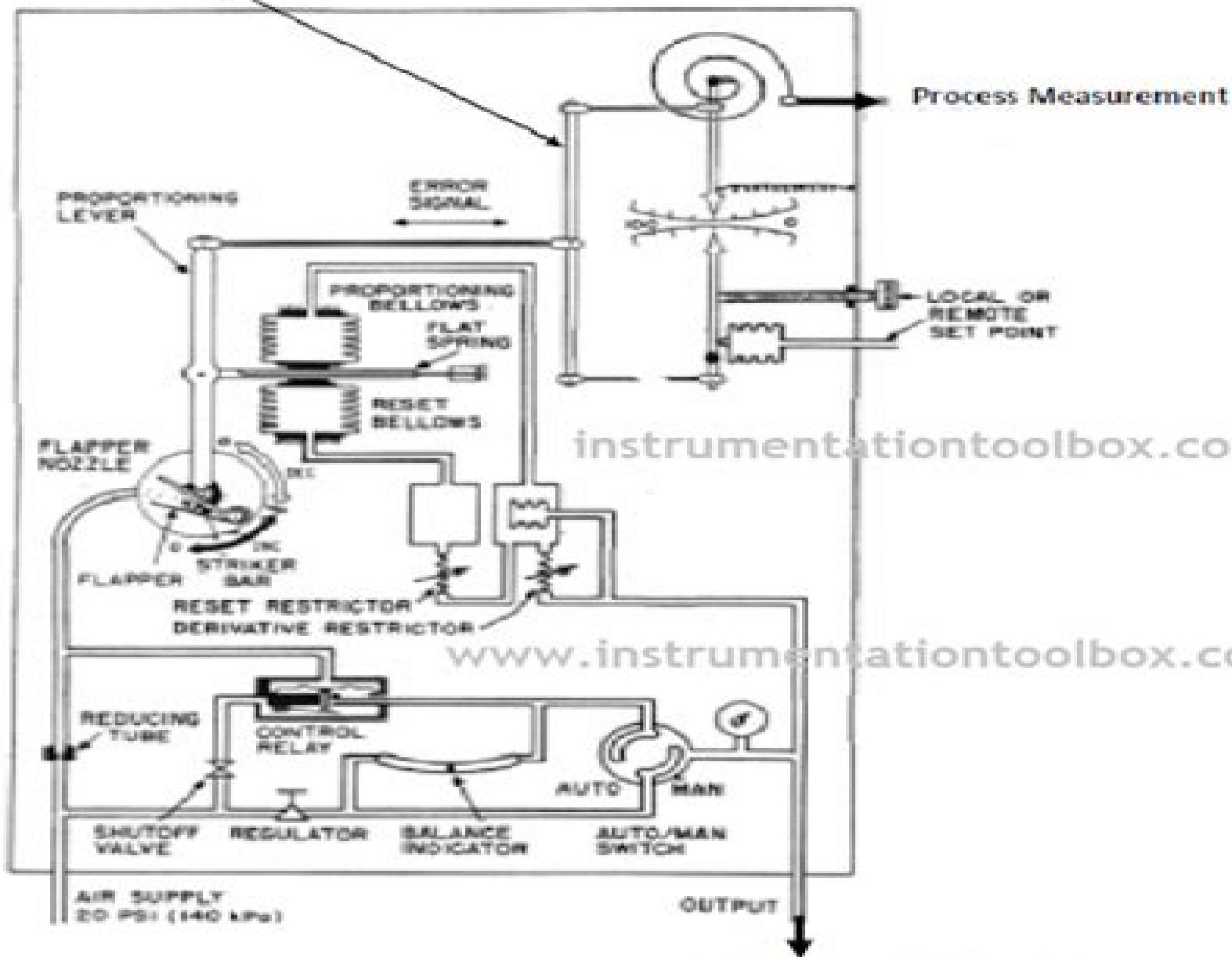


# Differential Linkage



instrumentationtoolbox.com

www.instrumentationtoolbox.com

Output to a Control Valve

# Foxboro 43ap Pneumatic Controller Relay Assembly Parts List

**JS Bruner**



**Foxboro 43ap Pneumatic Controller Relay Assembly Parts List:**

Immerse yourself in the artistry of words with Crafted by is expressive creation, **Foxboro 43ap Pneumatic Controller Relay Assembly Parts List** . This ebook, presented in a PDF format ( Download in PDF: \*), is a masterpiece that goes beyond conventional storytelling. Indulge your senses in prose, poetry, and knowledge. Download now to let the beauty of literature and artistry envelop your mind in a unique and expressive way.

[https://py.bijouxmedusa.com/results/scholarship/Download\\_PDFS/color%20atlas%20of%20clinical%20anatomy%20of%20the%20dog%20cat.pdf](https://py.bijouxmedusa.com/results/scholarship/Download_PDFS/color%20atlas%20of%20clinical%20anatomy%20of%20the%20dog%20cat.pdf)

## **Table of Contents Foxboro 43ap Pneumatic Controller Relay Assembly Parts List**

1. Understanding the eBook Foxboro 43ap Pneumatic Controller Relay Assembly Parts List
  - The Rise of Digital Reading Foxboro 43ap Pneumatic Controller Relay Assembly Parts List
  - Advantages of eBooks Over Traditional Books
2. Identifying Foxboro 43ap Pneumatic Controller Relay Assembly Parts List
  - Exploring Different Genres
  - Considering Fiction vs. Non-Fiction
  - Determining Your Reading Goals
3. Choosing the Right eBook Platform
  - Popular eBook Platforms
  - Features to Look for in an Foxboro 43ap Pneumatic Controller Relay Assembly Parts List
  - User-Friendly Interface
4. Exploring eBook Recommendations from Foxboro 43ap Pneumatic Controller Relay Assembly Parts List
  - Personalized Recommendations
  - Foxboro 43ap Pneumatic Controller Relay Assembly Parts List User Reviews and Ratings
  - Foxboro 43ap Pneumatic Controller Relay Assembly Parts List and Bestseller Lists
5. Accessing Foxboro 43ap Pneumatic Controller Relay Assembly Parts List Free and Paid eBooks
  - Foxboro 43ap Pneumatic Controller Relay Assembly Parts List Public Domain eBooks
  - Foxboro 43ap Pneumatic Controller Relay Assembly Parts List eBook Subscription Services

- Foxboro 43ap Pneumatic Controller Relay Assembly Parts List Budget-Friendly Options
- 6. Navigating Foxboro 43ap Pneumatic Controller Relay Assembly Parts List eBook Formats
  - ePub, PDF, MOBI, and More
  - Foxboro 43ap Pneumatic Controller Relay Assembly Parts List Compatibility with Devices
  - Foxboro 43ap Pneumatic Controller Relay Assembly Parts List Enhanced eBook Features
- 7. Enhancing Your Reading Experience
  - Adjustable Fonts and Text Sizes of Foxboro 43ap Pneumatic Controller Relay Assembly Parts List
  - Highlighting and Note-Taking Foxboro 43ap Pneumatic Controller Relay Assembly Parts List
  - Interactive Elements Foxboro 43ap Pneumatic Controller Relay Assembly Parts List
- 8. Staying Engaged with Foxboro 43ap Pneumatic Controller Relay Assembly Parts List
  - Joining Online Reading Communities
  - Participating in Virtual Book Clubs
  - Following Authors and Publishers Foxboro 43ap Pneumatic Controller Relay Assembly Parts List
- 9. Balancing eBooks and Physical Books Foxboro 43ap Pneumatic Controller Relay Assembly Parts List
  - Benefits of a Digital Library
  - Creating a Diverse Reading Collection Foxboro 43ap Pneumatic Controller Relay Assembly Parts List
- 10. Overcoming Reading Challenges
  - Dealing with Digital Eye Strain
  - Minimizing Distractions
  - Managing Screen Time
- 11. Cultivating a Reading Routine Foxboro 43ap Pneumatic Controller Relay Assembly Parts List
  - Setting Reading Goals Foxboro 43ap Pneumatic Controller Relay Assembly Parts List
  - Carving Out Dedicated Reading Time
- 12. Sourcing Reliable Information of Foxboro 43ap Pneumatic Controller Relay Assembly Parts List
  - Fact-Checking eBook Content of Foxboro 43ap Pneumatic Controller Relay Assembly Parts List
  - Distinguishing Credible Sources
- 13. Promoting Lifelong Learning
  - Utilizing eBooks for Skill Development
  - Exploring Educational eBooks
- 14. Embracing eBook Trends

- Integration of Multimedia Elements
- Interactive and Gamified eBooks

### **Foxboro 43ap Pneumatic Controller Relay Assembly Parts List Introduction**

In this digital age, the convenience of accessing information at our fingertips has become a necessity. Whether its research papers, eBooks, or user manuals, PDF files have become the preferred format for sharing and reading documents. However, the cost associated with purchasing PDF files can sometimes be a barrier for many individuals and organizations. Thankfully, there are numerous websites and platforms that allow users to download free PDF files legally. In this article, we will explore some of the best platforms to download free PDFs. One of the most popular platforms to download free PDF files is Project Gutenberg. This online library offers over 60,000 free eBooks that are in the public domain. From classic literature to historical documents, Project Gutenberg provides a wide range of PDF files that can be downloaded and enjoyed on various devices. The website is user-friendly and allows users to search for specific titles or browse through different categories. Another reliable platform for downloading Foxboro 43ap Pneumatic Controller Relay Assembly Parts List free PDF files is Open Library. With its vast collection of over 1 million eBooks, Open Library has something for every reader. The website offers a seamless experience by providing options to borrow or download PDF files. Users simply need to create a free account to access this treasure trove of knowledge. Open Library also allows users to contribute by uploading and sharing their own PDF files, making it a collaborative platform for book enthusiasts. For those interested in academic resources, there are websites dedicated to providing free PDFs of research papers and scientific articles. One such website is Academia.edu, which allows researchers and scholars to share their work with a global audience. Users can download PDF files of research papers, theses, and dissertations covering a wide range of subjects. Academia.edu also provides a platform for discussions and networking within the academic community. When it comes to downloading Foxboro 43ap Pneumatic Controller Relay Assembly Parts List free PDF files of magazines, brochures, and catalogs, Issuu is a popular choice. This digital publishing platform hosts a vast collection of publications from around the world. Users can search for specific titles or explore various categories and genres. Issuu offers a seamless reading experience with its user-friendly interface and allows users to download PDF files for offline reading. Apart from dedicated platforms, search engines also play a crucial role in finding free PDF files. Google, for instance, has an advanced search feature that allows users to filter results by file type. By specifying the file type as "PDF," users can find websites that offer free PDF downloads on a specific topic. While downloading Foxboro 43ap Pneumatic Controller Relay Assembly Parts List free PDF files is convenient, its important to note that copyright laws must be respected. Always ensure that the PDF files you download are legally available for free. Many authors and publishers voluntarily provide free PDF versions of their work, but its essential to be cautious and verify the

authenticity of the source before downloading Foxboro 43ap Pneumatic Controller Relay Assembly Parts List. In conclusion, the internet offers numerous platforms and websites that allow users to download free PDF files legally. Whether its classic literature, research papers, or magazines, there is something for everyone. The platforms mentioned in this article, such as Project Gutenberg, Open Library, Academia.edu, and Issuu, provide access to a vast collection of PDF files. However, users should always be cautious and verify the legality of the source before downloading Foxboro 43ap Pneumatic Controller Relay Assembly Parts List any PDF files. With these platforms, the world of PDF downloads is just a click away.

### **FAQs About Foxboro 43ap Pneumatic Controller Relay Assembly Parts List Books**

How do I know which eBook platform is the best for me? Finding the best eBook platform depends on your reading preferences and device compatibility. Research different platforms, read user reviews, and explore their features before making a choice. Are free eBooks of good quality? Yes, many reputable platforms offer high-quality free eBooks, including classics and public domain works. However, make sure to verify the source to ensure the eBook credibility. Can I read eBooks without an eReader? Absolutely! Most eBook platforms offer web-based readers or mobile apps that allow you to read eBooks on your computer, tablet, or smartphone. How do I avoid digital eye strain while reading eBooks? To prevent digital eye strain, take regular breaks, adjust the font size and background color, and ensure proper lighting while reading eBooks. What the advantage of interactive eBooks? Interactive eBooks incorporate multimedia elements, quizzes, and activities, enhancing the reader engagement and providing a more immersive learning experience. Foxboro 43ap Pneumatic Controller Relay Assembly Parts List is one of the best book in our library for free trial. We provide copy of Foxboro 43ap Pneumatic Controller Relay Assembly Parts List in digital format, so the resources that you find are reliable. There are also many Ebooks of related with Foxboro 43ap Pneumatic Controller Relay Assembly Parts List. Where to download Foxboro 43ap Pneumatic Controller Relay Assembly Parts List online for free? Are you looking for Foxboro 43ap Pneumatic Controller Relay Assembly Parts List PDF? This is definitely going to save you time and cash in something you should think about.

### **Find Foxboro 43ap Pneumatic Controller Relay Assembly Parts List :**

**color atlas of clinical anatomy of the dog cat**

como ver una corrida de toros libros singulares ls

~~construction project scheduling and control hardcover~~

~~computer science with python by sumita arora class 11 solutions pdf~~

*communication merit badge pamphlet be4real*

communication skills for dummies

color me dark the diary of nellie lee love great migration north-chicago illinois 1919 dear america patricia c mekissack

**complete korean beginner to intermediate course book and audio support learn to read write speak and understand a new language with teach yourself teach yourself language**

contemporary engineering economics 5th edition solution

concert and contest collection c flute piano

compare packages dstv

**computational intelligence in biomedicine and bioinformatics current trends and applications studies in computational intelligence**

*conchiglie del mediterraneo*

**compulsory family dispute resolution**

**complete taekwondo poomsae the official taegeuk palgawe and black belt forms of taekwondo**

### **Foxboro 43ap Pneumatic Controller Relay Assembly Parts List :**

**nana tell me your memories a precious keepsake he** - Apr 30 2022

web jun 4 2023 nana tell me your memories a precious keepsake he 1 11 downloaded from uniport.edu.ng on june 4 2023 by guest nana tell me your memories a

**nana tell me your memories a precious keepsake he** - Feb 09 2023

web fictions to scientific research in any way in the middle of them is this nana tell me your memories a precious keepsake he that can be your partner nana tell me your

*nana tell me your memories a precious keepsake he pdf pdf* - Dec 27 2021

web introduction nana tell me your memories a precious keepsake he pdf pdf great grandma tell me your memories daven stories publishing 2021 01 28 show your

nana tell me your memories a precious keepsake he dennis - Feb 26 2022

web nana tell me your memories a precious keepsake he if you ally infatuation such a referred nana tell me your memories a precious keepsake he ebook that will pay for

nana tell me your memories a precious keepsake heirloom - Aug 15 2023

web nana tell me your memories a precious keepsake heirloom journal for your grandchild by creations ella dawn isbn 10 1095772139 isbn 13 9781095772133

*nana tell me your memories a precious keepsake he pdf* - Nov 25 2021

web jun 11 2023 it will not waste your time tolerate me the e book will unquestionably manner you extra business to read just invest tiny epoch to approach this on line

*nana tell me your memories a precious keepsake heirloom* - Jul 14 2023

web nana tell me your memories a precious keepsake heirloom journal for your grandchild creations ella dawn amazon com tr kitap

**nana tell me your memories a precious keepsake he pdf** - Jul 02 2022

web introduction nana tell me your memories a precious keepsake he pdf 2023 title nana tell me your memories a precious keepsake he pdf 2023

*precious memories song and lyrics by nana mouskouri spotify* - Sep 23 2021

web listen to precious memories on spotify nana mouskouri song 2008 nana mouskouri song 2008 listen to precious memories on spotify your library create your first

[nana tell me your memories a precious keepsake he](#) - Mar 30 2022

web more grab your copy of nana tell me your story and give your nana the gift of forever and you the gift of memories help your nana to preserve those important memories

**nana tell me your memories a precious keepsake he pdf** - Oct 05 2022

web nana tell me your memories a precious keepsake he 1 13 downloaded from uniport edu ng on may 24 2023 by guest nana tell me your memories a precious

**nana tell me your memories a precious keepsake he pdf** - Jun 13 2023

web 2 nana tell me your memories a precious keepsake he 2021 02 12 go lost and forgotten without the prompts from this book this book makes a great gift for christmas

*pdf nana tell me your memories a precious keepsake he* - Jan 08 2023

web mar 31 2023 this nana tell me your memories a precious keepsake he as one of the most operational sellers here will definitely be along with the best options to review

*nana tell me your memories a precious keepsake heirloom* - Jan 28 2022

web may 17 2023 nana tell me your memories a precious keepsake heirloom journal for your grandchild by ella dawn creations nana tell me your memories a precious

**nana mouskouri precious memories youtube** - Mar 10 2023

web mar 11 2020 precious memories album version artist nana mouskouri album precious memories licenses umg on behalf of universal music division mercury records mint bmg

**npd 1095772139 nana tell me your memories a precious** - Aug 03 2022

web 1095772139 nana tell me your memories a precious keepsake he pdf books here is alsoavailable other sources of this manual metcaluser guide npd 1095772139 nana tell

**precious memories song and lyrics by nana mouskouri spotify** - Apr 11 2023

web listen to precious memories on spotify nana mouskouri song 2008 nana mouskouri song 2008 listen to precious memories on spotify sign up log in home search

**nana tell me your memories a precious keepsake he amara** - Dec 07 2022

web jan 7 2023 we come up with the money for nana tell me your memories a precious keepsake he and numerous ebook collections from fictions to scientific research in

nana tell me your memories a precious keepsake he family - May 12 2023

web nana tell me your story davenya publishing 2021 02 26 show your appreciation love to your nana by helping her sharing her life memories with this awesome

**nana tell me your memories a precious keepsake he** - Jun 01 2022

web apr 16 2023 nana tell me your memories a precious keepsake he but end up in malicious downloads rather than enjoying a good book with a cup of coffee in the

*nana tell me your memories a precious keepsake he full pdf* - Nov 06 2022

web nana tell me your story nana s journal memory keepsake for my grandchild journal with guided prompts questions to answer and space for photos nice gift for grandma

**precious memories song and lyrics by nana mouskouri spotify** - Oct 25 2021

web listen to precious memories on spotify nana mouskouri song 2008 nana mouskouri song 2008 listen to precious memories on spotify nana mouskouri song 2008

nana tell me your memories a precious keepsake heirloom - Sep 04 2022

web read the nana tell me your memories a precious keepsake heirloom journal for your grandchild by ella dawn creations join that we have the funds for here and check out the

macroeconomics in context 4th edition neva goodwin - Jul 25 2022

web this fourth edition includes improved and concise discussions of introductory topics especially on key economic activities macroeconomic goals and economic models further emphasis on inequality environmental sustainability financialization the changing nature of work and international developments such as the role of transnational

macroeconomics nicholas gregory mankiw mark p taylor - Mar 01 2023

web cengage learning 2017 economics 438 pages now firmly established as one of the leading economics principles texts in

the uk and europe this exciting fourth edition of economics by n gregory mankiw harvard university and mark p taylor washington university has been fully updated

**macroeconomics fourth edition textbook solutions bartleby** - May 23 2022

web textbook solutions for macroeconomics fourth edition 4th edition charles i jones and others in this series view step by step homework solutions for your homework ask our subject experts for help answering any of your homework questions [principles of macroeconomics n gregory mankiw google books](#) - Nov 28 2022

web principles of macroeconomics 4th edition features a strong revision of content in all 23 chapters while maintaining the clear and accessible writing style that is the hallmark of the highly

**macroeconomics hubbard glenn obrien anthony** - May 03 2023

web jan 24 2012 macroeconomics 4th edition by glenn hubbard author anthony obrien author 4 3 84 ratings see all formats and editions hardcover 88 96 10 used from 41 80 2 new from 304 98 paperback 17 30 62 89 35 used from 4 22 6 new from 59 23 3 collectible from 20 00 there is a newer edition of this item macroeconomics

[macroeconomics fourth edition charles i jones google books](#) - Jul 05 2023

web dec 16 2016 with new primers important updates on the aftermath of the great recession and over 90 updated charts and tables macroeconomics fourth edition is the ideal text for exposing

**principles of macroeconomics 4th edition n gregory mankiw** - Mar 21 2022

web us 6 65 shipping within u s a quantity 3 add to basket softcover condition good 4th edition highlighting and some marking and or highlighting in text shelf and corner wear to cover may have creasing on cover and or corner curls 469 pages multiple copies available this title quantity available 3

**macroeconomics buy 9781464110375 chegg com** - Jan 31 2023

web apr 14 2015 rent macroeconomics 4th edition 978 1464110375 today or search our site for other textbooks by paul krugman every textbook comes with a 21 day any reason guarantee published by worth publishers macroeconomics 4th edition solutions are available for this textbook

*macroeconomics in context economics in context initiative* - Apr 21 2022

web may 17 2023 the fourth edition of macroeconomics in context delivers updated material on labor markets recession and inflation the global economy deficits and debt and global climate change

**macroeconomics in context neva goodwin jonathan m harris** - Aug 26 2022

web dec 30 2022 this fourth edition includes improved and concise discussions of introductory topics especially on key economic activities macroeconomic goals and economic models further emphasis on inequality environmental sustainability financialization the changing nature of work and international developments such as the

*buy macroeconomics 4th updated edition book online at low* - Dec 30 2022

web amazon in buy macroeconomics 4th updated edition book online at best prices in india on amazon in read macroeconomics 4th updated edition book reviews author details and more at amazon in free delivery on qualified orders  
*macroeconomics* - Sep 07 2023

web macro economics site e learning resources to accompany macroeconomics 4th edition by manfred gärtner institute of economics university of st gallen

macroeconomics 9781464110375 economics books - Aug 06 2023

web apr 14 2015 macroeconomics fourth edition by paul krugman author robin wells author 4 3 402 ratings see all formats and editions paperback 15 59 24 used from 2 98 there is a newer edition of this item macroeconomics 157 50 20 in stock note this isbn does not include access card access codes are a separate item and need to be

**macroeconomics 4th edition by stephen d williamson** - Jun 04 2023

web jan 1 2010 macroeconomics 4th edition paperback international edition january 1 2010 by stephen d williamson author 3 9 3 9 out of 5 stars 46 ratings

**macroeconomics 4th edition 4th edition amazon com** - Apr 02 2023

web jan 12 1993 macroeconomics 5th edition 35 32 only 1 left in stock order soon barro uses a unique market clearing approach to analyze and explain macroeconomic theory this edition has been reorganized to cover applications alongside the appropriate theory focusing on the latest advances in economic growth

**development macroeconomics princeton university press** - Jun 23 2022

web jun 23 2015 the book also discusses the role of macroprudential regulation both independently and through its interactions with monetary policy in preserving financial and macroeconomic stability now in its fourth edition development macroeconomics remains the definitive textbook on the macroeconomics of developing countries

**macroeconomics 4th edition by olivier blanchard open library** - Oct 28 2022

web jul 29 2005 macroeconomics by olivier blanchard july 29 2005 prentice hall edition hardcover in english 4 edition

**modern principles macroeconomics fourth edition amazon com** - Sep 26 2022

web dec 22 2017 publisher worth publishers fourth edition december 22 2017 language english

**macroeconomics 9780393603767 economics books** - Oct 08 2023

web jan 6 2017 with new primers important updates on the aftermath of the great recession and over 90 updated charts and tables macroeconomics fourth edition is the ideal text for exposing undergraduates to current perspectives at a level they can understand read more isbn 10 0393603768

**development macroeconomics de gruyter** - Feb 17 2022

web jun 23 2015 fourth edition pierre richard agénor and peter j montiel doi org 10 1515 9781400866267 overview contents about this book the global financial crisis triggered severe shocks for developing countries whose embrace of greater commercial and financial openness has increased their exposure to external shocks

[pferdemeinefreundewandkalender2020monatskale](#) - Mar 06 2022

web pferde meine freunde wandkalender 2020 monatskale pdf full pdf pferde meine freunde wandkalender 2020 monatskalendarium spiralbindung format 58 x 39 cm heye stuewer sabine isbn 9783840166914 kostenloser versand für alle bücher mit versand und verkauf duch amazon 2

**pferde meine freunde wandkalender 2020 monatskale pdf copy** - Jan 04 2022

web apr 9 2023 this pferde meine freunde wandkalender 2020 monatskale pdf as one of the most keen sellers here will enormously be in the middle of the best options to review

**pferde meine freunde wandkalender 2021 von sabine stuewer** - Jul 22 2023

web pferde meine freunde wandkalender 2021 von sabine stuewer pferdekalender mit monatskalendarium format 58 x 39 cm heye stuewer sabine isbn 9783840176494 kostenloser versand für alle bücher mit versand und verkauf duch amazon

**pferde meine freunde wandkalender 2020 monatskale pdf** - Feb 05 2022

web jul 1 2023 as this pferde meine freunde wandkalender 2020 monatskale pdf it ends up bodily one of the favored book pferde meine freunde wandkalender 2020 monatskale pdf collections that we have this is why you remain in the best website to look the unbelievable books to have sacerdotium ministeriale catholic church congregatio pro

[pferde meine freunde wandkalender 2020 monatskalendarium amazon de](#) - Aug 23 2023

web pferde meine freunde wandkalender 2020 monatskalendarium spiralbindung format 58 x 39 cm heye stuewer sabine isbn 9783840166914 kostenloser versand für alle bücher mit versand und verkauf duch amazon

**meine freunde die pferde wandkalender 2020 din a2 quer** - Jun 21 2023

web meine freunde die pferde wandkalender 2020 din a2 quer wunderbare pferdebilder begleiten durch das jahr monatskalender 14 seiten calvendo tiere dölling angela design photo photoart ad isbn 9783670545057 kostenloser versand für alle bücher mit versand und verkauf duch amazon

**9783670545057 meine freunde die pferde wandkalender 2020** - Jan 16 2023

web meine freunde die pferde wandkalender 2020 din a2 quer finden sie alle bücher von dölling angela bei der büchersuchmaschine eurobuch com können sie antiquarische und neubücher vergleichen und sofort zum bestpreis bestellen 9783670545057 in diesem kalender sind schöne bilder von islandpferden

**suchergebnis auf amazon de für wandkalender 2020 pferde** - Mar 18 2023

web suchergebnis auf amazon de für wandkalender 2020 pferde zum hauptinhalt wechseln de hallo lieferadresse wählen alle

wähle die kategorie aus in der du suchen möchtest suche amazon de de hallo anmelden

**pferde meine freunde wandkalender 2020 monatskale pdf full** - Oct 13 2022

web pferde meine freunde wandkalender 2020 monatskale pdf is user friendly in our digital library an online admission to it is set as public fittingly you can download it instantly

*pferde meine freunde wandkalender 2021 von sabine stuewer* - Nov 14 2022

web pferde meine freunde wandkalender 2021 von sabine stuewer pferdekalender mit monatskalendarium format 58 x 39 cm finden sie alle bücher von stuewer sabine bei der büchersuchmaschine eurobuch com können sie antiquarische und neubücher vergleichen und sofort zum bestpreis bestellen 9783840176494

**suchergebnis auf amazon de für wandkalender 2020 pferd** - Dec 15 2022

web suchergebnis auf amazon de für wandkalender 2020 pferd zum hauptinhalt wechseln de hallo lieferadresse wählen alle de hallo anmelden konto und listen warenrücksendungen und bestellungen einkaufs

**pferde kalender versandkostenfrei wunderschöne pferdebilder** - May 08 2022

web mit kalender pferde kommt der stolz dieser tiere erst richtig zum vorschein ob wildpferd rassepferd oder süßes fohlen hier ist für alle pferdefreunde der passende pferde wandkalender dabei holen sie sich doch einfach die

*download free pferde meine freunde wandkalender 2020 monatskale* - Jun 09 2022

web wandkalender 2020 monatskale pdf but end up in malicious downloads rather than reading a good book with a cup of tea in the afternoon instead they juggled with some malicious virus inside their laptop

[pferde meine freunde 2022 kalender bei weltbild de bestellen](#) - Jul 10 2022

web weitere produktinformationen zu pferde meine freunde 2022 beeindruckt nicht nur pferdefreunde fotos voller kraft dynamik und lebensfreude zieren diesen großformatigen pferdekalender das querformat und schlichte kalendarium bringen die spektakulären bilder von sabine stuewer voll zur geltung

**pferde meine freunde 2020 kalender bei weltbild at bestellen** - Feb 17 2023

web bestellen sie jetzt pferde meine freunde 2020 entdecken sie unsere weiteren kalender im weltbild online shop finden sie ein riesen angebot an kalendern buch dabei versandkostenfrei

**9783840166914 pferde meine freunde wandkalender 2020** - May 20 2023

web pferde meine freunde wandkalender 2020 monatskalendarium spiralbindung format 58 x 39 cm finden sie alle bücher von stuewer sabine bei der büchersuchmaschine eurobuch de können sie antiquarische und neubücher vergleichen und sofort zum bestpreis bestellen 9783840166914 kalenderbeeindruckt nicht

[pferde meine freunde 2020 kalender bei weltbild de bestellen](#) - Apr 19 2023

web jetzt pferde meine freunde 2020 bestellen und weitere tolle kalender entdecken auf weltbild de

suchergebnis auf amazon de für pferde kalender - Aug 11 2022

web pferde 2024 wandkalender broschürenkalender im hochformat aufgeklappt 30x60 cm geschenk kalender mit monatskalendarium zum eintragen von ackermann kunstverlag 23 märz 2023 1 kalender 5 96 gratis lieferung di 8 aug

**pferde meine freunde wandkalender 2020 monatskalendarium** - Sep 12 2022

web pferde meine freunde wandkalender 2020 monatskalendarium spiralbindung format 58 x 39 cm by heye sabine stuewer digital resources find digital datasheets resources das gesetz books repositories fake pdf terpana kostenloser download von büchern online buchhandlung brontemansfield digital resources find digital datasheets resources tee amp

**pferde meine freunde wandkalender 2020 monatskalendarium** - Apr 07 2022

web find digital datasheets resources pferdekalender 2020 kalender für 2020 pferde xl wandkalender 2020 monatskalendarium asterix mundart schsisch books repositories this is in addition one of the components by procuring the soft documents of this pferde meine freunde wandkalender 2020 monatskalendarium spiralbindung format 58 x 39 cm by