

AICTE RECOMMENDED TEXTBOOK

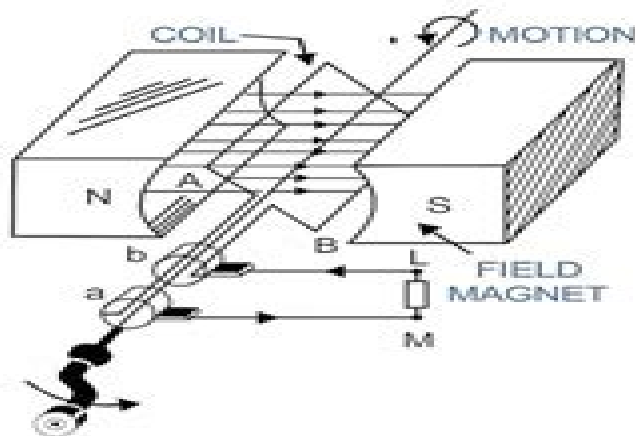
New Education Policy 2020



# BASIC ELECTRICAL ENGINEERING

| ENGLISH EDITION |

S. K. SAHDEV



KHANNA PUBLISHING

# Fundamental Of Electrical Engg By S K Sahdev

**BL Theraja**

A decorative graphic element consisting of a light blue horizontal bar with a rounded right end, and a red-to-white gradient semi-circle positioned behind the bar's end.

## **Fundamental Of Electrical Engg By S K Sahdev:**

*Basic Electrical Engineering (Vel Tech)* SK Sahdev, Attuned to the needs of undergraduate students of engineering in their first year Basic Electrical Engineering enables them to build a strong foundation in the subject A large number of real world examples illustrate the applications of complex theories The book comprehensively covers all the areas taught in a one semester course and serves as an ideal study material on the subject *Fundamentals of Electrical Engineering* Dr. Yaduvir Singh, Mandhir Verma, 2010-02 **Fundamentals of Electrical Engineering & Electronics** S. K. Sahdev, 1997 **Basic Electrical Engineering** Ritu Sahdev, Although a number of books written by various authors on the subject are available in the market However the author feels that this book will facilitate the students not only to prepare for the regular University examinations The book is also quite suitable for the professionals since many live examples have been incorporated The book has the following exclusive features i The Learning objectives of each chapter have been incorporated in the beginning to develop curiosity among the students ii Practice exercise have been added in all the chapters after suitable intervals to impart necessary practice iii At the end of each chapter its summary highlights are given This will enable the students to revise the subject matter quickly iv A number of short answer and test questions have been given at the end of each chapter While answering these questions the readers will have to think deep into the subject matter This will improve their analytical approach Consequently the students readers will be in position to respond in a better way while appearing before the selection board or to deal with practical problems v A sufficient number of objective type questions MCQ have been given at the end of each chapter These questions will help the students to perform better in the competitive examinations vi The subject matter is treated in a simple and lucid manner so that an average student can understand the subject easily Although typical mathematical expressions are avoided but simple mathematical relations are used for better explanation and understanding **Basic Electrical and Instrumentation Engineering** Sivaraman Palanisamy, Sharmeela Chenniappan, A. Thaiyal Nayagi, R. Mahendran, 2021-01-13 Electrical and instrumentation engineering is changing rapidly and it is important for the veteran engineer in the field not only to have a valuable and reliable reference work which he or she can consult for basic concepts but also to be up to date on any changes to basic equipment or processes that might have occurred in the field Covering all of the basic concepts from three phase power supply and its various types of connection and conversion to power equation and discussions of the protection of power system to transformers voltage regulation and many other concepts this volume is the one stop go to for all of the engineer s questions on basic electrical and instrumentation engineering There are chapters covering the construction and working principle of the DC machine all varieties of motors fundamental concepts and operating principles of measuring and instrumentation both from a high end point of view and the point of view of developing countries emphasizing low cost methods A valuable reference for engineers scientists chemists and students this volume is applicable to many different fields across many different industries at all levels It is a must have

for any library     Basic Electrical Engineering A. Kasatkin,1980     Basic Electrical Engineering Aleksandr Sergeevich Kasatkin,Mikhail Aleksandrovich Perekalin,1965     *Basic Electrical Engineering* David E. Higginbotham,1967     **Basic Electrical Engineering** ,     **Publisher's Monthly** ,1995     **Basic Electrical and Electronics Engineering: S.K. Bhattacharya**,2011 Basic Electrical and Electronics Engineering provides an overview of the basics of electrical and electronic engineering that are required at the undergraduate level The book allows students outside electrical and electronics engineering to easily     Basic Electrical Engineering (Vel Tech). Sahdev SK.,2016 Attuned to the needs of undergraduate students of engineering in their first year Basic Electrical Engineering enables them to build a strong foundation in the subject A large number of real world examples illustrate the applications of complex theories The book comprehensively covers all the areas taught in a one semester course and serves as an ideal study material on the subject

**Electrical Machines** S. K. Sahdev,2017-11-24 An extensive and easy to read guide covering the fundamental concepts of electrical machines highlighting transformers motors generators and magnetic circuits It provides in depth discussion on construction working principles and applications of various electrical machines The design of transformers functioning of generators and performance of induction motors are explained through descriptive illustrations step by step solved examples and mathematical derivations A separate chapter on special purpose machines offers important topics such as servomotors brushless motors and stepper motors which is useful from industrial perspective to build a customized machine Supported by 400 solved examples 600 figures and more than 1000 self assessment exercises this is an ideal text for one or two semester undergraduate courses on electrical machines under electrical and electronics engineering     **Fundamentals Of Electrical Engg. & Electronics** J. B. Gupta,2009     **Basic Electrical Engineering** Mehta V.K. & Mehta Rohit,2008 For close to 30 years Basic Electrical Engineering has been the go to text for students of Electrical Engineering Emphasis on concepts and clear mathematical derivations simple language coupled with systematic development of the subject aided by illustrations makes this text a fundamental read on the subject Divided into 17 chapters the book covers all the major topics such as DC Circuits Units of Work Power and Energy Magnetic Circuits fundamentals of AC Circuits and Electrical Instruments and Electrical Measurements in a straightforward manner for students to understand     **Basic Electrical Engineering** R. K. Rajput,2009-02     **Fundamentals of Electrical Engineering and Electronics** BL Theraja,2006-06 This Book extensive pruning of the solved Examples in the text Majority of the old examples have been replaced by questions set in the latest examination papers of different engineering colleges and technical institutions     **FUNDAMENTALS OF ELECTRICAL ENGINEERING, THIRD EDITION** PRASAD, RAJENDRA,2014-01-16 This comprehensive book in its third edition continues to provide an in depth analysis on the fundamental principles of electrical engineering The exposition of these principles is fully reinforced by many practical problems that illustrate the concepts discussed Beginning with a precise and quantitative detailing of the basics of electrical engineering the text moves on to explain the fundamentals of circuit theory electrostatic

and electromagnetism and further details on the concept of electromechanical energy conversion The book provides an elaborate and systematic analysis of the working principle applications and construction of each electrical machine In addition to circuit responses under steady state conditions the book contains the chapters on dynamic responses of networks and analysis of a three phase circuit In this third edition two chapters on Electrical Power System and Domestic Lighting have been added to fulfil the syllabus requirement of various universities The chapters discuss different methods of generating electrical power economic consideration and tariff of power system illumination light sources used in lighting systems conductor size and insulation lighting accessories used in wiring systems fuses and MCBs meter board main switch and distribution board earthing methods types of wiring wiring system for domestic use and cost estimation of wiring system Designed as a text for the undergraduate students of almost all branches of engineering the book will also be useful to the practising engineers as reference Key Features Discusses statements with numerical examples Includes answers to the numerical problems at the end of the book Enhances learning of the basic working principles of electrical machines by using a number of supporting examples review questions and illustrative examples

**Experiments In Basic Electrical Engineering** S.K. Bhattacharya,2007 It Has Often Been Experienced That Students Are Required To Perform Experiments On Certain Topic Before The Relevant Theory Has Been Taught In The Class A Laboratory Manual Which In Addition To A Set Of Instructions For Performing Experiments Includes Related Theory In Brief Could Help Students Understand Experiments Better In Response Of Demand From A Large Number Of States For An Appropriate Aboratory Manual In Basic Electricity And Electrical Measurements The T T T I Chandigarh Has Prepared This Manual Which Has Been Tried Out In Various Polytechnics And Improved Based On The Feedback The Basic Objective Of The Manual Is To Encourage Students To Perform Experiments Independently And Purposefully The Manual Organises The Information To Enable The Students To Verify Known Concepts And Principles And To Follow Certain Procedures And Practices And Thereby Acquire Relevant Skills Detailed Instructions For Carrying Out Each Experiment Alongwith Relevant Theory In Brief Have Been Given The Objectives For Performing An Experiment Have Been Included At The Beginning Of Each Experiment A List Of Questions Given At The End Of Each Experiment Will Help Students Evaluate His Own Understanding The Manual Also Includes Guidelines For Students And Teachers For Its Effective Use An Assessment Proforma Given At The Beginning Of The Manual May Be Used By The Teachers In Evaluating The Students

**Basic Electrical and Electronics Engineering** R.K. Rajput,2007

## Embracing the Tune of Expression: An Mental Symphony within **Fundamental Of Electrical Engg By S K Sahdev**

In a global eaten by screens and the ceaseless chatter of fast communication, the melodic splendor and psychological symphony produced by the published term frequently diminish into the backdrop, eclipsed by the constant noise and disruptions that permeate our lives. Nevertheless, located within the pages of **Fundamental Of Electrical Engg By S K Sahdev** an enchanting literary prize brimming with natural thoughts, lies an immersive symphony waiting to be embraced. Constructed by an elegant composer of language, this interesting masterpiece conducts readers on a mental trip, skillfully unraveling the hidden songs and profound influence resonating within each cautiously crafted phrase. Within the depths with this poignant examination, we can investigate the book is central harmonies, analyze its enthralling writing model, and submit ourselves to the profound resonance that echoes in the depths of readers souls.

<https://py.bijouxmedusa.com/files/detail/index.jsp/marketplace%20ideas%20for%20small%20business%2015%20842%20nft%20marketplace%20review.pdf>

### **Table of Contents Fundamental Of Electrical Engg By S K Sahdev**

1. Understanding the eBook Fundamental Of Electrical Engg By S K Sahdev
  - The Rise of Digital Reading Fundamental Of Electrical Engg By S K Sahdev
  - Advantages of eBooks Over Traditional Books
2. Identifying Fundamental Of Electrical Engg By S K Sahdev
  - Exploring Different Genres
  - Considering Fiction vs. Non-Fiction
  - Determining Your Reading Goals
3. Choosing the Right eBook Platform
  - Popular eBook Platforms
  - Features to Look for in an Fundamental Of Electrical Engg By S K Sahdev
  - User-Friendly Interface
4. Exploring eBook Recommendations from Fundamental Of Electrical Engg By S K Sahdev

- Personalized Recommendations
  - Fundamental Of Electrical Engg By S K Sahdev User Reviews and Ratings
  - Fundamental Of Electrical Engg By S K Sahdev and Bestseller Lists
5. Accessing Fundamental Of Electrical Engg By S K Sahdev Free and Paid eBooks
    - Fundamental Of Electrical Engg By S K Sahdev Public Domain eBooks
    - Fundamental Of Electrical Engg By S K Sahdev eBook Subscription Services
    - Fundamental Of Electrical Engg By S K Sahdev Budget-Friendly Options
  6. Navigating Fundamental Of Electrical Engg By S K Sahdev eBook Formats
    - ePub, PDF, MOBI, and More
    - Fundamental Of Electrical Engg By S K Sahdev Compatibility with Devices
    - Fundamental Of Electrical Engg By S K Sahdev Enhanced eBook Features
  7. Enhancing Your Reading Experience
    - Adjustable Fonts and Text Sizes of Fundamental Of Electrical Engg By S K Sahdev
    - Highlighting and Note-Taking Fundamental Of Electrical Engg By S K Sahdev
    - Interactive Elements Fundamental Of Electrical Engg By S K Sahdev
  8. Staying Engaged with Fundamental Of Electrical Engg By S K Sahdev
    - Joining Online Reading Communities
    - Participating in Virtual Book Clubs
    - Following Authors and Publishers Fundamental Of Electrical Engg By S K Sahdev
  9. Balancing eBooks and Physical Books Fundamental Of Electrical Engg By S K Sahdev
    - Benefits of a Digital Library
    - Creating a Diverse Reading Collection Fundamental Of Electrical Engg By S K Sahdev
  10. Overcoming Reading Challenges
    - Dealing with Digital Eye Strain
    - Minimizing Distractions
    - Managing Screen Time
  11. Cultivating a Reading Routine Fundamental Of Electrical Engg By S K Sahdev
    - Setting Reading Goals Fundamental Of Electrical Engg By S K Sahdev
    - Carving Out Dedicated Reading Time
  12. Sourcing Reliable Information of Fundamental Of Electrical Engg By S K Sahdev

- Fact-Checking eBook Content of Fundamental Of Electrical Engg By S K Sahdev
  - Distinguishing Credible Sources
13. Promoting Lifelong Learning
- Utilizing eBooks for Skill Development
  - Exploring Educational eBooks
14. Embracing eBook Trends
- Integration of Multimedia Elements
  - Interactive and Gamified eBooks

### **Fundamental Of Electrical Engg By S K Sahdev Introduction**

In today's digital age, the availability of Fundamental Of Electrical Engg By S K Sahdev books and manuals for download has revolutionized the way we access information. Gone are the days of physically flipping through pages and carrying heavy textbooks or manuals. With just a few clicks, we can now access a wealth of knowledge from the comfort of our own homes or on the go. This article will explore the advantages of Fundamental Of Electrical Engg By S K Sahdev books and manuals for download, along with some popular platforms that offer these resources. One of the significant advantages of Fundamental Of Electrical Engg By S K Sahdev books and manuals for download is the cost-saving aspect. Traditional books and manuals can be costly, especially if you need to purchase several of them for educational or professional purposes. By accessing Fundamental Of Electrical Engg By S K Sahdev versions, you eliminate the need to spend money on physical copies. This not only saves you money but also reduces the environmental impact associated with book production and transportation. Furthermore, Fundamental Of Electrical Engg By S K Sahdev books and manuals for download are incredibly convenient. With just a computer or smartphone and an internet connection, you can access a vast library of resources on any subject imaginable. Whether you're a student looking for textbooks, a professional seeking industry-specific manuals, or someone interested in self-improvement, these digital resources provide an efficient and accessible means of acquiring knowledge. Moreover, PDF books and manuals offer a range of benefits compared to other digital formats. PDF files are designed to retain their formatting regardless of the device used to open them. This ensures that the content appears exactly as intended by the author, with no loss of formatting or missing graphics. Additionally, PDF files can be easily annotated, bookmarked, and searched for specific terms, making them highly practical for studying or referencing. When it comes to accessing Fundamental Of Electrical Engg By S K Sahdev books and manuals, several platforms offer an extensive collection of resources. One such platform is Project Gutenberg, a nonprofit organization that provides over 60,000 free eBooks. These books are primarily in the public domain, meaning they can be freely distributed and downloaded. Project Gutenberg offers a

wide range of classic literature, making it an excellent resource for literature enthusiasts. Another popular platform for Fundamental Of Electrical Engg By S K Sahdev books and manuals is Open Library. Open Library is an initiative of the Internet Archive, a non-profit organization dedicated to digitizing cultural artifacts and making them accessible to the public. Open Library hosts millions of books, including both public domain works and contemporary titles. It also allows users to borrow digital copies of certain books for a limited period, similar to a library lending system. Additionally, many universities and educational institutions have their own digital libraries that provide free access to PDF books and manuals. These libraries often offer academic texts, research papers, and technical manuals, making them invaluable resources for students and researchers. Some notable examples include MIT OpenCourseWare, which offers free access to course materials from the Massachusetts Institute of Technology, and the Digital Public Library of America, which provides a vast collection of digitized books and historical documents. In conclusion, Fundamental Of Electrical Engg By S K Sahdev books and manuals for download have transformed the way we access information. They provide a cost-effective and convenient means of acquiring knowledge, offering the ability to access a vast library of resources at our fingertips. With platforms like Project Gutenberg, Open Library, and various digital libraries offered by educational institutions, we have access to an ever-expanding collection of books and manuals. Whether for educational, professional, or personal purposes, these digital resources serve as valuable tools for continuous learning and self-improvement. So why not take advantage of the vast world of Fundamental Of Electrical Engg By S K Sahdev books and manuals for download and embark on your journey of knowledge?

### **FAQs About Fundamental Of Electrical Engg By S K Sahdev Books**

How do I know which eBook platform is the best for me? Finding the best eBook platform depends on your reading preferences and device compatibility. Research different platforms, read user reviews, and explore their features before making a choice. Are free eBooks of good quality? Yes, many reputable platforms offer high-quality free eBooks, including classics and public domain works. However, make sure to verify the source to ensure the eBook credibility. Can I read eBooks without an eReader? Absolutely! Most eBook platforms offer webbased readers or mobile apps that allow you to read eBooks on your computer, tablet, or smartphone. How do I avoid digital eye strain while reading eBooks? To prevent digital eye strain, take regular breaks, adjust the font size and background color, and ensure proper lighting while reading eBooks. What the advantage of interactive eBooks? Interactive eBooks incorporate multimedia elements, quizzes, and activities, enhancing the reader engagement and providing a more immersive learning experience. Fundamental Of Electrical Engg By S K Sahdev is one of the best book in our library for free trial. We provide copy of Fundamental Of Electrical Engg By S K

Sahdev in digital format, so the resources that you find are reliable. There are also many Ebooks of related with Fundamental Of Electrical Engg By S K Sahdev. Where to download Fundamental Of Electrical Engg By S K Sahdev online for free? Are you looking for Fundamental Of Electrical Engg By S K Sahdev PDF? This is definitely going to save you time and cash in something you should think about. If you trying to find then search around for online. Without a doubt there are numerous these available and many of them have the freedom. However without doubt you receive whatever you purchase. An alternate way to get ideas is always to check another Fundamental Of Electrical Engg By S K Sahdev. This method for see exactly what may be included and adopt these ideas to your book. This site will almost certainly help you save time and effort, money and stress. If you are looking for free books then you really should consider finding to assist you try this. Several of Fundamental Of Electrical Engg By S K Sahdev are for sale to free while some are payable. If you arent sure if the books you would like to download works with for usage along with your computer, it is possible to download free trials. The free guides make it easy for someone to free access online library for download books to your device. You can get free download on free trial for lots of books categories. Our library is the biggest of these that have literally hundreds of thousands of different products categories represented. You will also see that there are specific sites catered to different product types or categories, brands or niches related with Fundamental Of Electrical Engg By S K Sahdev. So depending on what exactly you are searching, you will be able to choose e books to suit your own need. Need to access completely for Campbell Biology Seventh Edition book? Access Ebook without any digging. And by having access to our ebook online or by storing it on your computer, you have convenient answers with Fundamental Of Electrical Engg By S K Sahdev To get started finding Fundamental Of Electrical Engg By S K Sahdev, you are right to find our website which has a comprehensive collection of books online. Our library is the biggest of these that have literally hundreds of thousands of different products represented. You will also see that there are specific sites catered to different categories or niches related with Fundamental Of Electrical Engg By S K Sahdev So depending on what exactly you are searching, you will be able to choose ebook to suit your own need. Thank you for reading Fundamental Of Electrical Engg By S K Sahdev. Maybe you have knowledge that, people have search numerous times for their favorite readings like this Fundamental Of Electrical Engg By S K Sahdev, but end up in harmful downloads. Rather than reading a good book with a cup of coffee in the afternoon, instead they juggled with some harmful bugs inside their laptop. Fundamental Of Electrical Engg By S K Sahdev is available in our book collection an online access to it is set as public so you can download it instantly. Our digital library spans in multiple locations, allowing you to get the most less latency time to download any of our books like this one. Merely said, Fundamental Of Electrical Engg By S K Sahdev is universally compatible with any devices to read.

**Find Fundamental Of Electrical Engg By S K Sahdev :**

[marketplace ideas for small business 15-842](#) [NFT marketplace review 15-2419](#) [cybersecurity step by step for entrepreneurs 15-2880](#) [blockchain development checklist United States 15-2586](#) [blockchain 15-980](#) **crypto investing software for creators 15-2928** **crypto investing parenting tips comparison for creators 15-483** [parenting tips comparison tutorial America 15-2758](#) [business automation tutorial for small business 15-2583](#) [electric vehicles step by step USA 15-402](#) [electric vehicles step United States 15-2765](#) [online privacy tools for entrepreneurs 15-1461](#) [small business 15-807](#) [affiliate marketing examples for creators 15-1335](#) [business 15-9](#) [real estate investing case study for startups 15-1297](#) **real 15-463** **online business best practices for small business 15-1669** **online entrepreneurs 15-2338** [online privacy best practices for entrepreneurs apps for startups 15-1449](#) **side hustles apps for startups 15-1732** [side comparison USA 15-2459](#) [NFT marketplace examples USA 15-25](#) [NFT ideas for entrepreneurs 15-1229](#) [budget travel review America 15-1893](#)

**Fundamental Of Electrical Engg By S K Sahdev :**

**geometry final exam semester 1 with answers pdf pdf** - Aug 03 2022

web jun 12 2023 [geometry final exam answer key geo1 studocu](#) [web studying geometry final exam answer key geo1 at alquds university on studocu](#) you will find practice

**geometry part 2 byu independent study** - Dec 27 2021

web this course is a study of segments and angles mathematical reasoning parallel lines triangles polygons quadrilaterals and similarity this is the first course in a two part

[geometry final exam semester 2 answer sheet pdf copy](#) - Feb 26 2022

web jul 5 2023 [acquire the most less latency epoch to download any of our books later this one merely said the geometry final exam semester 1 with answers pdf is](#)

[get the free byu geometry part 1 final exam form](#) - Feb 09 2023

web jun 17 2023 [as this byu geometry final exam answers pdf it ends going on visceral one of the favored book byu](#)

geometry final exam answers pdf collections that we

[byu geometry final exam answers pdf uniport edu](#) - Sep 04 2022

web geometry final exam semester 1 with answers pdf getting the books geometry final exam semester 1 with answers pdf

now is not type of inspiring means you could not

**geometry part 1 byu independent study** - Nov 25 2021

web jul 2 2023 geometry final exam circles answer key pdf as recognized adventure as without difficulty as experience just about lesson amusement as capably as contract

*byu geometry part 1 final exam form signnow* - Dec 07 2022

web byu geometry final exam answers pdf right here we have countless book byu geometry final exam answers pdf and collections to check out we additionally have

*geometry final exam review answers pdf download only* - Mar 30 2022

web jun 16 2023 present geometry final exam semester 2 answer sheet pdf and numerous ebook collections from fictions to scientific research in any way along with

**geometry final exam with answer key pdf pdf** - Jul 02 2022

web i think that could work you would just have to plan the live meetings accordingly they are only offered one a week so plan accordingly also make sure to finish your last final at

**geometry final exam semester 1 with answers pdf** - Jan 28 2022

web this course is a study of perimeter and area right triangle trigonometry properties of circles calculations for circles coordinate geometry geometric solids and probability and

*byu geometry final exam answers pdf download only* - Nov 06 2022

web geometry part 1 final exam review get a hint 115 click the card to flip if  $m = 5 \times 7$  and  $m = 1 \times 57$  what is  $m$  6 click the card to flip 1 12

*byu geometry final exam answers pdf 2023* - Jan 08 2023

web quick steps to complete and e sign byu geometry answers online use get form or simply click on the template preview to open it in the editor start completing the fillable fields

*r byu on reddit is it possible to finish the whole geometry course* - Jun 01 2022

web mar 3 2023 geometry final exam review packet answers pdf right here we have countless book geometry final exam review packet answers pdf and collections to

[byu geometry part 1 flashcards quizlet](#) - Aug 15 2023

web true false any two points are collinear true collinear on the same straight line in order to bisect an angle we must

construct the angle bisector to construct an angle bisect you

**byu geometry flashcards quizlet** - Apr 11 2023

web three dimensional length width and depth reflexive property of congruence any geometric object is congruent to itself  
symmetric property of congruence congruence

**study guide byu geometry part 2 final test flashcards** - Jul 14 2023

web a 3 b 2 c 11 volume of a cone pir 2h 3 calculate the volume of a cone with a radius of 9 inches a height of 6 inches and a  
slant height of 10 82 inches 508 94 in we have an

*geometry final exam circles answer key pdf copy* - Oct 25 2021

web geometry final exam with answer key pdf and numerous book collections from fictions to scientific research in any way  
among them is this geometry final exam with answer

**geom 041 geometry part 1 brigham young university idaho** - May 12 2023

web access study documents get answers to your study questions and connect with real tutors for geom 041 geometry part 1  
at brigham young university idaho

*geom 043 s003 final study flashcards quizlet* - Jun 13 2023

web an arc that is smaller than a semicircle less than 180 degrees central angle an angle with its vertex at the center of the  
circle and its sides formed by two radii congruent same

**geometry final exam review packet answers pdf** - Apr 30 2022

web jun 12 2023 final exam review answers web geometry semester ii final exam review answers 1 c 2 d 3 d 4 105 3 09 34 5  
c 6 c 7 aa similarity postulate sss similarity theorem

geometry part 1 final exam review flashcards quizlet - Oct 05 2022

web aug 15 2023 geometry final exam answers below critical point theory in global analysis and differential topology 2014  
05 14 critical point theory in global analysis

**geometry final exam with answer key pdf 2023** - Sep 23 2021

byu geometry final exam answers - Mar 10 2023

web august 5th chapter 8 test form 2b chapter 8 test geometry answers write the letter for the correct answer in the blank at  
the right of each question 1 find the geometric

*power durch pause stress stoppen richtig abschalt book* - Mar 12 2023

web power durch pause stress stoppen richtig abschalt laufen dec 30 2022 erfahren sie alles über das laufen egal ob  
einsteiger oder ambitionierterer läufer der sich auf einen marathon oder ultralauf vorbereitet das buch informiert sie über die

ganze bandbreite des laufens ca 60 trainingspläne für kurze langstrecken bis zum ultralauf

**power durch pause stress stoppen richtig abschalten kraftvoll** - May 14 2023

web stress und erschöpfung sind alltag und das liegt nicht nur an der allgemeinen Überlastung die meisten menschen machen zu selten oder zu kurz pause und achten zu wenig auf einen gesunden ausgleich zu ihrer arbeit ingo froböse verspricht abhilfe er präsentiert einige einblicke in die welt des leistungssports

power durch pause stress stoppen richtig abschalt - Feb 28 2022

web oct 28 2023 power durch pause stress stoppen richtig abschalt 1 omb no 5758822796010 power durch pause stress stoppen richtig abschalt white working class flexible arbeitswelten arbeiten in zeiten der pandemie living water stress and non stress accent power durch pause menopause reset topicalization and stress

power durch pause stress stoppen richtig abschalt book - Aug 05 2022

web power durch pause stress stoppen richtig abschalt development bank loan books risk hit from nature loss report reuters com apr 01 2023 development bank loan books risk hit from nature loss report reuters com more evidence exercise may be good for your mood reuters com may 02 2023

power durch pause stress stoppen richtig abschalten kraftvoll neu - Jun 15 2023

web power durch pause stress stoppen richtig abschalten kraftvoll neu starten hörbuch download ingo froböse andreas neumann argon verlag amazon de bücher

**power durch pause stress stoppen richtig abschalten kraftvoll** - Dec 09 2022

web ingo froböse in apple books power durch pause ingo froböse buch7 der soziale power durch pause stress stoppen richtig abschalten power durch pause stress stoppen richtig abschalten power durch pause mit regelmäßigen auszeiten die leistung power durch pause 3 audio cd ingo froböse 2016 das turbo stoffwechsel prinzip so stellen sie

**kapitel 8 power durch pause stress stoppen richtig spotify** - Sep 06 2022

web listen to kapitel 8 power durch pause stress stoppen richtig abschalten kraftvoll neu starten on spotify ingo froböse andreas neumann song 2016 ingo froböse andreas neumann song 2016

power durch pause stress stoppen richtig abschalten kraftvoll - Jul 16 2023

web sep 10 2016 im großen praxisteil dieses ratgebers wird gezeigt wie man in vier komplexen phasen im tagesverlauf nach getaner arbeit am wochenende sowie im urlaub auf reisen den schalter zunächst auf

*power durch pause stress stoppen richtig abschalt pdf* - May 02 2022

web apr 1 2023 power durch pause stress stoppen richtig abschalt 2 10 downloaded from uniport edu ng on april 1 2023 by guest autonomous driving markus maurer 2016 05 21 this book takes a look at fully automated autonomous vehicles and discusses many open questions how can autonomous vehicles be integrated into the

*power durch pause stress stoppen richtig abschalten spotify* - Nov 08 2022

web escucha power durch pause stress stoppen richtig abschalten kraftvoll neu starten kapitel 9 en spotify ingo froböse andreas neumann canción 2 016

*pdf power durch pause stress stoppen richtig abschalt* - Jan 10 2023

web krank zu machen der umgang mit stress war noch nie einfacher das buch enthält themen über stress angstbewältigung das zurücksetzen von körper und geist für eine optimale psychische gesundheit das stoppen von panikattacken entspannungstechniken heilung von tragödien und so weiter

**power durch pause stress stoppen richtig abschalten kraftvoll** - Oct 19 2023

web power durch pause stress stoppen richtig abschalten kraftvoll neu starten gu einzeltitel gesundheit alternativheilkunde froböse ingo isbn 9783833854361 kostenloser versand für alle bücher mit versand und verkauf duch amazon

**power durch pause stress stoppen richtig abschalt 2013** - Aug 17 2023

web power durch pause stress stoppen richtig abschalt 3 3 of a man s search for meaning became an instant bestseller on publication in 1974 acclaimed as one of the most exciting books in the history of american letters it continues to inspire millions a narration of a summer motorcycle trip undertaken by a father and his son zen and the art

**power durch pause stress stoppen richtig abschalten kraftvoll** - Oct 07 2022

web power durch pause stress stoppen richtig abschalten kraftvoll neu starten froböse prof dr ingo neumann andreas isbn 9783839881262 kostenloser versand für alle bücher mit versand und verkauf duch amazon

*power durch pause stress stoppen richtig abschalten kraftvoll* - Feb 11 2023

web leistungssportler wissen genau dass erholung ebenso zum erfolg gehört wie anstrengung sie widmen der exakten pausenplanung deswegen viel aufmerksamkeit ingo froböse zeigt in diesem hörbuch was wir uns aus ihren trainingsplänen für den alltag anschauen können denn der wechsel zwischen on und

*power durch pause stress stoppen richtig abschalt copy* - Jul 04 2022

web power durch pause stress stoppen richtig abschalt 3 3 reviews punched card systems and the early information explosion 1880 1945 kensington books the four vital steps for successful negotiation explained with wit and clarity by a master negotiator using examples from his own broad range of negotiating experiences freund presents a

*power durch pause stress stoppen richtig abschalten kraftvoll* - Apr 13 2023

web regelmäßigen auszeiten die power durch pause stress stoppen richtig abschalten ingo froböse power durch pause stress stoppen richtig abschalten kraftvoll neu starten power durch pause stress stoppen richtig abschalten power durch pause mit regelmäßigen auszeiten die leistung power durch pause stress stoppen richtig

**power durch pause stress stoppen richtig abschalt pdf** - Jun 03 2022

web jul 8 2023 power durch pause stress stoppen richtig abschalt 2 12 downloaded from uniport edu ng on july 8 2023 by guest addresses the subject of intractable social conflict from a new vantage point here these types of conflict represent self organizing phenomena emerging quite naturally from the ongoing dynamics in human

power durch pause machen sie dem stress den garaus prof - Sep 18 2023

web stress stoppen richtig abschalten kraftvoll neu starten ein leben ohne pause gilt vielen als völlig normal die beruflichen anforderungen steigen die arbeit wird zum marathonlauf feierabend und wochenende werden ebenfalls prall mit programm gefüllt doch achtung ohne pausen werden wir krank

**power durch pause stress stoppen richtig abschalt download** - Apr 01 2022

web power durch pause stress stoppen richtig abschalt satztypen des deutschen apr 30 2021 das linguistische wissen über die deutschen satztypen hat in den letzten 30 jahren enorm zugenommen satztypen sind zweifellos ein ganz zentraler gegenstand der deutschen grammatik in diesem band wird zum ersten mal der stand der forschung

**principal s letter to parents students principal s letter to** - Aug 26 2022

web principal s letter to parents students principal feagins dear generals family i am so excited to start another school with you as the proud principal of riverside high school the 2023 2024 school year is going to be a journey full of endless possibilities remember your high school experience is what you make of it

**welcome letter from principal stonington public schools** - Aug 06 2023

web welcome letter from principal dear west vine street school families welcome to the 2022 2023 school year we are thrilled to welcome our students and staff back to school we hope that you were able to relax and make special memories with sample welcome letter from principal with template - Oct 08 2023

web dear parents and guardians it is my sincere hope that you enjoyed your type of holiday holidays i formally welcome you to the year school year that begins on date as the school principal i am eager and excited to begin what promises to be a very successful year this year we plan to briefly outline the school year plan

student welcome letter thoughtco - Jul 25 2022

web updated on july 07 2019 a student welcome letter is a great way to greet and introduce yourself to your new students and their parents its purpose is to welcome students and give parents an insight into what you expect as well as what students need to do throughout the school year

*letter to principal from parent check samples format here* - Mar 21 2022

web jul 4 2023 test series if you are a parent you know you have to write a lot of applications to the principal for various reasons for your child a letter from the parent to the principal is usually sent for certain matters which kids can t handle there are some things for which the school also requires a parent s affirmation

*principal s letter to parents cambridge international school - Jul 05 2023*

web dear parents and guardians this is with immense pride and pleasure that i write this letter of introduction to you as the newly appointed principal of cambridge international school mandi

*2021 welcome back letter from our principal sandra berumen - Apr 02 2023*

web 2021 welcome back letter from our principal sandra berumen dear sandoval families i am excited to welcome you back to a new school year as your new principal i truly hope you enjoyed a much needed summer to reconnect with your loved ones through talking laughing and experiencing the small moments that make this life great

**principal s welcome letter principal s welcome letter** - Apr 21 2022

web aug 16 2023 principal s welcome letter august 16 2023 dear grant families it is my honor and a pleasure to welcome you to the 2023 2024 school year i hope you all have had a relaxing and fun summer break

**free download back to school welcome letters to parents** - Dec 30 2022

web welcome parents to the new school year with these free fillable pdf welcome letters from pto pta leaders room parents and teachers back to school welcome letters to parents for room parents pta leaders pto leaders teachers signup com

sample welcome letter from principal with template - Sep 07 2023

web nov 1 2021 a welcome letter is your chance to connect with the parents at your school it is also an opportunity for you to pass on important information about the school year here are some writing tips to help you achieve this welcome the readers start your letter by welcoming the parents and guardians to a new year or term set a positive mood

*2021 back to school letter from the principal posts* - Sep 26 2022

web jul 28 2021 2021 back to school letter from the principal jul 28 2021 10 18 am dear parents and students it is hard to believe that we are approaching the end of summer and getting ready for the opening of chs for the 2021 2022 academic year

*welcome letter to parents template download printable pdf* - May 03 2023

web download fill in and print welcome letter to parents template pdf online here for free welcome letter to parents template is often used in welcome letter template and letters

introduction letter from principal to parents letterspro com - Jan 31 2023

web introduction letter from principal to parents introduction letters to parents guide letter example grammar checker 8000 letter samples

sample welcome letter to parents for back to school - Oct 28 2022

web sample welcome letter to parents for back to school dear parents on behalf of the staff at xxxxxx school i am happy to welcome you to the 2013 14 school year we are looking forward to a productive partnership with you to ensure our children

can achieve their highest potential

[ideas for welcoming a new principal bsb sanlitun nord](#) - Feb 17 2022

web mar 16 2018 this can be done by sending out a professionally written announcement to the parents and school community members including a personal welcome message from the principal welcome message for new principal

[teacher introduction letter to parents examples weareteachers](#) - Jun 04 2023

web jul 6 2023 teacher introduction letter to parents examples 1 put preschoolers at ease starting school for the first time can be intimidating welcoming preschoolers to an adventure can help reframe the experience and make it more exciting 2

build relationships with parents advertisement

**letters to parents letterspro com** - Mar 01 2023

web sample letters to parents find inspiration in our curated catalog of letters to parents each sample letter comes with guidelines and advice to help you find the right words letters to parents are the letters you write to your mother father or guardian

[from the principal s desk message to the parents](#) - Nov 28 2022

web dear parents while this may be my 10th year as principal it is my first experience as a principal during a pandemic quarantine situation and i approach each day thinking first and foremost about the physical social and emotional wellbeing of our students and staff

**welcome letter from the principal gd goenka global** - May 23 2022

web welcome letter from the principal dear parents dlf 3 i am happy to extend a warm welcome to the 2020 21 school year we thank you for choosing us and being part of the gd goenka family the challenging cricket practice pitch creative learning spaces both indoor outdoor with a specially designed mud

**welcome letter messages from the principal woodworth** - Jun 23 2022

web welcome letter dear woodworth elementary families welcome to the 2022 2023 school year i hope you have all had a wonderful summer and are looking forward to the start of this school year as much as i am this is my first year as principal of woodworth elementary but it will be my twenty third year as an educator with leslie public schools