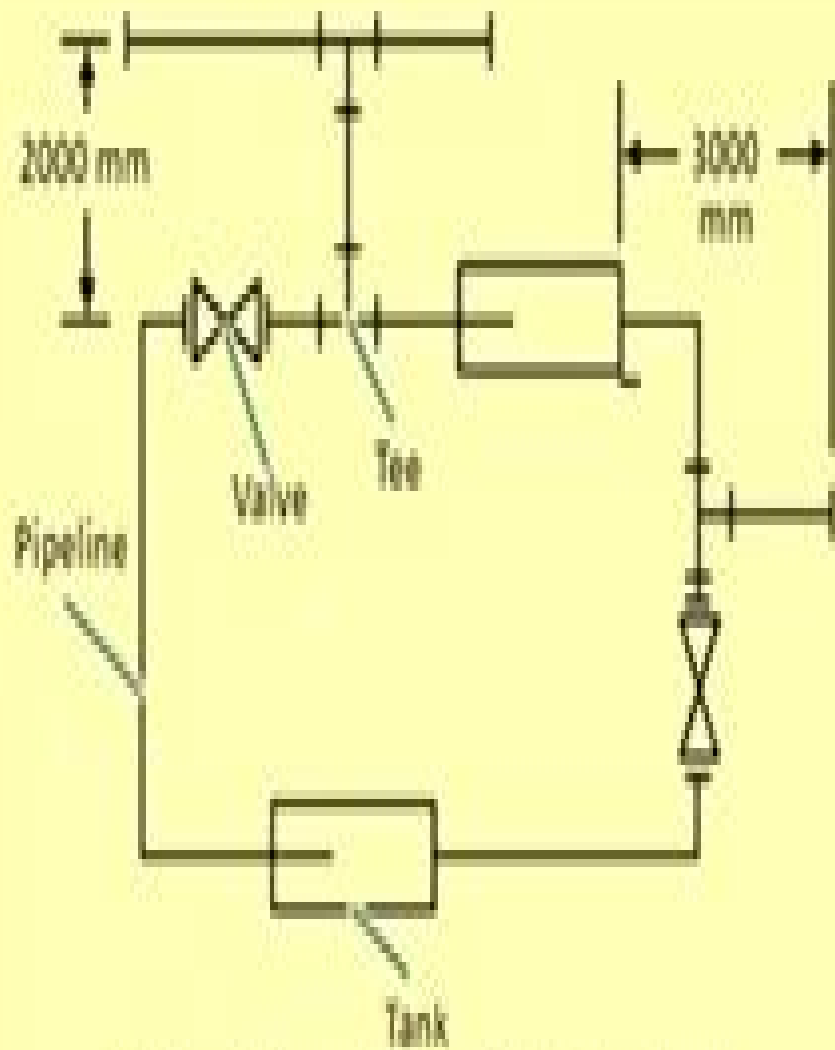
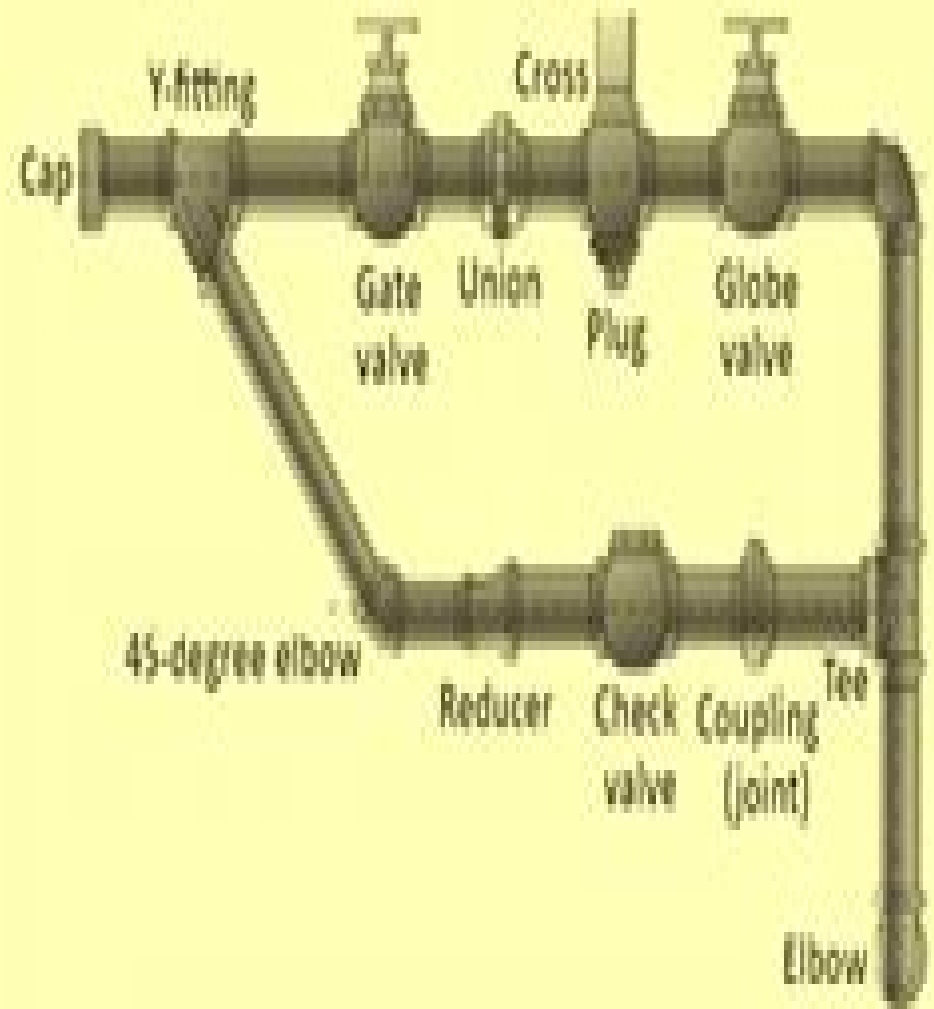


# Types of pipeline drawings



(a) Single-line orthographic pipe drawing



(b) Double-line orthographic pipe drawing

# Fundamentals Of Pipeline Engineering

**SJ Ball**



## **Fundamentals Of Pipeline Engineering:**

Thank you enormously much for downloading **Fundamentals Of Pipeline Engineering**. Maybe you have knowledge that, people have seen numerous times for their favorite books once this **Fundamentals Of Pipeline Engineering**, but end happening in harmful downloads.

Rather than enjoying a good book later a mug of coffee in the afternoon, on the other hand they juggled behind some harmful virus inside their computer. **Fundamentals Of Pipeline Engineering** is handy in our digital library an online permission to it is set as public therefore you can download it instantly. Our digital library saves in combined countries, allowing you to get the most less latency times to download any of our books later than this one. Merely said, the **Fundamentals Of Pipeline Engineering** is universally compatible next any devices to read.

<https://py.bijouxmedusa.com/About/detail/fetch.php/the%20calculus%20of%20friendship%20what%20a%20teacher%20and%20student%20learned%20about%20life%20while%20corresponding%20math%20steven%20h%20strogatz.pdf>

## **Table of Contents Fundamentals Of Pipeline Engineering**

1. Understanding the eBook Fundamentals Of Pipeline Engineering
  - The Rise of Digital Reading Fundamentals Of Pipeline Engineering
  - Advantages of eBooks Over Traditional Books
2. Identifying Fundamentals Of Pipeline Engineering
  - Exploring Different Genres
  - Considering Fiction vs. Non-Fiction
  - Determining Your Reading Goals
3. Choosing the Right eBook Platform
  - Popular eBook Platforms
  - Features to Look for in an Fundamentals Of Pipeline Engineering
  - User-Friendly Interface
4. Exploring eBook Recommendations from Fundamentals Of Pipeline Engineering
  - Personalized Recommendations

- Fundamentals Of Pipeline Engineering User Reviews and Ratings
- Fundamentals Of Pipeline Engineering and Bestseller Lists
- 5. Accessing Fundamentals Of Pipeline Engineering Free and Paid eBooks
  - Fundamentals Of Pipeline Engineering Public Domain eBooks
  - Fundamentals Of Pipeline Engineering eBook Subscription Services
  - Fundamentals Of Pipeline Engineering Budget-Friendly Options
- 6. Navigating Fundamentals Of Pipeline Engineering eBook Formats
  - ePub, PDF, MOBI, and More
  - Fundamentals Of Pipeline Engineering Compatibility with Devices
  - Fundamentals Of Pipeline Engineering Enhanced eBook Features
- 7. Enhancing Your Reading Experience
  - Adjustable Fonts and Text Sizes of Fundamentals Of Pipeline Engineering
  - Highlighting and Note-Taking Fundamentals Of Pipeline Engineering
  - Interactive Elements Fundamentals Of Pipeline Engineering
- 8. Staying Engaged with Fundamentals Of Pipeline Engineering
  - Joining Online Reading Communities
  - Participating in Virtual Book Clubs
  - Following Authors and Publishers Fundamentals Of Pipeline Engineering
- 9. Balancing eBooks and Physical Books Fundamentals Of Pipeline Engineering
  - Benefits of a Digital Library
  - Creating a Diverse Reading Collection Fundamentals Of Pipeline Engineering
- 10. Overcoming Reading Challenges
  - Dealing with Digital Eye Strain
  - Minimizing Distractions
  - Managing Screen Time
- 11. Cultivating a Reading Routine Fundamentals Of Pipeline Engineering
  - Setting Reading Goals Fundamentals Of Pipeline Engineering
  - Carving Out Dedicated Reading Time
- 12. Sourcing Reliable Information of Fundamentals Of Pipeline Engineering
  - Fact-Checking eBook Content of Fundamentals Of Pipeline Engineering

- Distinguishing Credible Sources
- 13. Promoting Lifelong Learning
  - Utilizing eBooks for Skill Development
  - Exploring Educational eBooks
- 14. Embracing eBook Trends
  - Integration of Multimedia Elements
  - Interactive and Gamified eBooks

### **Fundamentals Of Pipeline Engineering Introduction**

Free PDF Books and Manuals for Download: Unlocking Knowledge at Your Fingertips In today's fast-paced digital age, obtaining valuable knowledge has become easier than ever. Thanks to the internet, a vast array of books and manuals are now available for free download in PDF format. Whether you are a student, professional, or simply an avid reader, this treasure trove of downloadable resources offers a wealth of information, conveniently accessible anytime, anywhere. The advent of online libraries and platforms dedicated to sharing knowledge has revolutionized the way we consume information. No longer confined to physical libraries or bookstores, readers can now access an extensive collection of digital books and manuals with just a few clicks. These resources, available in PDF, Microsoft Word, and PowerPoint formats, cater to a wide range of interests, including literature, technology, science, history, and much more. One notable platform where you can explore and download free Fundamentals Of Pipeline Engineering PDF books and manuals is the internet's largest free library. Hosted online, this catalog compiles a vast assortment of documents, making it a veritable goldmine of knowledge. With its easy-to-use website interface and customizable PDF generator, this platform offers a user-friendly experience, allowing individuals to effortlessly navigate and access the information they seek. The availability of free PDF books and manuals on this platform demonstrates its commitment to democratizing education and empowering individuals with the tools needed to succeed in their chosen fields. It allows anyone, regardless of their background or financial limitations, to expand their horizons and gain insights from experts in various disciplines. One of the most significant advantages of downloading PDF books and manuals lies in their portability. Unlike physical copies, digital books can be stored and carried on a single device, such as a tablet or smartphone, saving valuable space and weight. This convenience makes it possible for readers to have their entire library at their fingertips, whether they are commuting, traveling, or simply enjoying a lazy afternoon at home. Additionally, digital files are easily searchable, enabling readers to locate specific information within seconds. With a few keystrokes, users can search for keywords, topics, or phrases, making research and finding relevant information a breeze. This efficiency saves time and effort, streamlining the learning process and allowing individuals to

focus on extracting the information they need. Furthermore, the availability of free PDF books and manuals fosters a culture of continuous learning. By removing financial barriers, more people can access educational resources and pursue lifelong learning, contributing to personal growth and professional development. This democratization of knowledge promotes intellectual curiosity and empowers individuals to become lifelong learners, promoting progress and innovation in various fields. It is worth noting that while accessing free Fundamentals Of Pipeline Engineering PDF books and manuals is convenient and cost-effective, it is vital to respect copyright laws and intellectual property rights. Platforms offering free downloads often operate within legal boundaries, ensuring that the materials they provide are either in the public domain or authorized for distribution. By adhering to copyright laws, users can enjoy the benefits of free access to knowledge while supporting the authors and publishers who make these resources available. In conclusion, the availability of Fundamentals Of Pipeline Engineering free PDF books and manuals for download has revolutionized the way we access and consume knowledge. With just a few clicks, individuals can explore a vast collection of resources across different disciplines, all free of charge. This accessibility empowers individuals to become lifelong learners, contributing to personal growth, professional development, and the advancement of society as a whole. So why not unlock a world of knowledge today? Start exploring the vast sea of free PDF books and manuals waiting to be discovered right at your fingertips.

### **FAQs About Fundamentals Of Pipeline Engineering Books**

1. Where can I buy Fundamentals Of Pipeline Engineering books? Bookstores: Physical bookstores like Barnes & Noble, Waterstones, and independent local stores. Online Retailers: Amazon, Book Depository, and various online bookstores offer a wide range of books in physical and digital formats.
2. What are the different book formats available? Hardcover: Sturdy and durable, usually more expensive. Paperback: Cheaper, lighter, and more portable than hardcovers. E-books: Digital books available for e-readers like Kindle or software like Apple Books, Kindle, and Google Play Books.
3. How do I choose a Fundamentals Of Pipeline Engineering book to read? Genres: Consider the genre you enjoy (fiction, non-fiction, mystery, sci-fi, etc.). Recommendations: Ask friends, join book clubs, or explore online reviews and recommendations. Author: If you like a particular author, you might enjoy more of their work.
4. How do I take care of Fundamentals Of Pipeline Engineering books? Storage: Keep them away from direct sunlight and in a dry environment. Handling: Avoid folding pages, use bookmarks, and handle them with clean hands. Cleaning: Gently dust the covers and pages occasionally.

5. Can I borrow books without buying them? Public Libraries: Local libraries offer a wide range of books for borrowing. Book Swaps: Community book exchanges or online platforms where people exchange books.
6. How can I track my reading progress or manage my book collection? Book Tracking Apps: Goodreads, LibraryThing, and Book Catalogue are popular apps for tracking your reading progress and managing book collections. Spreadsheets: You can create your own spreadsheet to track books read, ratings, and other details.
7. What are Fundamentals Of Pipeline Engineering audiobooks, and where can I find them? Audiobooks: Audio recordings of books, perfect for listening while commuting or multitasking. Platforms: Audible, LibriVox, and Google Play Books offer a wide selection of audiobooks.
8. How do I support authors or the book industry? Buy Books: Purchase books from authors or independent bookstores. Reviews: Leave reviews on platforms like Goodreads or Amazon. Promotion: Share your favorite books on social media or recommend them to friends.
9. Are there book clubs or reading communities I can join? Local Clubs: Check for local book clubs in libraries or community centers. Online Communities: Platforms like Goodreads have virtual book clubs and discussion groups.
10. Can I read Fundamentals Of Pipeline Engineering books for free? Public Domain Books: Many classic books are available for free as they're in the public domain. Free E-books: Some websites offer free e-books legally, like Project Gutenberg or Open Library.

### **Find Fundamentals Of Pipeline Engineering :**

**the calculus of friendship what a teacher and student learned about life while corresponding math steven h strogatz**

*the exceptional child inclusion in early childhood education*

**the image processing handbook fifth edition**

*the integumentary system lab answers*

**the lost german slave girl extraordinary true story of sally miller and her fight for freedom in old new orleans john bailey**

the moral economy of the peasant rebellion and subsistence in southeast asia

**the emperors new mind concerning computers minds and the laws of physics**

**the feynman technique the best way to learn anything**

**the llewellyn practical guide to psychic self defense**

*the importance of bim in the lighting industry*

**the english hub 3b pdf**

*the hydrometallurgy of copper*

**the life changing magic of not giving a f ck**

*the illustrated dance technique of jose limon 1st edition*

**the intel quark soc**

### **Fundamentals Of Pipeline Engineering :**

**how to marry the rich the rich will marry someone why not youtube** - Feb 04 2022

web how to marry the rich the rich will marry someone why not you ginie sayles study notes ms linda afrofemininemuse 764 subscribers subscribe 1 6k views 7 months ago do you desire to

**how to meet and marry a billionaire today** - Jun 20 2023

web jul 2 2007 behavior how to meet and marry a billionaire are you looking to fall for someone tall dark but most importantly very wealthy marlys harris money magazine senior editor explains what it

**marryrich reddit** - Mar 17 2023

web so you want to marry rich you re in the right place a community that s mostly nice with a little bit of spice the rich have to marry someone why not you 3 we prefer love with money how to marry rich how to marry a rich

**how to marry the rich amazon co uk** - Aug 10 2022

web details containing practical advice on how to secure a lasting relationship while leading a life of luxury this book examines the psychology of relationships detailing the attitudes and approaches needed for meeting the rich and establishing a relationship that could lead to marriage print length 254 pages language

*how to marry someone who is rich psychology today* - May 19 2023

web jan 8 2014 the odds of marrying a rich person are much better if you go about it properly than that of winning a lottery and yet patients rarely ask me what they need to do to marry someone who is

**how to marry the rich the rich will marry someone why** - Apr 18 2023

web nov 9 2009 now the world s one and only marry rich consultant reveals her secrets in a detailed step by step plan for meeting and marrying money it s unique it s outrageous and it works stop dreaming about a life of luxury and love do what it takes to achieve the life you desire

[how to marry the rich by ginie sayles goodreads](#) - Dec 14 2022

web jan 1 1991 ginie sayles 4 08 25 ratings3 reviews now the world s one and only marry rich consultant reveals her secrets

in a detailed step by step plan for meeting and marrying money

**how to marry the rich the rich will marry someone why not** - Jan 15 2023

web how to marry the rich the rich will marry someone why not you tm ginie sayles sayles ginie amazon com tr kitap

how to marry the rich people like us episode 3 youtube - Jul 09 2022

web mar 30 2009 can upper class behavior be taught check out this tutorial see more at bit ly classinamericaauthor and motivational speaker ginie sayles grew up poo

**how to marry the rich ginie polo sayles archive org** - May 07 2022

web oct 18 2011 how to marry the rich by ginie polo sayles publication date 1991 publisher gemar publications collection inlibrary printdisabled internetarchivebooks contributor internet archive language english access restricted item true addeddate 2011 10 18 15 05 21 boxid ia145009 camera canon eos 5d mark ii

**the rich will marry someone why not you how to marry the rich** - Mar 05 2022

web why choose between love and money you can have both remember the rich must marry someone so why not you ginie is married to reed sayles reed was born int

romantic finance when to marry millionaires for financial - Feb 16 2023

web jun 30 2023 for some the goal of marrying rich may be based on the idea that financial worries can cause problems within a marriage for others marrying into money may be attractive due to lifestyle that may be afforded with greater financial resources

*how to marry the rich the rich will marry someone why not* - Apr 06 2022

web the marry rich career pursued me i never pursued it i was asked to give seminars on the subject and to write a book about it once i accepted i gave information that can truly help people and made it fun with my red money dress and reed s green money tie which the press loved and our publicity shot in wedding attire with money in my

**how to marry the rich worldcat org** - Nov 13 2022

web how to marry the rich author ginie polo sayles summary containing practical advice on how to secure a lasting relationship while leading a life of luxury this book examines the psychology of relationships detailing the attitudes and approaches needed for meeting the rich and establishing a relationship that could lead to marriage

**how to marry the rich amazon com** - Oct 12 2022

web jun 1 1992 an expert on marrying the wealthy offers the aspiring kept woman or man advice on where to meet a rich person how to get noticed by one and ultimately how to parlay this meeting into a profitable trip to the altar original book recommendations author interviews editors picks and more read it now

how to marry the rich by ginie polo sayles open library - Jan 03 2022

web jun 1 1992 april 29 2008 created by an anonymous user imported from amazon com record how to marry the rich by ginie polo sayles june 1 1992 berkley edition in english

**how to marry into a rich family wikihow life** - Sep 11 2022

web oct 10 2022 1 move to an area that is filled with rich people but also has plenty of fish 2 be mindful of your grooming while rich may or may not marry another rich person he she will definitely want to marry a really attractive person especially if he she is not rich 3 be an awesome flirt 4 have a sexy personality 5

**how to marry the rich for both men and women by ginie sayles** - Jun 08 2022

web aug 18 2022 the rich will marry someone why not you how to marry the rich for both men and women by ginie sayles identifier ark ark 13960 s2mm13swtz ocr tesseract 5 2 0 1 gc42a ocr autonomous true ocr detected lang en ocr detected lang conf 1 0000 ocr detected script latin fraktur ocr detected script conf 0 9955 0 0038

**how to marry the rich by ginie sayles** - Jul 21 2023

web ginie sayles best selling author of how to marry the rich reveals the secrets of finding love and happiness with the rich ginie is the expert s expert on the rich and has been sought out for consultations by the rich and famous for 30 years

**12 ways to marry a millionaire wikihow** - Aug 22 2023

web aug 9 2023 a lot of people feel the same way and there s a simple solution find someone wealthy and marry rich in this article we ll walk you through meeting a millionaire connecting with a millionaire and forming a good relationship so you can hopefully land a big ring on your finger

[pathologic basis of veterinary disease 9780323713139 us](#) - Mar 11 2023

web description use the veterinarian s 1 reference on general pathology and the pathology of organ systems pathologic basis of veterinary disease 7th edition helps you understand and diagnose diseases of domestic animals by

*pathologic basis of veterinary disease 6th edition edited by* - Apr 12 2023

web mar 5 2017 pathologic basis of veterinary disease 6th edition edited by james f zachary elsevier st louis mo 2017 1 394 isbn 978 0 3233 5775 3 price 159 us monday 2017 veterinary dermatology wiley online library book review

*pathologic basis of veterinary disease 7th edition* - Sep 05 2022

web use the veterinarian s 1 reference on general pathology and the pathology of organ systems pathologic basis of veterinary disease 7th edition helps you understand and diagnose diseases of domestic animals by using the latest scientific and medical research focusing on dogs cats horses cattle sheep goats and pigs this reference describes

**pathologic basis of veterinary disease 7th edition** - May 01 2022

web description use the veterinarian s 1 reference on general pathology and the pathology of organ systems pathologic basis of veterinary disease 7th edition helps you understand and diagnose diseases of domestic animals by using the latest

scientific and medical research

**pathologic basis of veterinary disease google books** - Feb 27 2022

web diagnose and manage diseases using the newest information and research pathologic basis of veterinary disease expert consult 6th edition provides complete illustrated coverage of both general pathology and the pathology of

**pathologic basis of veterinary disease elsevier** - May 13 2023

web jan 18 2022 p use the veterinarian s 1 reference on general pathology and the pathology of organ systems b pathologic basis of veterinary disease 7th edition b helps you understand and diagnose diseases of domestic animals by using the latest scientific and medical research

**pathologic basis of veterinary disease expert consult e book** - Dec 28 2021

web may 23 2016 diagnose and manage diseases using the newest information and research pathologic basis of veterinary disease expert consult 6th edition provides complete illustrated coverage of both general pathology and the pathology of organ systems of domestic animals

pathologic basis of veterinary disease5 google books - Aug 04 2022

web jan 1 2012 with over 2 000 full color illustrations pathologic basis of veterinary disease 5th edition provides complete coverage of both general pathology and pathology of organ systems in one convenient resource in depth explanations cover the responses of cells tissues and organs to injury and infection expert researchers james f zachary

*pathologic basis of veterinary disease 7th edition elsevier* - Jul 15 2023

web dec 15 2021 description use the veterinarian s 1 reference on general pathology and the pathology of organ systems pathologic basis of veterinary disease 7th edition helps you understand and diagnose diseases of domestic animals by using the latest scientific and medical research

**book review pathologic basis of veterinary disease** - Mar 31 2022

web may 20 2022 also from sage publishing cq library american political resources opens in new tab data planet a universe of data opens in new tab sage business cases real world cases at your fingertips opens in new tab sage campus online skills and methods courses opens in new tab sage knowledge the ultimate social science library opens in

**pathologic basis of veterinary disease 7th edition elsevier uk** - Jan 09 2023

web pathologic basis of veterinary disease 7th edition helps you understand and diagnose diseases of domestic animals by using the latest scientific and medical research focusing on dogs cats horses cattle sheep goats and pigs this reference describes and vividly illustrates and explores the pathogeneses of animal diseases how cells and

*pathologic basis of veterinary disease sciencedirect* - Aug 16 2023

web description diagnose and manage diseases using the newest information and research pathologic basis of veterinary

disease expert consult 6th edition provides complete illustrated coverage of both general pathology and the pathology of organ systems of domestic animals

[pathologic basis of veterinary disease 4th ed pmc](#) - Feb 10 2023

web the 4th edition of this text differs substantially from previous versions most notably in added coverage of principles of general pathology in addition to the specific pathology of organ systems and extensive use of color photographs and

[pathologic basis of veterinary disease amazon com](#) - Jan 29 2022

web jan 10 2022 use the veterinarian s 1 reference on general pathology and the pathology of organ systems pathologic basis of veterinary disease 7th edition helps you understand and diagnose diseases of domestic animals by using the latest scientific and medical research focusing on dogs cats horses cattle sheep goats and pigs this

**pathologic basis of veterinary disease e book google books** - Oct 06 2022

web dec 15 2021 pathologic basis of veterinary disease 7th edition helps you understand and diagnose diseases of domestic animals by using the latest scientific and medical research

**pathologic basis of veterinary disease expert consult 6e** - Jul 03 2022

web diagnose and manage diseases using the newest information and research pathologic basis of veterinary disease expert consult 6th edition provides complete illustrated coverage of both general pathology and the pathology of organ systems of domestic animals addressing species from dogs and cats to pigs and cattle and many more this

**pathologic basis of veterinary disease 5th edition europe pmc** - Nov 07 2022

web apr 1 2014 the 5th edition of pathologic basis of veterinary disease is an excellent reference for veterinary students and veterinarians who are interested in reviewing the pathophysiology of the diseases observed in practice

*pathologic basis of veterinary disease google books* - Jun 14 2023

web aug 28 2006 pathologic basis of veterinary disease m donald mcgavin james f zachary elsevier health sciences aug 28 2006 medical 1488 pages the 4th edition of this textbook now in full color

*pathologic basis of veterinary disease elsevier* - Dec 08 2022

web jun 5 2016 pathologic basis of veterinary disease expert consult 6th edition provides complete illustrated coverage of both general pathology and the pathology of organ systems of domestic animals

**pathologic basis of veterinary disease google books** - Jun 02 2022

web pathologic basis of veterinary disease m donald mcgavin elsevier mosby 2007 medical 1476 pages the 4th edition of this textbook now in full color presents both general pathology and special pathology in one comprehensive resource

**analytic geometry mijares and quirino domainlookup** - Oct 10 2022

web mar 30 2023 analytic geometry mijares and quirino is available in our digital library an online access to it is set as

public so you can download it instantly our digital library hosts in multiple locations allowing you to get the most less latency time to download

[analytic geometry pdf google drive](#) - Sep 21 2023

web sign in analytic geometry pdf google drive sign in

**details for plane and solid analytic geometry urs opac catalog** - Jul 19 2023

web plane and solid analytic geometry quirino demetrio a and jose m mijares plane and solid analytic geometry quirino

demetrio a and jose m mijares by quirino demetrio a and jose m mijares author contributor s jose m mijares

*edmath 2 a lecture materials for students* - Apr 16 2023

web analytic geometry by quirino and mijares chapter 5 pp 102 112 5 iv conic sections the parabola a conic sections b

definitions c the parabola d parabola with vertex at h k e general forms of the parabola 1 define and discuss parabola and its

properties 2 determine the concavity of a parabola 3 reduce the equation to standard

[analytic geometry by quirino and mijares secure4 khronos](#) - May 05 2022

web jun 11 2023 we reimburse for analytic geometry by quirino and mijares and countless books compilations from fictions

to scientific researchh in any way you can get it while function something else at house and even in your business premises

**analytic geometry by quirino and mijares pdf uniport edu** - May 17 2023

web may 22 2023 analytic geometry by quirino and mijares 1 6 downloaded from uniport edu ng on may 22 2023 by guest

analytic geometry by quirino and mijares if you ally habit such a referred analytic geometry by quirino and mijares book that

will allow you worth get the completely best seller from us currently from several preferred

**analytic geometry by quirino and mijares pdf cms tonpetitlook** - Jul 07 2022

web 2 analytic geometry by quirino and mijares 2023 02 20 the stylistic brilliance of the original theodor w adorno 1903 69

one of the foremost members of the frankfurt school of critical theory studied

**introduction to analytic geometry youtube** - Jan 13 2023

web reference analytic geometry by demetrio aquino jr jose mijares

**r2 lecture co2 math 21 1 pdf analytic geometry scribd** - Mar 15 2023

web definition analytic geometry is the branch of mathematics which deals with the properties behaviours and solution of

points lines curves angles surfaces and solids by means of algebraic methods in relation to a coordinate system quirino and

mijares

**analytic geometry mijares and quirino pdf design bluesquare** - Aug 08 2022

web analytic geometry mijares and quirino 3 3 also our results add to a nascent body of literature suggesting that the

northern portions of the archipelago may be substantially more diverse than currently appreciated operation yao ming

cambridge university press this book gives a rigorous treatment of the fundamentals of plane geometry

**analytic geometry mijares and quirino copy** - Mar 03 2022

web analytic geometry mijares and quirino analytical geometry of three dimensions hollywood highbrow modern algebra and trigonometry the amphibians and reptiles of luzon island philippines viii the herpetofauna of cagayan and isabela provinces northern sierra madre mountain range a visit to the philippine islands catalog of

*analytic geometry mijares and quirino* - Jun 06 2022

web 2 analytic geometry mijares and quirino 2023 10 07 having been designated as both a megadiverse nation and a global biodiversity conservation hotspot the terrestrial vertebrate fauna of the northeastern philippines specifically luzon island has been the subject of intense interest since the first historical explorations

**analytic geometry quirino mijares pdf r studentsph reddit** - Aug 20 2023

web sep 12 2023 i m looking for a pdf of analytic geometry by quirino mijares i ve looked thru the usual resource sites google pero wala po badly need this one po kasi di ako makacatch up with the discussions w o the ref book huhu

**subject analytic geometry pinoybix engineering** - Jun 18 2023

web mar 20 2020 1 set up equations given enough properties of lines and conics 2 draw the graph of the given equation of the line and the equation of the conic section and 3 analyze and trace completely the curve given their equations in both rectangular and polar coordinates in two dimensional space analytic geometry course outline

**analytic geometry mijares and quirino db csda** - Dec 12 2022

web analytic geometry mijares and quirino 5 5 assistance to students with the pre reading step than other texts steps reinforces the prepare step with pre reading questions prior to each reading selection reading passages cover a broad range of topics that will interest students and be relevant to their

**analytic geometry geometry 229 math content khan academy** - Sep 09 2022

web in analytic geometry also known as coordinate geometry we think about geometric objects on the coordinate plane for example we can see that opposite sides of a parallelogram are parallel by writing a linear equation for each side and seeing that the slopes are the same

**analytic geometry mijares and quirino uniport edu** - Feb 02 2022

web mar 4 2023 an introduction to analytic geometry and calculus a c burdette 2014 05 10 an introduction to analytic geometry and calculus covers the basic concepts of analytic geometry and the elementary operations of calculus this book is composed of 14 chapters and begins with an overview of the fundamental relations of the coordinate system

[analytic geometry mijares and quirino doblespacio uchile](#) - Nov 11 2022

web their favorite books behind this analytic geometry mijares and quirino but stop occurring in harmful downloads rather

than enjoying a fine pdf when a mug of coffee in the afternoon then again they juggled behind some harmful virus inside their computer analytic geometry mijares and quirino is easily reached in our digital library an

[analytic geometry by quirino mijares shopee](#) - Feb 14 2023

web buy analytic geometry by quirino mijares online today 100 brand new hurry up get your copies now for affordable price enjoy best prices with free shipping vouchers

*analytic geometry by quirino and mijares pdf dotnbm* - Apr 04 2022

web this book gives a rigorous treatment of the fundamentals of plane geometry euclidean spherical elliptical and hyperbolic et amicorum essays on renaissance humanism and philosophy brill