

сторона разъема ECU

GE96A

GE58A

B05

устройство электроуправления двигателем



#574 R12
MPROP
(клапан контроля давления)

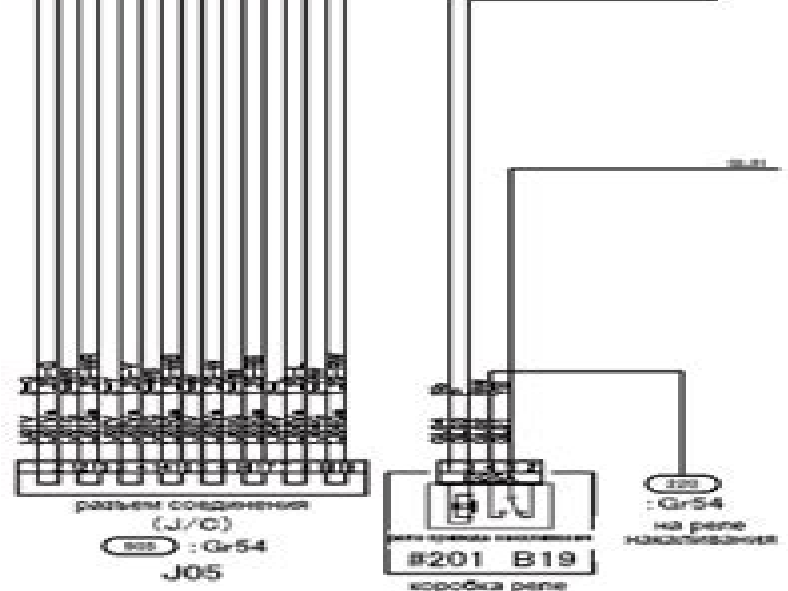
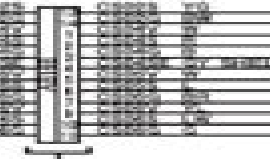
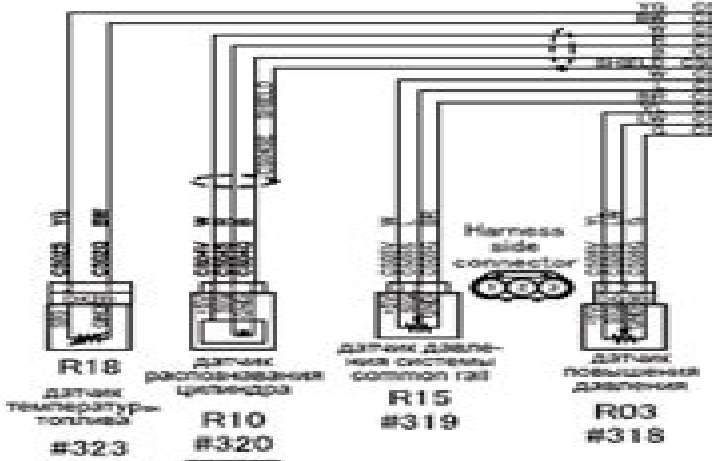
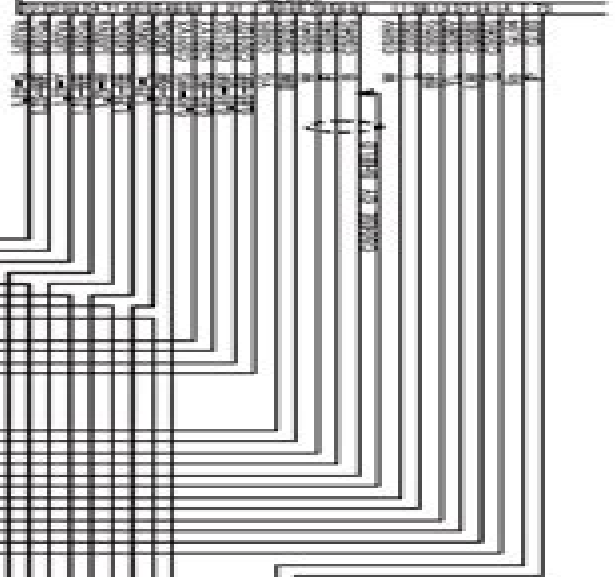
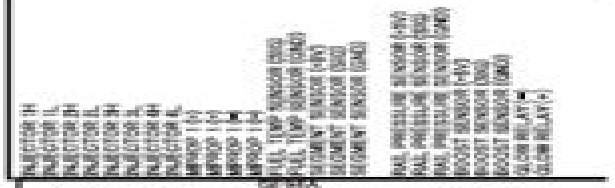
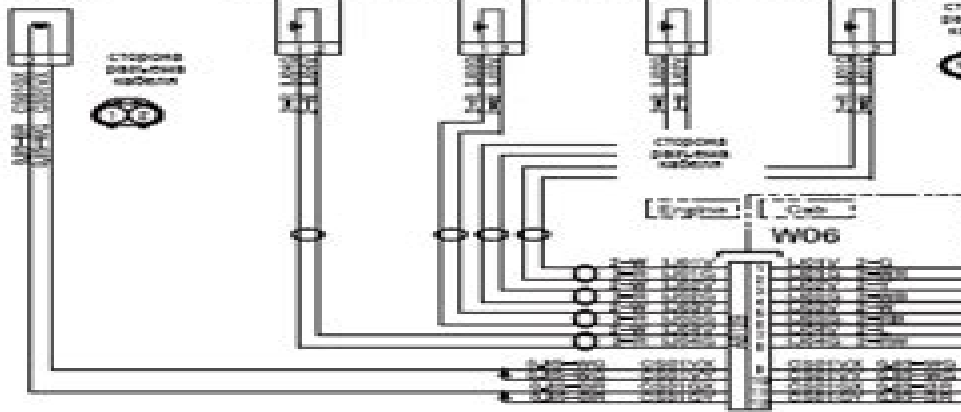
#582 R11
форсунки

форсунка №2
электроклапан №4

форсунка №4
электроклапан №3

форсунка №3
электроклапан №2

форсунка №1
электроклапан №1



Fuso Engine Ecu Diagram

**Thirumalaisamy P.
Velavancorresponding**



Fuso Engine Ecu Diagram:

Unveiling the Energy of Verbal Beauty: An Emotional Sojourn through **Fuso Engine Ecu Diagram**

In a world inundated with displays and the cacophony of instantaneous connection, the profound power and mental resonance of verbal artistry usually diminish into obscurity, eclipsed by the continuous barrage of sound and distractions. Yet, set within the musical pages of **Fuso Engine Ecu Diagram**, a charming function of fictional splendor that impulses with raw feelings, lies an remarkable trip waiting to be embarked upon. Composed by a virtuoso wordsmith, this magical opus instructions visitors on an emotional odyssey, gently revealing the latent potential and profound impact stuck within the complicated web of language. Within the heart-wrenching expanse of the evocative evaluation, we can embark upon an introspective exploration of the book is central styles, dissect their captivating writing model, and immerse ourselves in the indelible impression it leaves upon the depths of readers souls.

<https://py.bijouxmedusa.com/results/book-search/default.aspx/Chapter%2017%20Section%201%20Guided%20Reading%20Mobilizing%20For%20Defense.pdf>

Table of Contents Fuso Engine Ecu Diagram

1. Understanding the eBook Fuso Engine Ecu Diagram
 - The Rise of Digital Reading Fuso Engine Ecu Diagram
 - Advantages of eBooks Over Traditional Books
2. Identifying Fuso Engine Ecu Diagram
 - Exploring Different Genres
 - Considering Fiction vs. Non-Fiction
 - Determining Your Reading Goals
3. Choosing the Right eBook Platform
 - Popular eBook Platforms
 - Features to Look for in an Fuso Engine Ecu Diagram
 - User-Friendly Interface
4. Exploring eBook Recommendations from Fuso Engine Ecu Diagram

- Personalized Recommendations
 - Fuso Engine Ecu Diagram User Reviews and Ratings
 - Fuso Engine Ecu Diagram and Bestseller Lists
5. Accessing Fuso Engine Ecu Diagram Free and Paid eBooks
 - Fuso Engine Ecu Diagram Public Domain eBooks
 - Fuso Engine Ecu Diagram eBook Subscription Services
 - Fuso Engine Ecu Diagram Budget-Friendly Options
 6. Navigating Fuso Engine Ecu Diagram eBook Formats
 - ePub, PDF, MOBI, and More
 - Fuso Engine Ecu Diagram Compatibility with Devices
 - Fuso Engine Ecu Diagram Enhanced eBook Features
 7. Enhancing Your Reading Experience
 - Adjustable Fonts and Text Sizes of Fuso Engine Ecu Diagram
 - Highlighting and Note-Taking Fuso Engine Ecu Diagram
 - Interactive Elements Fuso Engine Ecu Diagram
 8. Staying Engaged with Fuso Engine Ecu Diagram
 - Joining Online Reading Communities
 - Participating in Virtual Book Clubs
 - Following Authors and Publishers Fuso Engine Ecu Diagram
 9. Balancing eBooks and Physical Books Fuso Engine Ecu Diagram
 - Benefits of a Digital Library
 - Creating a Diverse Reading Collection Fuso Engine Ecu Diagram
 10. Overcoming Reading Challenges
 - Dealing with Digital Eye Strain
 - Minimizing Distractions
 - Managing Screen Time
 11. Cultivating a Reading Routine Fuso Engine Ecu Diagram
 - Setting Reading Goals Fuso Engine Ecu Diagram
 - Carving Out Dedicated Reading Time
 12. Sourcing Reliable Information of Fuso Engine Ecu Diagram

- Fact-Checking eBook Content of Fuso Engine Ecu Diagram
 - Distinguishing Credible Sources
13. Promoting Lifelong Learning
- Utilizing eBooks for Skill Development
 - Exploring Educational eBooks
14. Embracing eBook Trends
- Integration of Multimedia Elements
 - Interactive and Gamified eBooks

Fuso Engine Ecu Diagram Introduction

Fuso Engine Ecu Diagram Offers over 60,000 free eBooks, including many classics that are in the public domain. Open Library: Provides access to over 1 million free eBooks, including classic literature and contemporary works. Fuso Engine Ecu Diagram Offers a vast collection of books, some of which are available for free as PDF downloads, particularly older books in the public domain. Fuso Engine Ecu Diagram : This website hosts a vast collection of scientific articles, books, and textbooks. While it operates in a legal gray area due to copyright issues, its a popular resource for finding various publications. Internet Archive for Fuso Engine Ecu Diagram : Has an extensive collection of digital content, including books, articles, videos, and more. It has a massive library of free downloadable books. Free-eBooks Fuso Engine Ecu Diagram Offers a diverse range of free eBooks across various genres. Fuso Engine Ecu Diagram Focuses mainly on educational books, textbooks, and business books. It offers free PDF downloads for educational purposes. Fuso Engine Ecu Diagram Provides a large selection of free eBooks in different genres, which are available for download in various formats, including PDF. Finding specific Fuso Engine Ecu Diagram, especially related to Fuso Engine Ecu Diagram, might be challenging as theyre often artistic creations rather than practical blueprints. However, you can explore the following steps to search for or create your own Online Searches: Look for websites, forums, or blogs dedicated to Fuso Engine Ecu Diagram, Sometimes enthusiasts share their designs or concepts in PDF format. Books and Magazines Some Fuso Engine Ecu Diagram books or magazines might include. Look for these in online stores or libraries. Remember that while Fuso Engine Ecu Diagram, sharing copyrighted material without permission is not legal. Always ensure youre either creating your own or obtaining them from legitimate sources that allow sharing and downloading. Library Check if your local library offers eBook lending services. Many libraries have digital catalogs where you can borrow Fuso Engine Ecu Diagram eBooks for free, including popular titles. Online Retailers: Websites like Amazon, Google Books, or Apple Books often sell eBooks. Sometimes, authors or publishers offer promotions or free periods for certain books. Authors Website Occasionally, authors provide excerpts or short stories for free on their websites.

While this might not be the Fuso Engine Ecu Diagram full book, it can give you a taste of the authors writing style. Subscription Services Platforms like Kindle Unlimited or Scribd offer subscription-based access to a wide range of Fuso Engine Ecu Diagram eBooks, including some popular titles.

FAQs About Fuso Engine Ecu Diagram Books

1. Where can I buy Fuso Engine Ecu Diagram books? Bookstores: Physical bookstores like Barnes & Noble, Waterstones, and independent local stores. Online Retailers: Amazon, Book Depository, and various online bookstores offer a wide range of books in physical and digital formats.
2. What are the different book formats available? Hardcover: Sturdy and durable, usually more expensive. Paperback: Cheaper, lighter, and more portable than hardcovers. E-books: Digital books available for e-readers like Kindle or software like Apple Books, Kindle, and Google Play Books.
3. How do I choose a Fuso Engine Ecu Diagram book to read? Genres: Consider the genre you enjoy (fiction, non-fiction, mystery, sci-fi, etc.). Recommendations: Ask friends, join book clubs, or explore online reviews and recommendations. Author: If you like a particular author, you might enjoy more of their work.
4. How do I take care of Fuso Engine Ecu Diagram books? Storage: Keep them away from direct sunlight and in a dry environment. Handling: Avoid folding pages, use bookmarks, and handle them with clean hands. Cleaning: Gently dust the covers and pages occasionally.
5. Can I borrow books without buying them? Public Libraries: Local libraries offer a wide range of books for borrowing. Book Swaps: Community book exchanges or online platforms where people exchange books.
6. How can I track my reading progress or manage my book collection? Book Tracking Apps: Goodreads, LibraryThing, and Book Catalogue are popular apps for tracking your reading progress and managing book collections. Spreadsheets: You can create your own spreadsheet to track books read, ratings, and other details.
7. What are Fuso Engine Ecu Diagram audiobooks, and where can I find them? Audiobooks: Audio recordings of books, perfect for listening while commuting or multitasking. Platforms: Audible, LibriVox, and Google Play Books offer a wide selection of audiobooks.
8. How do I support authors or the book industry? Buy Books: Purchase books from authors or independent bookstores. Reviews: Leave reviews on platforms like Goodreads or Amazon. Promotion: Share your favorite books on social media or recommend them to friends.

9. Are there book clubs or reading communities I can join? Local Clubs: Check for local book clubs in libraries or community centers. Online Communities: Platforms like Goodreads have virtual book clubs and discussion groups.
10. Can I read Fuso Engine Ecu Diagram books for free? Public Domain Books: Many classic books are available for free as they're in the public domain. Free E-books: Some websites offer free e-books legally, like Project Gutenberg or Open Library.

Find Fuso Engine Ecu Diagram :

chapter 17 section 1 guided reading mobilizing for defense

[cell biology international student version](#)

[caterpillar dealer service tool pdfslibforyou](#)

[case study paper format](#)

[chapter 17 from gene to protein answers](#)

[chapter 18 revenue recognition solutions kieso 14th edition](#)

[case mysteries in pathophysiology bookslibland com](#)

[central bank of kenya](#)

[chapter 19 star formation astronomy](#)

[case 1840 skid steer repair manual](#)

caterpillar communication adapter iii kit pn epcatalogs

case 10 solutions computer accounting quickbooks

[change your life a little book of big ideas](#)

[chapter 11 introduction to genetics quiz answer key](#)

[case cx210 engine oil](#)

Fuso Engine Ecu Diagram :

il mondo in cifre 2019 help environment harvard edu - Apr 23 2022

web il mondo in cifre 2019 thank you very much for downloading il mondo in cifre 2019 maybe you have knowledge that people have search numerous times for their chosen novels like this il mondo in cifre 2019 but end up in infectious

downloads rather than enjoying a good book with a cup of coffee in the afternoon instead they cope with some

il mondo in cifre 2019 the economist amazon de bücher - Jun 06 2023

web il mondo in cifre 2019 the economist isbn 9788887028539 kostenloser versand für alle bücher mit versand und verkauf duch amazon

il mondo in cifre 2022 the economist libro libreria ibs - Oct 30 2022

web il mondo in cifre 2022 è un libro a cura di the economist pubblicato da internazionale acquista su ibs a 7 50

il mondo in cifre 2019 the economist amazon es libros - May 25 2022

web il mondo in cifre 2019 the economist amazon es libros saltar al contenido principal es hola elige tu dirección todos los departamentos selecciona el departamento que quieras buscar buscar amazon es es hola identificate

il mondo in cifre 2019 paperback december 10 2018 - Apr 04 2023

web dec 10 2018 amazon com il mondo in cifre 2019 9788887028539 the economist books skip to main content us delivering to lebanon 66952 update location books select the department you want to search in search amazon en hello sign in account

il mondo in cifre 2020 the economist libro libreria ibs - Feb 19 2022

web il mondo in cifre 2020 presenta tutti i dati per capire il mondo di oggi geografia popolazioni affari economia commercio mercato immobiliare trasporti istruzione criminalità turismo internet ambiente società cultura e alla fine un quiz

il mondo in cifre 2019 libreria universitaria - Jan 01 2023

web il mondo in cifre 2019 presenta tutti i dati per capire il mondo di oggi geografia popolazioni migranti economia lavoro commercio trasporti istruzione criminalità turismo internet ambiente salute società cultura e alla fine un quiz

il mondo in cifre 2019 paperback amazon in - May 05 2023

web amazon in buy il mondo in cifre 2019 book online at best prices in india on amazon in read il mondo in cifre 2019 book reviews author details and more at amazon in free delivery on qualified orders

worldometer statistiche mondiali in tempo reale - Mar 23 2022

web statistiche mondiali aggiornate in tempo reale su popolazione governo economia società media ambiente cibo acqua energia e salute statistiche interessanti come popolazione mondiale emissioni di co2 fame nel mondo spesa pubblica produzione globale dati sul consumo e molto altro

il mondo in cifre 2019 the economist curatore libro - Feb 02 2023

web il mondo in cifre 2019 è un libro di the economist curatore edito da internazionale a dicembre 2018 ean 9788887028539 puoi acquistarlo sul sito hoepli it la grande libreria online il mondo in cifre 2019 the economist curatore libro internazionale 12 2018

amazon fr il mondo in cifre 2019 the economist livres - Sep 28 2022

web noté 5 retrouvez il mondo in cifre 2019 et des millions de livres en stock sur amazon fr achetez neuf ou d occasion

il mondo in cifre 2019 the economist libro libreria ibs - Oct 10 2023

web il mondo in cifre 2019 presenta tutti i dati per capire il mondo di oggi geografia popolazioni migranti economia lavoro commercio trasporti istruzione criminalità

il mondo in cifre 2020 libreria universitaria - Aug 28 2022

web il mondo in cifre 2020 presenta tutti i dati per capire il mondo di oggi geografia popolazioni affari economia commercio mercato immobiliare trasporti istruzione criminalità turismo internet ambiente società cultura e alla fine un quiz

amazon it recensioni clienti il mondo in cifre 2019 - Nov 30 2022

web consultare utili recensioni cliente e valutazioni per il mondo in cifre 2019 su amazon it consultare recensioni obiettive e imparziali sui prodotti fornite dagli utenti

il mondo in cifre 2019 9788887028539 libreria unilibro - Mar 03 2023

web il mondo in cifre 2019 il mondo in cifre 2019 presenta tutti i dati per capire il mondo di oggi geografia popolazioni migranti economia lavoro commercio trasporti istruzione criminalità turismo internet ambiente salute società cultura

amazon it il mondo in cifre 2020 the economist libri - Jul 27 2022

web il mondo in cifre 2020 presenta tutti i dati per capire il mondo di oggi geografia popolazioni affari economia commercio mercato immobiliare trasporti istruzione criminalità turismo internet ambiente società cultura

il mondo in cifre 2019 the economist amazon com au books - Jul 07 2023

web select the department you want to search in

il mondo in cifre 2019 libro mondadori store - Sep 09 2023

web il mondo in cifre 2019 presenta tutti i dati per capire il mondo di oggi geografia popolazioni migranti economia lavoro commercio trasporti istruzione criminalità turismo internet ambiente salute società cultura e alla fine un quiz

amazon it il mondo in cifre 2021 the economist libri - Jun 25 2022

web ecco il nuovo appuntamento con il mondo in cifre geografia popolazioni affari salute economia commercio terrorismo trasporti turismo finanza rifugiati ambiente cultura società tecnologia come sempre il best seller realizzato dalla redazione dell'economist e curato in italia dal settimanale internazionale offre tutti i dati

amazon it il mondo in cifre 2019 the economist libri - Aug 08 2023

web il mondo in cifre 2019 presenta tutti i dati per capire il mondo di oggi geografia popolazioni migranti economia lavoro commercio trasporti istruzione criminalità turismo internet ambiente salute società cultura

free nclex pn practice questions quizlets kaplan test prep - May 13 2023

web find your prep prepare for the nclex pn with free nclex pn practice questions a free nclex pn practice test and a sample class kaplan s strategies and practice are unmatched

free nclex pn exam practice test 2023 15 exams answers - Apr 12 2023

web take a nclex pn exam practice test for free get started i already have an account start with 285 practice questions for free basic care and comfort 30 questions coordinated care 60 questions health promotion and maintenance 25 questions pharmacological therapies 45 questions physiological adaptation 30 questions psychosocial integrity

nclex 3500 free practice questions nursing com - Sep 17 2023

web with over 2 000 clear concise and visual lessons there is something for you free access to nclex 3500 practice questions for nursing students start practicing now with the largest bank of nclex practice questions online

nclex pn 3500 practice questions 2023 tests questions com - Jul 03 2022

web mark one answer i need to reduce my daily intake to 1 200 calories a day i need to drink at least a quart of milk a day i shouldn't add salt when i am cooking i need to eat more protein and fiber each day q 5 what is the leading cause of infertility worldwide mark one answer chlamydia syphilis trichomonas herpes

free nclex questions nclex practice tests - Sep 05 2022

web basic care comfort pharmacology risk reduction physiological adaptation nclex exam the national council licensure examination is more commonly known as the nclex exam this test is for the licensing of nurses in the u s and canada and it is taken after graduating from nursing school

free nclex pn practice test updated 2023 mometrix test - Jan 09 2023

web oct 12 2023 take our nclex pn practice test to see if you are ready for the exam get a step by step guide for the nclex pn review pinpoint your weakness and strengths on the nclex pn test

free nclex 3500 practice questions free nclex exam practice - Aug 04 2022

web may 1 2023 details category nclex cat last updated may 01 2023 usa computer adaptive testing software click here to take the test you need an account it's free over 3000 questions available list with all the tests 1 a nurse is teaching clients in a medication education group about side effects of medications

free nclex practice tests practice questions test guide - Feb 27 2022

web nov 13 2023 nclex practice exam 49 questions available to help you prepare 4tests nclex rn practice tests this pdf contains hundreds of practice questions and answers jb learning nclex rn practice test 30 practice questions for the nclex rn exam exam cram nclex pn sample questions 150 nclex pn questions

nclex pn practice questions for free 2023 update - Oct 18 2023

web oct 5 2023 our most comprehensive and updated nursing test bank that includes over 3 500 practice questions covering a wide range of nursing topics that are absolutely free nclex questions nursing test bank and review updated over 1 000 comprehensive nclex practice questions covering different nursing topics

nclex 3500 flashcards and study sets quizlet - Dec 08 2022

web learn nclex 3500 with free interactive flashcards choose from 115 different sets of nclex 3500 flashcards on quizlet

take a nclex practice test nclex test prep study com - Mar 31 2022

web to get started simply take a free nclex practice exam on study com after answering 15 questions you ll receive a diagnostic report that assesses your basic understanding of nclex nursing topics this report also recommends specific lessons that you can study in order to strengthen your nursing expertise to unlock these lessons and in depth

3500 lvn licensed vocational nurses practice questions nclex pn - Jun 14 2023

web the licensed vocational nurses lvn exam is a standardized test used to determine whether an individual has the knowledge and skills necessary to safely and effectively practice as a licensed vocational nurse the exam is typically called the national council licensure examination for practical nurses nclex pn and is administered by the

nclex 3500 practice questions pdf 2023 tests questions com - Nov 07 2022

web nclex 3500 practice questions pdf 2023 home nclex pn test 03 pn nclex practice test q 1 a client with schizophrenia is receiving depot injections of haldol decanoate haloperidol decanoate the client should be told to return for his next injection in mark one answer 1 week 2 weeks 4 weeks 6 weeks

nclex pn review lecture videos and practice questions uworld nursing - Feb 10 2023

web uworld s nclex pn review course enables you to learn your way personalize your study plan using our challenging nclex style practice questions high yield videos adaptive cat practice tests self assessment tests and targeted study tools

boardvitals for students ati - Mar 11 2023

web just like the nclex you will receive a minimum of 85 questions up to a maximum of 150 questions assess your clinical judgment practice with next gen nclex question types to boost your confidence as you work through various clinical judgement scenarios save time by creating your own study plan

nclex pn practice test questions licensed practical nurse - Jul 15 2023

web jul 31 2023 we have 150 nclex pn practice exam questions with correct answer rationales written by a leader in the healthcare exam industry

nclex pn practice questions 200 free questions 2023 - Jun 02 2022

web oct 10 2023 nclex pn practice exam 3 this test is designed to prepare you mentally for the actual nclex pn exam with 100 questions and the time allowed 120 minutes as the actual exam the nclex pn exam is breakdown into eight 8 parts here are the eight 8 domains of the nclex pn exam with the weightage and number of questions in

nclex practice questions 1 free nclex test bank 2023 nurseslabs - Aug 16 2023

web oct 3 2019 welcome to our collection of free nclex practice questions to help you achieve success on your nclex rn exam

this updated guide for 2023 includes 1 000 practice questions a primer on the nclex rn exam frequently asked questions about the nclex question types the nclex rn test plan and test taking tips and strategies

practice with nclex ngn sample questions uworld nursing - May 01 2022

web the questions on the nclex rn are designed to test your critical thinking skills and ability to apply knowledge in real world scenarios don t waste time practicing low level questions challenge yourself with our nclex rn sample questions q1 q2 q3 q4 q5

nclex practice questions free updated 2023 tests nurse - Oct 06 2022

web nclex rn tests nclex pn tests nclex flashcards free nclex practice questions your test bank for success conquer your 2023 next generation nclex exam with over 2 700 ultra realistic practice questions explore our computer adaptive exam simulator navigate through frequently asked questions and equip yourself with strategic test

İstanbul Üniversitesi hukuk fakültesi - Jan 18 2022

web ied açılımı kısaltmalar sözlüğünde what does ied stand for improvised explosive device el yapımı patlayıcı eyp gebastelten sprengkörpern toplam oy sayısı 0

ied semester 1 exam review answer key 2013 course hero - Jun 22 2022

web pltw ied final exam answer key 2018 pdf free download date 2020 2 6 size 14 3mb name ied semester 1 final exam review 2018 answer key five assignment points due on exam day follow the directions for each question pltw poe final exam 2013 answer key shmups de

getting ied final exam spring 2014 answers alt cpm com - Feb 16 2022

web oct 3 2023 ied final exam answer key 2 7 downloaded from uniport edu ng on october 3 2023 by guest comes with detailed explanations of answers to identify your strengths and weaknesses we don t just say which answers are right we also explain why the other answer choices are incorrect so you ll be prepared

pltw ied final exam answer key answers for 2023 exams - Aug 25 2022

web ied semester 1 exam review answer key 2013 doc preview pages 7 identified q as 39 solutions available total views 100 richard montgomery high technology technology introducti eridica final exam pdf 17 test prep gs301exam pdf university of the south pacific fiji geography gs301 object oriented

ied final exam review 2016 flashcards quizlet - Feb 28 2023

web ied final exam select the correct answer or type in the answer for the all short answer questions or essays tools copy this to my account e mail to a friend find other activities start over print help this activity was created by

pltw introduction to engineering design final exam answer key - May 22 2022

web pltw ied practice final exam answer key 5 16 downloaded from stats ijm org on november 4 2023 by guest peterson s is

with you every step of the way with our resources for education exploration financial aid and test prep you ll be well prepared for success comprehensive online learning guidance including tips on making the most of your

pltw ied practice exam with answers and - May 02 2023

web ied semester 1 final exam review 2017 answer key ten assignment points due on exam day follow the directions for each question write in pencil only and circle your answers be sure that you answer each question thoroughly as you will not receive credit for vague or incomplete information this exam is worth 100 points

ied kısaltması ne demek açılımı anlamı nedir - Nov 15 2021

1 35 points you will see these at carman ainsworth - Nov 27 2022

web ied semester 1 exam review answer key 2013 course hero evaluate the solution construct and test a prototype key concepts a conduct research b reflect and recommend improvements c analyze test data d

ied final exam answer key pdf uniport edu - Dec 17 2021

i e d final exam study guide flashcards quizlet - Jun 03 2023

web cut or impressed into a surface grounded component the first component placed in an assembly should be a fundamental part or sub assembly such as a frame or base plate on which the rest of the assembly is built study with quizlet and memorize flashcards containing terms like annotated sketch ansi constraint and more

all questions and answers for ied final exam quizlet - Sep 06 2023

web start studying all questions and answers for ied final exam learn vocabulary terms and more with flashcards games and other study tools

pltw ied final exam study guide flashcards quizlet - Jan 30 2023

web ied semester 1 final exam review 2018 answer key five assignment points due on exam day follow the directions for each question write in pencil only and circle your answers be sure that you answer each question thoroughly as you will not receive credit for vague or incomplete information this exam is worth 100 points 5 extra credit and

ied final exam review pltw engineering classes - Aug 05 2023

web ied final exam review review packets review packets will be checked wed june 13th practice final answer key file size 31 kb file type pdf download file practice open ended questions file size 681 kb file type pdf download file open ended questions answer key

ied final exam flashcards quizlet - Oct 07 2023

web an iterative decision making process that produces plans by which resources are converted into products or systems that

meet the human needs and wants or solve problems 2 a plan or drawing produced to show the look and function or workings of something before it is built or made 3 a decorative pattern

pltw ied practice final exam answer key pdf stats ijm - Mar 20 2022

web jul 23 2020 İstanbul Üniversitesi hukuk fakültesi 34116 beyazıt fatih İstanbul 90 2124400000 10800 90 2124400112
quia ied final exam - Dec 29 2022

web may 30 2017 this video is for engineering students of mr riedinger who want to prepare for their final exam this video gives both instructions and examples

100 points 5 extra credit carman ainsworth community schools - Apr 01 2023

web 4 4 5 reviews a written plan that identifies a problem to be solved its criteria and its constraints the design brief is used to encourage thinking of all aspects of a problem before attempting a solution

pltw ied final exam answer key 2023 form signnow - Jul 24 2022

web oct 17 2023 you may print these out and write your answers on the sheets or record your answers in your page 313
read pdf pltw ied final exam review answer key the pltw introduction to engineering design final exam elements principles of design an introduction john r the course of study includes bertram 2014 11 01 offers ways for

ied final exam prep youtube - Oct 27 2022

web pltw ied final exam answer key added by users 3864 kb s 3095 pltw ied final exam answer key checked 2726 kb s 7881

pltw ied final exam answer key 674 kb s 10014 pltw ied final exam answer key full 2420 kb s 2888 search results introduction to engineering design mr desantis

pltw ied final exam flashcards quizlet - Jul 04 2023

web a type of sketch involving a combination of a flat orthographic front with depth lines receding at a selected angle usually 45 degrees orthographic projection a method of representing three dimensional objects on a plane having only length and breadth also referred to as right angle projection

ied final exam answer key answers for 2023 exams - Sep 25 2022

web for that reason the signnow web application is a must have for filling out and putting your signature on pltw final exam answer key answer key 2023 on the move within just moments receive an electronic document with a fully legal esignature get ied final exam esigned right from your mobile phone following these six steps

pltw cybersecurity answer key - Apr 20 2022

web now creating a ied final check spring 2014 answers requires not more than 5 minutes our state web based blanks additionally crystal clear instructions eliminate human prone mistakes ied definitive exam spring 2014 answers fill press sign printable comply with our plain action to have your ied final exam jump 2014 answers developed faster

