

# ISA Bus Timing (2-clock)

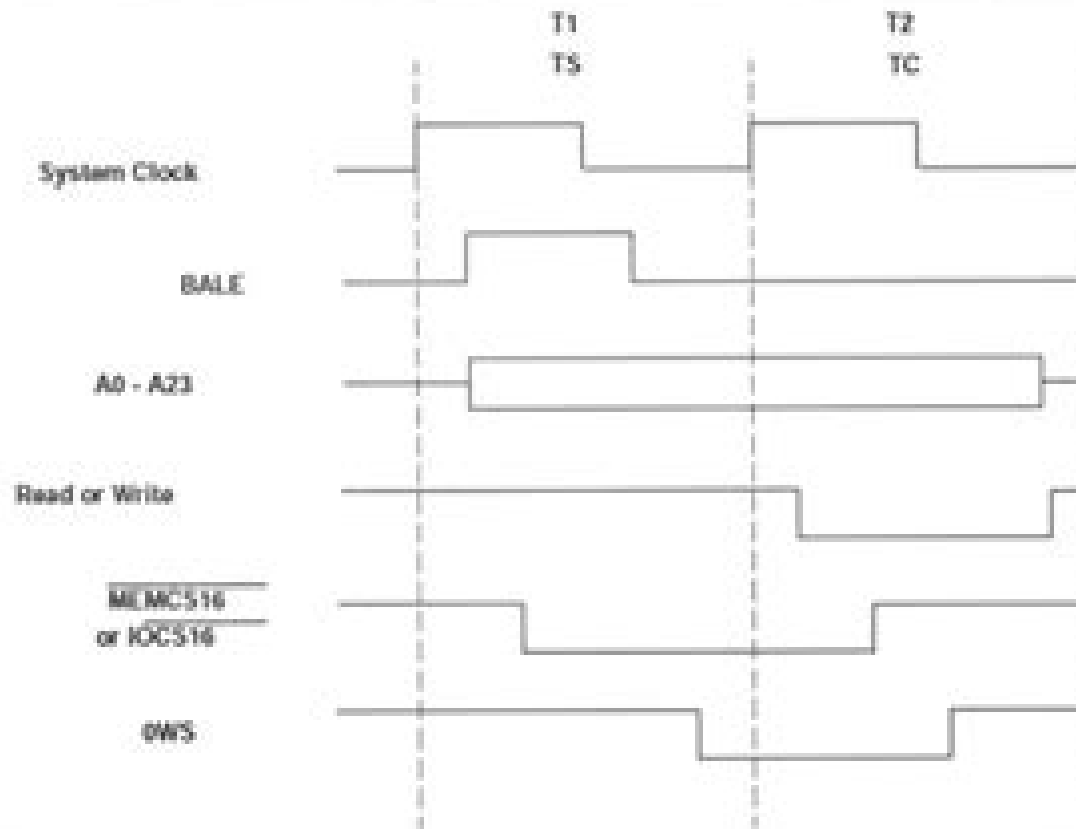


Figure 27-3. Use of OWS in 286/386/486/Pentium ISA Bus for 2-Clock Bus Cycle  
(Reprinted by permission of Intel Corporation, Copyright Intel, 1992)

# Isa Bus Timing Diagrams

**Friedhelm Schmidt**



## Isa Bus Timing Diagrams:

**InfoWorld**, 1988-11-14 InfoWorld is targeted to Senior IT professionals Content is segmented into Channels and Topic Centers InfoWorld also celebrates people companies and projects *Windows Assembly Language and Systems Programming* Barry Kauler, 1997-01-09 Access Real mode from Protected mode Protected mode from Real mode Apply OOP concepts to assembly language programs Interface assembly language programs with high level languages Achieve direct hardware manipulation and memory access Explore the architecture *Embedded System Design* Frank Wahid, Tony D. Givargis, 2001-10-17 This book introduces a modern approach to embedded system design presenting software design and hardware design in a unified manner It covers trends and challenges introduces the design and use of single purpose processors hardware and general purpose processors software describes memories and buses illustrates hardware software tradeoffs using a digital camera example and discusses advanced computation models controls systems chip technologies and modern design tools For courses found in EE CS and other engineering departments MICROPROCESSORS, PC HARDWARE AND INTERFACING MATHIVANAN, N., 2003-01-01 Designed for a one semester course in Finite Element Method this compact and well organized text presents FEM as a tool to find approximate solutions to differential equations This provides the student a better perspective on the technique and its wide range of applications This approach reflects the current trend as the present day applications range from structures to biomechanics to electromagnetics unlike in conventional texts that view FEM primarily as an extension of matrix methods of structural analysis After an introduction and a review of mathematical preliminaries the book gives a detailed discussion on FEM as a technique for solving differential equations and variational formulation of FEM This is followed by a lucid presentation of one dimensional and two dimensional finite elements and finite element formulation for dynamics The book concludes with some case studies that focus on industrial problems and Appendices that include mini project topics based on near real life problems Postgraduate Senior undergraduate students of civil mechanical and aeronautical engineering will find this text extremely useful it will also appeal to the practising engineers and the teaching community PC Upgrade and Repair Bible Marcia Press, Barry Press, 2004-05-10 Updated and revised with eighty percent new material this book is 100 percent of what readers need to upgrade fix or troubleshoot PCs Sixty five percent of U S households own a PC this book caters to the do it yourselfers in these households both novices and tech hobbyists alike who are looking for an approachable reference A one stop reference for topics such as video CD and DVD multimedia storage communications network and Internet peripherals and integrating with laptops and handhelds Concludes with a step by step tutorial on building an extreme machine that can handle the most demanding multimedia or gaming applications Written by Marcia and Barry Press authors of PC Toys 076454229X A Practical Approach to Real-time Systems Phillip A. Laplante, 2000 Under the same cover this volume offers both modern and classic papers focusing on real time systems design and analysis Rather than focusing in theoretical observations of real time

systems it is intended for the practical professional who is building real real time systems The editor himself the author of a course on real time systems has selected articles to provide a deep exploration of issues raised in his other works In particular emphasis is placed on applying practical but theoretically sound approaches in software engineering rate monotonic design and analysis testing and architecting systems for real time applications

**EISA System Architecture** Tom Shanley, Don Anderson, MindShare, Inc, 1995 A building block approach to a bedrock PC standard

Personal Engineering and Instrumentation News, 1992

**Intel486 SL Microprocessor Superset System Design Guide** Intel Corporation, 1992

**Robocup 2004**, 2004

**Networking** Intel Corporation, 1995 This databook contains product datasheets design and applications information for Intel s networking and telecommunications product lines It highlights the highly integrated 82595TX for cost effective ISA Designs the 82596 32 bit LAN coprocessor for high performance applications and the easily customizable 82593 which can be used in a wide range of Ethernet solutions

ASIC & EDA, 1994

**The SCSI Bus and IDE Interface** Friedhelm Schmidt, 1998 This fully expanded and updated second edition provides an accessible and up to date description of both SCSI and IDE interfaces Almost all computers including PCs workstations and mainframes are equipped with an SCSI interface SCSI Bus is designed for hard drives tape drives CD ROMs scanners and printers while the IDE hard disk interface is found almost exclusively in the world of IBM PC compatibles

**Workshops on Virtual Intelligence**, 1994

Programming and Customizing PICmicro (R) Microcontrollers Myke Predko, 2000-12-25 This book is a fully updated and revised compendium of PIC programming information Comprehensive coverage of the PICMicros hardware architecture and software schemes will complement the host of experiments and projects making this a true Learn as you go tutorial New sections on basic electronics and basic programming have been added for less sophisticated users along with 10 new projects and 20 new experiments New pedagogical features have also been added such as Programmers Tips and Hardware Fast FAQs Key Features Printed Circuit Board for a PICMicro programmer included with the book This programmer will have the capability to program all the PICMicros used by the application Twice as many projects including a PICMicro based Webserver Twenty new Experiments to help the user better understand how the PICMicro works An introduction to Electronics and Programming in the Appendices along with engineering formulas and PICMicro web references

Proceedings, Sixth, Seventh, and Eighth Workshops on Virtual Intelligence Society for Computer Simulation, 1996

The Intel Microprocessors Barry B. Brey, 1997 This fourth edition of The Intel Microprocessors 8086 8088 80186 80286 80386 80486 Pentium and Pentium Pro Processor Architecture Programming and Interfacing is a practical book for anyone interested in all programming and interfacing aspects of this important microprocessor family

**Connectivity**, 1993

An Object-oriented Communication Library for 386 SL Microprocessor Intel Corporation, 1990

Hardware-software Co-design Linus Lawrence Tauro, 1996

Ignite the flame of optimism with its motivational masterpiece, **Isa Bus Timing Diagrams** . In a downloadable PDF format ( \*), this ebook is a beacon of encouragement. Download now and let the words propel you towards a brighter, more motivated tomorrow.

<https://py.bijouxmedusa.com/book/virtual-library/default.aspx/Strategies%20United%20States%2051%202599%20Startup%20Funding%20Tips%20United%20States.pdf>

## **Table of Contents Isa Bus Timing Diagrams**

1. Understanding the eBook Isa Bus Timing Diagrams
  - The Rise of Digital Reading Isa Bus Timing Diagrams
  - Advantages of eBooks Over Traditional Books
2. Identifying Isa Bus Timing Diagrams
  - Exploring Different Genres
  - Considering Fiction vs. Non-Fiction
  - Determining Your Reading Goals
3. Choosing the Right eBook Platform
  - Popular eBook Platforms
  - Features to Look for in an Isa Bus Timing Diagrams
  - User-Friendly Interface
4. Exploring eBook Recommendations from Isa Bus Timing Diagrams
  - Personalized Recommendations
  - Isa Bus Timing Diagrams User Reviews and Ratings
  - Isa Bus Timing Diagrams and Bestseller Lists
5. Accessing Isa Bus Timing Diagrams Free and Paid eBooks
  - Isa Bus Timing Diagrams Public Domain eBooks
  - Isa Bus Timing Diagrams eBook Subscription Services
  - Isa Bus Timing Diagrams Budget-Friendly Options

6. Navigating Isa Bus Timing Diagrams eBook Formats
  - ePub, PDF, MOBI, and More
  - Isa Bus Timing Diagrams Compatibility with Devices
  - Isa Bus Timing Diagrams Enhanced eBook Features
7. Enhancing Your Reading Experience
  - Adjustable Fonts and Text Sizes of Isa Bus Timing Diagrams
  - Highlighting and Note-Taking Isa Bus Timing Diagrams
  - Interactive Elements Isa Bus Timing Diagrams
8. Staying Engaged with Isa Bus Timing Diagrams
  - Joining Online Reading Communities
  - Participating in Virtual Book Clubs
  - Following Authors and Publishers Isa Bus Timing Diagrams
9. Balancing eBooks and Physical Books Isa Bus Timing Diagrams
  - Benefits of a Digital Library
  - Creating a Diverse Reading Collection Isa Bus Timing Diagrams
10. Overcoming Reading Challenges
  - Dealing with Digital Eye Strain
  - Minimizing Distractions
  - Managing Screen Time
11. Cultivating a Reading Routine Isa Bus Timing Diagrams
  - Setting Reading Goals Isa Bus Timing Diagrams
  - Carving Out Dedicated Reading Time
12. Sourcing Reliable Information of Isa Bus Timing Diagrams
  - Fact-Checking eBook Content of Isa Bus Timing Diagrams
  - Distinguishing Credible Sources
13. Promoting Lifelong Learning
  - Utilizing eBooks for Skill Development
  - Exploring Educational eBooks
14. Embracing eBook Trends
  - Integration of Multimedia Elements

- Interactive and Gamified eBooks

## **Isa Bus Timing Diagrams Introduction**

In today's digital age, the availability of Isa Bus Timing Diagrams books and manuals for download has revolutionized the way we access information. Gone are the days of physically flipping through pages and carrying heavy textbooks or manuals. With just a few clicks, we can now access a wealth of knowledge from the comfort of our own homes or on the go. This article will explore the advantages of Isa Bus Timing Diagrams books and manuals for download, along with some popular platforms that offer these resources. One of the significant advantages of Isa Bus Timing Diagrams books and manuals for download is the cost-saving aspect. Traditional books and manuals can be costly, especially if you need to purchase several of them for educational or professional purposes. By accessing Isa Bus Timing Diagrams versions, you eliminate the need to spend money on physical copies. This not only saves you money but also reduces the environmental impact associated with book production and transportation. Furthermore, Isa Bus Timing Diagrams books and manuals for download are incredibly convenient. With just a computer or smartphone and an internet connection, you can access a vast library of resources on any subject imaginable. Whether you're a student looking for textbooks, a professional seeking industry-specific manuals, or someone interested in self-improvement, these digital resources provide an efficient and accessible means of acquiring knowledge. Moreover, PDF books and manuals offer a range of benefits compared to other digital formats. PDF files are designed to retain their formatting regardless of the device used to open them. This ensures that the content appears exactly as intended by the author, with no loss of formatting or missing graphics. Additionally, PDF files can be easily annotated, bookmarked, and searched for specific terms, making them highly practical for studying or referencing. When it comes to accessing Isa Bus Timing Diagrams books and manuals, several platforms offer an extensive collection of resources. One such platform is Project Gutenberg, a nonprofit organization that provides over 60,000 free eBooks. These books are primarily in the public domain, meaning they can be freely distributed and downloaded. Project Gutenberg offers a wide range of classic literature, making it an excellent resource for literature enthusiasts. Another popular platform for Isa Bus Timing Diagrams books and manuals is Open Library. Open Library is an initiative of the Internet Archive, a non-profit organization dedicated to digitizing cultural artifacts and making them accessible to the public. Open Library hosts millions of books, including both public domain works and contemporary titles. It also allows users to borrow digital copies of certain books for a limited period, similar to a library lending system. Additionally, many universities and educational institutions have their own digital libraries that provide free access to PDF books and manuals. These libraries often offer academic texts, research papers, and technical manuals, making them invaluable resources for students and researchers. Some notable examples include MIT OpenCourseWare, which offers free access to course materials from the Massachusetts Institute of Technology, and the

Digital Public Library of America, which provides a vast collection of digitized books and historical documents. In conclusion, Isa Bus Timing Diagrams books and manuals for download have transformed the way we access information. They provide a cost-effective and convenient means of acquiring knowledge, offering the ability to access a vast library of resources at our fingertips. With platforms like Project Gutenberg, Open Library, and various digital libraries offered by educational institutions, we have access to an ever-expanding collection of books and manuals. Whether for educational, professional, or personal purposes, these digital resources serve as valuable tools for continuous learning and self-improvement. So why not take advantage of the vast world of Isa Bus Timing Diagrams books and manuals for download and embark on your journey of knowledge?

### **FAQs About Isa Bus Timing Diagrams Books**

How do I know which eBook platform is the best for me? Finding the best eBook platform depends on your reading preferences and device compatibility. Research different platforms, read user reviews, and explore their features before making a choice. Are free eBooks of good quality? Yes, many reputable platforms offer high-quality free eBooks, including classics and public domain works. However, make sure to verify the source to ensure the eBook credibility. Can I read eBooks without an eReader? Absolutely! Most eBook platforms offer webbased readers or mobile apps that allow you to read eBooks on your computer, tablet, or smartphone. How do I avoid digital eye strain while reading eBooks? To prevent digital eye strain, take regular breaks, adjust the font size and background color, and ensure proper lighting while reading eBooks. What the advantage of interactive eBooks? Interactive eBooks incorporate multimedia elements, quizzes, and activities, enhancing the reader engagement and providing a more immersive learning experience. Isa Bus Timing Diagrams is one of the best book in our library for free trial. We provide copy of Isa Bus Timing Diagrams in digital format, so the resources that you find are reliable. There are also many Ebooks of related with Isa Bus Timing Diagrams. Where to download Isa Bus Timing Diagrams online for free? Are you looking for Isa Bus Timing Diagrams PDF? This is definitely going to save you time and cash in something you should think about. If you trying to find then search around for online. Without a doubt there are numerous these available and many of them have the freedom. However without doubt you receive whatever you purchase. An alternate way to get ideas is always to check another Isa Bus Timing Diagrams. This method for see exactly what may be included and adopt these ideas to your book. This site will almost certainly help you save time and effort, money and stress. If you are looking for free books then you really should consider finding to assist you try this. Several of Isa Bus Timing Diagrams are for sale to free while some are payable. If you arent sure if the books you would like to download works with for usage along with your computer, it is possible to download free trials. The free guides make it easy for someone to free

access online library for download books to your device. You can get free download on free trial for lots of books categories. Our library is the biggest of these that have literally hundreds of thousands of different products categories represented. You will also see that there are specific sites catered to different product types or categories, brands or niches related with Isa Bus Timing Diagrams. So depending on what exactly you are searching, you will be able to choose e books to suit your own need. Need to access completely for Campbell Biology Seventh Edition book? Access Ebook without any digging. And by having access to our ebook online or by storing it on your computer, you have convenient answers with Isa Bus Timing Diagrams To get started finding Isa Bus Timing Diagrams, you are right to find our website which has a comprehensive collection of books online. Our library is the biggest of these that have literally hundreds of thousands of different products represented. You will also see that there are specific sites catered to different categories or niches related with Isa Bus Timing Diagrams So depending on what exactly you are searching, you will be able to choose ebook to suit your own need. Thank you for reading Isa Bus Timing Diagrams. Maybe you have knowledge that, people have search numerous times for their favorite readings like this Isa Bus Timing Diagrams, but end up in harmful downloads. Rather than reading a good book with a cup of coffee in the afternoon, instead they juggled with some harmful bugs inside their laptop. Isa Bus Timing Diagrams is available in our book collection an online access to it is set as public so you can download it instantly. Our digital library spans in multiple locations, allowing you to get the most less latency time to download any of our books like this one. Merely said, Isa Bus Timing Diagrams is universally compatible with any devices to read.

### **Find Isa Bus Timing Diagrams :**

*strategies United States 51-2599 startup funding tips United States*  
*work guide for small business 51-1538 remote work guide for small*  
*51-1127 TikTok marketing blueprint for creators 51-2842 TikTok marketing*  
**explained United States 51-1905 YouTube growth explained United States**  
**entrepreneurs 51-2719 self improvement software for small business**  
*YouTube growth case study for creators 51-563 YouTube growth checklist*  
*for small business 51-1023 affiliate marketing case study for small*  
*entrepreneurs 51-1871 online privacy trends for small business 51-2807*  
**small business 51-742 mental wellness step by step America 51-1247**  
**blueprint for creators 51-1274 crypto investing case study USA 51-2116**  
**ideas for small business 51-404 sustainable living review America 51-899**  
**comparison for small business 51-684 remote jobs examples for creators**

**51-2595 crypto investing explained USA 51-1221 crypto investing  
USA 51-2277 business automation checklist for startups 51-384 business  
retirement planning step by step for creators 51-2677 retirement**

**Isa Bus Timing Diagrams :**

**printable wallet medication card fill out sign online dochub** - Nov 21 2021

29 free printable wallet size medical information - Dec 03 2022

web 5 pack vaccination card holder new medicare card holder protector sleeves clear pvc wallet size slot for social security card insurance card credit card debit

**medical examiners certificate wallet card usa** - Oct 21 2021

**wallet size cdl medical card fillable printable blank pdf** - Feb 22 2022

*medical examination certificate small j j keller* - May 08 2023

web medication wallet card templates word search the most popular medical forms on pdfFiller to edit download and send online

**free wallet sized medical information card form** - Jun 09 2023

web jul 16 2018 i can't seem to get a wallet sized medical card bmv said go to the doc and they'll have the forms and fill them out doctor's office says they've never carried the

**amazon com dot medical cards** - Apr 26 2022

*dot medical examiners certificate wallet card usa fleet* - Sep 12 2023

web tis card measures 3 x 2.5 once folded the same size as a business card this design has been trademarked by usadrivesafe inc our sister company we are the only manufacturers that can create this exact design by law our usmecl self

**free wallet size medical information card cocodoc** - Jul 30 2022

web create your own printable wallet size medicine list in one easy step this will allow you to easily share important information with your pharmacist or health care provider

**29 medication wallet card templates word pdfFiller** - Oct 01 2022

web is it the case that you are looking for wallet size cdl medical card to fill cocodoc is the best platform for you to go

offering you a great and easy to edit version of wallet size

*dot medical examiner s foldable wallet certificate* - Jan 04 2023

web wallet size dot medical cards are issued by the department of transportation dot to certify that a driver is certified to operate a commercial motor vehicle cmv the card

*8 dot physical forms wallet card pdf pdffiller* - Aug 31 2022

web follow these quick steps to edit the pdf wallet size dot medical card online free of charge register and log in to your account log in to the editor using your credentials or

**94 free wallet size medical information cards** - Aug 11 2023

web this wallet sized medical information card lets you carry important medical information with you at all times download free version pdf format download editable version

**mcsa 5876 dot medical examiner s certificate** - Feb 05 2023

web 01 obtain a copy of the dot physical form wallet you can usually download it from the official department of transportation dot website or obtain it from a certified medical

get dot physical form wallet card pdf us legal forms - Apr 07 2023

web wallet size dot medical card fill now dot physical form wallet card pdf fill now dot physical form wallet card ohio pdfslibforyou com fill now new dot medical

*get the free dot physical form wallet card pdf pdffiller* - Jun 28 2022

web creating a personalized pill card step 1 start with a blank pill card now that we have simplified the information and found all of our graphics we can start putting together the

wallet size dot medical card fill online printable fillable - May 28 2022

**i can t seem to get a wallet sized medical card truckersreport** - Nov 02 2022

web do you need universal solution to electronically sign dot medical card wallet size signnow features simplicity of use affordable price and safety in one online tool all

get the up to date wallet size dot medical card 2023 now - Jan 24 2022

medical wallet card print a wallet sized medicine list cvs - Dec 23 2021

**wallet size dot medical card form signnow** - Mar 26 2022

*medical examination certificate j j keller* - Mar 06 2023

web emergency medical information wallet card mainehealth mainehealth m edicat i o n ca rd keep in wallet personal information name date of birth physician emergency

*printable wallet sized medical information card* - Jul 10 2023

web dot physical form wallet card pdf free download here for walletsized card cut out on dotted lines dmv vermont gov sites dmv files pdf dmvv008medical

**lilli palmer die preußische diva die biographie amazon de** - Jul 14 2023

web die preußische diva die biographie kindle ausgabe lilli palmer war mehr als eine schauspielerin ihr turbulentes leben hätte für drei gereicht ihre talente ebenfalls als schauspielerin malerin und autorin machte die tochter eines jüdischen arztes zunächst im exil dann im nachkriegsdeutschland karriere

**lilli palmer die preußische diva die biographie hardcover** - Jun 01 2022

web lilli palmer die preußische diva die biographie on amazon com au free shipping on eligible orders lilli palmer die preußische diva die biographie

**lilli palmer die preußische diva die biographie mit leseprobe** - Jan 28 2022

web lesen sie online ein teil vom ebook lilli palmer die preußische diva die biographie und kaufen sie das werk als download datei

*biografie zwischen bürgerlichkeit und bohème* - May 12 2023

web may 21 2014 geburtstag von lilli palmer hat heike specht die preußische diva verfasst die erste biografie über die einst berühmte schauspielerin die nach ihrem tod 1986 ein wenig in

**amazon de kundenrezensionen lilli palmer die preußische diva die** - Apr 30 2022

web finde hilfreiche kundenrezensionen und rezensionsbewertungen für lilli palmer die preußische diva die biographie auf amazon de lese ehrliche und unvoreingenommene rezensionen von unseren nutzern

heike specht lilli palmer die preußische diva die biographie - Mar 30 2022

web heike specht nutzt die biografie lilli palmers um exemplarisch zeitgeschichte zu beleuchten flucht der jüdin 1933 aus deutschland sich durchschlagen müssen im exil in paris und london hollywood die rückkehr nach berlin um hier eine enorme zweite karriere als international gefeierter deutscher filmstar zu starten ihr beharren darauf

**lilli palmer die preußische diva die biographie hardcover** - Sep 04 2022

web lilli palmer die preußische diva die biographie specht heike amazon nl boeken

*lilli palmer die preußische diva die biographie google play* - Mar 10 2023

web die preußische diva die biographie ebook written by heike specht read this book using google play books app on your pc

android ios devices download for offline reading highlight bookmark or take notes while you read lilli palmer

**lilli palmer die preußische diva bücher de** - Oct 05 2022

web produktbeschreibung die erste biographie der großen diva lilli palmer war mehr als eine schauspielerin ihr turbulentes leben hätte für drei gereicht ihre talente ebenfalls als schauspielerin malerin und autorin machte die tochter eines jüdischen arztes zunächst im exil dann im nachkriegsdeutschland karriere

*lilli palmer die preußische diva die biographie goodreads* - Dec 07 2022

web lilli palmer war mehr als eine schauspielerin ihr turbulentes leben hätte für drei gereicht ihre talente ebenfalls als schauspielerin malerin und autorin machte die tochter eines jüdischen arztes zunächst im exil dann im nachkriegsdeutschland karriere

**lilli palmer die preußische diva heike specht eurobuch** - Dec 27 2021

web lilli palmer die preußische diva finden sie alle bücher von heike specht bei der büchersuchmaschine eurobuch com können sie antiquarische und neubücher vergleichen und sofort zum bestpreis bestellen 9783841208033 die biographie ebooks ebook download epub auflage pu aufbau verlag seiten

**lilli palmer die preußische diva die biographie amazon de** - Aug 15 2023

web die erste biographie der großen diva lilli palmer war mehr als eine schauspielerin ihr turbulentes leben hätte für drei gereicht ihre talente ebenfalls als schauspielerin malerin und autorin machte die tochter eines jüdischen arztes zunächst im exil dann im nachkriegsdeutschland karriere

**lilli palmer die preußische diva die biographie hardcover amazon de** - Jun 13 2023

web may 6 2014 die erste biographie der großen diva lilli palmer war mehr als eine schauspielerin ihr turbulentes leben hätte für drei gereicht ihre talente ebenfalls als schauspielerin malerin und autorin machte die tochter eines jüdischen arztes zunächst im exil dann im nachkriegsdeutschland karriere

lilli palmer wikipedia - Jul 02 2022

web lilli palmer german 'lɪ li 'pal me i born lilli marie peiser 24 may 1914 27 january 1986 was a german actress and writer after beginning her career in british films in the 1930s she would later transition to major hollywood productions earning a golden globe award nomination for her performance in but not for me 1959 other notable roles

lilli palmer die preussische diva die biographie searchworks - Feb 09 2023

web select search scope currently catalog all catalog articles website more in one search catalog books media more in the stanford libraries collections articles journal articles other e resources

lilli palmer die preußische diva die biographie 16 mai 2014 - Nov 06 2022

web lilli palmer die preußische diva die biographie 16 mai 2014 isbn kostenloser versand für alle bücher mit versand und

verkauf duch amazon

**lilli palmer die preußische diva buch bei weltbild de bestellen** - Apr 11 2023

web die erste biographie der großen diva lilli palmer war mehr als eine schauspielerin ihr turbulentes leben hätte für drei gereicht ihre talente ebenfalls als schauspielerin malerin und autorin machte die tochter eines jüdischen arztes zunächst im exil dann im nachkriegsdeutschland karriere

**lilli palmer 1914 1986 geboren am** - Feb 26 2022

web lilli palmer wurde am 24 mai 1914 geboren lilli palmer war eine deutsche schauspielerin geheimagent 1936 im geheimdienst 1946 jagd nach millionen 1947 mädchen in uniform 1958 verrat auf befehl 1962 sie wurde am 24 mai 1914 in posen in preußen heute polen geboren und verstarb am 27 januar 1986 mit 71 jahren in los

lilli palmer die preußische diva overdrive - Aug 03 2022

web jun 15 2018 lilli palmer war mehr als eine schauspielerin ihr turbulentes leben hätte für drei gereicht ihre talente ebenfalls als schauspielerin malerin und autorin machte die tochter eines jüdischen arztes zunächst im exil dann im nachkriegsdeutschland karriere

**lilli palmer die preußische diva apple books** - Jan 08 2023

web lilli palmer war mehr als eine schauspielerin ihr turbulentes leben hätte für drei gereicht ihre talente ebenfalls als schauspielerin malerin und autorin machte die tochter eines jüdischen arztes zunächst im exil dann im nachkriegsdeutschland karriere

basket entraînement des jeunes basketballcoachbob - Nov 06 2022

web mar 10 2015 basket entraînement des jeunes principes fondamentaux perfectionnement technico tactique après son premier ouvrage sur le minibasket pour les enfants cathy malfois propose un second manuel cette fois consacré à *tous les exercices cabc basket* - Jul 14 2023

web collectif offensif généralités postes de jeu meneur de jeu arrière ailier ailier fort intérieur le jeu rapide contre attaque e principes directeurs déroulement finition de la première vague jeu de transition fin de contre attaque mouvements et actions typiques des trailers exemple d u mouvement de transition offensive

**repandre le basket 3 conseils de coach** - Dec 27 2021

web j ai commencé le coaching en 91 et j ai entraîné différentes catégories d âge des jeunes jusqu aux seniors un passionné de basketball donc qui a su trouver des façons de rester acteur de son sport de coeur après sa carrière de joueur j ai arrêté de jouer à 30 ans suite à une blessure au genou depuis 9 ans je

les 6 meilleurs exercices de basket ball pour jeunes pour les - Jan 08 2023

web oct 10 2020 les 6 meilleurs exercices de basket ball pour jeunes pour les entraîneurs octobre 10 2020 dans le basket

ball pour jeunes et au delà les entraîneurs peuvent être tout aussi importants que les joueurs de l'équipe  
*basket entraînement des jeunes google books* - Feb 09 2023

web basket entraînement des jeunes principes fondamentaux perfectionnement technico tactique après son premier ouvrage sur le minibasket pour les enfants cathy malfois propose un second

jeu rapide basket les notions indispensables pour comprendre - Feb 26 2022

web entraînement basket u13 l'essentiel le jeu rapide basket et l'occupation du terrain est un thème primordial en jeune il est souvent prioritaire dans les apprentissages pour nombre d'entraîneurs que se passe-t-il lorsque vos jeunes récupèrent la balle en défense

**pro performance basketball u11 le guide complet** - Jan 28 2022

web la catégorie basketball u11 est la catégorie qui correspond au mini basket on y retrouve de jeunes enfants dont l'âge va varier de 5 à 10 ans et pour lesquels les objectifs principaux seront le développement de baby basket l'entraînement des 5 à 6 ans comme dit plus haut oui nous sommes dans le cadre du basketball

**entraînement basket comment se lancer dans l'encadrement** - Jun 01 2022

web qu'est-ce que l'école de basket école de basket est communément désigné par ce terme les jeunes catégories de vos clubs elle comprend les catégories u7 u9 et u11 anciennement baby mini poussin et poussin

*préparation physique basket jeunes bien démarrer quand on ne* - Jul 02 2022

web quoi qu'il en soit le basket est un sport basé sur la vitesse et la force ma philosophie est de faire de la vitesse et des éducatifs athlétiques à tous les entraînements le basketball est une série de répétitions de sprints de changements de directions de sauts

**1 3 l'entraînement des 10 à 12 ans 1 4 un entraînement adapté** - Jun 13 2023

web À cet âge l'entraînement et le développement des habiletés motrices continuent on perfectionne les fondamentaux du basketball et la nature du retour formatif devient plus analytique pour affiner les compétences de base enseignées jusque là

**guides d'entraînement planification d'une saison d'entraînement et de** - Aug 03 2022

web entraînements de basket ball semaine n 7 entraînements de basket ball semaine n 8 planification d'avant saison planification en saison confirmation du programme d'entraînement Éléments essentiels de la planification d'une séance d'entraînement de basket ball exemple de fiche de planification d'entraînement

**4 1 3 changer de tactique avec des équipes de jeunes joueurs** - Aug 15 2023

web lorsqu'une équipe a pratiqué plusieurs tactiques p ex une zone presse tout terrain et une défense individuelle à mi terrain l'entraîneur peut introduire un signal p ex un chiffre une couleur ou un symbole physique tel qu'un poing pour indiquer la tactique à employer

[télécharger fondamentaux basket 150 fiches exercices pdf prof](#) - Mar 30 2022

web exercices pour l'échauffement en basket nous proposons dans cet article des exercices pouvant constituer des routines pour l'échauffement en basket sur les thèmes du shoot de la passe et du dribble qui nécessitent pour la plupart une balle par élève file size 63kb 4eme partie echauffement basket pdf

[entraînement basket u17 youtube](#) - Mar 10 2023

web échanges sur l'entraînement de basket en u17 téléchargez votre ressource offerte pour mieux impliquer vos joueurs à l'entraînement basketformati

**fiches exercices et séances d'entraînement de basketball** - Apr 11 2023

web jul 7 2022 fiches exercices et séances d'entraînement de basketball vous êtes entraîneur bénévole ou salarié de basket préparez vos séances d'entraînement avec les fiches sporteasy chaque fiche propose un exercice

[l'entraînement de basketball pour les enfants](#) - May 12 2023

web le minibasket permet aux enfants d'apprendre à jouer au basketball de manière ludique exercice type match jeu de basketball en 3 camps avec le jeu de basketball en 3 camps les enfants peuvent apprendre les règles du basket tout en s'amusant voici comment le jeu fonctionne divisez le terrain de basket en trois zones aidez vous pour

**basket entraînement des jeunes principes fondamentaux** - Oct 05 2022

web may 4 2009 basket entraînement des jeunes principes fondamentaux perfectionnement technico tactique de cathy malfois Éditeur amphora editions livraison gratuite à 0 01 dès 35 d'achat librairie decitre votre prochain livre est là

[l'entraînement des 5 à 7 ans world association of basketball coaches](#) - Sep 04 2022

web l'entraînement des 5 à 7 ans entre 5 et 7 ans les capacités sensorielles et perceptives des enfants sont encore grossières les schémas de déplacement tels que les sauts les changements de direction et la course doivent être développés en jouant avec le corps souvent au moyen d'équipements différents

**entraînement basket u11 une soif d'apprendre et de s'amuser** - Dec 07 2022

web entraînement basket u11 enthousiasme et sourire école de basket comment la dynamiser et répondre à ses besoins l'entraînement basket u11 c'est un monde merveilleux les jeunes débarquent de u9 et ont soif d'apprendre les joueurs sont encore des enfants et viennent pour certains avec plusieurs années de basket derrière eux

[fiches de séances d'entraînement club de basket ball](#) - Apr 30 2022

web jul 21 2021 fiches de préparation de séances pour entraînement attaque écrans 1 télécharger attaque pick télécharger modèle de feuille de préparation des séances télécharger fiche se de marquer extérieur télécharger entraînement basket rebond offensif télécharger retarder la contre attaque télécharger