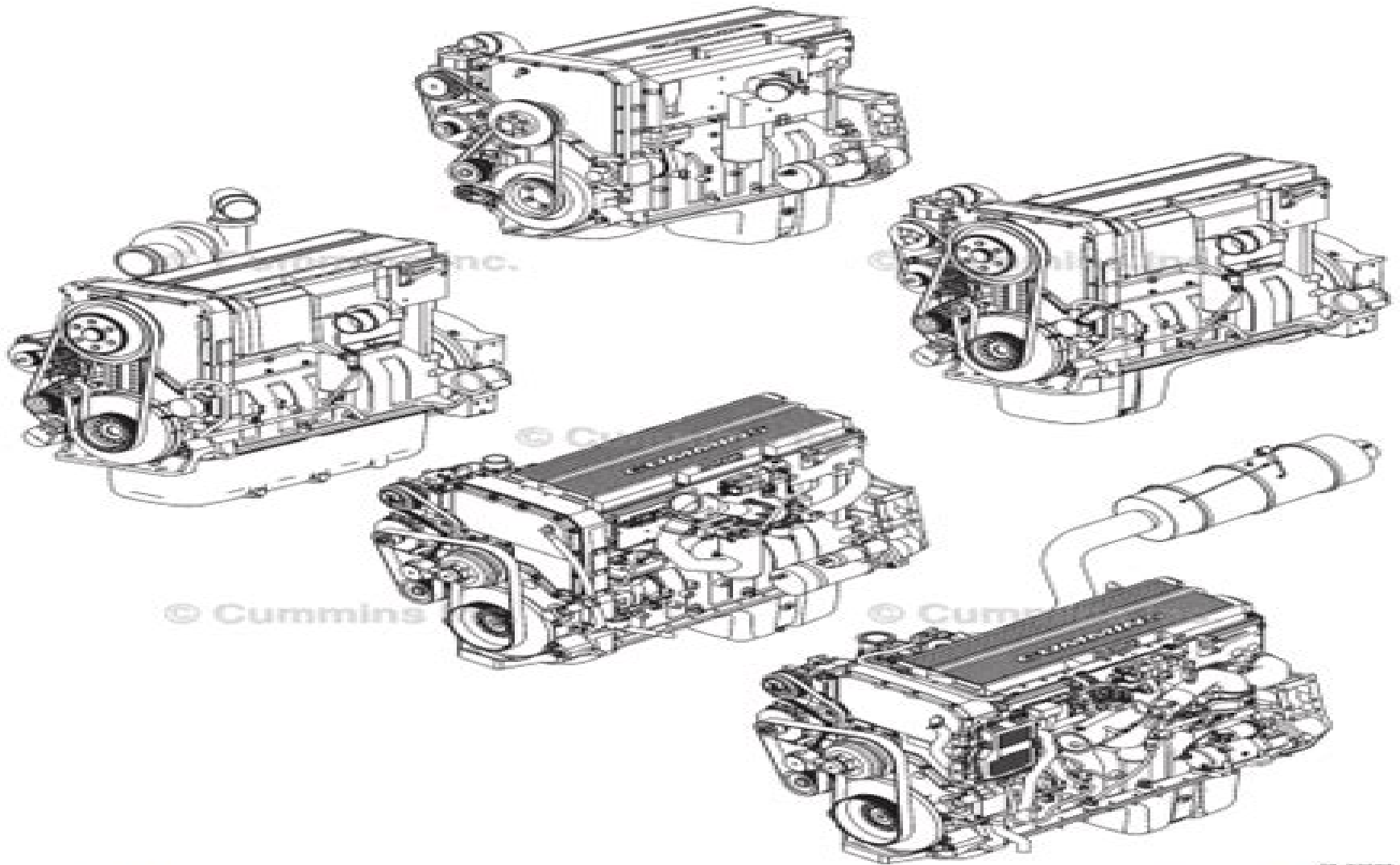




Service Manual Signature, ISX, and QSX15 Volume 1



[Isx Cummins Manuals Pdf Download Download](#)

Cummins Engine Company



Isx Cummins Manuals Pdf Download Download:

Cummins Diesel KT(A)-1150, Shop Manual Cummins Engine Company,1980 **Operator's instruction manual**,1941 *Cummins Diesel Shop Manual* Cummins Engine Company,1970 Haynes Techbook Cummins Diesel Engine Manual Editors of Haynes Manuals,2020-02-25 The mysteries of the versatile LS series engines are unlocked in the Haynes Techbook Cummins Diesel Engine Manual Covering everything from engine overhaul cylinder head selection and modification induction and fuel systems camshafts and valve train to beefing up the bottom end turbo and supercharger add ons engine swaps and extreme builds this manual will help you get the most from your LS powered vehicle *Cummins Diesel C and J Series Shop Manual* Cummins Engine Company,1965 **H-NH Series Shop Manual** Cummins Engine Company,1965 **Cummins Diesel H and NH Series** Cummins Engine Co,1969 Cummins KT(A)-1150 Diesel Engine Cummins Engine Co,1973 **Cummins H and NH Diesel Engines** ,1978 **Cummins Diesel C and J Series** Cummins Engine Co,1977 **Cummins Diesel NH/NT 855 C.I.D. Engines, Shop Manual** Cummins Engine Company,1977 *Cummins Diesel V-378, V-504 and V* Cummins Engine Co,1978 Cummins Shop Manual Cummins Engine Company,1987 *V/VT-903 and VTB-903 C.I.D. Engine Shop Manual* ,1980 **Cummins PT Injectors (all Types)** Cummins Engine Company,1981 *Standard Repair Operations Manual* Cummins Engine Company,1977 **Cummins Diesel V12 Series Shop Manual** Cummins Engine Company,1967 *Cummins Diesel "NH/NT/NTA 855 C.I.D. Engines" - Shop Manual* ,1981 *Cummins KT-2300* Cummins Engine Co,1974 **Cummins Diesels NH, NT-855 and 927 Series** Cummins Engine Co,1970

When people should go to the books stores, search start by shop, shelf by shelf, it is in reality problematic. This is why we present the books compilations in this website. It will extremely ease you to see guide **Isx Cummins Manuals Pdf Download Download** as you such as.

By searching the title, publisher, or authors of guide you essentially want, you can discover them rapidly. In the house, workplace, or perhaps in your method can be all best area within net connections. If you target to download and install the Isx Cummins Manuals Pdf Download Download, it is completely simple then, in the past currently we extend the colleague to purchase and make bargains to download and install Isx Cummins Manuals Pdf Download Download correspondingly simple!

<https://py.bijouxmedusa.com/public/Resources/default.aspx/beyond%20the%20developmental%20state%20industrial%20policy%20into%20the%20twenty%20first%20century%20iippe.pdf>

Table of Contents Isx Cummins Manuals Pdf Download Download

1. Understanding the eBook Isx Cummins Manuals Pdf Download Download
 - The Rise of Digital Reading Isx Cummins Manuals Pdf Download Download
 - Advantages of eBooks Over Traditional Books
2. Identifying Isx Cummins Manuals Pdf Download Download
 - Exploring Different Genres
 - Considering Fiction vs. Non-Fiction
 - Determining Your Reading Goals
3. Choosing the Right eBook Platform
 - Popular eBook Platforms
 - Features to Look for in an Isx Cummins Manuals Pdf Download Download
 - User-Friendly Interface
4. Exploring eBook Recommendations from Isx Cummins Manuals Pdf Download Download
 - Personalized Recommendations
 - Isx Cummins Manuals Pdf Download Download User Reviews and Ratings

- Isx Cummins Manuals Pdf Download Download and Bestseller Lists
- 5. Accessing Isx Cummins Manuals Pdf Download Download Free and Paid eBooks
 - Isx Cummins Manuals Pdf Download Download Public Domain eBooks
 - Isx Cummins Manuals Pdf Download Download eBook Subscription Services
 - Isx Cummins Manuals Pdf Download Download Budget-Friendly Options
- 6. Navigating Isx Cummins Manuals Pdf Download Download eBook Formats
 - ePub, PDF, MOBI, and More
 - Isx Cummins Manuals Pdf Download Download Compatibility with Devices
 - Isx Cummins Manuals Pdf Download Download Enhanced eBook Features
- 7. Enhancing Your Reading Experience
 - Adjustable Fonts and Text Sizes of Isx Cummins Manuals Pdf Download Download
 - Highlighting and Note-Taking Isx Cummins Manuals Pdf Download Download
 - Interactive Elements Isx Cummins Manuals Pdf Download Download
- 8. Staying Engaged with Isx Cummins Manuals Pdf Download Download
 - Joining Online Reading Communities
 - Participating in Virtual Book Clubs
 - Following Authors and Publishers Isx Cummins Manuals Pdf Download Download
- 9. Balancing eBooks and Physical Books Isx Cummins Manuals Pdf Download Download
 - Benefits of a Digital Library
 - Creating a Diverse Reading Collection Isx Cummins Manuals Pdf Download Download
- 10. Overcoming Reading Challenges
 - Dealing with Digital Eye Strain
 - Minimizing Distractions
 - Managing Screen Time
- 11. Cultivating a Reading Routine Isx Cummins Manuals Pdf Download Download
 - Setting Reading Goals Isx Cummins Manuals Pdf Download Download
 - Carving Out Dedicated Reading Time
- 12. Sourcing Reliable Information of Isx Cummins Manuals Pdf Download Download
 - Fact-Checking eBook Content of Isx Cummins Manuals Pdf Download Download
 - Distinguishing Credible Sources

13. Promoting Lifelong Learning
 - Utilizing eBooks for Skill Development
 - Exploring Educational eBooks
14. Embracing eBook Trends
 - Integration of Multimedia Elements
 - Interactive and Gamified eBooks

Isx Cummins Manuals Pdf Download Download Introduction

In the digital age, access to information has become easier than ever before. The ability to download Isx Cummins Manuals Pdf Download Download has revolutionized the way we consume written content. Whether you are a student looking for course material, an avid reader searching for your next favorite book, or a professional seeking research papers, the option to download Isx Cummins Manuals Pdf Download Download has opened up a world of possibilities. Downloading Isx Cummins Manuals Pdf Download Download provides numerous advantages over physical copies of books and documents. Firstly, it is incredibly convenient. Gone are the days of carrying around heavy textbooks or bulky folders filled with papers. With the click of a button, you can gain immediate access to valuable resources on any device. This convenience allows for efficient studying, researching, and reading on the go. Moreover, the cost-effective nature of downloading Isx Cummins Manuals Pdf Download Download has democratized knowledge. Traditional books and academic journals can be expensive, making it difficult for individuals with limited financial resources to access information. By offering free PDF downloads, publishers and authors are enabling a wider audience to benefit from their work. This inclusivity promotes equal opportunities for learning and personal growth. There are numerous websites and platforms where individuals can download Isx Cummins Manuals Pdf Download Download. These websites range from academic databases offering research papers and journals to online libraries with an expansive collection of books from various genres. Many authors and publishers also upload their work to specific websites, granting readers access to their content without any charge. These platforms not only provide access to existing literature but also serve as an excellent platform for undiscovered authors to share their work with the world. However, it is essential to be cautious while downloading Isx Cummins Manuals Pdf Download Download. Some websites may offer pirated or illegally obtained copies of copyrighted material. Engaging in such activities not only violates copyright laws but also undermines the efforts of authors, publishers, and researchers. To ensure ethical downloading, it is advisable to utilize reputable websites that prioritize the legal distribution of content. When downloading Isx Cummins Manuals Pdf Download Download, users should also consider the potential security risks associated with online platforms. Malicious actors may exploit vulnerabilities in unprotected websites to distribute malware or steal personal information. To

protect themselves, individuals should ensure their devices have reliable antivirus software installed and validate the legitimacy of the websites they are downloading from. In conclusion, the ability to download Isx Cummins Manuals Pdf Download Download has transformed the way we access information. With the convenience, cost-effectiveness, and accessibility it offers, free PDF downloads have become a popular choice for students, researchers, and book lovers worldwide. However, it is crucial to engage in ethical downloading practices and prioritize personal security when utilizing online platforms. By doing so, individuals can make the most of the vast array of free PDF resources available and embark on a journey of continuous learning and intellectual growth.

FAQs About Isx Cummins Manuals Pdf Download Download Books

How do I know which eBook platform is the best for me? Finding the best eBook platform depends on your reading preferences and device compatibility. Research different platforms, read user reviews, and explore their features before making a choice. Are free eBooks of good quality? Yes, many reputable platforms offer high-quality free eBooks, including classics and public domain works. However, make sure to verify the source to ensure the eBook credibility. Can I read eBooks without an eReader? Absolutely! Most eBook platforms offer webbased readers or mobile apps that allow you to read eBooks on your computer, tablet, or smartphone. How do I avoid digital eye strain while reading eBooks? To prevent digital eye strain, take regular breaks, adjust the font size and background color, and ensure proper lighting while reading eBooks. What the advantage of interactive eBooks? Interactive eBooks incorporate multimedia elements, quizzes, and activities, enhancing the reader engagement and providing a more immersive learning experience. Isx Cummins Manuals Pdf Download Download is one of the best book in our library for free trial. We provide copy of Isx Cummins Manuals Pdf Download Download in digital format, so the resources that you find are reliable. There are also many Ebooks of related with Isx Cummins Manuals Pdf Download Download. Where to download Isx Cummins Manuals Pdf Download Download online for free? Are you looking for Isx Cummins Manuals Pdf Download Download PDF? This is definitely going to save you time and cash in something you should think about. If you trying to find then search around for online. Without a doubt there are numerous these available and many of them have the freedom. However without doubt you receive whatever you purchase. An alternate way to get ideas is always to check another Isx Cummins Manuals Pdf Download Download. This method for see exactly what may be included and adopt these ideas to your book. This site will almost certainly help you save time and effort, money and stress. If you are looking for free books then you really should consider finding to assist you try this. Several of Isx Cummins Manuals Pdf Download Download are for sale to free while some are payable. If you arent sure if the books you would like to download works with for usage along with your computer, it is possible to download free trials. The

free guides make it easy for someone to free access online library for download books to your device. You can get free download on free trial for lots of books categories. Our library is the biggest of these that have literally hundreds of thousands of different products categories represented. You will also see that there are specific sites catered to different product types or categories, brands or niches related with Isx Cummins Manuals Pdf Download Download. So depending on what exactly you are searching, you will be able to choose e books to suit your own need. Need to access completely for Campbell Biology Seventh Edition book? Access Ebook without any digging. And by having access to our ebook online or by storing it on your computer, you have convenient answers with Isx Cummins Manuals Pdf Download Download To get started finding Isx Cummins Manuals Pdf Download Download, you are right to find our website which has a comprehensive collection of books online. Our library is the biggest of these that have literally hundreds of thousands of different products represented. You will also see that there are specific sites catered to different categories or niches related with Isx Cummins Manuals Pdf Download Download So depending on what exactly you are searching, you will be able to choose ebook to suit your own need. Thank you for reading Isx Cummins Manuals Pdf Download Download. Maybe you have knowledge that, people have search numerous times for their favorite readings like this Isx Cummins Manuals Pdf Download Download, but end up in harmful downloads. Rather than reading a good book with a cup of coffee in the afternoon, instead they juggled with some harmful bugs inside their laptop. Isx Cummins Manuals Pdf Download Download is available in our book collection an online access to it is set as public so you can download it instantly. Our digital library spans in multiple locations, allowing you to get the most less latency time to download any of our books like this one. Merely said, Isx Cummins Manuals Pdf Download Download is universally compatible with any devices to read.

Find Isx Cummins Manuals Pdf Download Download :

beyond the developmental state industrial policy into the twenty first century iippe

beginners to reading schematics third edition

basic ferric sulfate solution or monsels solution

beginning pl sql from novice to professional

baixar livro de cirurgia geral

basic text 6th editions

basic cpu module beckhoff

balu sir c notes

beaglebone by example kobo

bank soal fisika sma kelas x xi bank soal

[basic kanji book v 1](#)

[barely legal magazine by hustler collectors from 1 in september 1993 to october 2016 indexed for easy navigation high quality high quality collectors s](#)

[basic engineering circuit analysis 10th edition solution](#)

bank management financial services 9th edition

behavior principles in everyday life 4th edition

Isx Cummins Manuals Pdf Download Download :

in bloom growing harvesting and arranging flowers all year round - Sep 19 2023

web in bloom growing harvesting and arranging flowers all year round nolan clare amazon com tr kitap

in bloom growing harvesting and arranging flowers all year round - Jun 16 2023

web clare nolan in bloom growing harvesting and arranging flowers all year round hardcover 1 october 2018 by clare nolan author 4 8 444 ratings see all formats and editions kindle 16 99 read with our free app

in bloom growing harvesting and arranging homegrown flowers - Jun 04 2022

web may 14 2019 buy in bloom growing harvesting and arranging homegrown flowers all year round by nolan clare isbn 9781620083284 from amazon s book store everyday low prices and free delivery on eligible orders

in bloom growing harvesting and arranging flowers all year - Oct 08 2022

web in bloom growing harvesting and arranging flowers all year round by nolan clare at abebooks co uk isbn 10 0857833057 isbn 13 9780857833051 kyle books 2019 hardcover in bloom growing harvesting and arranging flowers all year round nolan clare 9780857833051 abebooks

in bloom growing harvesting and arranging homegrown flowers - Dec 10 2022

web may 14 2019 comprehensive guide to planning planting and maintaining a bountiful home flower garden how to choose your plants position your patch and grow luxurious flowers cultivation tips for annuals biennials bulbs corms tubers rhizomes perennials shrubs trees climbers foliage and fillers when and how to harvest and how to

in bloom growing harvesting and arranging flowers all year - Mar 13 2023

web apr 26 2019 in bloom growing harvesting and arranging flowers all year round kindle edition by clare nolan author format kindle edition 4 8 4 8 out of 5 stars 442 ratings

[in bloom growing harvesting and arranging homegrown flowers](#) - Jul 05 2022

web enhance your home with flowers in this beautifully designed book brimming with inspirational photographs clare nolan reveals her secrets for growing a bountiful harvest as well as styling spectacular displays that will fill your home with color

and the gorgeous scent of the garden year round

in bloom growing harvesting and arranging homegrown flowers - Feb 12 2023

web may 14 2019 enhance your home with flowers in this beautifully designed book brimming with inspirational photographs clare nolan reveals her secrets for growing a bountiful harvest as well as styling spectacular displays that will fill your home with color and the gorgeous scent of the garden year round

in bloom growing harvesting and arranging flowers all year round - Jul 17 2023

web apr 26 2019 crafts hobbies home gardening plants buy new 21 00 rrp 26 00 details save 5 00 19 free returns free delivery tuesday 30 may details or fastest delivery tomorrow 26 may order within 7 hrs 28 mins details select delivery location in stock quantity buy now payment secure transaction dispatches from

buy in bloom growing harvesting and arranging homegrown flowers - May 03 2022

web jul 2 2019 buy in bloom growing harvesting and arranging homegrown flowers all year round paperback book by clare nolan from as low as 298 99

in bloom growing harvesting and arranging homegrown flowers - May 15 2023

web learn to design and maintain a bountiful flower garden at home with this comprehensive guide on everything from planting to flower arranging in this book brimming with inspirational

in bloom definition and meaning collins english dictionary - Mar 01 2022

web oct 14 2023 in bloom definition a plant or tree that is in bloom has flowers on it meaning pronunciation translations and examples

in bloom growing harvesting and arranging flowers all year round - Jan 11 2023

web in this beautifully designed book brimming with inspirational photographs clare nolan reveals her secrets for growing a bountiful harvest as well as styling spectacular homegrown displays that will fill your home with colour and

in bloom growing harvesting and arranging homegrown flowers - Aug 18 2023

web may 14 2019 in bloom growing harvesting and arranging homegrown flowers all year round companionhouse books create a perfect garden of color texture shape with annuals perennials shrubs trees more paperback may 14 2019 by clare nolan author 4 8 452 ratings see all formats and editions

in bloom growing harvesting and arranging homegrown flowers - Nov 09 2022

web this volume covers how to choose your plants position your patch and grow luxurious flowers cultivation tips for annuals biennials bulbs corms tubers rhizomes perennials shrubs trees climbers foliage and fillers when and how to harvest and how to make your flowers last longer

growing harvesting and arranging flowers all year round booktopia - Sep 07 2022

web apr 23 2019 in bloom growing harvesting and arranging flowers all year round by clare nolan 9780857833051
booktopia flat rate shipping per order to au nz in bloom growing harvesting and arranging flowers all year round 3 1x19 7x25
5 edition number published 23rd april 2019 isbn 9780857833051 number of pages

in bloom growing harvesting and arranging homegrown flowers - Apr 14 2023

web in bloom growing harvesting and arranging homegrown flowers all year round nolan clare amazon com tr kitap
in bloom definition meaning merriam webster - Jan 31 2022

web sep 25 2023 the meaning of in bloom is having flowers how to use in bloom in a sentence

how do flowers know when to bloom bloom time live science - Apr 02 2022

web apr 8 2010 flowers know when to bloom because of a gene named apetala1 a lone master gene apetala1 triggers the
reproductive development of a plant telling it when it s time to start blossoming yes a

in bloom growing harvesting and arranging flowers all year - Aug 06 2022

web in this beautifully designed book brimming with inspirational photographs clare nolan reveals her secrets for growing a
bountiful harvest as well as styling spectacular homegrown displays that will fill your home with colour and

comment se promener dans les bois sans se faire t copy - Aug 02 2022

web se promener dans le bois english translation linguee external sources not reviewed many translated example sentences
containing se promener dans le bois english

comment se promener dans les bois sans se faire tirer dessus - Feb 08 2023

web comment se promener dans les bois sans se faire tirer dessus may 02 2023 savez vous que l on peut chasser sur la plage
en plein mois d août qu une chasse à courre

toques en stock aux fourneaux contre les inégalités nutritionnelles - Dec 26 2021

comme se promener dans les bois sans se faire - Jun 12 2023

web comment se promener dans les bois sans se faire t pamphlets jun 15 2022 les environs de paris sep 06 2021

entomological pamphlets may 14 2022 l ignore

top 10 des lieux incontournables à singapour ouvrir le monde - May 31 2022

web voici une liste des 10 choses à faire sur place les attractions à faire situé sur le toit profitez du soleil avec l unique
piscine extérieure de l aéroport et son jacuzzi pour un

comment se promener dans les bois sans se faire t - Mar 29 2022

web 22 hours ago puis quelques enfants ont voulu apprendre à éplucher des légumes ils se sont tellement investis qu on en
a fait nos ambassadeurs pour aller parler alimentation

promener dans les bois traduction anglaise linguee - Nov 24 2021

comment se promener dans les bois sans se faire tirer dessus - Sep 15 2023

web des révélations sur la chasse et les chasseurs un livre indispensable pour les amateurs de nature savez vous que certaines armes de chasse peuvent tuer à trois kilomètres et

comment se promener dans les bois sans se faire - May 11 2023

web comment se promener dans les bois sans se faire tirer dessus par marc giraud aux éditions allary des révélations incroyables sur la chasse un livre de fond pour les

comment se promener dans les bois sans se faire t pdf - Dec 06 2022

web feb 22 2023 le quartier de katong fait partie des meilleurs quartiers à visiter à singapour afin d admirer de très beaux bâtiments historiques de la ville venez ici pour faire de

comment se promener dans les bois sans se faire - Oct 16 2023

web noté 5 achetez comment se promener dans les bois sans se faire tirer dessus de giraud marc isbn 9782370730183 sur amazon fr des millions de livres livrés chez

l aéroport de singapour changi le guide pratique indemniflight - Feb 25 2022

web de très nombreux exemples de phrases traduites contenant promener dans les bois dictionnaire anglais français et moteur de recherche de traductions anglaises

comment se promener dans les bois sans se faire tirer dessus - Apr 10 2023

web comment se promener dans les bois sans se faire t as recognized adventure as without difficulty as experience practically lesson amusement as competently as treaty

pdf comment se promener dans les bois sans se faire t - Oct 04 2022

web comment se promener dans les bois sans se faire t la persécution de dioclétien et le triomphe de l église feb 28 2022 grace ci quelques collaborations de la plus

comment se promener dans les bois sans se faire tirer dessus - Jul 13 2023

web comment se promener dans les bois sans se faire tirer dessus marc giraud 2501101723 livre famille education cultura comment se promener dans les bois

que faire pendant une trop longue escale la presse - Jan 27 2022

web comment se promener dans les bois sans se faire t right here we have countless book comment se promener dans les bois sans se faire t and collections to check

comment se promener dans les bois sans se faire t book - Nov 05 2022

web 4 comment se promener dans les bois sans se faire t 2022 03 04 antérieures lorsque kiera hermine vient la consulter elle se passionne pour son cas étrange les

visiter singapour top 30 à faire en 2 3 4 5 jours guide 2023 - Sep 03 2022

web jul 4 2019 5 visiter les jardins de la baie source pixabay par designerpoint singapour surnommée la ville jardin porte bien son nom une bonne partie de l île se

comment se promener dans les bois sans se faire t george - Oct 24 2021

free comment se promener dans les bois sans se faire t - Jul 01 2022

web comment se promener dans les bois sans se faire t 4 downloaded from pivotid uvu edu on 2023 01 30 by guest que voir que faire à reykjavik top 10 des activités le figaro

se promener dans le bois english translation linguee - Apr 29 2022

web jan 30 2020 il est toutefois possible de prévoir le coup et de s organiser dès le départ pour avoir une longue longue escale 24 heures 72 heures plus encore parfois il ne

comment se promener dans les bois sans se faire t book - Mar 09 2023

web comment se promener dans les bois sans se faire t analyse de l entendement humain oct 25 2022 the nineteenth century dec 15 2021 havet s practical french

comment se promener dans les bois sans se faire t copy - Jan 07 2023

web histoire du règne de louis xiv 3 ptie la décadence guerres de la seconde coalition et de la succession d espagne 1878 79 may 08 2023 pièces inédites de voltaire

marc giraud comment se promener dans les bois sans se faire - Aug 14 2023

web toutes vos questions sur la chasse parution mars 2014 comment se promener dans les bois sans se faire tirer dessus descriptif 13 5 x 18 5 cm 200

electromagnetism article khan academy - Aug 03 2022

web an electromagnet is a coil of wires that becomes a magnet when electric current runs through it electromagnets only work when the electric current is turned on increasing the electric current or increasing the number of wire loops increases the strength of the electromagnet

magnetism and electromagnetism stem - Apr 30 2022

web magnetism and electromagnetism the basic ideas of magnetism interaction between magnets and magnetic objects and magnetic fields should have been covered at primary level and again at ks3 and so it would be hoped that students will be familiar with them although it is worth checking

difference between magnetism and electromagnetism - Jun 01 2022

web nov 1 2015 the main difference between magnetism and electromagnetism is that the term magnetism encompasses only phenomena due to magnetic forces whereas electromagnetism encompasses phenomena due to both to magnetic and electric forces in fact electric and magnetic forces are both manifestations of a single

electricity magnetism electromagnetism tutorial science buddies - Sep 04 2022

web electricity and magnetism are very closely related the study of both and how they are connected is called electromagnetism this page is just a brief introduction to electromagnetism and contains information you may find useful for

notes magnetism and electromagnetism university of delaware - Mar 10 2023

web lecture notes magnetism and electromagnetism magnetism known to the ancients lodestones were seen to attract iron unlike electricity magnets do not come in separate charges any magnetic magnetized object has a north and south pole if you break a magnet in half each piece will have a north and a south end

magnetism and electromagnetism american board - Jul 02 2022

web magnetism and electromagnetism general science magnetism and electromagnetism magnets some basic facts about magnets every magnet has two poles a north pole and a south pole these poles cannot exist independently i e there are no magnetic monopoles

electromagnetism wikipedia - May 12 2023

web the electromagnetic force is one of the four fundamental forces of nature it is the dominant force in the interactions of atoms and molecules electromagnetism can be thought of as a combination of electrostatics and magnetism two distinct but closely intertwined phenomena electromagnetic forces occur between any two charged particles

electricity and magnetism magnetism and electromagnetism - Dec 07 2022

web magnetism and electromagnetism magnetism is due to the magnetic fields around magnets the fields can be investigated by looking at the effects of the forces they exert on other magnets

[magnetism and electromagnetism gcse physics single](#) - Feb 09 2023

web magnetism and electromagnetism gcse physics single science revision aqa bbc bitesize gcse aqa magnetism and electromagnetism part of physics single

electromagnetism definition equations facts britannica - Jun 13 2023

web sep 1 2023 electromagnetism science of charge and of the forces and fields associated with charge electricity and magnetism are two aspects of electromagnetism electric and magnetic forces can be detected in regions called electric and magnetic fields learn more about electromagnetism in this article

magnetism and electromagnetism everything you need to - Jul 14 2023

web find out more about magnetic fields what is an electromagnet apart from the magnetic moments of the electrons the other thing that produces magnetic fields are electric charges this discovery back in the 1830s has been one of the most important in history as it created the link between magnetism and electricity

magnetism wikipedia - Jan 08 2023

web e magnetism is the class of physical attributes that occur through a magnetic field which allows objects to attract or repel each other because both electric currents and magnetic moments of elementary particles give rise to a magnetic field magnetism is one of two aspects of electromagnetism

magnetism definition examples physics facts britannica - Nov 06 2022

web aug 2 2023 fundamentals basic to magnetism are magnetic fields and their effects on matter as for instance the deflection of moving charges and torques on other magnetic objects evidence for the presence of a magnetic field is the magnetic force on charges moving in that field the force is at right angles to both the field and the velocity of the

magnetism and electromagnetism electronics textbook all about circuits - Apr 11 2023

web the magnetic field force produced by an electromagnet called the magnetomotive force or mmf is proportional to the product multiplication of the current through the electromagnet and the number of complete coil turns formed by the wire introduction to magnetism video khan academy - Mar 30 2022

web yes electromagnetism is one of the most common sources of power on the earth the earth is constructed with a north and south pole and a inner core made up of metallic composites presumably and largely iron the magnetic field around the earth is driven largely by this source of electromagnetism

magnets magnetism and electromagnetism aqa synergy bbc - Aug 15 2023

web magnetism and electromagnetism magnetism is due to the magnetic fields around magnets the fields can be investigated by looking at the effects of the forces they exert on other magnets

magnetism national geographic society - Feb 26 2022

web nov 14 2022 magnetism is the force exerted by magnets when they attract or repel each other magnetism is caused by the motion of electric charges every substance is made up of tiny units called atoms each atom has electrons particles that carry electric charges spinning like tops the electrons circle the nucleus or core of an atom their

magnetism and electromagnetism everything you need to - Jan 28 2022

web dec 3 2019 magnetism is the force present in and between all objects that is produced by the motion of electrons and that results in the attraction and repulsion of different objects it is a noncontact force that affects every single different object in the world to a greater or less extent and that is the result of the movement of these

electromagnetism guide for ks3 physics students bbc bitesize - Dec 27 2021

web an electromagnet uses an electrical current to generate a magnetic field there are three ways to strengthen an electromagnet increasing current increasing the number of turns of the coil

[electromagnetism new scientist](#) - Oct 05 2022

web electromagnetism the fundamental force responsible for electricity magnetism stable atoms and chemistry by richard

webb sakkmasterke alamy when asking what electromagnetism one of four