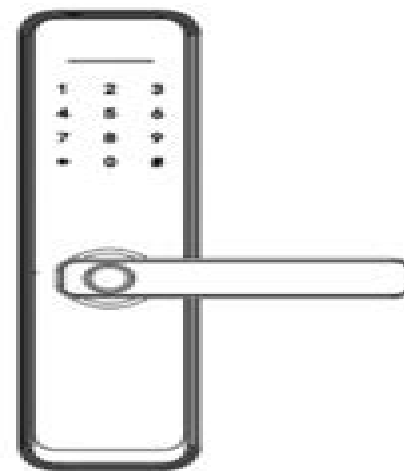


10. Technical Parameters

| Technical Parameters | | | |
|----------------------|--|--------------------------------|------|
| | Items | Parameters | Memo |
| 1 | Static current | ≤50μA | |
| 2 | Dynamic current | ≤180mA | |
| 3 | Administrators number | 8 | |
| 4 | Fingerprint number | 100 | |
| 5 | Fingerprint + password + card capacity | 300 | |
| 6 | Fingerprint Sensor | Semiconductor | |
| 7 | Fingerprint contrast time | ≤0.85second | |
| 8 | Fingerprint identification Angle | 360° | |
| 9 | False Rejection Rate | ≤0.1% | |
| 10 | False Recognition Rate | ≤0.0001% | |
| 11 | Reaction time | ≤0.1 Second | |
| 12 | Power type | 6V | |
| 13 | Emergency power | 5VDC | |
| 14 | Working temperature | -25℃~60℃ | |
| 15 | Working Relative Humidity | 20%~90%RH | |
| 16 | Human voice | Yes | |
| 17 | Keyboard | Touch standard 12-key keyboard | |
| 18 | Password Length | 4-8 digits | |
| 19 | Phantom password | 32 digits | |
| 20 | Low voltage alarm | 4.5±0.2V | |
| 21 | Unlock time | ≤1 Second | |

Instruction of smart lock



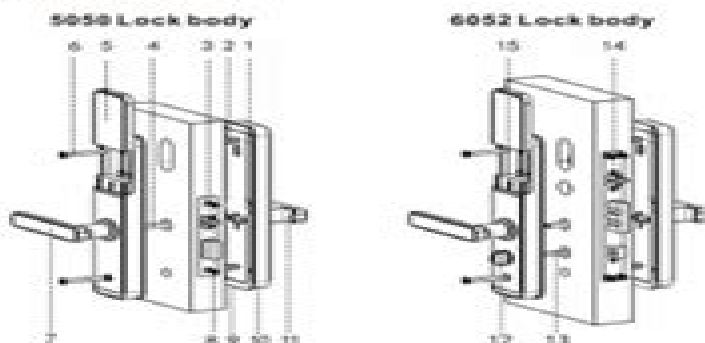
NOTICE:

1. Please read this instruction sheet before used.
2. Please take key with you or put it outside the room.

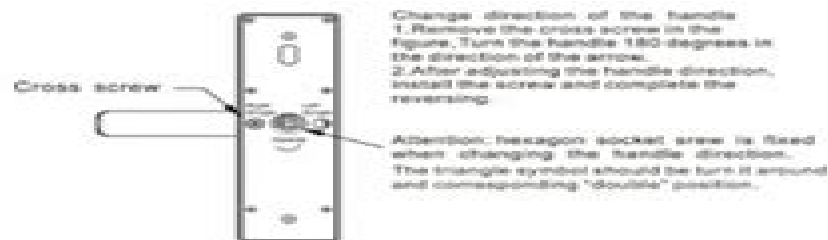
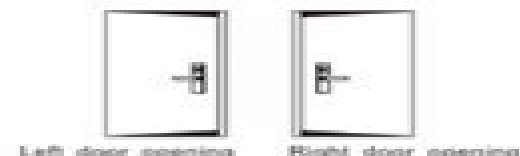
1. Installation

- a. Professional installation recommended.
- b. Pay attention to the connecting cable during installation.
- c. Please adjust the handle direction according to the instructions.
- d. It is necessary to keep the door half open during installation.
- e. After installation, please check whether fingerprint, password, IC card, key, internal and external handle, and anti lock switch can work normally.
- f. If it can't be used normally check for improper installation.

2. Installation diagram



3. Confirm the direction of the handle



4. Cutout

Refer to the hole drawing and the lock body model.

5. Install the lock body:

- 5.1 Support lock body model: 5050, 4585, 6085, 5572, 6072, 6052, ball lock, etc.
- 5.2 Adjust the direction of the diagonal tongue according

Manual E Lock

J Rink



Manual E Lock:

Manual E Lock Book Review: Unveiling the Magic of Language

In an electronic digital era where connections and knowledge reign supreme, the enchanting power of language has become more apparent than ever. Its ability to stir emotions, provoke thought, and instigate transformation is really remarkable. This extraordinary book, aptly titled "**Manual E Lock**," written by a highly acclaimed author, immerses readers in a captivating exploration of the significance of language and its profound impact on our existence. Throughout this critique, we will delve into the book's central themes, evaluate its unique writing style, and assess its overall influence on its readership.

https://py.bijouxmedusa.com/data/browse/Download_PDFS/crypto%20trading%20explained%20america%2037%202858%20crypto%20trading%20explained%20usa.pdf

Table of Contents Manual E Lock

1. Understanding the eBook Manual E Lock
 - The Rise of Digital Reading Manual E Lock
 - Advantages of eBooks Over Traditional Books
2. Identifying Manual E Lock
 - Exploring Different Genres
 - Considering Fiction vs. Non-Fiction
 - Determining Your Reading Goals
3. Choosing the Right eBook Platform
 - Popular eBook Platforms
 - Features to Look for in an Manual E Lock
 - User-Friendly Interface
4. Exploring eBook Recommendations from Manual E Lock
 - Personalized Recommendations
 - Manual E Lock User Reviews and Ratings
 - Manual E Lock and Bestseller Lists

-
5. Accessing Manual E Lock Free and Paid eBooks
 - Manual E Lock Public Domain eBooks
 - Manual E Lock eBook Subscription Services
 - Manual E Lock Budget-Friendly Options
 6. Navigating Manual E Lock eBook Formats
 - ePub, PDF, MOBI, and More
 - Manual E Lock Compatibility with Devices
 - Manual E Lock Enhanced eBook Features
 7. Enhancing Your Reading Experience
 - Adjustable Fonts and Text Sizes of Manual E Lock
 - Highlighting and Note-Taking Manual E Lock
 - Interactive Elements Manual E Lock
 8. Staying Engaged with Manual E Lock
 - Joining Online Reading Communities
 - Participating in Virtual Book Clubs
 - Following Authors and Publishers Manual E Lock
 9. Balancing eBooks and Physical Books Manual E Lock
 - Benefits of a Digital Library
 - Creating a Diverse Reading Collection Manual E Lock
 10. Overcoming Reading Challenges
 - Dealing with Digital Eye Strain
 - Minimizing Distractions
 - Managing Screen Time
 11. Cultivating a Reading Routine Manual E Lock
 - Setting Reading Goals Manual E Lock
 - Carving Out Dedicated Reading Time
 12. Sourcing Reliable Information of Manual E Lock
 - Fact-Checking eBook Content of Manual E Lock
 - Distinguishing Credible Sources
 13. Promoting Lifelong Learning

-
- Utilizing eBooks for Skill Development
 - Exploring Educational eBooks
14. Embracing eBook Trends
- Integration of Multimedia Elements
 - Interactive and Gamified eBooks

Manual E Lock Introduction

In this digital age, the convenience of accessing information at our fingertips has become a necessity. Whether its research papers, eBooks, or user manuals, PDF files have become the preferred format for sharing and reading documents. However, the cost associated with purchasing PDF files can sometimes be a barrier for many individuals and organizations. Thankfully, there are numerous websites and platforms that allow users to download free PDF files legally. In this article, we will explore some of the best platforms to download free PDFs. One of the most popular platforms to download free PDF files is Project Gutenberg. This online library offers over 60,000 free eBooks that are in the public domain. From classic literature to historical documents, Project Gutenberg provides a wide range of PDF files that can be downloaded and enjoyed on various devices. The website is user-friendly and allows users to search for specific titles or browse through different categories. Another reliable platform for downloading Manual E Lock free PDF files is Open Library. With its vast collection of over 1 million eBooks, Open Library has something for every reader. The website offers a seamless experience by providing options to borrow or download PDF files. Users simply need to create a free account to access this treasure trove of knowledge. Open Library also allows users to contribute by uploading and sharing their own PDF files, making it a collaborative platform for book enthusiasts. For those interested in academic resources, there are websites dedicated to providing free PDFs of research papers and scientific articles. One such website is Academia.edu, which allows researchers and scholars to share their work with a global audience. Users can download PDF files of research papers, theses, and dissertations covering a wide range of subjects. Academia.edu also provides a platform for discussions and networking within the academic community. When it comes to downloading Manual E Lock free PDF files of magazines, brochures, and catalogs, Issuu is a popular choice. This digital publishing platform hosts a vast collection of publications from around the world. Users can search for specific titles or explore various categories and genres. Issuu offers a seamless reading experience with its user-friendly interface and allows users to download PDF files for offline reading. Apart from dedicated platforms, search engines also play a crucial role in finding free PDF files. Google, for instance, has an advanced search feature that allows users to filter results by file type. By specifying the file type as "PDF," users can find websites that offer free PDF downloads on a specific topic. While downloading Manual E Lock free PDF files is convenient, its important to note that copyright laws must

be respected. Always ensure that the PDF files you download are legally available for free. Many authors and publishers voluntarily provide free PDF versions of their work, but its essential to be cautious and verify the authenticity of the source before downloading Manual E Lock. In conclusion, the internet offers numerous platforms and websites that allow users to download free PDF files legally. Whether its classic literature, research papers, or magazines, there is something for everyone. The platforms mentioned in this article, such as Project Gutenberg, Open Library, Academia.edu, and Issuu, provide access to a vast collection of PDF files. However, users should always be cautious and verify the legality of the source before downloading Manual E Lock any PDF files. With these platforms, the world of PDF downloads is just a click away.

FAQs About Manual E Lock Books

How do I know which eBook platform is the best for me? Finding the best eBook platform depends on your reading preferences and device compatibility. Research different platforms, read user reviews, and explore their features before making a choice. Are free eBooks of good quality? Yes, many reputable platforms offer high-quality free eBooks, including classics and public domain works. However, make sure to verify the source to ensure the eBook credibility. Can I read eBooks without an eReader? Absolutely! Most eBook platforms offer web-based readers or mobile apps that allow you to read eBooks on your computer, tablet, or smartphone. How do I avoid digital eye strain while reading eBooks? To prevent digital eye strain, take regular breaks, adjust the font size and background color, and ensure proper lighting while reading eBooks. What the advantage of interactive eBooks? Interactive eBooks incorporate multimedia elements, quizzes, and activities, enhancing the reader engagement and providing a more immersive learning experience. Manual E Lock is one of the best book in our library for free trial. We provide copy of Manual E Lock in digital format, so the resources that you find are reliable. There are also many Ebooks of related with Manual E Lock. Where to download Manual E Lock online for free? Are you looking for Manual E Lock PDF? This is definitely going to save you time and cash in something you should think about.

Find Manual E Lock :

[crypto trading explained America 37-2858](#) [crypto trading explained USA 37-2088](#) [AI tools blueprint USA 37-321](#) [AI tools blueprint for practices for entrepreneurs 37-2450](#) [weight loss blueprint United States vehicles guide United States 37-741](#) [electric vehicles guide for creators study United States 37-1321](#) [interview tips case study for creators](#)

[37-343 AI marketing software America](#) [37-2374 AI marketing software for entrepreneurs](#) [37-2725 personal finance guide America](#) [37-289 personal](#)
37-1631 weight loss for beginners for small business **37-2420 weight loss for creators** [37-845 remote work apps America](#) [37-1899 remote work apps tools for small business](#) [37-1793 content marketing trends America](#)
business 37-1079 machine learning basics comparison USA **37-314 machine hacks step by step for creators** [37-773 productivity hacks step by step](#)
smart home tech step by step for startups **37-2404 smart home tech step tips America** [37-2740 fitness routines tips for creators](#) [37-1243 fitness](#)
37-64 online privacy review for small business **37-2364 online privacy**

Manual E Lock :

[todo primaria fichas anaya y sm tercer ciclo ep](#) - Sep 03 2022

web todo primaria fichas anaya y sm en esta página encontrarás una gran variedad de enlaces de toda la educación primaria donde encontrarás fichas de las editoriales

[capitán educación material imprimible blogger](#) - May 11 2023

web buenas tardes tendrias ev de matematica lengua de 4 primaria anaya pieza a pieza muchas gracias responder eliminar respuestas responder samsung 4 de mayo de

[soluciones lengua 4º primaria anaya pdf documents and e books](#) - Nov 24 2021

web material fotocopiable autorizado m n grupo anaya s a lengua 4 º educación primaria material fotocopiable autorizado material fotocopiable autorizado el

[anaya fichas matemáticas pdf 2023](#) - Apr 29 2022

web fichas educativas de repaso refuerzo y ampliación de matemáticas del 1º curso de educación primaria orientadas a los niños y las niñas de 6 y 7 años pertenecientes al

refuerzo consellería de educación universidade e - May 31 2022

web reuer 30 Ár fotocopiable Ár fotocopiable 4 r fecha n grupo anaya s a material fotocopiable autorizado 2 1 clasifica estas palabras en dos grupos y coloca las tildes

anaya aprender es crecer pdf matemáticas 4 primaria - Dec 06 2022

web anaya aprender es crecer pdf matemáticas 4 primaria libro completo solucionario material fotocopiable y examen descargue el libro de matemáticas de anaya

cuarto primaria anaya libros el corte inglés 112 - Feb 25 2022

web compra online en el corte inglés los mejores productos y las últimas novedades en libros cuarto primaria anaya con devolución gratis en tienda libros de material infantil

fichas matemáticas pdf infantil primaria eso bachillerato - Dec 26 2021

web colección de fichas de matemáticas educación primaria fichas matemáticas pdf selecciona un nivel educativo de educación primaria y te

el blog de cuarto fichas fotocopiables de - Aug 14 2023

web oct 22 2015 fichas fotocopiables de lengua y matemáticas de 4º del proyecto aprender es crecer en conexión de anaya material

solucionario 4 de primaria matemáticas anaya pdf 2022 - Oct 04 2022

web feb 12 2022 al descargar el libro de refuerzo de matemáticas 4 de primaria anaya tendrás acceso a los exámenes evaluaciones y ejercicios resueltos totalmente gratis el

lengua 4º anaya pdf verbo adjetivo scribd - Mar 09 2023

web grupo anaya s a lengua 4 educacin primaria material fotocopiable autorizado 4 escribe el texto siguiente formando dos prrafos el agua se hiela si la temperatura

primaria colegio mercedes colegio ntra sra de las mercedes - Mar 29 2022

web primaria nuevas actividades de refuerzo y ampliación de anaya repaso las fichas de repaso incluyen actividades que recorren los contenidos fundamentales de toda la

examen de lengua de anaya 4 primaria qn85g7x5zyn1 - Oct 24 2021

web grupo anaya s a lengua 4 º educación primaria material fotocopiable autorizado construcción capaz de flotar

cuadernillo de repaso 4º ed primaria ed anaya - Jun 12 2023

web actividades interactivas de anaya matemáticas 4º ficha de repaso de matemáticas de 2º educapeques ficha de repaso y ampliación de matemáticas de 1º ficha de repaso de

pdf 4 anaya actividades leticia cornejo academia edu - Feb 08 2023

web 4 completa el diálogo con oraciones interrogativas grupo anaya s a lengua 4 º educación primaria material fotocopiable autorizado el próximo mes de diciembre

evaluaciones de lengua 4 primaria editorial anaya - Jan 27 2022

web overview download view evaluaciones de lengua 4 primaria editorial anaya 121002104643 phpapp02 as pdf for free more details words 6 179 pages 30 preview

comprension lectora 4 primaria anaya pdf 2023 material - Aug 02 2022

web comprension lectora 4 primaria anaya pdf aqui puedes descargar e imprimir o ver online comprension lectora 4 primaria anaya pdf con todas las explicaciones paso a

actividades para educación infantil material para fotocopiar anaya - Sep 22 2021

web evaluacion inicial 3 años basada en la lomloe descargable actividades y juegos para el periodo de adaptación cartel 1 de bienvenidos imprimible fichas

primaria anaya educación - Jan 07 2023

web descubre nuestra oferta de proyectos educativos para educación primaria libros de texto materiales educativos recursos didácticos y cuadernos de refuerzo en soporte

fichas de refuerzo yo quiero aprobar - Nov 05 2022

web lengua 4º ep unidad 1 material fotocopiable 9 refuerzo enunciados y sujeto elíptico 1 nombre fecha curso unid ad 1 rodea los verbos de estos enunciados

lengua castellana 4 primaria anaya pdf 2023 material para - Apr 10 2023

web lengua castellana 4 primaria anaya pdf en esta pagina se puede consultar online o descargar lengua castellana 4 primaria anaya pdf junto con explicaciones paso a

anaya educación libros de texto material complementario y - Jul 13 2023

web anaya lleva más de cincuenta años trabajando en el sector educativo con materiales y proyectos adaptados a todas las etapas educativas y todas las áreas de conocimiento

evaluaciones de lengua 4º primaria anaya dokumen tips - Jul 01 2022

web education evaluaciones de lengua 4º primaria anaya of 30 grupo anaya s a lengua 4º educación primaria material fotocopiable autorizado nombre y apellidos

prácticas del lenguaje ortografía santillana en casa - May 31 2022

web jan 11 2023 1 11 2023 2 grado la guía santillana cuaderno de trabajo introducción la guía santillana con actividades para aprender convivir y

guía santillana 2 grado descargar segundo primaria pdf - Apr 29 2022

web informaciÓN av primavera 2160 santiago de surco contactotiendaonline santillana com call center 01 313 4000 anexo 1 whatsapp

cuaderno de trabajo la guía santillana 2 grado primaria - Mar 29 2022

web las actividades de la guía santillana 2 estan diseñadas para que desarrolles habilidades y actitudes y adquieras conocimientos que refuercen tu formacion integral cada una

segundo grado actividades de repaso santillana en casa - Aug 14 2023

web actividades para repasar 1 grado 2 grado 3 grado 4 grado 5 grado 6 grado 7 grado biblioteca de videos biblioteca de actividades primer ciclo segundo ciclo

inicio santillana en casa - Oct 04 2022

web fichas de repaso en esta sección encontrará diversos materiales de trabajo para el estudiante agrupados por área y grados para facilitar su uso

2 matemáticas santillana - Jul 01 2022

web dec 6 2021 debes tener presente que no solo podrás tener acceso al libro completo el cual incluye los ejercicios y actividades propuestos sino también tendrás la

los matematicos de 2 guías santillana - Feb 08 2023

web sep 4 2018 la editorial santillana s a nos facilita con la disposición de la guía santillana 2 para segundo grado donde encontrar toda las actividades para aprender

2 ° primaria santillana - Apr 10 2023

web la edición anota para el profesor la guía santillana 2 contiene las siguientes sugerencias didácticas explica qué se hará quién de manera individual en parejas o en equipo

resuelve con santillana 2 primaria libro de actividades - Feb 25 2022

web déjate guiar y conoce todo lo que te ofrece santillana para cada nivel educativo y área de enseñanza o filtra en el buscador avanzado volver al listado 2º matemática 2º

biblioteca de actividades santillana en casa - Sep 03 2022

web el libro matemáticas para el 2 o curso de primaria es una obra colectiva concebida diseñada y creada en el departamento de ediciones educativas de santillana

guía santillana 2 material educativo y material didáctico - May 11 2023

web cuadernos que se dirigen a la práctica sistemática de la escritura y a la mejora de la legibilidad contienen ejercicios de copia de letras palabras oraciones y textos sobre

la guía santillana 2 para profesor pdf segundo grado - Mar 09 2023

web 2 matemática los matematicos de 2 enfoque didáctico enfoque didáctico pdf documento adobe acrobat 322 9 kb
descarga posible distribución de contenidos posible

proyectos de educación infantil santillana - Oct 24 2021

guía santillana 2 2022 2023 libreriaelpuente librería el puente - Jan 27 2022

web 2 sınıfa geçen öğrenciler için yaz tatili döneminde kullanılabilircek özgün etkinlikler hazırladık 10 hafta boyunca düzenli

olaraq yayınlayacağımız etkinliklerin 1 haftasını

santillana - Dec 26 2021

web santillana ofrece diferentes propuestas y material didáctico para la educación infantil adaptados a las diferentes metodologías de trabajo proyectos educativos recursos

segundo grado página web de matemáticas santillana - Jun 12 2023

web guía santillana 2 judith cardona la guía santillana 2 primaria para profesores siempre ha sido un material educativo que ofrece información y actividades graficas y visuales

la guía santillana 2 mi escuelita de apoyo - Jan 07 2023

web actividades para repasar 1 grado 2 grado 3 grado 4 grado 5 grado 6 grado 7 grado biblioteca de videos biblioteca de actividades primer ciclo segundo ciclo

actividades para repasar santillana en casa - Nov 05 2022

web actividades para repasar 1 grado 2 grado 3 grado 4 grado 5 grado 6 grado 7 grado biblioteca de videos biblioteca de actividades primer ciclo segundo ciclo

2 guías santillana - Sep 22 2021

2 simfa geçenler için tatil etkinlikleri hafta 1 - Nov 24 2021

web integrado prácticas del lenguaje matemática ciencias matemática ciencias sociales y naturales religión conocé otras propuestas en nuestra página web

descarga la guía santillana 2 grado en pdf biblioteca del - Dec 06 2022

web actividades para repasar 1 grado 2 grado 3 grado 4 grado 5 grado 6 grado 7 grado biblioteca de videos biblioteca de actividades primer ciclo segundo ciclo

fichas de repaso repaso santillana - Aug 02 2022

web actividades para repasar 1 grado 2 grado 3 grado 4 grado 5 grado 6 grado 7 grado biblioteca de videos biblioteca de actividades primer ciclo segundo ciclo

guía santillana 2 para el alumno segundo grado 2023 - Jul 13 2023

web segundo grado imprimibles batería de actividades para imprimir y fotocopiar organizadas según los ejes numeración operaciones medida geometría y espacio actividades

french exam year 7 teaching resources - Aug 15 2023

web may 20 2023 this is an end of year exam i have prepared for my year 7 students 12 year olds topics include nationalities languages age food and drink verb regular and irre

free ks3 french revision seneca - Jun 01 2022

web aug 12 2016 whether you want to revise the perfect tense and how to talk about school life in french or learn how to talk about music in french seneca can be your personal tutor for revising french we cover everything you need to know for year 7 year 8 and year 9

year 7 french revision end of year test flashcards quizlet - Mar 10 2023

web year 7 french revision end of year test share 5 0 1 review flashcards learn test match je suis click the card to flip

french year 7 end of year revision flashcards quizlet - May 12 2023

web use this quizlet to practise for the end of year test in french learn with flashcards games and more for free
year 7 french test papers with answers pdfiller - Feb 26 2022

web a year 7 french test is an examination or assessment given to students in their seventh year of studying french the test typically assesses their knowledge and understanding of various aspects of the french language including vocabulary grammar reading comprehension listening comprehension and writing skills

french lesson units for year 7 students oak national academy - Dec 27 2021

web free online french lesson units for year 7 students skip navigation language picker teacher hub specialist subjects year 7 french units year 7 unit 1 14 lessons year 7 unit 2 14 lessons year 7 unit 3 12 lessons year 7 unit 4 10 lessons year 7 unit 5 12 lessons year 7 unit 6 14 lessons

year 7 revision booklet french ermysted s grammar - Mar 30 2022

web year 7 unit 1 c est moi liste 1 1 good morning afternoon 2 hi 3 goodbye 4 an exercise book 5 a textbook 6 a little exercise book 7 a pen 8 a pencil 9 a n interactive board 10 some glue liste 1 1 bonjour 2 salut 3 au revoir 4 un cahier 5 un livre 6 un carnet 7 un stylo 8 un crayon

ks3 fast french 30 enjoyable quizzes for years 7 8 and 9 - Jul 02 2022

web home ks3 ks3 fast french quizzes ks3 fast french quizzes enjoyable online practice of key stage 3 for children aged 11 to 14 fast and fun quizzes so you can practice french words you ll need to know to pass tests and exams with flying colours every quiz has a link at the bottom to bbc bitesize ks3 french find out about subscriptions free

ks3 french year 7 end of year revision and vocab - Apr 30 2022

web may 23 2019 this is a vocab sheet and revision activities i have put together for my year 7 french group with this resource you get eight pages document a vocab sheet 25 activities of different sorts crossword translation labeling pictures match up etc this resource covers the following topics

ks3 french bbc bitesize - Feb 09 2023

web talking about family and pets in french describing people in french using avoir and être days and months in french

telling the time in french using être talking about what you like to

year 7 french listening speaking reading writing translation - Sep 04 2022

web aug 10 2019 file previews pptx 2 12 mb this is a comprehensive set of resources to teach year 7 french any errors apologies corrected version on there now there is lots of repetition each section revisits and builds on the last

year 7 annual exam for french emmanuel college gateshead - Aug 03 2022

web what to revise you will need to revise the topics vocabulary and structures from modules 1 3 use your knowledge organisers to help you to do this you ll find a checklist below to help you in your revision module 1 likes and dislikes my survival kit describing yourself talking about other people describing a musician module 2

french end of year 7 quiz teaching resources - Jul 14 2023

web jul 18 2021 french end of year 7 quiz subject french age range 11 14 resource type game puzzle quiz file previews ppt 7 82 mb works well with year 7 and weak year 8 adapted from noemie s wonderful resource tes com teaching resource end of term quiz 6017910 a little simplified and with a printable answer sheet slide added to

year 7 french eoy assessment 2022 flashcards quizlet - Apr 11 2023

web year 7 french end of year assessment 2022 learn with flashcards games and more for free

a french end of year 7 quiz flashcards quizlet - Dec 07 2022

web a french end of year 7 quiz get a hint j ai click the card to flip i have click the card to flip 1 40

year 7 french revision end of year test flashcards quizlet - Oct 05 2022

web start studying year 7 french revision end of year test learn vocabulary terms and more with flashcards games and other study tools

y7 end of year quiz teaching resources wordwall - Jan 28 2022

web elementary school high school y7 history year 8 end of year quiz gameshow quiz by hy2 year 12 end of year quiz open the box by sarahpimm copy of end of year quiz gameshow quiz by michellexuereb7 german year 7 end of year revision match up

year 7 french end of year revision worksheet tes - Jun 13 2023

web jul 13 2017 a revision worksheet with three different tasks for year 7 french the first two activities are reading tasks gap fill and finding the errors and the second task is a writing activity translation into french this worksheet is for a high ability group but could be easily adapted for lower sets

end of year exams highams park school - Jan 08 2023

web jul 5 2019 end of year exams end of year exams year 7 exam revision pptx9mb year 7 speaking end of year exam 2019 pptx dynamo1foc m2 voclist docx last updated by mr pinel last updated 07 05 2019 more page information

end of year 7 french quiz teaching resources - Nov 06 2022

web feb 22 2018 this is an ideal resource for year 7s the quiz is suitable for small or large groups but can also be completed independently the quiz comes with a score sheet and a presentation of the answers topics included are key questions recall french culture fact file numbers crossword 1 20 family word puzzle and mystery phrase heights physical