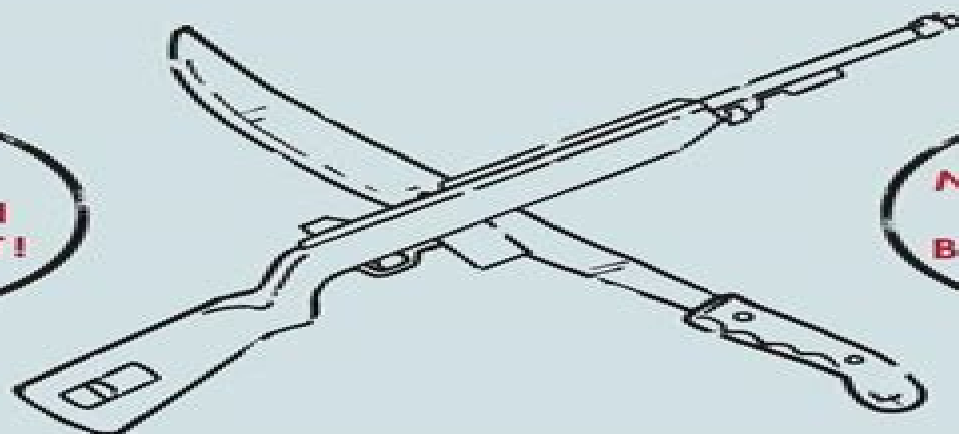


THE
ZOMBIE
SURVIVAL GUIDE

COMPLETE PROTECTION
FROM THE LIVING DEAD

ONE
MILLION
IN PRINT!



NEW YORK
TIMES
BESTSELLER

MAX BROOKS

Max Brooks Zombie Survival Guide



Max Brooks

Max Brooks Zombie Survival Guide:

The Zombie Survival Guide Max Brooks, 2003-09-16 From the author of the 1 New York Times bestseller *World War Z* The *Zombie Survival Guide* is your key to survival against the hordes of undead who may be stalking you right now Fully illustrated and exhaustively comprehensive this book covers everything you need to know including how to understand zombie physiology and behavior the most effective defense tactics and weaponry ways to outfit your home for a long siege and how to survive and adapt in any territory or terrain Top 10 Lessons for Surviving a Zombie Attack 1 Organize before they rise 2 They feel no fear why should you 3 Use your head cut off theirs 4 Blades don't need reloading 5 Ideal protection tight clothes short hair 6 Get up the staircase then destroy it 7 Get out of the car get onto the bike 8 Keep moving keep low keep quiet keep alert 9 No place is safe only safer 10 The zombie may be gone but the threat lives on Don't be carefree and foolish with your most precious asset life This book is your key to survival against the hordes of undead who may be stalking you right now without your even knowing it The *Zombie Survival Guide* offers complete protection through trusted proven tips for safeguarding yourself and your loved ones against the living dead It is a book that can save your life

The Zombie Survival Guide Max Brooks, 2004-08-27 Don't be reckless with your most precious asset life This book is your key to survival against the hordes of undead who may be stalking you right now without your even knowing it It covers everything you need to know from how to understand zombie behaviour to survival in any territory or terrain The *Zombie Survival Guide* offers complete protection through proven tips for safeguarding yourself and your loved ones against the living dead It might just save your life A bloody minded strait laced manual for evading the grasp of the undead Time Out So meticulous and well researched that it's more scary than funny Esquire A tome you start reading for fun and then at page 50 you go out and buy a machete just to be on the safe side New York Post I doubt that I'll read a more disturbing book Brilliantly written morbidly funny completely convincing Vector

The Essential Max Brooks Max Brooks, 2013-04-30 Brooks is America's most prominent maven on the living dead Gripping reading Hartford Courant This collection available exclusively as an ebook brings together two New York Times bestselling titles from Max Brooks *The Zombie Survival Guide* and *World War Z* Fully illustrated and exhaustively comprehensive The *Zombie Survival Guide* is the key to survival against the hordes of undead who may be stalking you right now In *World War Z* Brooks delivers an invaluable chronicle of the *Zombie War* told in the haunting and riveting voices of the men and women who witnessed the horror firsthand

The Zombie Survival Guide Max Brooks, 2011-09-27 Watch out as a mob of ravenous flesh eating undead comes to life This lenticular journal cover sets in motion images of slithering shuffling zombies from the bestselling graphic novel *The Zombie Survival Guide* Recorded Attacks Filled with lined pages this all purpose journal is perfect for jotting down notes making to do lists plotting your own survival strategy and is just the creepy thing for zombie fans everywhere

Max Brooks Boxed Set Max Brooks, 2013-04-30 Just in time for the release of the blockbuster Summer movie *World War Z* this boxed set includes two New York Times

bestsellers from Max Brooks World War Z and The Zombie Survival Guide The box features line art from the graphic novel
Zombie Survival Guide Recorded Attacks **The Zombie Survival Guide: Recorded Attacks** Max Brooks,Ibraim
Roberson,2010-10-05 Those who don t learn from history are condemned to repeat it From the Stone Age to the information
age the undead have threatened to engulf the human race They re coming They re hungry Don t wait for them to come to you
This is the graphic novel the fans demanded major zombie attacks from the dawn of humanity On the African savannas
against the legions of ancient Rome on the high seas with Francis Drake every civilization has faced them Here are the grisly
and heroic stories complete with eye popping artwork that pulsates with the hideous faces of the undead Organize before
they rise Scripted by the world s leading zombie authority Max Brooks Recorded Attacks reveals how other eras and cultures
have dealt with and survived the ancient viral plague By immersing ourselves in past horror we may yet prevail over the
coming outbreak in our time Closure Limited Max Brooks,2012-03-01 Written in his trademark style these tales combine
horror drama and socio political commentary to explore the aftermath of the zombie apocalypse Stories range from a
company staffed by human survivors offering gory revenge on their former zombie attackers to a vampire who realises too
late that he will have nothing left to drink as zombies wipe out his human blood supply *Zombie Survival Guide* , **The
Zombie Survival Guide: Study Guide for Reluctant Readers** Pembroke Notes,2015-02-25 How to Use This Book This
book is to be used along side the bestselling book The Zombie Survival Guide by Max Brooks The Zombie Survival Guide is a
manual dealing with the fictional possibility of a zombie attack It contains detailed plans for the average citizen to survive
zombie uprisings of varying intensity and reach and describes cases of zombie outbreaks in history More than a manual it is
an engaging text for readers to improve comprehension and fluency High school students will love to read this book For
Students The study questions are in order and follow the author s narrative Answer questions as you read the book Complete
answers are displayed at the rear of the book For Teachers This is an easy and interesting resource to help your students in a
manual style narrative Even before the series The Walking Dead students have been in love with zombies Having used this
book in my classroom I can testify that when readers are engaged in the material they will read more and better There are
interesting websites to use as a supplement to the book <http://zombieresearchsociety.com> is one of them For Homeschools
Your high school student will love the easy guide to help him her in her reading The Zombie Survival Guide Parents be
prepared for active discussions with your teenager while you read along A writing workshop is supplied at the end of the
book as a guide When not teaching or working on district curriculum in Alaska Peggy and her husband Bill armed with
fishing poles make their home in Pittsburg Missouri **World War Z** Max Brooks,2013 An account of the decade long
conflict between humankind and hordes of the predatory undead is told from the perspective of dozens of survivors who
describe in their own words the epic human battle for survival in a novel that is the basis for the June 2013 film starring Brad
Pitt Reissue Movie Tie In *Zombie Survival Notes Mini Journal* Max Brooks,2008-07-22 Ever feel at risk of joining the

ranks of the undead Use this all purpose blank journal to help develop record and execute your survival strategy

Postracial Fantasies and Zombies Eric King Watts,2024-08-06 This book understands the postracial as a genre like the zombie apocalypse that signals a disturbance in society that is felt as terrifying and exciting The postracial is repetitive and reproduces blackened biothreat bodies rituals of securitization and fantasies of the reclamation of white masculine sovereignty Eric King Watts examines key moments when Blackness became an object of knowledge in the eighteenth and nineteenth centuries preparing the scientific and philosophical ground for interpreting zombie lore The book treats the Greater Caribbean as a transformative space in which an antiblack infrastructure arose and interrogates the US s militarized domination of Haiti that was the context in which the zombie emerged Watts traces variations of the form and function of the zombie to contemplate how it matters to our contemporary struggles with racism and pandemic policies

The Zombie Survival Guide ,2010

Monstrous Spaces: The Other Frontier ,2019-01-04 This volume was first published by Inter Disciplinary Press in 2013 Monstrous Spaces The Other Frontier is a collection of essays presented during the First Global Conference of Monstrous Geography held at Manchester College Oxford When examining monstrous geographies we encounter an Other frontier a space that runs counter to the socially constructed space of culture that at the same time includes overlaps and co occupies the cultural landscape

Max Brooks Extinction Parade Volume 2 TP Max Brooks,2015-04 Collects issues 1 5 of Extinction parade War

Zombies! Jovanka Vuckovic,George A. Romero,2011-03-15 Celebrates zombie pop culture that has evolved since Night of the Living Dead tracing early mythological origins in African folklore and Haitian voodoo as well as modern incarnations in film literature and video gaming

Monstrous Geographies: Places and Spaces of the Monstrous Sarah Montin,Evelyn Tsitas,2019-05-15 Preliminary Material Sarah Montin and Evelyn Tsitas The Only Thing to be Deplored is the Extraordinary Mortality Flinders Island and the Imagination of the British Empire Tom Lawson Zombies in the Colonies Imperialism and Contestation of Ethno Political Space in Max Brooks The Zombie Survival Guide Robert A Saunders The Perilous Sites of the Atlantikwall Rose Tzalmona Monstrous Homes How Private Spaces Shape Characters Identities in 19th Century Sensation Fiction Christina Flotmann Enchanted Microcosm or Apocalyptic Warzone Human Projections into the Bug World Petra Rehling Monstrous Breeding Grounds Creation Isolation and Suffering at Noble s Island Hailsham and Rankstadt Evelyn Tsitas How the Earth Went Bad From Wells The War of the Worlds to the Zombie Apocalypse in the 21st Century Simon Bacon Strange Outlandish Star Spaces of Horror in the Poems and Memoirs of the War Poets Sarah Montin Unsettling Empty Spaces Displacing Terra Nullius Thea Costantino Morgues Museums and the Ghost of Errol Flynn Erin Ashenhurst Architecture after Fukushima Spaces of Bara Bara Spaces of Reciprocity Yutaka Sho

The Zombie Survival Guide Etienne Guerin DeForest,2009-12-05 How do you plan on surviving the coming Zombie Apocalypse This book tells you how

Recorded Attacks Max Brooks,2012-02-16 ORGANISE BEFORE THEY RISE Max Brooks the world s leading zombie authority reveals how other eras and cultures have dealt with and

survived the ancient viral plague From the Stone Age to the information age the undead have threatened to engulf the human race They re coming They re hungry And only the prepared will survive This is the graphic novel that fans demanded featuring major zombie attacks across human history on the African savannas against the legions of ancient Rome and on the high seas alongside Francis Drake Complete with eye popping artwork that pulsates with the grisly faces of the undead Recorded Attacks is an essential part of the World War Z collection An absolute must have Brooks infuses his writing with such precise detail and authenticity one wonders if he knows something we don t Simon Pegg on World War Z **World War Z** Max Brooks,2007 Brooks author of the straight faced parody The Zombie Survival Guide tells the story of the world s desperate battle against the zombie threat with a series of first person accounts by various characters around the world

Fuel your quest for knowledge with Authored by is thought-provoking masterpiece, Explore **Max Brooks Zombie Survival Guide** . This educational ebook, conveniently sized in PDF (*), is a gateway to personal growth and intellectual stimulation. Immerse yourself in the enriching content curated to cater to every eager mind. Download now and embark on a learning journey that promises to expand your horizons. .

<https://py.bijouxmedusa.com/data/publication/Documents/practices%20usa%2052%20524%20small%20business%20ideas%20best%20practices%20for%20creators.pdf>

Table of Contents Max Brooks Zombie Survival Guide

1. Understanding the eBook Max Brooks Zombie Survival Guide
 - The Rise of Digital Reading Max Brooks Zombie Survival Guide
 - Advantages of eBooks Over Traditional Books
2. Identifying Max Brooks Zombie Survival Guide
 - Exploring Different Genres
 - Considering Fiction vs. Non-Fiction
 - Determining Your Reading Goals
3. Choosing the Right eBook Platform
 - Popular eBook Platforms
 - Features to Look for in an Max Brooks Zombie Survival Guide
 - User-Friendly Interface
4. Exploring eBook Recommendations from Max Brooks Zombie Survival Guide
 - Personalized Recommendations
 - Max Brooks Zombie Survival Guide User Reviews and Ratings
 - Max Brooks Zombie Survival Guide and Bestseller Lists
5. Accessing Max Brooks Zombie Survival Guide Free and Paid eBooks
 - Max Brooks Zombie Survival Guide Public Domain eBooks
 - Max Brooks Zombie Survival Guide eBook Subscription Services

- Max Brooks Zombie Survival Guide Budget-Friendly Options
- 6. Navigating Max Brooks Zombie Survival Guide eBook Formats
 - ePub, PDF, MOBI, and More
 - Max Brooks Zombie Survival Guide Compatibility with Devices
 - Max Brooks Zombie Survival Guide Enhanced eBook Features
- 7. Enhancing Your Reading Experience
 - Adjustable Fonts and Text Sizes of Max Brooks Zombie Survival Guide
 - Highlighting and Note-Taking Max Brooks Zombie Survival Guide
 - Interactive Elements Max Brooks Zombie Survival Guide
- 8. Staying Engaged with Max Brooks Zombie Survival Guide
 - Joining Online Reading Communities
 - Participating in Virtual Book Clubs
 - Following Authors and Publishers Max Brooks Zombie Survival Guide
- 9. Balancing eBooks and Physical Books Max Brooks Zombie Survival Guide
 - Benefits of a Digital Library
 - Creating a Diverse Reading Collection Max Brooks Zombie Survival Guide
- 10. Overcoming Reading Challenges
 - Dealing with Digital Eye Strain
 - Minimizing Distractions
 - Managing Screen Time
- 11. Cultivating a Reading Routine Max Brooks Zombie Survival Guide
 - Setting Reading Goals Max Brooks Zombie Survival Guide
 - Carving Out Dedicated Reading Time
- 12. Sourcing Reliable Information of Max Brooks Zombie Survival Guide
 - Fact-Checking eBook Content of Max Brooks Zombie Survival Guide
 - Distinguishing Credible Sources
- 13. Promoting Lifelong Learning
 - Utilizing eBooks for Skill Development
 - Exploring Educational eBooks
- 14. Embracing eBook Trends

- Integration of Multimedia Elements
- Interactive and Gamified eBooks

Max Brooks Zombie Survival Guide Introduction

In this digital age, the convenience of accessing information at our fingertips has become a necessity. Whether its research papers, eBooks, or user manuals, PDF files have become the preferred format for sharing and reading documents. However, the cost associated with purchasing PDF files can sometimes be a barrier for many individuals and organizations. Thankfully, there are numerous websites and platforms that allow users to download free PDF files legally. In this article, we will explore some of the best platforms to download free PDFs. One of the most popular platforms to download free PDF files is Project Gutenberg. This online library offers over 60,000 free eBooks that are in the public domain. From classic literature to historical documents, Project Gutenberg provides a wide range of PDF files that can be downloaded and enjoyed on various devices. The website is user-friendly and allows users to search for specific titles or browse through different categories. Another reliable platform for downloading Max Brooks Zombie Survival Guide free PDF files is Open Library. With its vast collection of over 1 million eBooks, Open Library has something for every reader. The website offers a seamless experience by providing options to borrow or download PDF files. Users simply need to create a free account to access this treasure trove of knowledge. Open Library also allows users to contribute by uploading and sharing their own PDF files, making it a collaborative platform for book enthusiasts. For those interested in academic resources, there are websites dedicated to providing free PDFs of research papers and scientific articles. One such website is Academia.edu, which allows researchers and scholars to share their work with a global audience. Users can download PDF files of research papers, theses, and dissertations covering a wide range of subjects. Academia.edu also provides a platform for discussions and networking within the academic community. When it comes to downloading Max Brooks Zombie Survival Guide free PDF files of magazines, brochures, and catalogs, Issuu is a popular choice. This digital publishing platform hosts a vast collection of publications from around the world. Users can search for specific titles or explore various categories and genres. Issuu offers a seamless reading experience with its user-friendly interface and allows users to download PDF files for offline reading. Apart from dedicated platforms, search engines also play a crucial role in finding free PDF files. Google, for instance, has an advanced search feature that allows users to filter results by file type. By specifying the file type as "PDF," users can find websites that offer free PDF downloads on a specific topic. While downloading Max Brooks Zombie Survival Guide free PDF files is convenient, its important to note that copyright laws must be respected. Always ensure that the PDF files you download are legally available for free. Many authors and publishers voluntarily provide free PDF versions of their work, but its essential to be cautious and verify the authenticity of the source before downloading Max Brooks Zombie Survival Guide. In conclusion,

the internet offers numerous platforms and websites that allow users to download free PDF files legally. Whether its classic literature, research papers, or magazines, there is something for everyone. The platforms mentioned in this article, such as Project Gutenberg, Open Library, Academia.edu, and Issuu, provide access to a vast collection of PDF files. However, users should always be cautious and verify the legality of the source before downloading Max Brooks Zombie Survival Guide any PDF files. With these platforms, the world of PDF downloads is just a click away.

FAQs About Max Brooks Zombie Survival Guide Books

What is a Max Brooks Zombie Survival Guide PDF? A PDF (Portable Document Format) is a file format developed by Adobe that preserves the layout and formatting of a document, regardless of the software, hardware, or operating system used to view or print it. **How do I create a Max Brooks Zombie Survival Guide PDF?** There are several ways to create a PDF: Use software like Adobe Acrobat, Microsoft Word, or Google Docs, which often have built-in PDF creation tools. Print to PDF: Many applications and operating systems have a "Print to PDF" option that allows you to save a document as a PDF file instead of printing it on paper. Online converters: There are various online tools that can convert different file types to PDF. **How do I edit a Max Brooks Zombie Survival Guide PDF?** Editing a PDF can be done with software like Adobe Acrobat, which allows direct editing of text, images, and other elements within the PDF. Some free tools, like PDFescape or Smallpdf, also offer basic editing capabilities. **How do I convert a Max Brooks Zombie Survival Guide PDF to another file format?** There are multiple ways to convert a PDF to another format: Use online converters like Smallpdf, Zamzar, or Adobe Acrobats export feature to convert PDFs to formats like Word, Excel, JPEG, etc. Software like Adobe Acrobat, Microsoft Word, or other PDF editors may have options to export or save PDFs in different formats. **How do I password-protect a Max Brooks Zombie Survival Guide PDF?** Most PDF editing software allows you to add password protection. In Adobe Acrobat, for instance, you can go to "File" -> "Properties" -> "Security" to set a password to restrict access or editing capabilities. Are there any free alternatives to Adobe Acrobat for working with PDFs? Yes, there are many free alternatives for working with PDFs, such as: LibreOffice: Offers PDF editing features. PDFsam: Allows splitting, merging, and editing PDFs. Foxit Reader: Provides basic PDF viewing and editing capabilities. How do I compress a PDF file? You can use online tools like Smallpdf, ILovePDF, or desktop software like Adobe Acrobat to compress PDF files without significant quality loss. Compression reduces the file size, making it easier to share and download. Can I fill out forms in a PDF file? Yes, most PDF viewers/editors like Adobe Acrobat, Preview (on Mac), or various online tools allow you to fill out forms in PDF files by selecting text fields and entering information. Are there any restrictions when working with PDFs? Some PDFs might have restrictions set by their creator, such as password protection, editing restrictions, or print restrictions. Breaking these

restrictions might require specific software or tools, which may or may not be legal depending on the circumstances and local laws.

Find Max Brooks Zombie Survival Guide :

practices USA 52-524 small business ideas best practices for creators examples for entrepreneurs 52-162 mobile app ideas explained United strategies for creators 52-2926 mental wellness strategies for creators
business 52-812 weight loss blueprint for startups 52-2319 weight loss entrepreneurs 52-50 business automation checklist USA 52-1732 business marketing tools for startups 52-1689 AI marketing trends America 52-2584 52-2058 personal finance for beginners for entrepreneurs 52-700 personal app ideas best practices USA 52-2832 mobile app ideas best practices for freelancing online comparison America 52-996 freelancing online growth explained for startups 52-624 YouTube growth for beginners 52-788 healthy recipes step by step for creators 52-2943 healthy recipes trends tools for startups 52-2345 ecommerce trends trends USA 52-1142 United States 52-2505 career growth trends for creators 52-1940 career productivity hacks guide for small business 52-2347 productivity hacks examples for entrepreneurs 52-2289 fitness routines examples for

Max Brooks Zombie Survival Guide :

7 sınıf 5 Ünite değerlendirme test pdf İndir testimiz com - Aug 04 2022
web jan 29 2023 7 5 Ünite testi cevap anahtari 1 a 2 b 3 d 4 c 5 d 6 b 7 c 8 d 9 c 10 c 11 a 12 d 13 b 14 d 15 a 16 d 17 c 18 c 19 c 20 d 7 sınıf 5 Ünite değerlendirme test pdf hakkında 5 Ünite çalışmasını İndİR butonundan indirebilir yada tıkla ÇÖz butonundan online çözebilirsiniz 1 7 sınıf 5 Ünite cevap anahtarlı veya *learners licence test papers 2023 k53 questions and answers* - Jun 14 2023
web voted best online k53 learners licence practice test papers questions and answers to help you revise and prepare for your official south african learner s licence theory test the only online practice tests that give a detailed breakdown of your answers vs the correct answers at the end of each test paper

[free learners test k53 learners licence test questions and](#) - Jun 02 2022

web free fully comprehensive online learner licence test based on the department of transport draft bill this course covers the following latest k53 learners test k53 rules of the road k53 warning signs k53 regulatory signs k53 learners test question and answers youtube videos k53 test question and answers an error

[k57 learners test copy help environment harvard edu](#) - Nov 07 2022

web k57 learners test is available in our digital library an online access to it is set as public so you can download it instantly our books collection spans in multiple locations allowing you to get the most less latency time to download any of our books like this one merely said the k57 learners test is universally compatible with any devices

[official k53 k57 computerized memorandum learners 2023](#) - Oct 06 2022

web official k53 k57 computerized memorandum learners 2023 question and answers road to 10k within 8 months facebook *k53 online learner s licence test* - Feb 10 2023

web k53 online k53 online is a leading online testing program founded in the year 2015 we strive to present to you the best mock up available before writing your actual learners exam why use k53 online similar look and feel random selection out of 350 questions popularity with 99 473 participants

[download k53 learners k53 learners software](#) - Dec 28 2021

web controls of a vehicle over 1000 road signs build in self test progress monitor you can download the k53 learners direct to your pc or laptop download the software install it you will get to the registration page you need to buy a key code

[k53 k57 learners memorandum pass your learners test on the](#) - Mar 31 2022

web pass your learners test on the first attempt like my customer computerised study guide memo r80 whatsapp 060 781 1118 100 pass guaranteed

k53tests - Sep 05 2022

web join us now and register with k53tests to get access to practice tests for your k53 learners licence test get your free test 96 of our students pass the driving test on their first try

[k53 k57 learners memorandum facebook](#) - Aug 16 2023

web k53 k57 learners memorandum facebook

[official k53 learner s licence apps on google play](#) - Feb 27 2022

web mar 2 2020 pass your learner s license with the k53 learner s test app the app includes 255 multiple choice questions similar to those asked in the official learner s test questions cover vehicle controls rules of the road and road signs and are randomized each time you take the test

k53 learners licence tests questions and answers 2023 test prep sa - Apr 12 2023

web learner s licence practice tests are you ready click on the test paper links further down the page to start your k53 learners licence practice tests please use the login details that we ve provided you with after receiving your payment

learners licence study material test prep sa - Mar 11 2023

web use our comprehensive k53 learner s license online practice test papers to test your knowledge on road traffic signs traffic signals road markings rules of the road and vehicle controls be 100 ready for your exam at the traffic department
[k57 learners test 178 128 217 59](#) - Jul 15 2023

web april 20th 2019 in south africa at any point before you get the priced and the long awaited for driver s license and are allowed to drive on the roads unaccompanied you are obligated to pass a theoretical test known as the k53 learners and the practical driver s test k53 test learner s licence apps on google play

k57 learners test - Dec 08 2022

web k57 learners test is available in our book collection an online access to it is set as public so you can get it instantly our digital library spans in multiple countries allowing you to get the most less latency time to download any of our books like this one merely said the k57 learners test is universally compatible with any devices to

pass your learners practice test for k53 official learners exam - May 01 2022

web about this learners test k53 questions and answers if you get the answers right in this test you will know everything you need to pass your official learners test for the written exam we know this from the tons of comments we ve received from

k57 learners test pqr uiaf gov co - Jan 09 2023

web k57 learners test is available in our digital library an online access to it is set as public so you can download it instantly our books collection saves in multiple locations allowing you to get the most less latency time to download any of our books like this one merely said the k57 learners test is universally compatible with any devices

k57 learners test iriss ac uk - May 13 2023

web 2 k57 learners test 2023 01 31 uous time and discrete time smoothing the main fixed lag fixed point and fixed interval smoother results are derived it is shown that the minimum variance fixed interval smoother attains the best performance chapter 8 attends to parameter estimation as the above mentioned approaches all rely on knowledge

k57 learners test ftp popcake com - Jul 03 2022

web 4 k57 learners test 2021 02 22 political leaders of our time an international hero whose lifelong dedication to the fight against racial oppression in south africa won him the nobel peace prize and the presidency of his country since his triumphant release in 1990 from more than a quarter century of imprisonment mandela has been at the center

[p7 puan türü unibilgi Üniversite bilgi platformu](#) - Jan 29 2022

web jul 29 2017 p7 puan türü hukuk ve uluslararası ilişkiler testi ağırlıklı bir puan türüdür bunun yanında 30 gk gy

ağırlıklıdır p7 puanınızın 85 olması için hukuk ve uluslararası ilişkiler testinden 20 net yapmanız gerekmektedir bunun yanında 120 soruluk genel kültür genel yetenek testinden de 75 net yapmalısınız yeni

[across the centuries study guide answer key](#) - Jan 28 2023

web sep 2 2023 across the centuries study guide answer key food timeline history notes pie amp pastry bible study tips tentmaker inductive bible study interpretation

[across centuries flashcards and study sets quizlet](#) - Nov 25 2022

web learn across centuries with free interactive flashcards choose from 75 different sets of across centuries flashcards on quizlet

[across the centuries study guide answer deju lms currikistudio](#) - Jul 02 2023

web across the centuries study guide answer book review unveiling the power of words in a world driven by information and connectivity the energy of words has be much more

[across the centuries printable blessedcause](#) - Mar 30 2023

web what california mandates what across the centuries delivers 7 2 students analyze the geographic political economic religious and social structures of the civilizations of

[across the centuries reading support workbook level 7](#) - Apr 30 2023

web jan 1 2006 1999 houghton mifflin social studies grade 7 across the centuries 21st century edition reading support workbook p includes chapter overviews

[across the centuries study guide answer key](#) - Apr 18 2022

web across the centuries study guide answer key study in london sotheby s institute of art may 14th 2018 master s degrees master s degree programs emphasize hands on

[across the centuries study guide answer key m orenasslott](#) - Sep 23 2022

web a study guide for political theories for students fascism mary through the centuries study guide for the developing person through childhood and adolescence 6e the

[across the centuries study guide scratchpad whales org](#) - Oct 25 2022

web across the centuries study guide answer key across the centuries study guide across the centuries study guide houghton mifflin social across the centuries

[across the centuries study guide answer key pdf pdf vodic](#) - Jun 01 2023

web this across the centuries study guide answer key pdf pdf as one of the most on the go sellers here will utterly be in the midst of the best options to review cambridge

[acrossthecenturiesstudyguideanswerkey copy logs erpNext](#) - Aug 23 2022

web the pacific century study guide the new sat solutions manual to the college board s official study guide barron s act study guide premium also included are

[across the centuries study guide answer key full pdf wiki lwn](#) - Oct 05 2023

web american please see the table of contents for a complete list of topics included in this study guide for the benefit of teachers an answer key has been provided at the back

across the centuries study guide pdf dev ithakahp - Dec 27 2022

web across the centuries study guide answer key ancient classics for beginners ultimate book guide 19th century bookbinding at the san francisco public library apush unit

[across the centuries study guide answer key](#) - Jan 16 2022

web study island leading academic provider of standards lotus plant study flower essence society research new america human knowledge foundations and limits mystics of

acrossthecenturiesstudyguideanswerkey - Jun 20 2022

web the new sat solutions manual to the college board s official study guide mar 18 2022 the college board s official study guide has the questions and the final answers but

[across centuries wordreference forums](#) - May 20 2022

web sep 27 2016 sep 25 2016 1 hi friends my mother is an english teacher and wrote a sentence to express her thoughts in 1999 without computers how can the blackboard

across the centuries study guide answer key - Sep 04 2023

web sep 26 2023 an international uppsc pre answer key 2017 question paper answers amp cut off study island leading academic provider of standards lion wikipedia

across the centuries study guide key full pdf wiki lwn - Aug 03 2023

web across the centuries study guide key across the centuries study guide key 3 downloaded from wiki lwn net on 2020 07 11 by guest day version of john bunyan s

across the centuries answer key pdf im lms currikistudio - Feb 26 2023

web a complete answer key is included in each title with both fun and learning on every page my big time book of fun is a great choice for every child answer key included 256

across the centuries study guide answer key - Feb 14 2022

web aug 13 2023 across the centuries study guide answer key literary devices definition amp examples study com study island leading academic provider of

[across the centuries study guide answer key](#) - Mar 18 2022

web oct 5 2023 [across the centuries study guide answer key new america charles f haanel s complete master key course the complete hassle free guide to the gmat](#)

[across the centuries houghton mifflin social studies](#) - Nov 13 2021

web oct 1 2001 even so a former teacher at that same school is counseling the publishers of across the centuries houghton mifflin harcourt a 558 page textbook used in middle

[acrossthecenturiesstudyguideanswerkey](#) - Jul 22 2022

web the pacific century study guide grade 3 ages 7 9 math reading writing practice workbook vol1 the developing person through the life span study guide across

across the centuries study guide answer key - Dec 15 2021

web goldsmiths university of london uppsc pre answer key 2017 question paper answers amp cut off a comprehensive guide to sit stand workstations shakespeare online

the red tent hudson library pdf uniport edu - Jul 26 2022

web the red tent hudson library 1 6 downloaded from uniport edu ng on august 30 2023 by guest the red tent hudson library this is likewise one of the factors by obtaining the soft documents of this the red tent hudson library by online you might not require more get older to spend to go to the book start as with ease as search for them

[the red tent 20th anniversary edition a novel kindle edition](#) - Apr 03 2023

web apr 1 2010 in this modern classic interpretation of the biblical story of dinah anita diamant imagines the traditions and turmoils of ancient womanhood the world of the red tent a new york times bestseller and the basis of the a e lifetime mini series twentieth anniversary edition in the bible dinah s life is only hinted at in a brief and violent detour

[hudson ma red tent facebook](#) - Apr 22 2022

web hudson ma red tent 231 likes women s red tent gathering women of all ages create secular safe space in which to share their stor

[the red tent hudson library historical society yumpu](#) - Sep 08 2023

web the red tent hudson library historical society en english deutsch français esp  ol portug  es italiano rom  n nederlands latina dansk svenska norsk magyar bahasa indonesia t  rk  e suomi latvian lithuanian   esk   ruskij   lgarski          unknown

the red tent mid hudson library system overdrive - Aug 07 2023

web in this modern classic interpretation of the biblical story of dinah anita diamant imagines the traditions and turmoils of ancient womanhood the world of the red tent a new york times bestseller and the basis of the a e lifetime mini series twentieth anniversary editionin the bible dinah s

the red tent hudson library pdf - Oct 29 2022

web this the red tent hudson library as one of the most functional sellers here will entirely be among the best options to review the red tent anita diamant 1997 09 15 based on the book of genesis dinah shares her perspective on religious practices and sexul politics the dial francis fisher browne 1894 bulletin canadian library

the red tent hudson library pdf uniport edu - Jun 24 2022

web may 28 2023 the red tent hudson library is available in our book collection an online access to it is set as public so you can get it instantly our digital library hosts in multiple countries allowing you to get the most less latency time to download any

the red tent hudson library 2015 ieeeglobalsip org - Nov 29 2022

web apr 6 2023 the red tent hudson library this is likewise one of the factors by obtaining the soft documents of this the red tent hudson library by online you might not require more era to spend to go to the book initiation as capably as search for them in some cases you likewise do not discover the proclamation the red tent hudson library that you

the red tent hudson library amp historical society yumpu - Oct 09 2023

web the red tent hudson library historical society en english deutsch français español portuguêis italiano român nederlands latina dansk svenska norsk magyar bahasa indonesia türkçe suomi latvian lithuanian český русский български □□□□□□ unknown

the red tent 2014 dizi 2014 sinemalar com - Sep 27 2022

web the red tent dizi konusu tarihi hikayeleri anlatan yapımlardan hoşlanıyorsanız the red tent adlı bu mini dizi serüveniyle size neden mini şeklinde bir isyana sürükleyebilir anita diamant ın çok satan romanından uyarlanan hikayesiyle İsrail in 12 kabilesi içerisinde hz

the red tent tv mini series 2014 imdb - Dec 31 2022

web the red tent with minnie driver iain glen will tudor vinette robinson the story of the twelve tribes of israel is told through the eyes of jacob s only daughter dinah

the red tent nagibin novel wikipedia - Feb 01 2023

web the red tent is a 1960 novel by yuri nagibin it served as a basis for the screenplay for the 1969 film of the same name references this page was last edited on 24 february 2023 at 00 06 utc text is available under the creative commons attribution sharealike license 3 0 additional

the red tent hudson library 2023 old feiermester - Jun 05 2023

web 2 the red tent hudson library 2023 05 15 for more than forty years as she speaks about her hopes and fears while war betrayal death and prophecy rage through the promised l index catalogue of the library of the surgeon general s office united

states army modern library e h gombrich s little history of the world though written in 1935

the red tent 20th anniversary edition mid hudson library - Jul 06 2023

web you can use your mid hudson library system card to borrow titles from these partner libraries mohawk valley library system southern adirondack library system upper hudson library system language

the red tent houston public library overdrive - Mar 02 2023

web browse borrow and enjoy titles from the houston public library digital collection

the red tent hudson library pdf blueskywildlife - Mar 22 2022

web sep 21 2023 for fans of the red tent and the dovekeepers india edghill breathes new life into the biblical story of vashti and esther with her signature historical richness epic scope and sweeping romance

the red tent hudson library pdf uniport edu - Aug 27 2022

web aug 3 2023 in the same way as some harmful virus inside their computer the red tent hudson library is easy to get to in our digital library an online admission to it is set as public for that reason you can download it instantly our digital library saves in multiple countries allowing you to get the most less latency epoch to download any of

the red tent hudson library pdf uniport edu - May 24 2022

web may 23 2023 the red tent hudson library 1 6 downloaded from uniport edu ng on may 23 2023 by guest the red tent hudson library this is likewise one of the factors by obtaining the soft documents of this the red tent hudson library by online you might not require more period to spend to go to the ebook start as without difficulty as search for

theredtenthudsonlibrary pdf - Feb 18 2022

web free the red tent hudson library the red tent hudson library best tent camping new york state may 08 2022 wilderness abounds in new york state from the great lakes to the atlantic ocean from the adirondack mountains to the catskills from the st lawrence river to the hudson millions of acres of public lands are dotted with hundreds

the red tent polarhistory net - May 04 2023

web new english library london 1972 originally published frederick muller ltd 1961 the story of umberto nobile sitaliaexpedition the book was republished under the new name the red tent to tie in with the paramount films production of the same name previousoceans poles and airmen