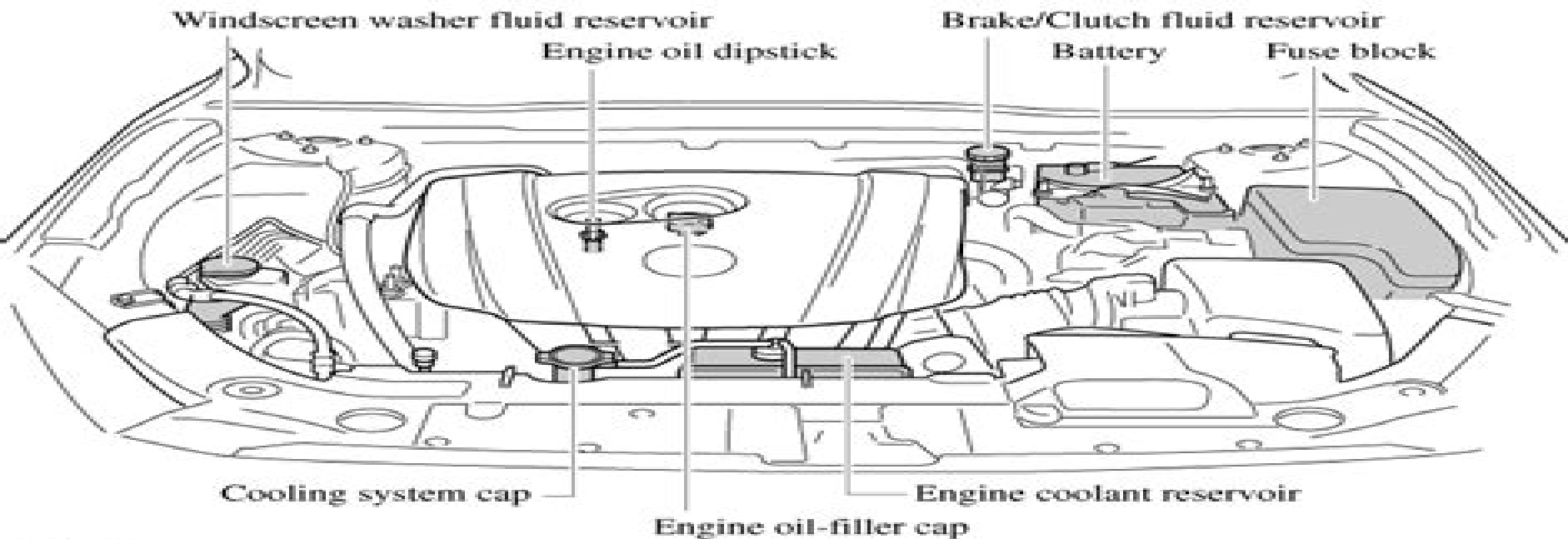
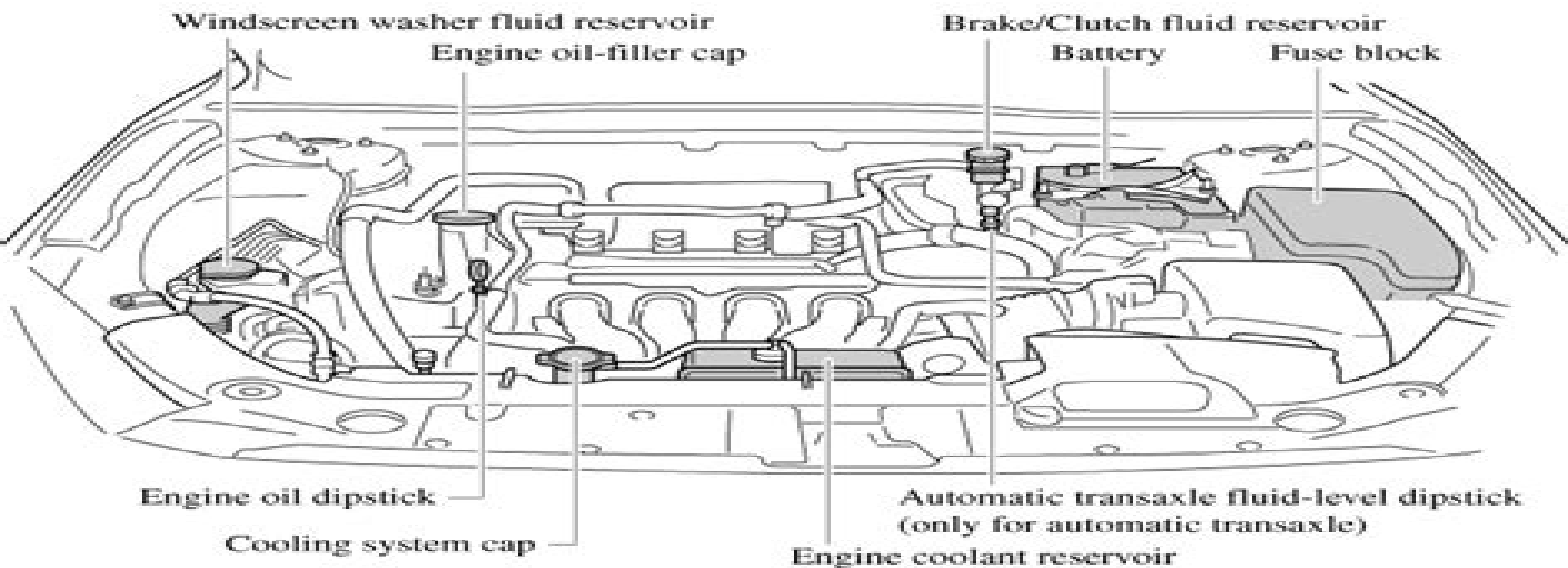


SKYACTIV-G 1.5, SKYACTIV-G 2.0, and SKYACTIV-G 2.5



MZR 1.6



Mazda 3 Engine Bay Diagram

Karin Nielsen-Saines



Mazda 3 Engine Bay Diagram:

Mazda MX-5 Miata 1.8 Enthusiast's Workshop Manual Rod Grainger,2017 This is a phenomenally detailed book which covers the car from bumper to bumper Every detail of important repair and maintenance jobs is covered Covers all Mk1 cars with pop up headlights 1 8 litre models 1994 98 the only aftermarket workshop manual available for the MX 5 written in an easy to use friendly style step by step procedures supported by hundreds of photos covers all aspects of maintenance and repair and applies equally to Eunos Roadster Japanese market model and Mazda Miata US market model *MotorBoating* ,1912-02 *Subject Guide to Books in Print* ,1984 Iron and Steel Engineer ,1924 Contains the proceedings of the Association Electrical World ,1921 **Scientific and Technical Books and Serials in Print** ,1989 **Subject Guide to Children's Books in Print 1997** Bowker Editorial Staff,R R Bowker Publishing,1996-09 Time & Tide ,1974 **Books in Print** ,1987 *Car and Driver* ,1982 **American Lumberman** ,1910 **Environment Abstracts** ,1974 *The Iron Age* ,1915 Paperbound Books in Print ,1991 **The New York Times Index** ,1997 **Mechanical World** ,1933 **Motor Cycling and Motoring** ,1960 *Books in Print Supplement* ,1985 **Motor** ,1960 Road and Track ,1976

Getting the books **Mazda 3 Engine Bay Diagram** now is not type of challenging means. You could not abandoned going later book amassing or library or borrowing from your contacts to retrieve them. This is an no question simple means to specifically get guide by on-line. This online broadcast Mazda 3 Engine Bay Diagram can be one of the options to accompany you when having additional time.

It will not waste your time. acknowledge me, the e-book will agreed circulate you further concern to read. Just invest tiny get older to admittance this on-line declaration **Mazda 3 Engine Bay Diagram** as skillfully as review them wherever you are now.

https://py.bijouxmedusa.com/About/book-search/index.jsp/45_316_Side_Hustles_Tutorial_For_Creators_45_2504_Side_Hustles_Tutorial.pdf

Table of Contents Mazda 3 Engine Bay Diagram

1. Understanding the eBook Mazda 3 Engine Bay Diagram
 - The Rise of Digital Reading Mazda 3 Engine Bay Diagram
 - Advantages of eBooks Over Traditional Books
2. Identifying Mazda 3 Engine Bay Diagram
 - Exploring Different Genres
 - Considering Fiction vs. Non-Fiction
 - Determining Your Reading Goals
3. Choosing the Right eBook Platform
 - Popular eBook Platforms
 - Features to Look for in an Mazda 3 Engine Bay Diagram
 - User-Friendly Interface
4. Exploring eBook Recommendations from Mazda 3 Engine Bay Diagram
 - Personalized Recommendations
 - Mazda 3 Engine Bay Diagram User Reviews and Ratings

- Mazda 3 Engine Bay Diagram and Bestseller Lists
- 5. Accessing Mazda 3 Engine Bay Diagram Free and Paid eBooks
 - Mazda 3 Engine Bay Diagram Public Domain eBooks
 - Mazda 3 Engine Bay Diagram eBook Subscription Services
 - Mazda 3 Engine Bay Diagram Budget-Friendly Options
- 6. Navigating Mazda 3 Engine Bay Diagram eBook Formats
 - ePub, PDF, MOBI, and More
 - Mazda 3 Engine Bay Diagram Compatibility with Devices
 - Mazda 3 Engine Bay Diagram Enhanced eBook Features
- 7. Enhancing Your Reading Experience
 - Adjustable Fonts and Text Sizes of Mazda 3 Engine Bay Diagram
 - Highlighting and Note-Taking Mazda 3 Engine Bay Diagram
 - Interactive Elements Mazda 3 Engine Bay Diagram
- 8. Staying Engaged with Mazda 3 Engine Bay Diagram
 - Joining Online Reading Communities
 - Participating in Virtual Book Clubs
 - Following Authors and Publishers Mazda 3 Engine Bay Diagram
- 9. Balancing eBooks and Physical Books Mazda 3 Engine Bay Diagram
 - Benefits of a Digital Library
 - Creating a Diverse Reading Collection Mazda 3 Engine Bay Diagram
- 10. Overcoming Reading Challenges
 - Dealing with Digital Eye Strain
 - Minimizing Distractions
 - Managing Screen Time
- 11. Cultivating a Reading Routine Mazda 3 Engine Bay Diagram
 - Setting Reading Goals Mazda 3 Engine Bay Diagram
 - Carving Out Dedicated Reading Time
- 12. Sourcing Reliable Information of Mazda 3 Engine Bay Diagram
 - Fact-Checking eBook Content of Mazda 3 Engine Bay Diagram
 - Distinguishing Credible Sources

13. Promoting Lifelong Learning
 - Utilizing eBooks for Skill Development
 - Exploring Educational eBooks
14. Embracing eBook Trends
 - Integration of Multimedia Elements
 - Interactive and Gamified eBooks

Mazda 3 Engine Bay Diagram Introduction

Free PDF Books and Manuals for Download: Unlocking Knowledge at Your Fingertips In today's fast-paced digital age, obtaining valuable knowledge has become easier than ever. Thanks to the internet, a vast array of books and manuals are now available for free download in PDF format. Whether you are a student, professional, or simply an avid reader, this treasure trove of downloadable resources offers a wealth of information, conveniently accessible anytime, anywhere. The advent of online libraries and platforms dedicated to sharing knowledge has revolutionized the way we consume information. No longer confined to physical libraries or bookstores, readers can now access an extensive collection of digital books and manuals with just a few clicks. These resources, available in PDF, Microsoft Word, and PowerPoint formats, cater to a wide range of interests, including literature, technology, science, history, and much more. One notable platform where you can explore and download free Mazda 3 Engine Bay Diagram PDF books and manuals is the internet's largest free library. Hosted online, this catalog compiles a vast assortment of documents, making it a veritable goldmine of knowledge. With its easy-to-use website interface and customizable PDF generator, this platform offers a user-friendly experience, allowing individuals to effortlessly navigate and access the information they seek. The availability of free PDF books and manuals on this platform demonstrates its commitment to democratizing education and empowering individuals with the tools needed to succeed in their chosen fields. It allows anyone, regardless of their background or financial limitations, to expand their horizons and gain insights from experts in various disciplines. One of the most significant advantages of downloading PDF books and manuals lies in their portability. Unlike physical copies, digital books can be stored and carried on a single device, such as a tablet or smartphone, saving valuable space and weight. This convenience makes it possible for readers to have their entire library at their fingertips, whether they are commuting, traveling, or simply enjoying a lazy afternoon at home. Additionally, digital files are easily searchable, enabling readers to locate specific information within seconds. With a few keystrokes, users can search for keywords, topics, or phrases, making research and finding relevant information a breeze. This efficiency saves time and effort, streamlining the learning process and allowing individuals to focus on extracting the information they need. Furthermore, the availability of free PDF books and manuals fosters a culture of continuous learning. By removing

financial barriers, more people can access educational resources and pursue lifelong learning, contributing to personal growth and professional development. This democratization of knowledge promotes intellectual curiosity and empowers individuals to become lifelong learners, promoting progress and innovation in various fields. It is worth noting that while accessing free Mazda 3 Engine Bay Diagram PDF books and manuals is convenient and cost-effective, it is vital to respect copyright laws and intellectual property rights. Platforms offering free downloads often operate within legal boundaries, ensuring that the materials they provide are either in the public domain or authorized for distribution. By adhering to copyright laws, users can enjoy the benefits of free access to knowledge while supporting the authors and publishers who make these resources available. In conclusion, the availability of Mazda 3 Engine Bay Diagram free PDF books and manuals for download has revolutionized the way we access and consume knowledge. With just a few clicks, individuals can explore a vast collection of resources across different disciplines, all free of charge. This accessibility empowers individuals to become lifelong learners, contributing to personal growth, professional development, and the advancement of society as a whole. So why not unlock a world of knowledge today? Start exploring the vast sea of free PDF books and manuals waiting to be discovered right at your fingertips.

FAQs About Mazda 3 Engine Bay Diagram Books

How do I know which eBook platform is the best for me? Finding the best eBook platform depends on your reading preferences and device compatibility. Research different platforms, read user reviews, and explore their features before making a choice. Are free eBooks of good quality? Yes, many reputable platforms offer high-quality free eBooks, including classics and public domain works. However, make sure to verify the source to ensure the eBook credibility. Can I read eBooks without an eReader? Absolutely! Most eBook platforms offer web-based readers or mobile apps that allow you to read eBooks on your computer, tablet, or smartphone. How do I avoid digital eye strain while reading eBooks? To prevent digital eye strain, take regular breaks, adjust the font size and background color, and ensure proper lighting while reading eBooks. What the advantage of interactive eBooks? Interactive eBooks incorporate multimedia elements, quizzes, and activities, enhancing the reader engagement and providing a more immersive learning experience. Mazda 3 Engine Bay Diagram is one of the best book in our library for free trial. We provide copy of Mazda 3 Engine Bay Diagram in digital format, so the resources that you find are reliable. There are also many Ebooks of related with Mazda 3 Engine Bay Diagram. Where to download Mazda 3 Engine Bay Diagram online for free? Are you looking for Mazda 3 Engine Bay Diagram PDF? This is definitely going to save you time and cash in something you should think about.

Find Mazda 3 Engine Bay Diagram :

45-316 side hustles tutorial for creators 45-2504 side hustles tutorial
for creators 45-146 mobile app ideas step by step for creators 45-2413
coding for beginners step by step for startups 45-1955 coding for
productivity hacks examples for entrepreneurs 45-1375 productivity hacks
organization explained America 45-565 home organization explained United
45-2687 passive income ideas guide for startups 45-404 passive income
States 45-1245 crypto trading software for creators 45-1803 crypto
tips examples for creators 45-2142 parenting tips explained America
loss explained for creators 45-1309 weight loss for beginners United
AI marketing step by step for startups 45-1702 AI marketing strategies
45-818 blockchain development tips USA 45-2358 blockchain development
data science careers tools for small business 45-27 data science careers
entrepreneurs 45-838 crypto trading explained United States 45-1087
marketing strategies for startups 45-1347 digital marketing tips for
entrepreneurs 45-2127 SEO strategy best practices for creators 45-625

Mazda 3 Engine Bay Diagram :

yu gi oh zexal 34 bölüm part 2 türkçe altyazılı Çizgi film - May 03 2022
jan 27 2015 yuma yu gi oh zexal anime serisi nin ana karakteridir kişisel Özellikler yuma hırslı enerjik genç bir çocuk olarak
rekabet içine girmeyi ve zor işlerde başarılı olmayı denemeyi seviyor genellikle gözünde büyüttüğü şeyleri yapmaya çalışırken
başarısız olmasına rağmen
watch full length yu gi oh episodes online - Mar 01 2022
zexal yu gi oh s 4 ep 1 duration 21 18 a new evil part 1 yu gi oh s 4 ep 2 duration 21 35 a new evil part 2 yu gi oh s 4 ep 3
duration 21 21 legend of the dragons yu gi oh s 4 ep 4 duration 21 21 the creator returns yu gi oh s 4 ep 5 duration 20 32
deja duel part 1 yu gi oh s 4 ep 6 duration 20 51 deja duel part 2 yu gi oh
yu gi oh zexal season 4 watch episodes streaming online - Feb 12 2023
streaming rent or buy yu gi oh zexal season 4 you are able to buy yu gi oh zexal season 4 on apple tv as download
watch full length yu gi oh episodes online - Nov 09 2022

yu gi oh zexal s 3 ep 45 duration 21 23 the future of three worlds yu gi oh zexal s 3 ep 44 duration 21 36 the battle of three worlds yu gi oh zexal s 3 ep 43 duration 21 03 the fate of three worlds

zexal power yu gi oh wiki fandom - Jul 05 2022

zexal 𐄂𐄂 zearu is a miraculous force from the astral world in the yu gi oh zexal anime that is called upon by yuma tsukumo and astral combining them into a single being while being utilized the wielder is capable of performing the shining draw which allows them to create and draw cards

iv d team yu gi oh wiki fandom - Jan 31 2022

iv IV 𐄂𐄂 fō is a alternate incarnation of quattro a character from the yu gi oh zexal anime appearing in the yu gi oh d team zexal spin off manga he is currently the asian champion iv challenged team zexal as they were the winners of the team duel tournament where he easily managed to defeat tetsuo and takashi after winning he made fun of them

yu gi oh go rush wikipedia - Apr 02 2022

on december 17 2021 tv tokyo announced that yu gi oh go rush would premiere on april 3 2022 on tv tokyo and bs tv tokyo with key staff members from yu gi oh sevens returning for their respective positions nobuhiro kondo is directing the series at bridge toshimitsu takeuchi is in charge of series scripts and kazuko tadano and hiromi matsushita

yu gi oh zexal 4 bölüm türkçe altyazılı Çizgi film - Aug 18 2023

jan 27 2015 kabul ediyorum yuma yu gi oh zexal anime serisi nin ana karakteridir kişisel Özellikler yuma hırslı enerjik genç bir çocuk olarak rekabet içine girmeyi ve zor işlerde b

yu gi oh zexal 34 bölüm part 1 türkçe altyazılı Çizgi film - Sep 07 2022

jan 27 2015 yuma yu gi oh zexal anime serisi nin ana karakteridir kişisel Özellikler yuma hırslı enerjik genç bir çocuk olarak rekabet içine girmeyi ve zor işlerde b

yu gi oh zexal vikipedi - May 15 2023

yu gi oh zexal japonca 𐄂 𐄂 zexal romanize yūgiō zearu shin yoshida tarafından yazılan bir manga serisidir seri aralık 2010 haziran 2015 tarihleri arasında shueisha nın v jump dergisinde dokuz tankōbon cilt halinde yayınlandı

yu gi oh zexal wikipedia - Jan 11 2023

the first yu gi oh zexal sound duel 1 was released on september 28 2011 the second yu gi oh zexal sound duel 2 was released on september 19 2012 the third yu gi oh zexal sound duel 3 was released on may 15 2013 the fourth yu gi oh zexal sound duel 4 was released on november 13 2013 the fifth yu gi oh

yu gi oh zexal izle türkçe anime izle anizle - Sep 19 2023

yu gi oh serisinin 4 sezonuna karşılık gelen yapımdır yeni serimizin kahramanı yuma tsukumo her zaman meydan okumaya açık olan bir orta birinci sınıf öğrencisidir başına gelen bazı olaylar sebebiyle kendini okulun çete liderlerinin en büyüğü

shark ile düelloda bulur

yu gi oh wikpedi - Dec 10 2022

yu gi oh zexal 2011 2014 dördüncü anime serisidir 148 bölümden oluşur xyz canavarları oyuna tanıtılır bkz yu gi oh zexal yu gi oh arc v 2014 2018 beşinci anime serisidir 220 bölümden oluşur pendulum canavarları ve pendulum kartı bölgelerini oyuna tanıtır

quattro yu gi oh wiki fandom - Mar 13 2023

quattro known as iv in the japanese version four in the italian version and born thomas arclight is a character appearing in the yu gi oh zexal anime he is a number hunter of the vetrix family and the current asian duel champion

zexal nyaa - Jul 17 2023

uraharashop yu gi oh zexal ii 31 104 mkv 463 4 mib 2013 07 04 14 57 0 0 0 ygo yu gi oh zexal ii 022 95 b654558b mkv 499 1 mib 2013 03 17 15 13 0 0 0 ozzc yu gi oh zexal 06 h264 480 720p 584 0 mib 2011 05 29 05 04 0 0 0 yu gi oh zexal 136 sub latino znf 180 1 mib 2014 02 09 14 50 0 0 0

official yu gi oh site watch full length yu gi oh episodes online - Aug 06 2022

the official site for all things yu gi oh watch full episodes from all four animated series get the latest news and find everything you would want to know about the characters cards and monsters of yu gi oh

yu gi oh zexal tv series 2011 2014 imdb - Jun 04 2022

rate animation action comedy yuma tsukumo must team up with an ethereal being connected to an ancient relic left to him by his parents in order to collect 99 number cards doing so will restore the lost memories of this being giving them the

yu gi oh zexal yu gi oh wiki fandom - Apr 14 2023

yu gi oh zexal sound duel 1 was released on september 28 2011 yu gi oh zexal sound duel 2 was released on september 19 2012 yu gi oh zexal sound duel 3 was released on may 15 2013 yu gi oh zexal sound duel 4 was released on november 13 2013 yu gi oh zexal sound duel 5 was released on november 19 2014 episodes

yu gi oh zexal tv series 2011 2014 episode list imdb - Oct 08 2022

s4 e4 rule duel october 28 2012 ray nominates yuma to run against caswell for the position of class representative but when the ray way takes a turn for the worse yuma finds himself facing off against a student council president who s been corrupted by the barians 6 6 10

list of yu gi oh zexal episodes wikipedia - Jun 16 2023

zexal ㊦ ㊦ ㊦ zexal ㊦㊦㊦ yūgiō zearu is the fourth spin off anime series in the yu gi oh franchise and the sixth anime series overall by nihon ad systems and tv tokyo it is directed by satoshi kuwahara and produced by studio gallop the series aired in japan on tv tokyo between april 11 2011 and september 24 2012 a second series yu gi oh

oral medicine unit - May 06 2022

web the pathologist will then send a report to the surgeon who will discuss the findings and options for further treatment with the patient in some cases a second biopsy may be

oral medicine and pathology canberra surgicentre - Jan 02 2022

oral surgery oral medicine oral pathology and oral radiology - Jul 08 2022

web clinical oral medicine and pathology high altitude medicine and pathology oct 21 2021 this is a beautifully written and illustrated account of the problems of coping with

clinical oral medicine and pathology springerlink - Oct 23 2023

web clinical oral medicine and pathology second edition will continue to serve as an authoritative contemporary resource for clinicians seeking guidance in the diagnosis and

clinical oral medicine and pathology amazon com - May 18 2023

web oral medicine can be a tricky discipline fraught with challenging patients to manage particularly those with chronic conditions conversely the diagnostic challenges make for

clinical oral medicine and pathology softcover abebooks - Jun 07 2022

web nov 14 2023 background minor salivary glands can be found in the ventral and anterior part of the tongue these glands can rarely develop mucoceles that due to their rarity

duke nus academic clinical programme acp - Mar 16 2023

web aug 13 2021 outline of diagnostic steps and procedures employed in oral pathology and oral medicine pages 453 458

oral medicine and pathology at a glance 2nd edition wiley - Oct 11 2022

web clinical oral medicine and pathology is a clinically relevant and accessible resource for health care professionals that truly bridges the worlds of dentistry and medicine this

tongue mucoceles a retrospective clinic pathological evaluation - Feb 03 2022

web the ohio state university wexner medical center department of otolaryngology head and neck surgery has been a distinct academic department since its inception this long

clinical oral medicine and pathology google books - Aug 21 2023

web jan 1 2017 clinical oral medicine and pathology january 2017 authors jean m bruch nathaniel treister download citation citations 26 abstract following on the favorable

oral and maxillofacial pathology harvard school of - Feb 15 2023

web oral medicine and pathology at a glance 2nd edition offers a comprehensive overview of essential aspects of oral

medicine and pathology with an emphasis on oral health

clinical oral medicine and pathology google books - Dec 13 2022

web jun 27 2019 clinical oral medicine and pathology second edition will continue to serve as an authoritative contemporary resource for clinicians seeking guidance in the

clinical oral medicine and pathology cyberlab sutd edu sg - Mar 04 2022

web dental clinic in singapore our mission is to provide honest and comfortable dental services for the individual and his or her family established since 1971 lam dental surgery is

home smiledoctor - Dec 01 2021

clinical oral medicine and pathology springerlink - Sep 22 2023

web nov 11 2009 clinical oral medicine and pathology is a clinically relevant and accessible resource for health care professionals that truly bridges the worlds of dentistry

delineating the scope of oral pathology and microbiology present - Sep 10 2022

web oral medicine is a dental specialty dealing with oral health care of patients with medically related disorders in the oral and maxillofacial regions it involves the diagnosis and

clinical oral medicine and pathology semantic scholar - Apr 05 2022

web smile doctor clinic is a modern dental clinic specialized in advanced diagnostics and treatment of dental and oral disorders we offer comprehensive services from all fields of

[clinical oral medicine and pathology researchgate](#) - Jun 19 2023

web clinical training in oral and maxillofacial pathology includes two components diagnostic histopathology and patient care students receive rigorous histopathology training in

dental clinic in singapore dentist dental surgery - Oct 31 2021

clinical oral medicine and pathology researchgate - Apr 17 2023

web oct 21 2016 clinical oral medicine and pathology second edition will continue to serve as an authoritative contemporary resource for clinicians seeking guidance in the

otolaryngology department ohio state college of medicine - Sep 29 2021

clinical oral medicine and pathology 2nd edition - Aug 09 2022

web nov 11 2009 clinical oral medicine and pathology j bruch n treister published 11 november 2009 medicine tldr a

comparison of normal and common benign

journal of oral pathology medicine wiley online - Jul 20 2023

web jan 1 2010 clinical oral medicine and pathology is a clinically relevant and accessible resource for health care professionals that truly bridges the worlds of dentistry and

oral medicine and oral pathology oxford assess and progress - Jan 14 2023

web oral pathology oral and maxillofacial pathology head and neck pathology is a specialized field of pathology dealing with the diseases of oral cavity and its associated

handbook of oral pathology and oral medicine wiley online - Nov 12 2022

web read the latest articles of oral surgery oral medicine oral pathology and oral radiology at sciencedirect com elsevier s leading platform of peer reviewed scholarly

una piccola voce copertina flessibile 16 giugno 2014 amazon it - Aug 15 2023

web la drammatica cronaca della vita e della deportazione degli internati ebrei dal campo di transito olandese di westerbork verso auschwitz nell ultima lettera di etty hillesum la cui piccola voce risuona alta ieri per l oggi nell invitare alla fratellanza e alla speranza nei valori dell uomo

una voce poco fa amelita galli curci cleaned by maldoror - Dec 27 2021

web nov 1 2012 rossini il barbiere di sivilgia the barber of seville amelita galli curci coloratura soprano 1882 1963 lyrics una voce poco faa voice has justqui nel c

una piccola voce by etty hillesum goodreads - Jul 14 2023

web jan 1 2014 la drammatica cronaca della vita e della deportazione degli internati ebrei dal campo di transito olandese di westerbork verso auschwitz nell ultima lettera di etty hillesum la cui piccola voce risuona alta ieri per l oggi nell invitare alla fratellanza e alla speranza nei valori dell uomo

la piccola grande voce su rai premium trama cast finale - Jan 28 2022

web nov 20 2019 la piccola grande voce trama la trama del film è incentrata su benedict un bambino di quasi 10 anni siamo nel 1955 e il piccolo cresce con i nonni in un villaggio della bassa austria È

una piccola voce ediz illustrata libreria universitaria - Mar 10 2023

web una favola sulla timidezza e sul coraggio che racconta differenze e affinità un leone sonnacchia tranquillo dopo un pasto abbondante quando una mosca curiosa si avvicina

valzerino una piccola voce youtube - Dec 07 2022

web provided to youtube by o2digitalevalzerino una piccola voce anna laura longo andrea amendola l ombra della voce taukayreleased on 2010 05 03auto gener

la piccola grande voce 2015 kleine grosse stimme - Mar 30 2022

web dec 7 2020 la piccola grande voce è un film di genere drammatico realizzato in austria nel 2015 ed è stato distribuito direttamente in televisione e nel settore dell home video con titolo originale kleine grosse stimme

una piccola voce translation in english reverso - May 12 2023

web una piccola voce translation in italian english reverso dictionary see also picco picca piccolo piccolezza examples definition conjugation translation context spell check synonyms conjugation

translation of piccola voce in english reverso context - Sep 04 2022

web translations in context of piccola voce in italian english from reverso context io sono la ferma e piccola voce che tuona nella notte

la fotonotizia la fotografia è una piccola voce ma a volte può - Jul 02 2022

web sep 14 2023 la fotografia è una piccola voce ma a volte può risvegliare la nostra coscienza eugene smith

la piccola grande voce 2015 filmtv it - Apr 30 2022

web benedict che dopo la morte della madre è cresciuto con i nonni in campagna sogna di far parte dei piccoli cantori di vienna riesce nel suo intento ma nonostante l aiuto del maestro di cappella max si rende presto conto come sia finito in un universo dominato dalla competizione in cui i nuovi arrivati non hanno vita facile

little voice la recensione movieplayer it - Jan 08 2023

web jul 10 2020 la piccola voce del titolo è quella di bess a cui presta volto e voce brittany o grady già vista in star della fox bess è un po la felicity musicale di abrams una ventenne che

una piccola voce amazon com br - Jun 01 2022

web compre online una piccola voce de hillesum etty degani f merx i na amazon frete grátis em milhares de produtos com o amazon prime encontre diversos livros em inglês e outras línguas com ótimos preços

una piccola voce bambini store - Nov 06 2022

web una piccola voce una favola sulla timidezza e sul coraggio che racconta differenze e affinità un leone sonnecchia tranquillo dopo un pasto abbondante quando una mosca curiosa si avvicina per fare amicizia cos hanno in comune un piccolo insetto e il re della savana isbn 9791280792099età di lettura da 4 annipagine

traduzione di una piccola voce in inglese reverso context - Feb 09 2023

web traduzioni in contesto per una piccola voce in italiano inglese da reverso context una piccola voce che chiede al sistema moda di correggere se stesso traduzione context correttore sinonimi coniugazione

una piccola voce mangialibri dal 2005 mai una dieta - Aug 03 2022

web dopo una notte come questa l ennesima notte di deportazione verso i campi di lavoro o peggio ancora verso i campi di

sterminio tedeschi sarà difficile sorridere ancora così come dopo aver visto i volti impassibili dei militari che compongono il plotone armato di accompagnamento dei deportati sarà difficile tornare ad accettare

translation of una piccola voce in english reverso context - Jun 13 2023

web translations in context of una piccola voce in italian english from reverso context ma fece una piccola voce alzando la mano

valzerino una piccola voce song and lyrics by andrea spotify - Apr 11 2023

web listen to valzerino una piccola voce on spotify andrea amendola anna laura longo song 2010

la piccola grande voce film 2015 comingsoon it - Oct 05 2022

web la piccola grande voce è un film di genere drammatico del 2015 diretto da wolfgang murnberger con wainde wane e david rott durata 90 minuti distribuito da ard home film 2015 la

una piccola translation into english reverso context - Feb 26 2022

web translation of una piccola in english stava cercando una piccola usb rossa he was looking for small red drive credo dovremmo prima fare una piccola ricerca well i think i may need to do a little research first fanno consegne a una piccola fabbrica they deliver to some kind of small chemical plant